



US00D772035S

(12) **United States Design Patent** (10) **Patent No.:** **US D772,035 S**
Jones (45) **Date of Patent:** **** Nov. 22, 2016**

(54) **HATCHET WITH LARGE HOLE ON THE BLADE**

(71) Applicant: **FREMONT KNIVES**, Lander, WY (US)

(72) Inventor: **Michael Jones**, Lander, WY (US)

(73) Assignee: **FREMONT KNIVES**, Lander, WY (US)

(**) Term: **15 Years**

(21) Appl. No.: **29/531,303**

(22) Filed: **Jun. 24, 2015**

(51) **LOC (10) Cl.** **08-02**

(52) **U.S. Cl.**
USPC **D8/76**

(58) **Field of Classification Search**
USPC D8/75, 76, 77, 78, 79, 80, 81, 105, 88,
D8/89, 98; D22/118
CPC B25F 1/00; B25F 1/02; B25F 1/006;
A62B 3/05; B26B 23/00; B26B 3/06
See application file for complete search history.

(56) **References Cited**

U.S. PATENT DOCUMENTS

| | | | |
|---------------|---------|---------------|----------------------|
| D195,411 S | 6/1963 | Henry | |
| 4,363,147 A * | 12/1982 | Deweese | B25F 1/00 7/158 |
| 4,546,510 A * | 10/1985 | Harrison | B26B 23/00 30/151 |
| 4,729,150 A | 3/1988 | Breaux et al. | |

| | | | |
|---------------|---------|----------------|-----------------------|
| D299,414 S * | 1/1989 | Bajza | D8/105 |
| 4,817,221 A * | 4/1989 | Ryan | B25F 1/02 30/123.7 |
| D318,896 S * | 8/1991 | Crain | D22/117 |
| D356,020 S | 3/1995 | Costa | |
| D409,270 S * | 5/1999 | Balolia | D22/118 |
| D417,630 S | 12/1999 | Erlandson | |
| D523,516 S | 6/2006 | Jackson et al. | |
| D538,881 S | 3/2007 | Jackson et al. | |
| D593,833 S * | 6/2009 | Newhall | D8/76 |
| D696,917 S * | 1/2014 | Robley | D8/76 |
| D707,789 S | 6/2014 | Jones | |
| D732,365 S * | 6/2015 | Oddy | D8/76 |
| D753,456 S * | 4/2016 | Kao | D8/81 |

* cited by examiner

Primary Examiner — Phillip S Hyder

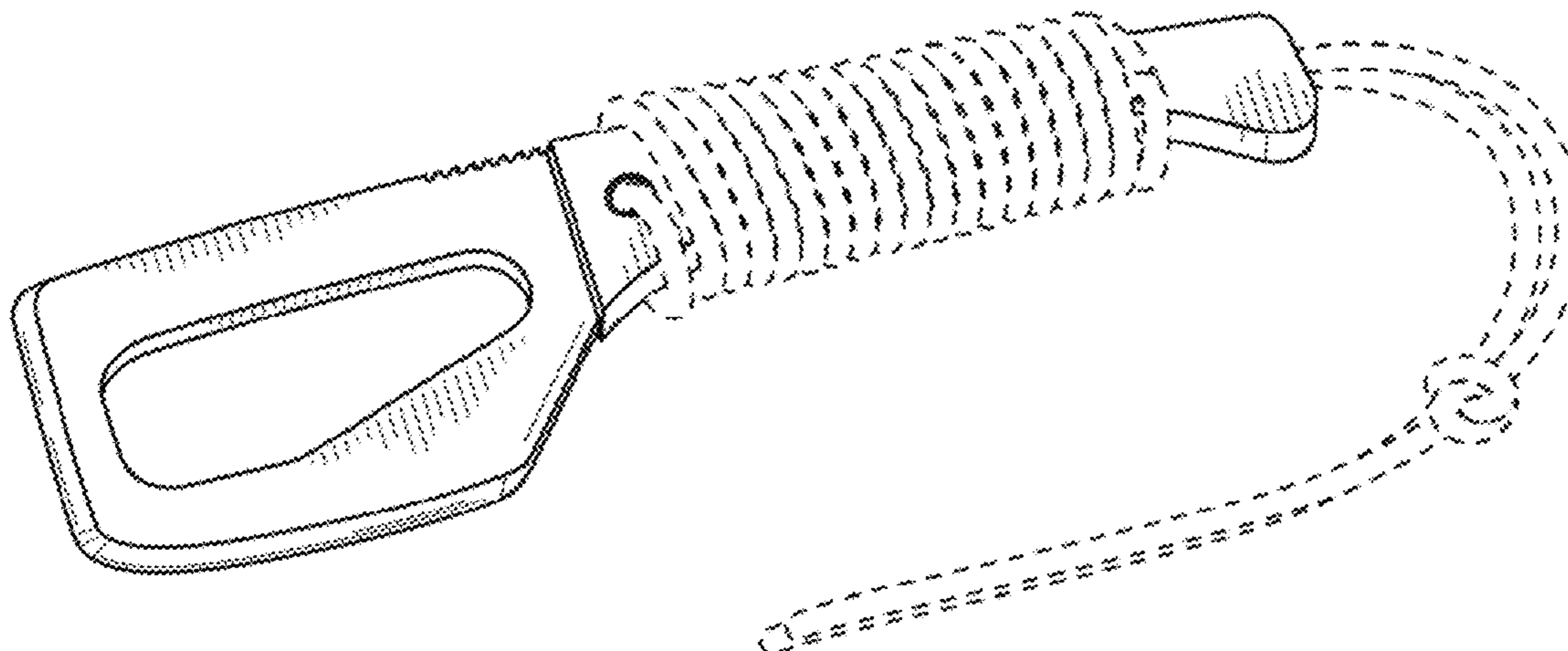
(57) **CLAIM**

The ornamental design for a hatchet with large hole on the blade, as shown and described.

DESCRIPTION

FIG. 1 is a perspective view of a hatchet with large hole on the blade showing my new design;
FIG. 2 is a front view, the rear view being a mirror image thereof;
FIG. 3 is a side view thereof;
FIG. 4 is an opposite side view thereof;
FIG. 5 is a top view thereof; and,
FIG. 6 is a bottom view thereof.
The broken line showing of the cord wrapped handle in FIG. 1 is provided for purposes of environment and forms no part of the claimed design.

1 Claim, 2 Drawing Sheets



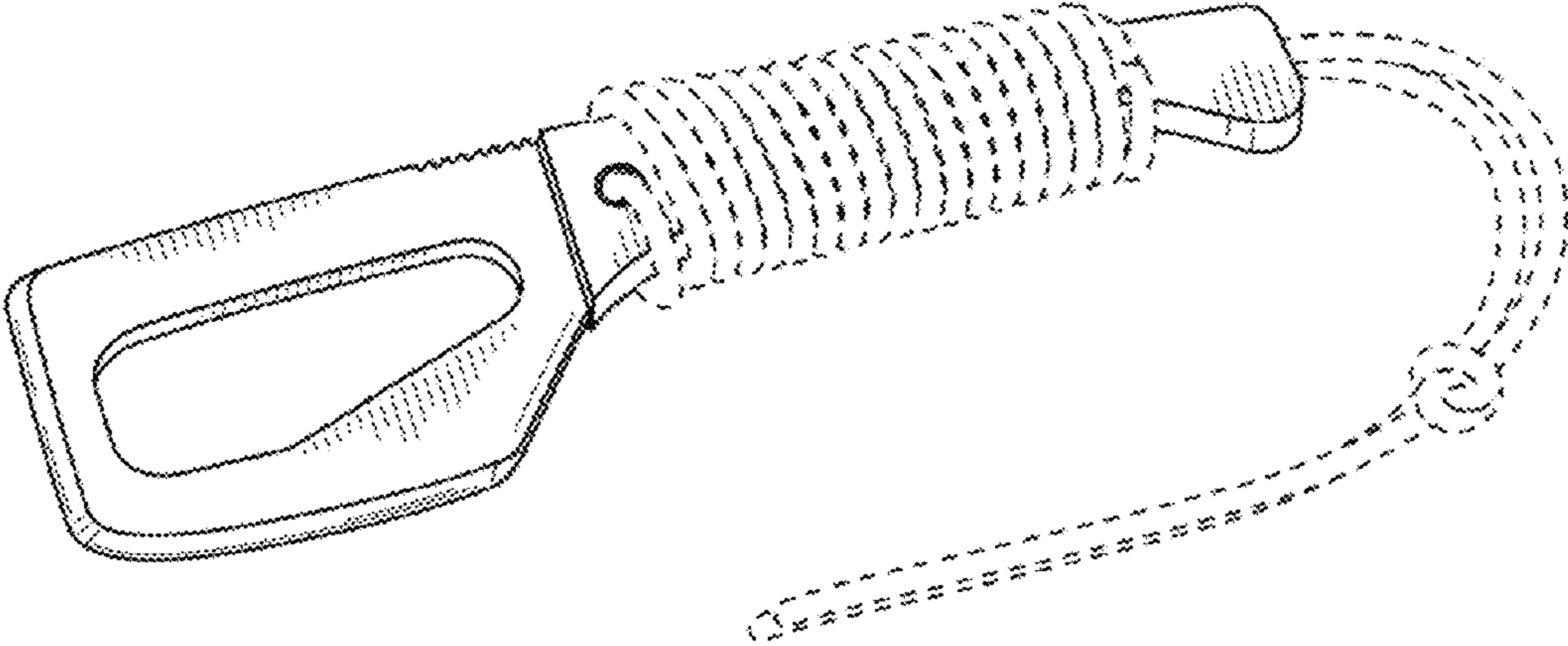


FIG. 1

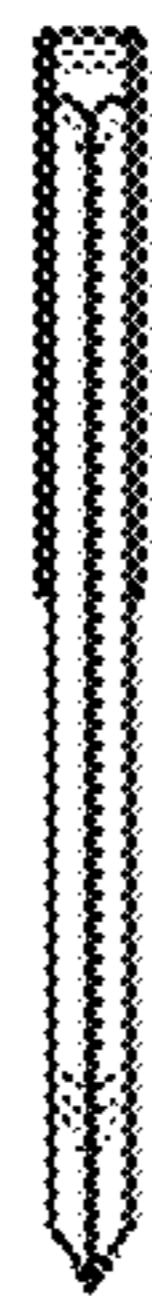
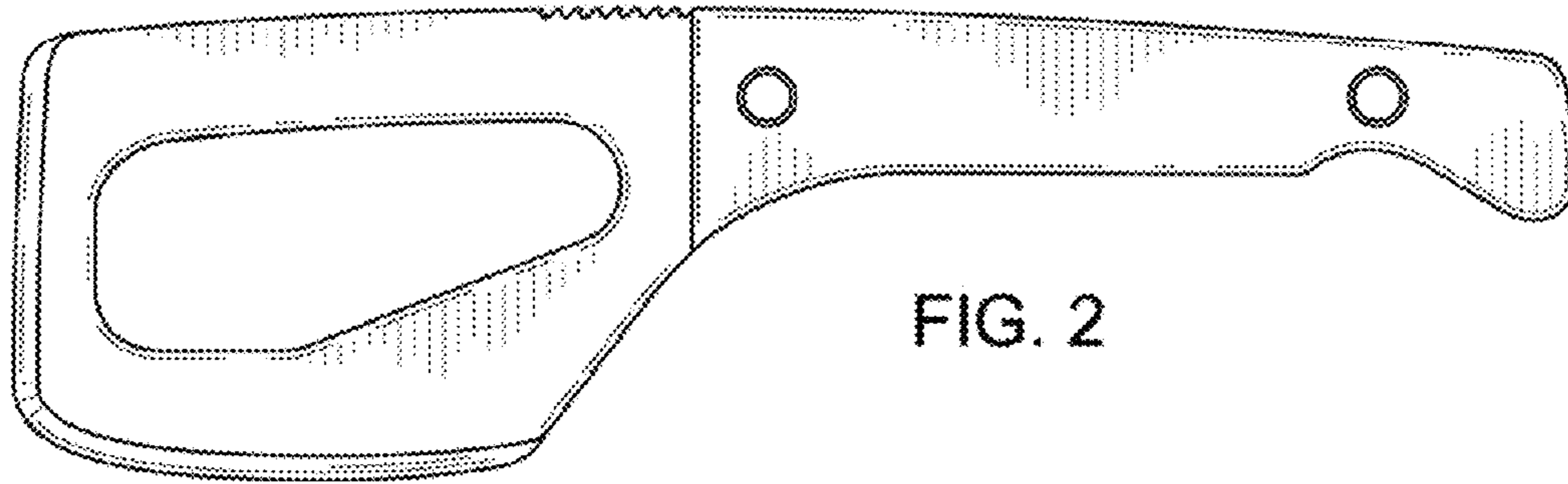


FIG. 3



FIG. 4



FIG. 5

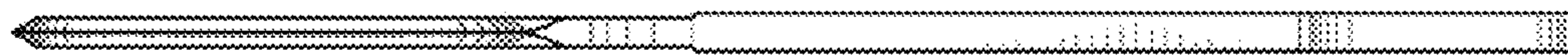


FIG. 6