



US00D772033S

(12) **United States Design Patent**
Groten

(10) **Patent No.:** **US D772,033 S**

(45) **Date of Patent:** **** Nov. 22, 2016**

(54) **PLIERS**
(71) Applicant: **Orbis Will GmbH & Co., KG**, Ahaus (DE)
(72) Inventor: **Andreas H. Groten**, Ahaus (DE)
(73) Assignee: **Orbis Will GmbH & Co., KG** (DE)
(**) Term: **14 Years**
(21) Appl. No.: **29/493,437**

2003/0177587 A1* 9/2003 Wang H02G 1/1214
7/107
2006/0130343 A1* 6/2006 Simcoe B23D 29/023
30/175
2013/0227842 A1* 9/2013 Takahashi B23D 29/02
30/193

* cited by examiner

Primary Examiner — Deanna L Pratt

(74) *Attorney, Agent, or Firm* — Bohan Mathers, LLC;
Patricia Mathers; Jeffrey Joyce

(22) Filed: **Jun. 10, 2014**
(51) **LOC (10) Cl.** **08-05**
(52) **U.S. Cl.**
USPC **D8/52**
(58) **Field of Classification Search**
USPC D8/4, 5, 51–60, 105, 107
CPC B26B 17/02; B25B 7/12; B25B 7/00;
B23D 29/023
See application file for complete search history.

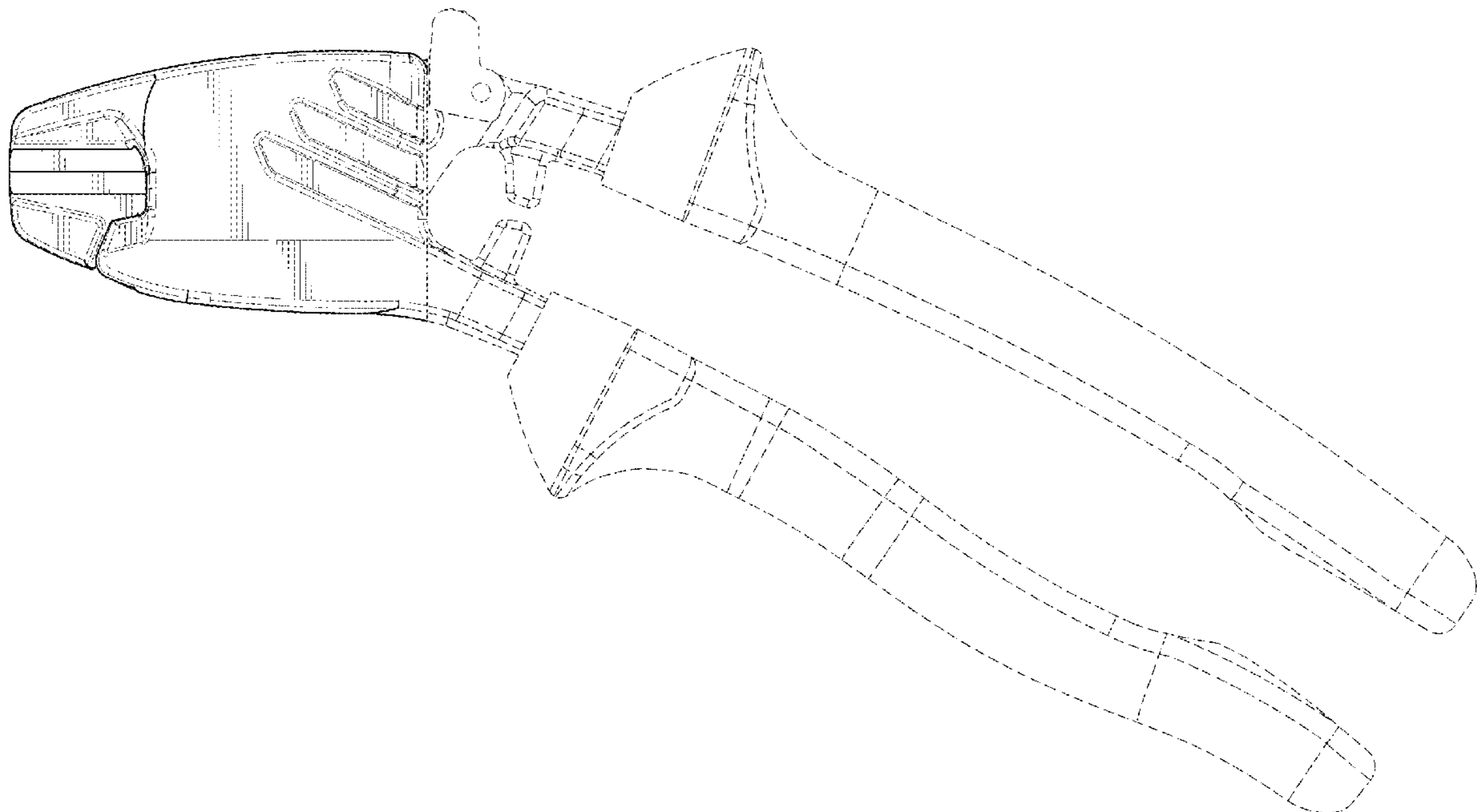
(57) **CLAIM**
The ornamental design for pliers, as shown and described.

DESCRIPTION

FIG. 1 is a perspective view of the pliers.
FIG. 2 is a front plan view of the pliers.
FIG. 3 is a rear elevation view of the pliers.
FIG. 4 is a rear plan view of the pliers.
FIG. 5 is a front elevation view of the pliers.
FIG. 6 is a top plan view of the pliers; and,
FIG. 7 is a bottom plan view of the pliers.
The evenly-spaced broken lines in the drawings illustrate portions of the pliers that form no part of the claimed design. The unevenly-spaced broken lines in the drawings illustrate the bounds of the claimed design and form no part thereof.

(56) **References Cited**
U.S. PATENT DOCUMENTS
D648,995 S * 11/2011 Chang D8/52
D650,648 S * 12/2011 Groten D8/52
D650,649 S * 12/2011 Groten D8/52
D728,336 S * 5/2015 Bowles D8/52
D740,633 S * 10/2015 Descombes D8/52
9,296,116 B2 * 3/2016 Descombes A01G 3/0251

1 Claim, 5 Drawing Sheets



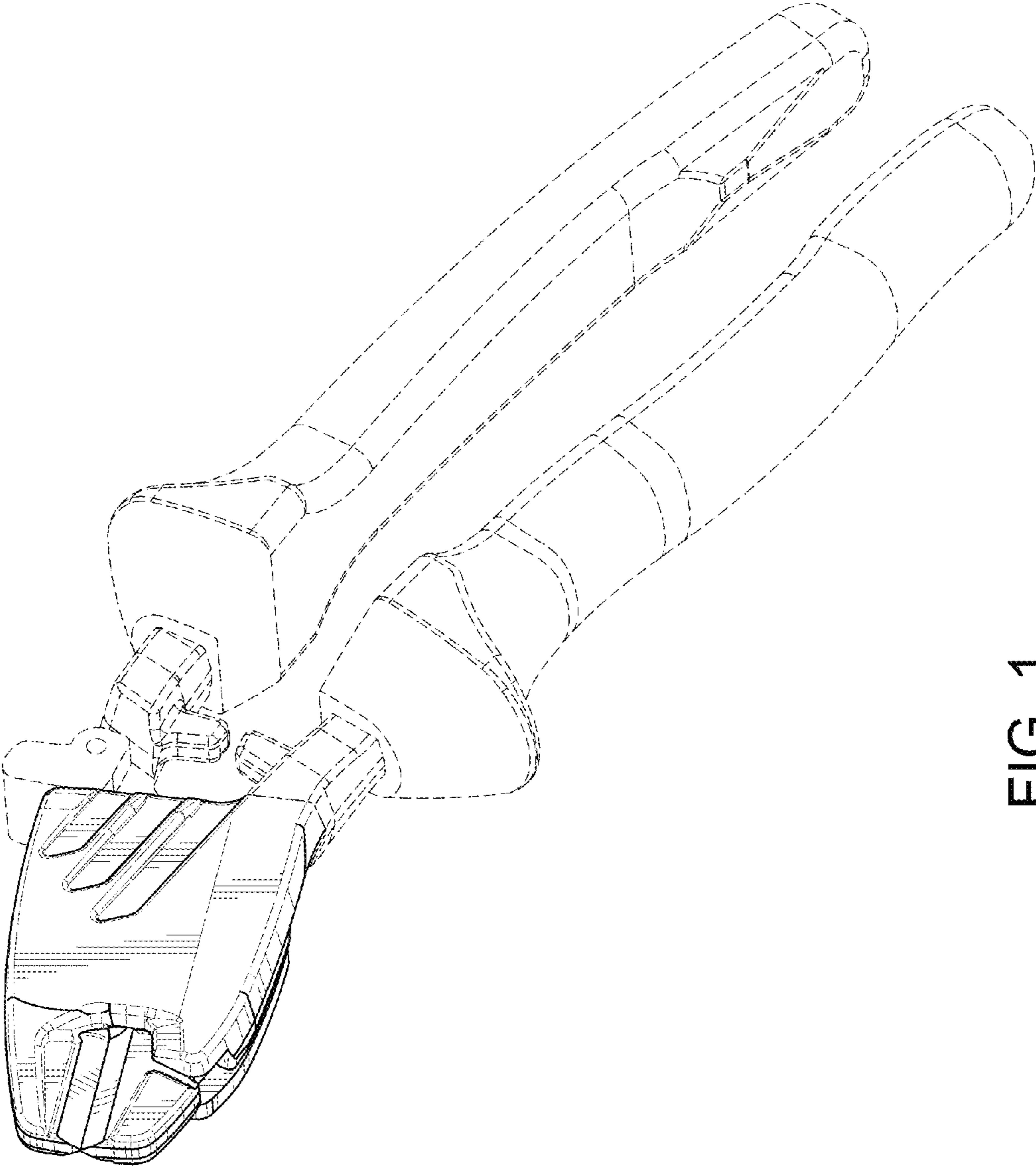


FIG. 1

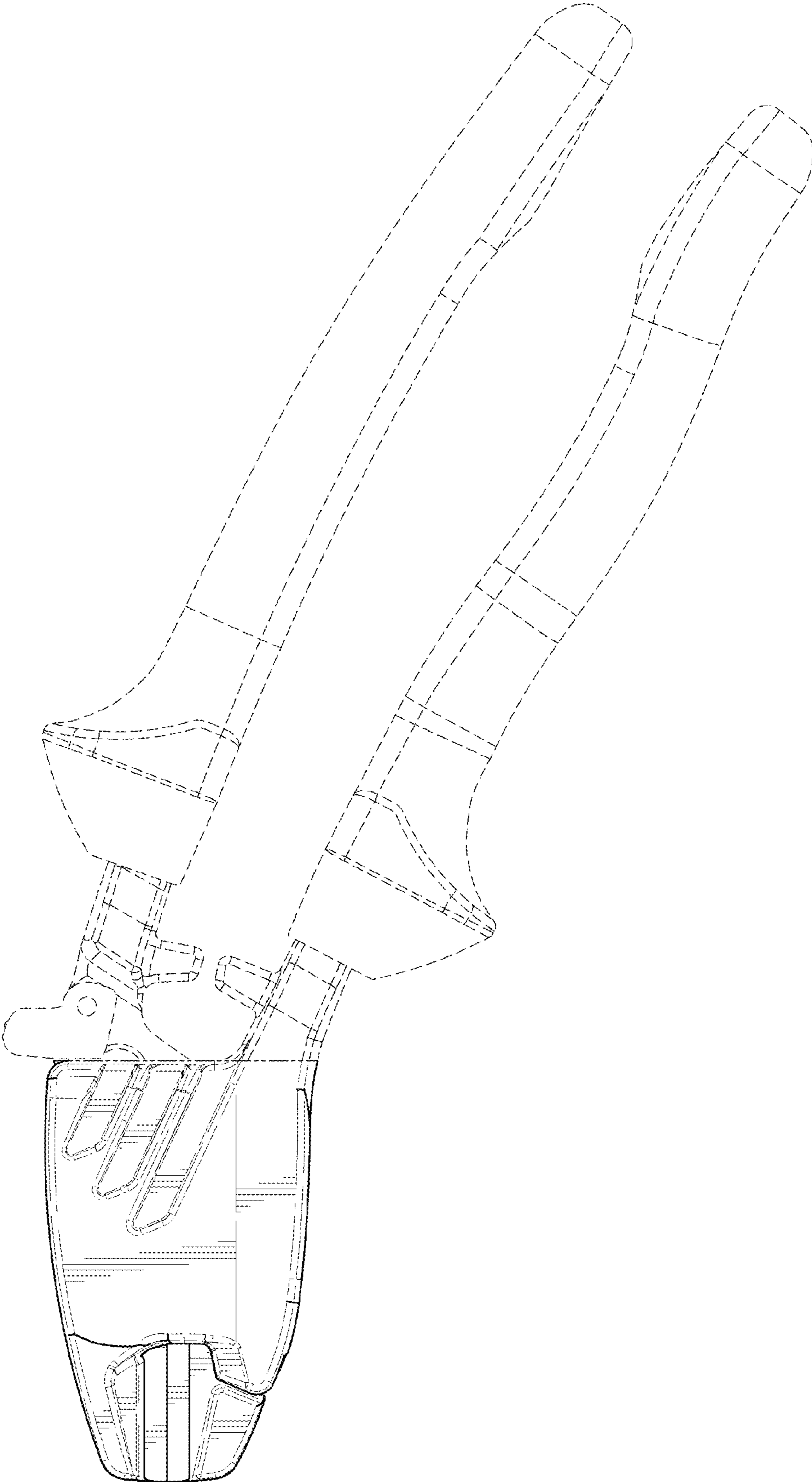


FIG. 2

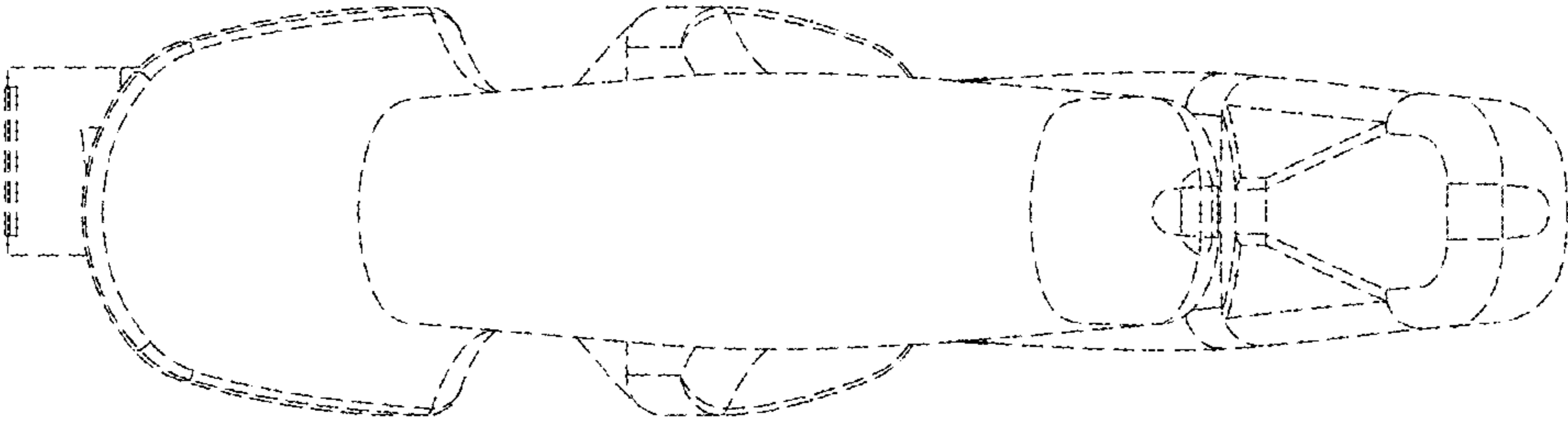


FIG. 3

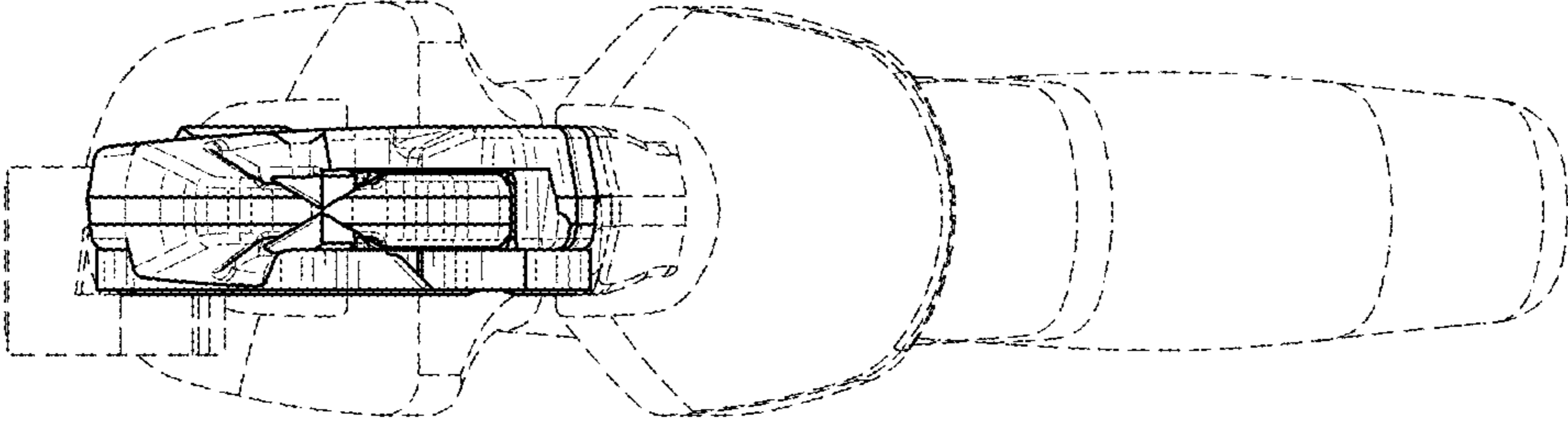


FIG. 5

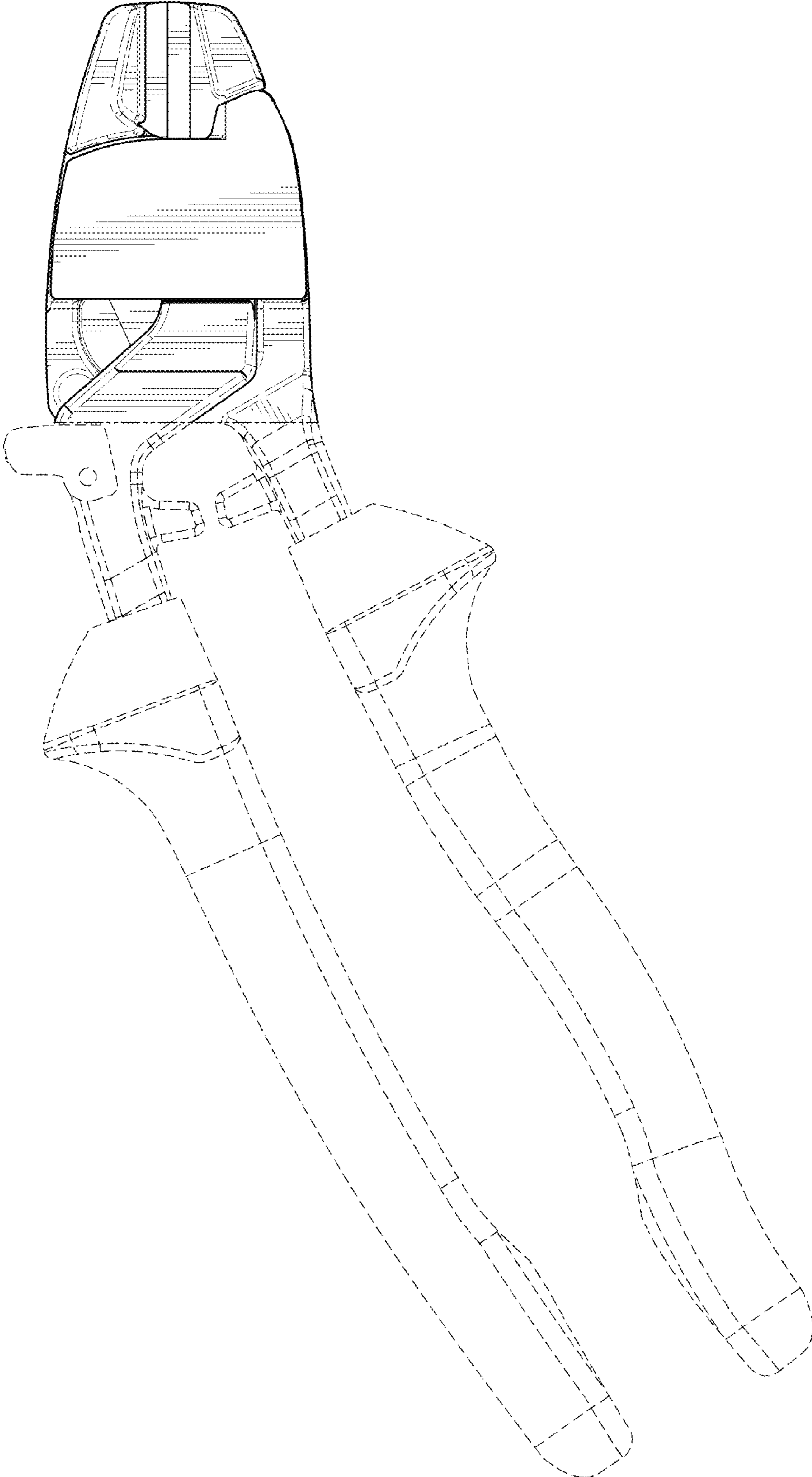


FIG. 4

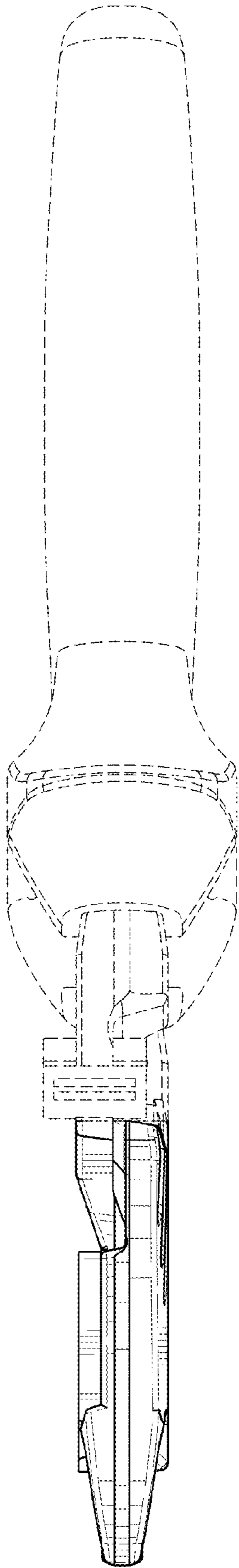


FIG. 6

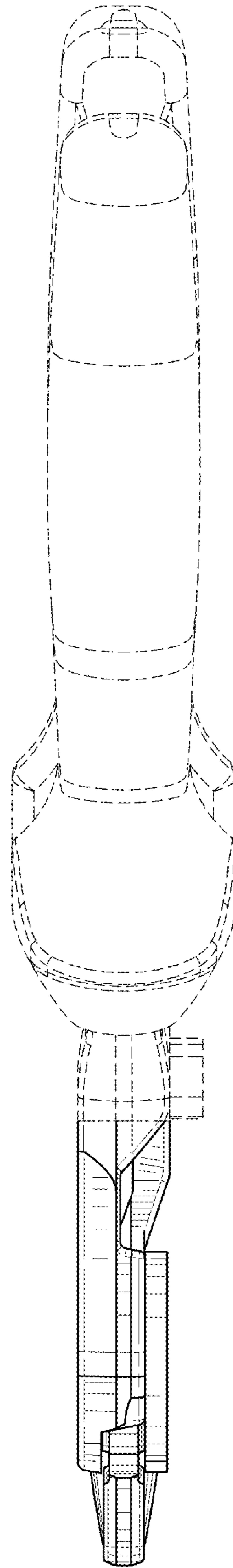


FIG. 7