



US00D772032S

(12) **United States Design Patent**
Durbin

(10) **Patent No.:** **US D772,032 S**

(45) **Date of Patent:** **** Nov. 22, 2016**

(54) **RATCHET BINDER**

(71) Applicant: **DURABILT MFG. INC.**, Broadview,
IL (US)
(72) Inventor: **Thomas Joseph Durbin**, River Forest,
IL (US)

(73) Assignee: **DURABILT MFG. INC.**, River Forest,
IL (US)

(**) Term: **14 Years**

(21) Appl. No.: **29/490,487**

(22) Filed: **May 9, 2014**

(51) **LOC (10) Cl.** **08-05**

(52) **U.S. Cl.**
USPC **D8/44**

(58) **Field of Classification Search**
USPC D8/31-32, 44-47, 51, 88-89; 24/68 CT,
24/68 CD, 7 R, 270, 273; 254/231-232,
254/235, 258, 368
CPC B25B 25/00; B60P 7/08; B60P 7/083;
B60P 7/0838; B60P 7/0853; B65D 63/00;
B65D 63/10; B65D 63/14; B65D 71/02;
B66D 3/14; B68B 3/12; F16B 21/12; F16G
3/006; F16G 11/12; F16G 15/00; F16G
15/04

See application file for complete search history.

(56) **References Cited**

U.S. PATENT DOCUMENTS

302,277 A * 7/1884 Nickels B65D 63/10
24/17 R
812,649 A * 2/1906 Greene B68B 3/12
24/68 TT
1,758,039 A * 5/1930 Haubert F16G 3/006
24/270
1,758,831 A * 5/1930 Haubert F16G 3/006
24/270
1,911,194 A * 5/1933 Jenkins F16G 3/006
24/270

(Continued)

OTHER PUBLICATIONS

Catalog page—Durabilt™ DR “Pro-Bind” Series DR-PLUS 8800,
DR-2-24, DR-2 p. 23, published and on sale more than one year
before May 9, 2014.

(Continued)

Primary Examiner — Philip S Hyder

Assistant Examiner — Roselynn Cody

(74) *Attorney, Agent, or Firm* — Marshall, Gerstein &
Borun LLP

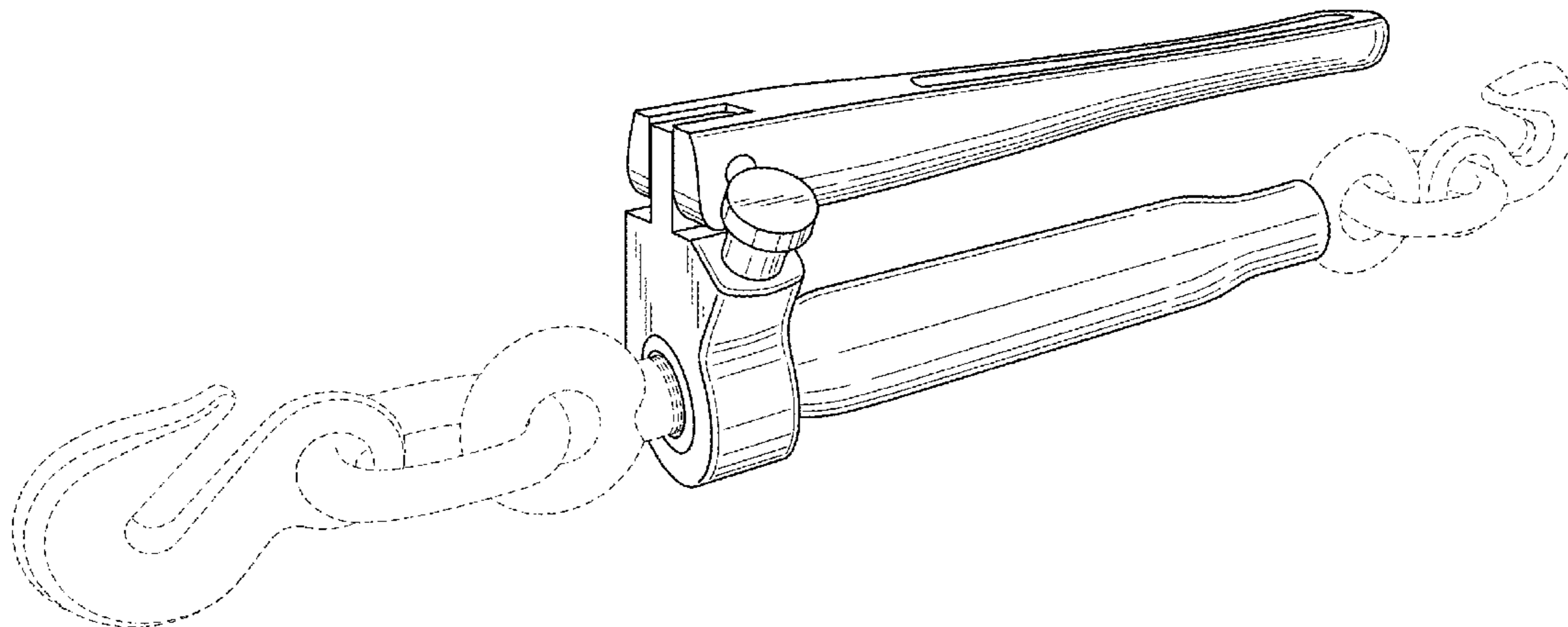
(57) **CLAIM**

The ornamental design for a ratchet binder and the like, as
shown and described.

DESCRIPTION

FIG. 1 is an perspective view of the ratchet binder illustrat-
ing my new design;
FIG. 2 is a front view of the ratchet binder illustrated in FIG.
1;
FIG. 3 is a rear view of the ratchet binder illustrated in FIG.
1;
FIG. 4 is a top view of the ratchet binder illustrated in FIG.
1;
FIG. 5 is a left side view of the ratchet binder illustrated in
FIG. 1;
FIG. 6 is a cross-section view taken along lines 6-6 of FIG.
5;
FIG. 7 is a right side view of the ratchet binder illustrated in
FIG. 1;
FIG. 8 is a bottom view of the ratchet binder illustrated in
FIG. 1; and,
FIG. 9 is an perspective view of the ratchet binder illustrated
in FIG. 1, with a handle thereof in an extended position.
The diagonal broken lines in FIG. 6 denote interior structure
that forms no part of the claim. All other broken lines in the
drawings are directed to link and hook elements that form no
part of the claim.

1 Claim, 4 Drawing Sheets



(56)

References Cited

U.S. PATENT DOCUMENTS

2,198,844 A * 4/1940 Smith B60P 7/083
24/68 CD

2,220,288 A 11/1940 Sarosdy

2,422,001 A * 6/1947 Durbin F16G 11/12
24/270

2,512,491 A * 6/1950 Durbin F16G 3/006
24/270

2,564,821 A * 8/1951 Smith B60P 7/0838
24/273

2,630,609 A * 3/1953 Le Bus F16G 15/00
24/68 CT

2,746,108 A * 5/1956 Cole B60P 7/0838
24/68 CT

2,824,717 A * 2/1958 Yeager B60P 7/0838
24/270

3,065,007 A 11/1962 Colmer, Jr.

3,179,373 A * 4/1965 Cochran B60P 7/0838
254/258

3,233,869 A * 2/1966 St Pierre F16G 3/006
24/270

3,338,359 A 8/1967 Baillie et al.

3,418,008 A * 12/1968 Durbin B60P 7/0838
24/270

3,591,141 A * 7/1971 Ratcliff B60P 7/0838
24/270

3,726,507 A * 4/1973 Rymysa F16G 3/006
24/270

3,826,469 A * 7/1974 Ratcliff B60P 7/0838
24/270

3,842,426 A * 10/1974 Ratcliff B65D 71/02
24/270

3,862,742 A * 1/1975 James B65D 63/00
254/258

3,954,252 A * 5/1976 Lyons F16G 15/00
24/270

3,974,544 A * 8/1976 Roberts F16G 15/00
410/97

3,988,005 A * 10/1976 Mooney F16G 15/00
24/68 CD

4,062,206 A * 12/1977 McWhorter F16G 15/00
70/14

D261,611 S * 11/1981 Brannock D8/89

4,366,607 A 1/1983 MacCuaig

4,422,218 A * 12/1983 Brasseux B60P 7/0838
24/270

4,423,639 A 1/1984 Grade et al.

4,500,073 A * 2/1985 Smith F16G 15/00
24/68 CT

4,512,062 A * 4/1985 Crook, Jr. B60P 7/0838
16/429

4,800,627 A * 1/1989 Smith F16G 3/006
24/270

4,830,339 A 5/1989 McGee et al.

D309,854 S * 8/1990 Smith D8/44

D354,664 S * 1/1995 Harrison D8/14

5,429,462 A * 7/1995 Anderson B60P 7/0838
24/68 CD

5,611,521 A 3/1997 Grover et al.

5,775,673 A * 7/1998 Carnes, Sr. B25B 25/00
254/120

6,149,132 A 11/2000 Ostrobrod

6,945,516 B1 9/2005 Scott et al.

7,055,804 B2 6/2006 Scott

2004/0064921 A1 * 4/2004 Mittleider F16B 21/12
24/68 CT

2006/0005360 A1 * 1/2006 Profit B25B 25/00
24/71 R

2008/0235922 A1 * 10/2008 Scott F16G 15/00
24/68 CT

2010/0111634 A1 * 5/2010 Wang B60P 7/083
410/96

2011/0000317 A1 * 1/2011 Ruan B60P 7/083
73/862.42

2011/0167600 A1 * 7/2011 Keevy B60P 7/083
24/68 CD

2014/0326935 A1 * 11/2014 Chao B60P 7/083
254/235

OTHER PUBLICATIONS

Catalog page—Durabilt™ DR Pro-Bind & LDR Light Pro-Bind Ratchet Binder Series, p. 6, © 2010, published and on sale more than one year before May 9, 2014.

Catalog page—Durabilt™ DR-X15 TITAN 15,000 LB. W.L.L & DR-X16 TITAN 16,000 LB. W.L.L, p. 8, published and on sale more than one year before May 9, 2014.

* cited by examiner

Fig. 1

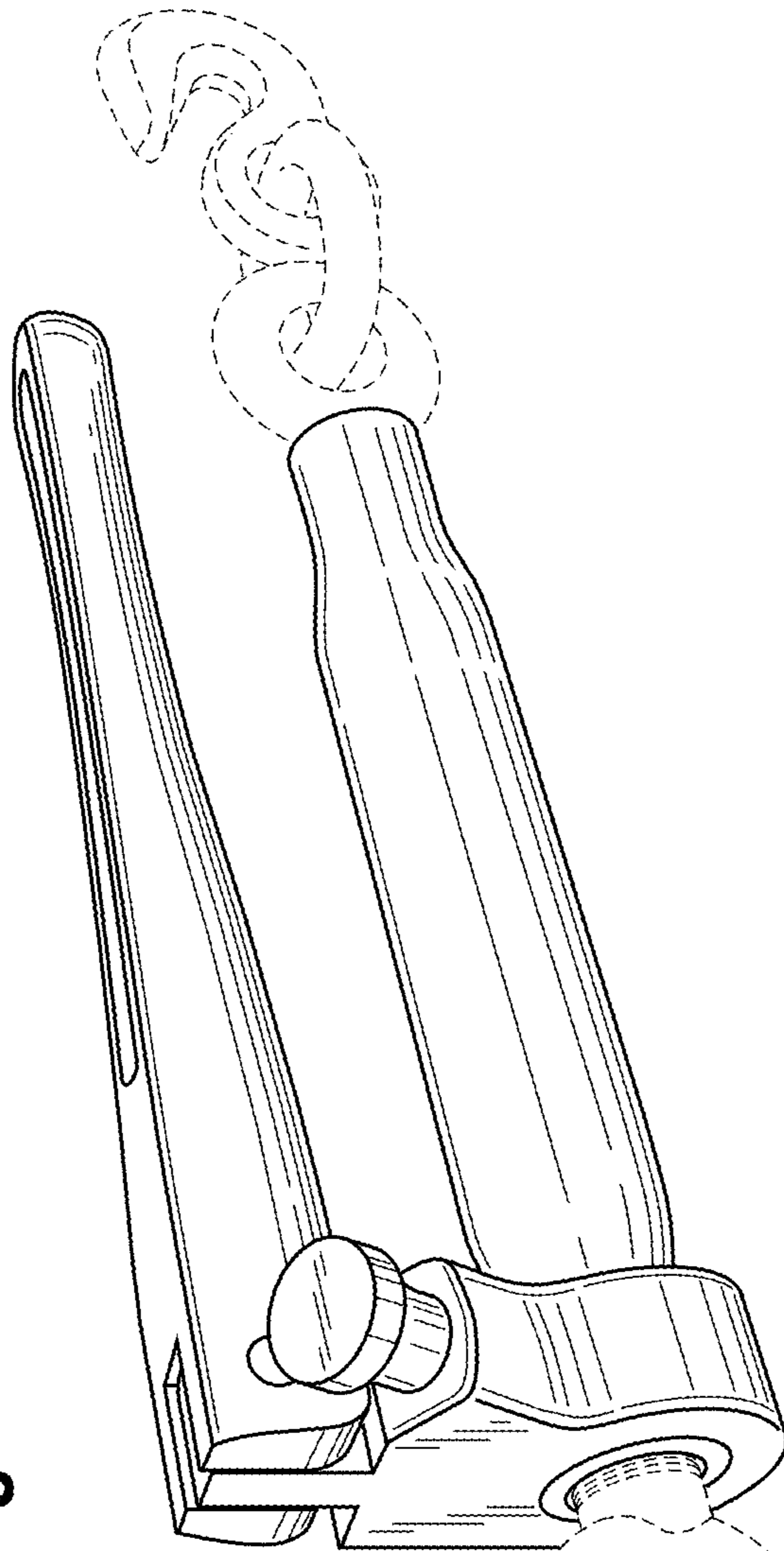


Fig. 3

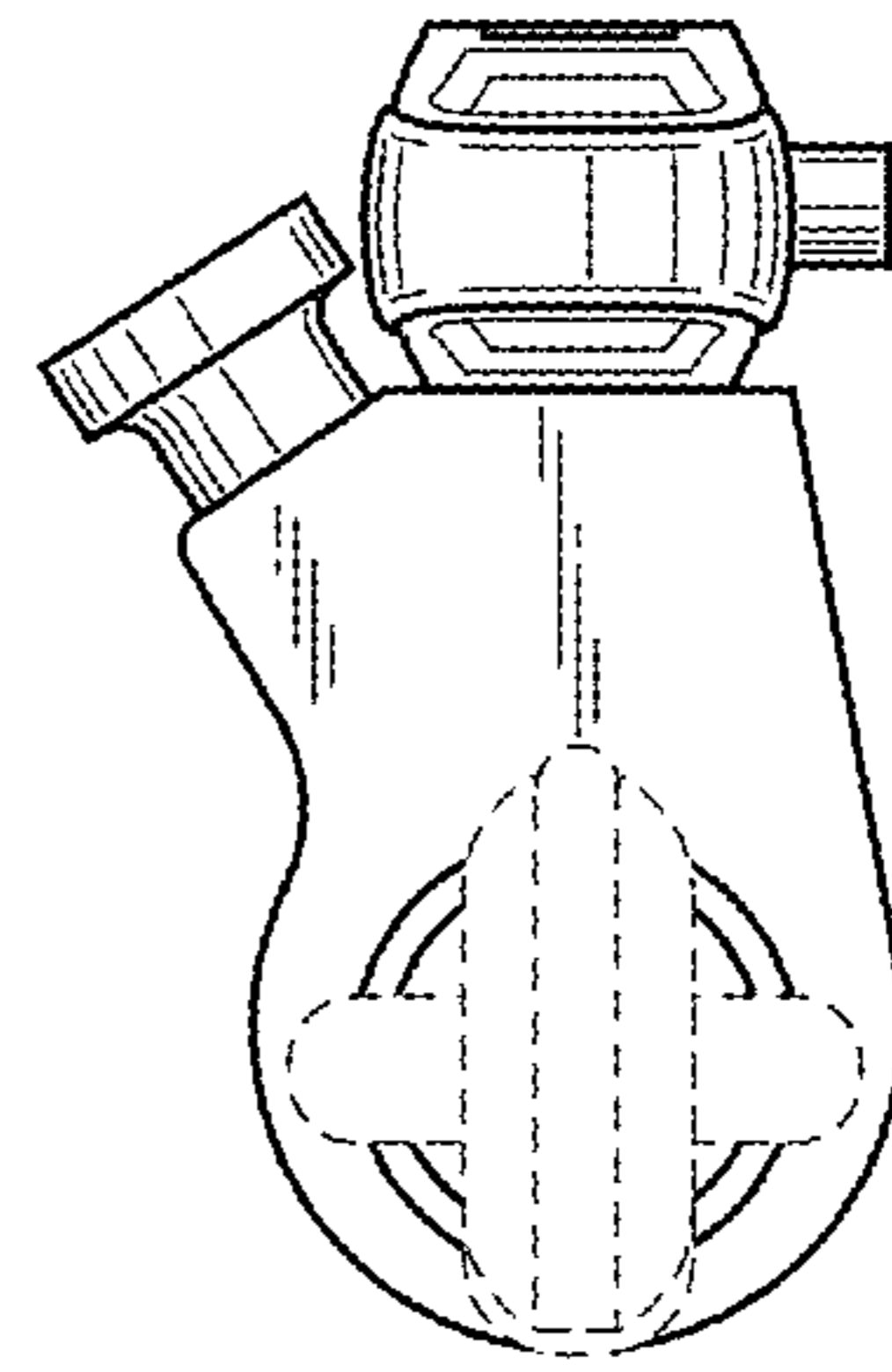


Fig. 2

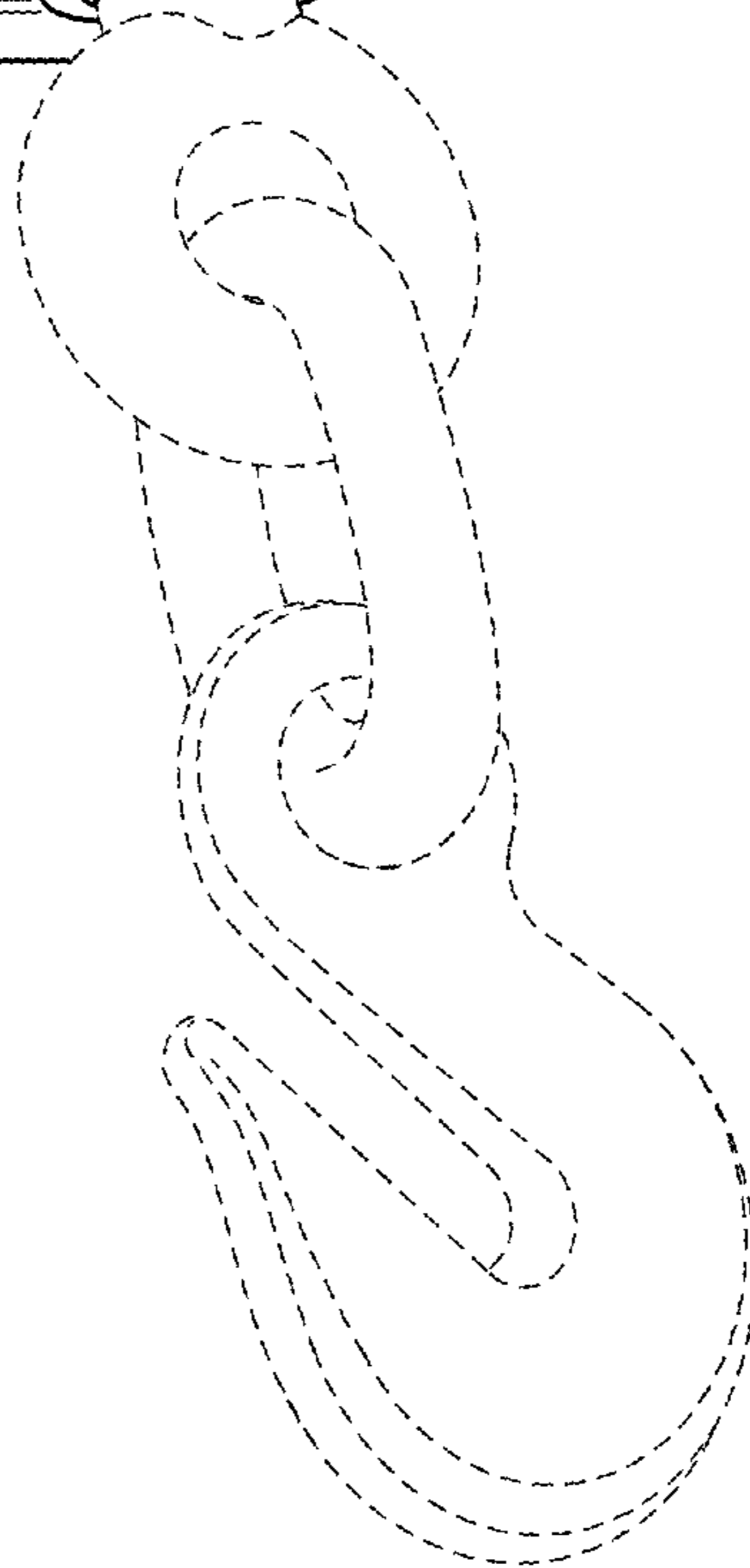
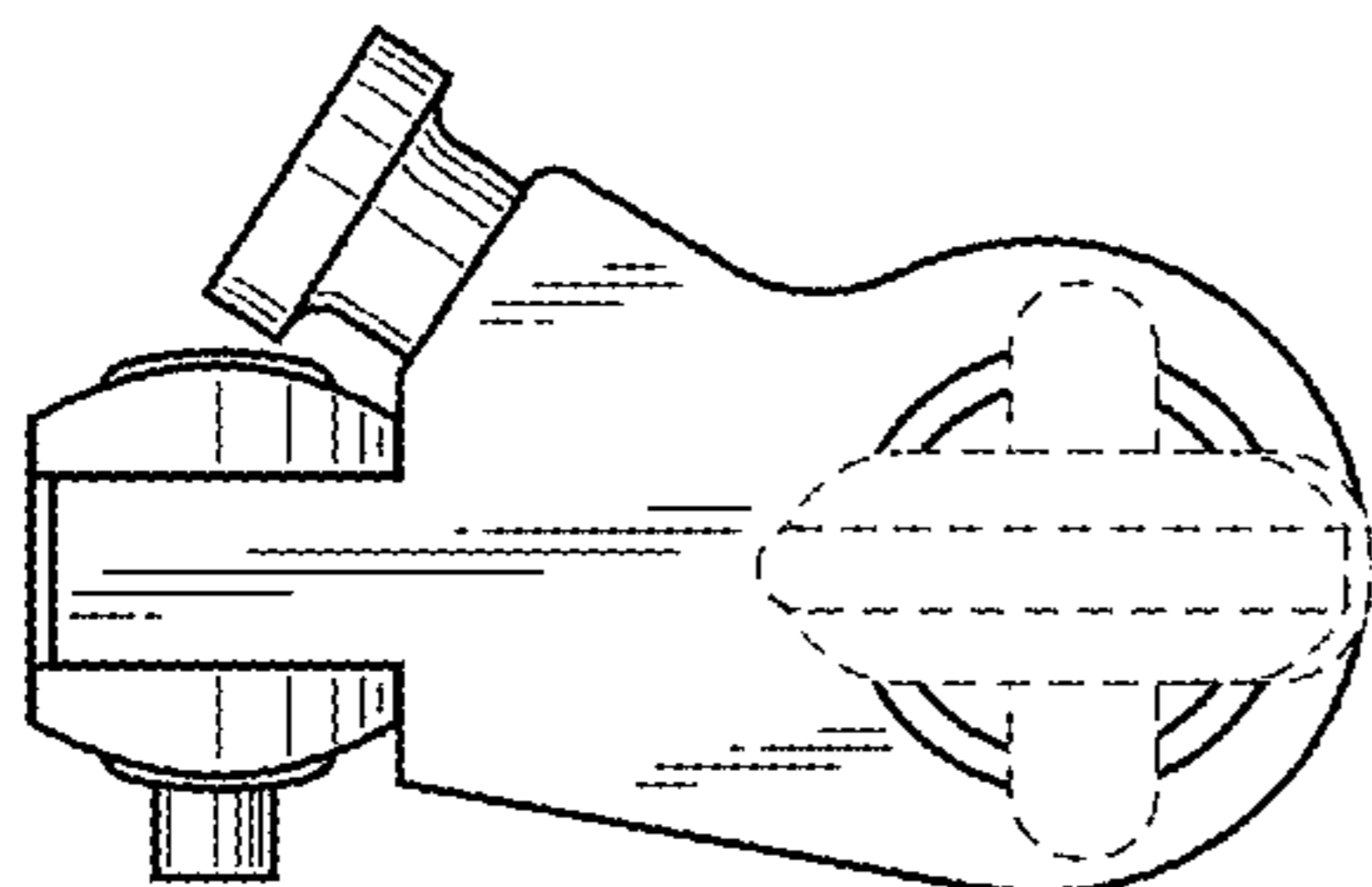


Fig. 4

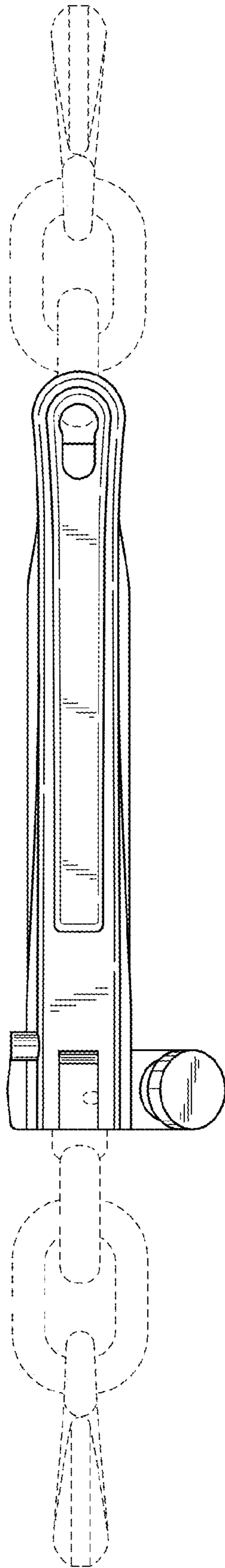


Fig. 6



Fig. 5

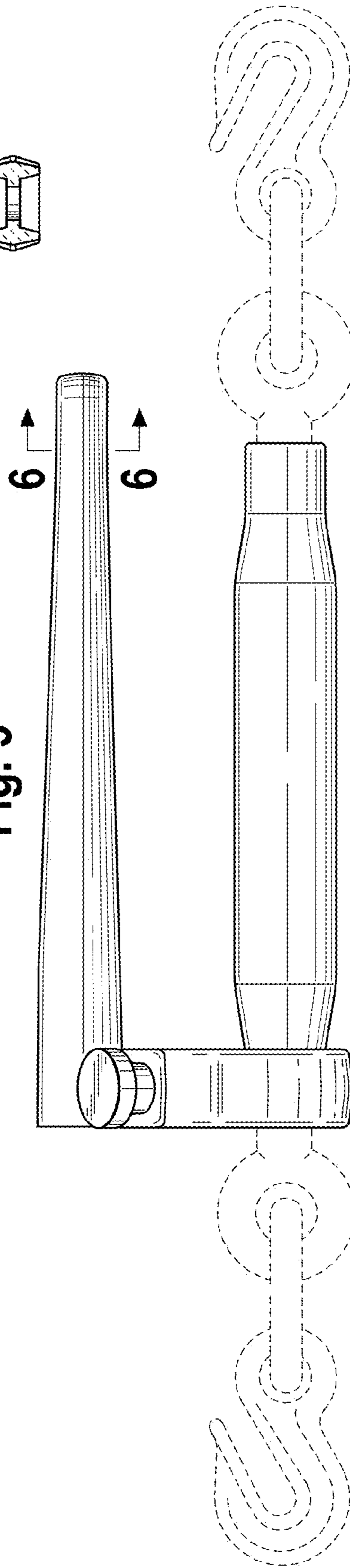


Fig. 7

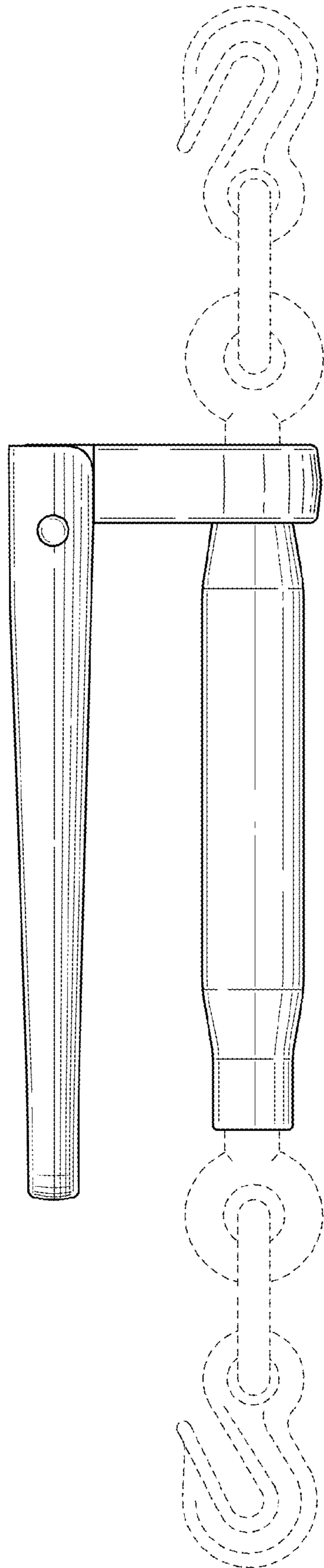
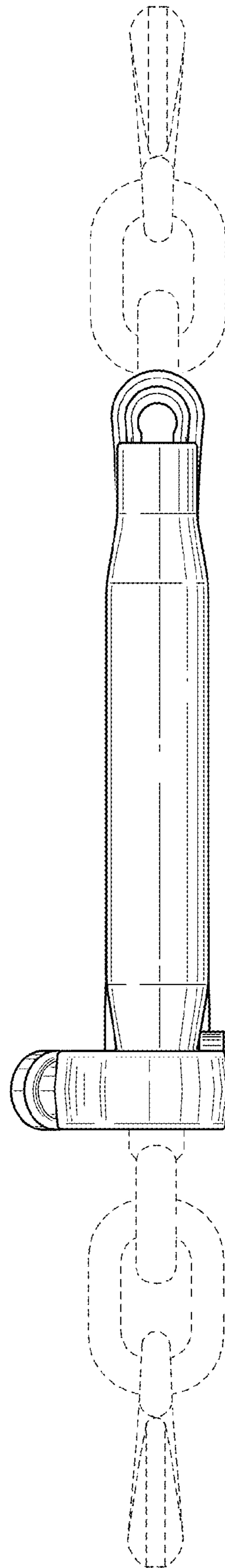


Fig. 8



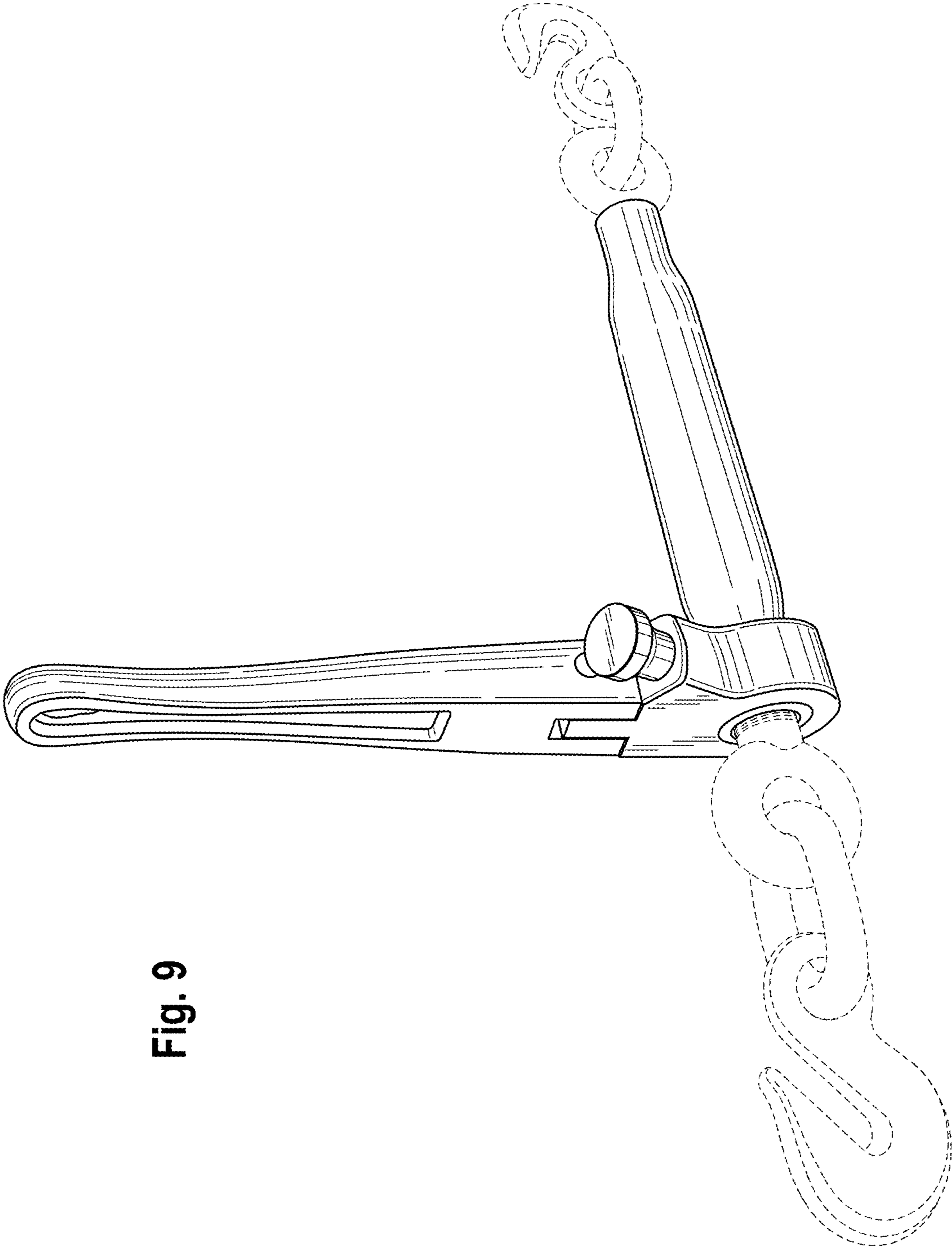


Fig. 9