



US00D772030S

(12) **United States Design Patent**
Andersen

(10) **Patent No.:** **US D772,030 S**

(45) **Date of Patent:** **** Nov. 22, 2016**

(54) **DEVICE FOR INSTALLING AND
REMOVING PLASTIC COVERS FOR STUDS
AND NUTS OF TRUCK WHEELS**

(71) Applicant: **James H. Andersen**, Windsor, CO (US)

(72) Inventor: **James H. Andersen**, Windsor, CO (US)

(**) Term: **15 Years**

(21) Appl. No.: **29/526,754**

(22) Filed: **May 13, 2015**

(51) **LOC (10) Cl.** **08-05**

(52) **U.S. Cl.**
USPC **D8/29**

(58) **Field of Classification Search**
USPC D8/29, 70; D15/138, 139; 279/46.6,
279/152; 408/17, 71, 112, 115 B
CPC B25B 13/06; B25B 13/065
See application file for complete search history.

(56) **References Cited**

U.S. PATENT DOCUMENTS

D416,267 S * 11/1999 Reilly D15/139
D588,887 S * 3/2009 Lehman D8/29
D624,381 S * 9/2010 Waller D8/70

D642,882 S * 8/2011 Lane D8/29
D646,939 S * 10/2011 Johnson D8/29
D659,730 S * 5/2012 Cantlon D15/140
D705,282 S * 5/2014 Jones, Jr. D15/139
D715,612 S * 10/2014 Halstead D8/29

* cited by examiner

Primary Examiner — Randall Gholson

(74) *Attorney, Agent, or Firm* — Ancel W. Lewis, Jr.

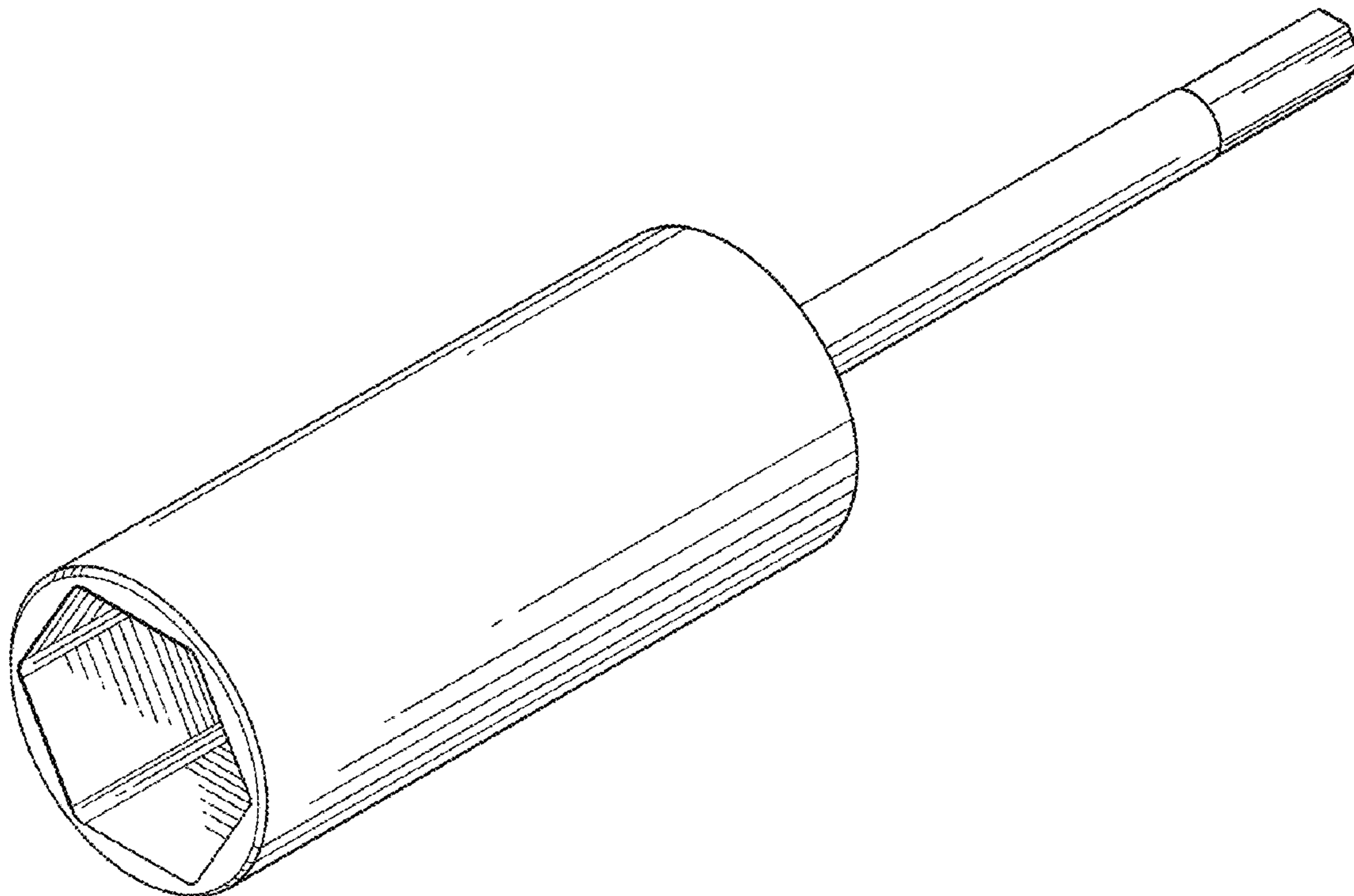
(57) **CLAIM**

The ornamental design for a device for installing and removing plastic covers for studs and nuts of truck wheels, as shown and described.

DESCRIPTION

FIG. 1 is a bottom perspective view of a device for installing and removing plastic covers for studs and nuts of truck wheels showing my new design;
FIG. 2 is a top perspective view thereof;
FIG. 3 is a front and back elevation view thereof;
FIG. 4 is a left and right side elevation view thereof;
FIG. 5 is a top view thereof;
FIG. 6 is a bottom view thereof; and,
FIG. 7 is a sectional view taken along line 7-7 of FIG. 5. The broken line showing of details in FIGS. 6 and 7 is included for the purpose of showing a fastening screw and forms no part of the claimed invention.

1 Claim, 2 Drawing Sheets



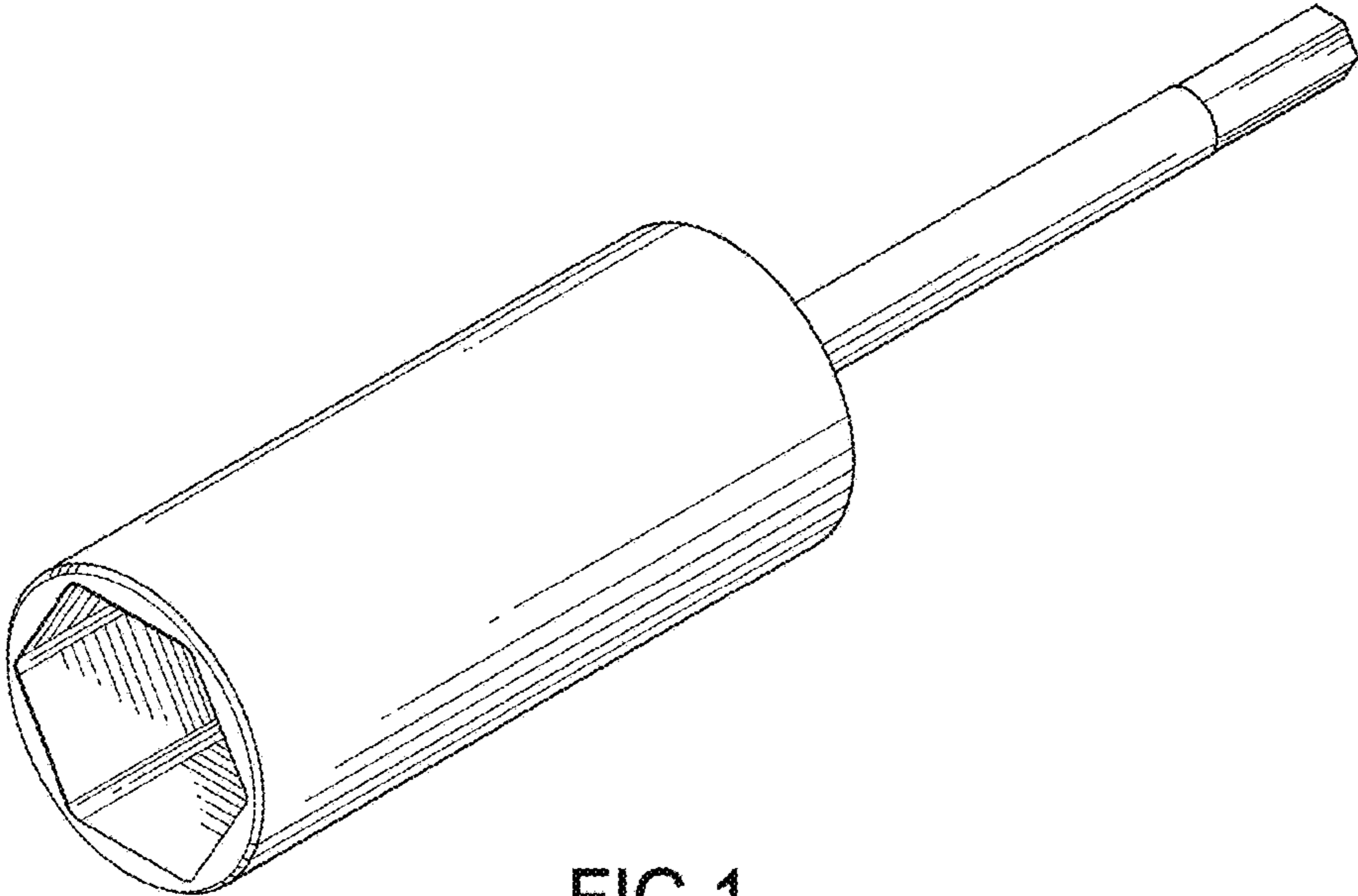


FIG. 1

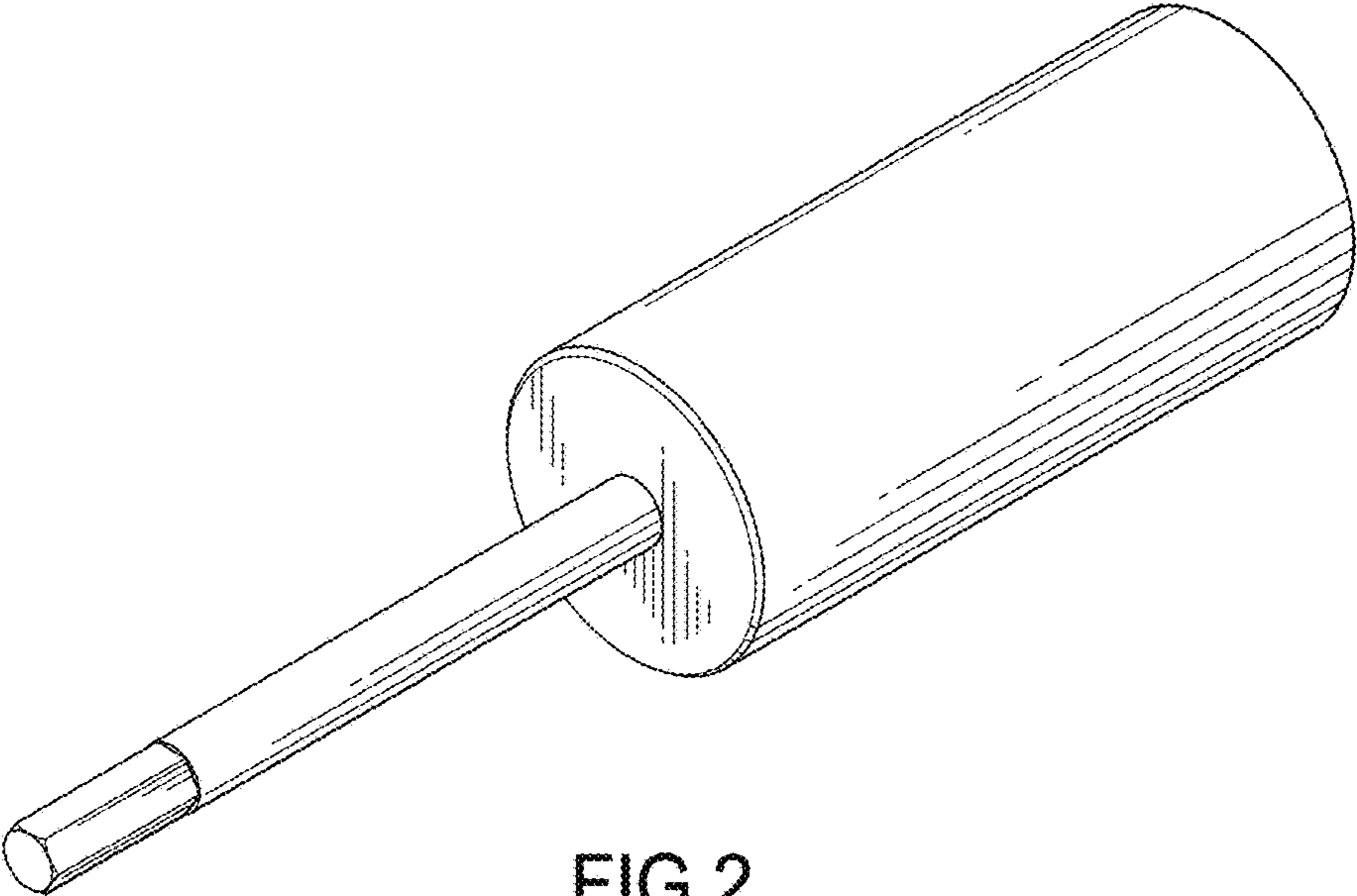


FIG. 2

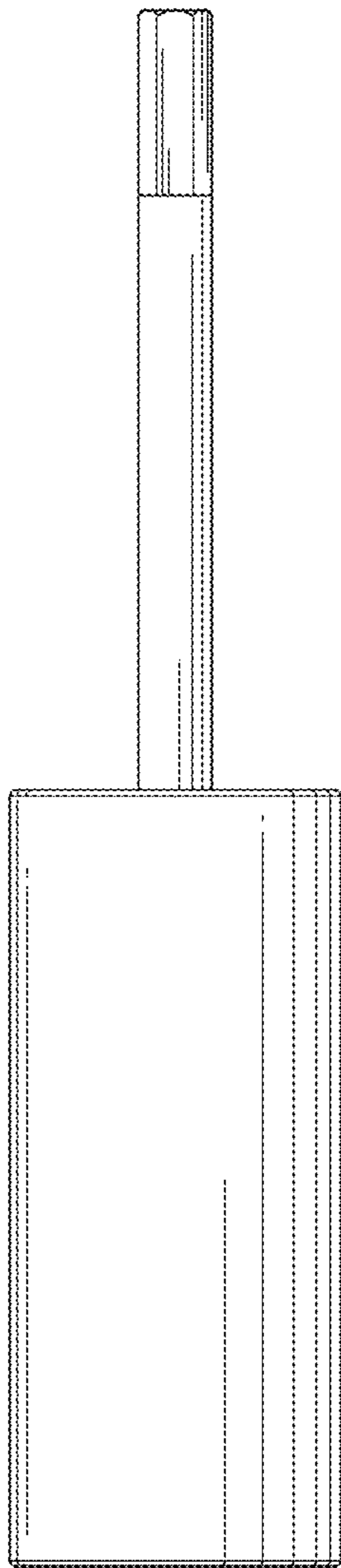


FIG. 3

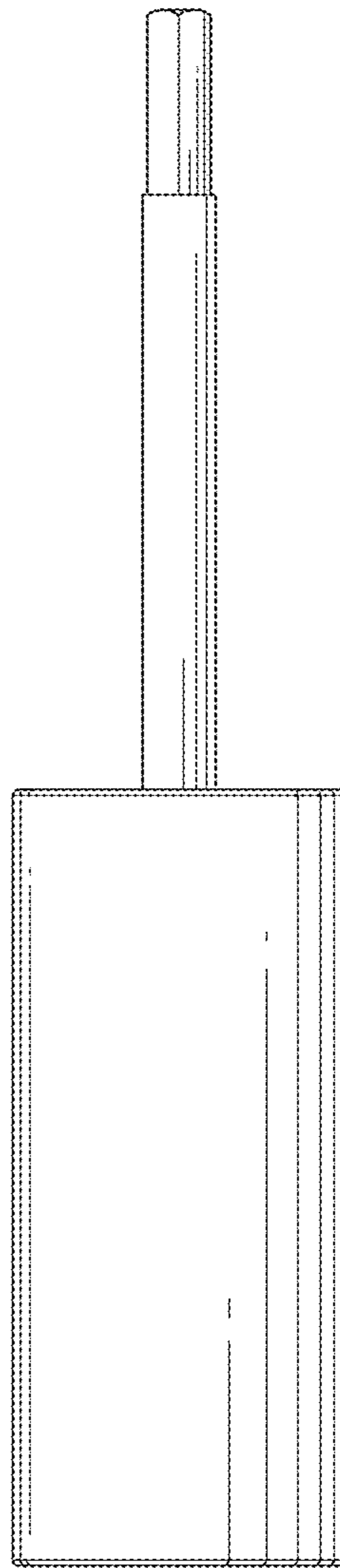


FIG. 4

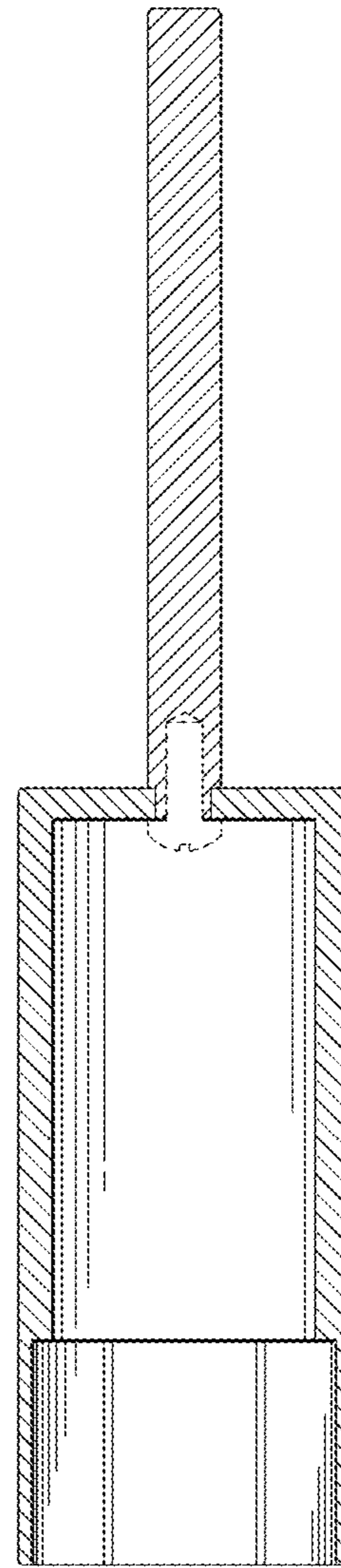


FIG. 7

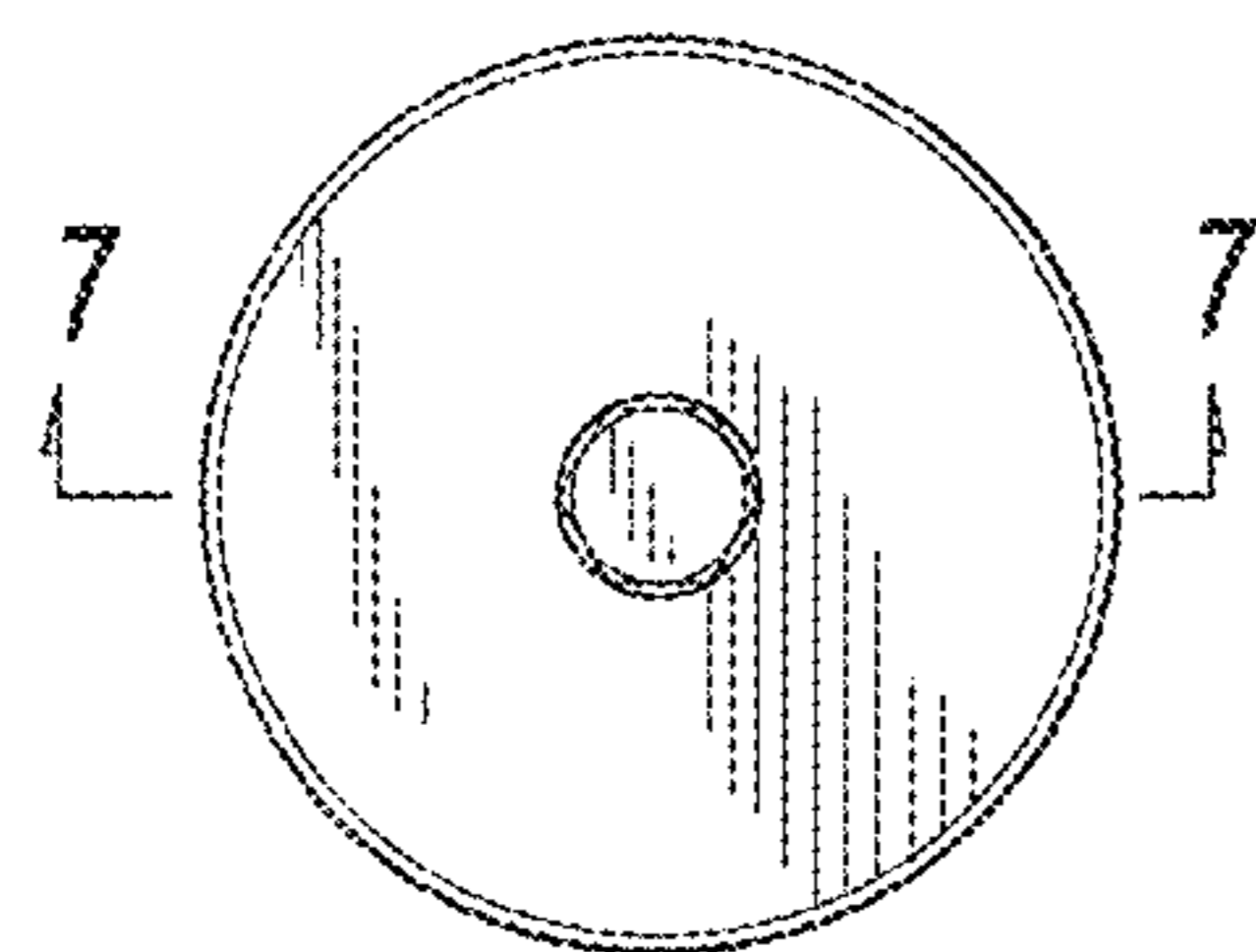


FIG. 5

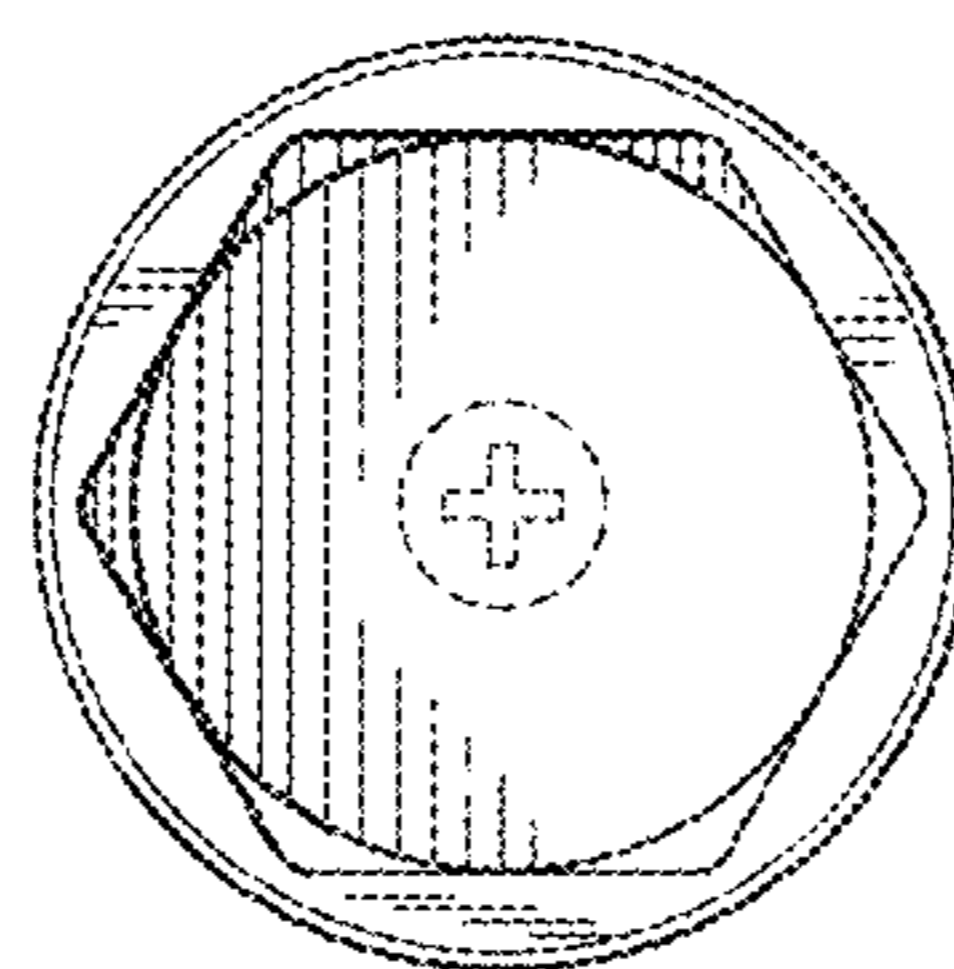


FIG. 6