



US00D772028S

(12) **United States Design Patent** (10) **Patent No.:** **US D772,028 S**
Tangreen (45) **Date of Patent:** **** Nov. 22, 2016**

- (54) **FIREARM MULTI-TOOL**
- (71) Applicant: **Jared Tangreen**, Winnemucca, NV (US)
- (72) Inventor: **Jared Tangreen**, Winnemucca, NV (US)
- (**) Term: **15 Years**
- (21) Appl. No.: **29/533,565**
- (22) Filed: **Jul. 20, 2015**
- (51) **LOC (10) Cl.** **08-05**
- (52) **U.S. Cl.**
USPC **D8/17**
- (58) **Field of Classification Search**
USPC D8/16-21, 33, 40, 89, 105, 26, 85, 87, D8/81, 98, 76; D22/199, 108
CPC F41A 35/00; B25B 13/00; B25B 13/48
See application file for complete search history.

D728,333 S *	5/2015	Sui	D8/17
D730,130 S *	5/2015	Geissele	D8/17
D742,706 S *	11/2015	Sui	D8/17
2012/0125162 A1 *	5/2012	Nguyen	B23B 31/201 81/124.4
2015/0198405 A1 *	7/2015	Keng	F41A 35/00 42/108
2016/0161204 A1 *	6/2016	Geissele	B25B 13/48 29/525.11

* cited by examiner

Primary Examiner — Susan Bennett Hattan

Assistant Examiner — Janice Hallmark

(74) *Attorney, Agent, or Firm* — Joseph Sanford

(57) **CLAIM**

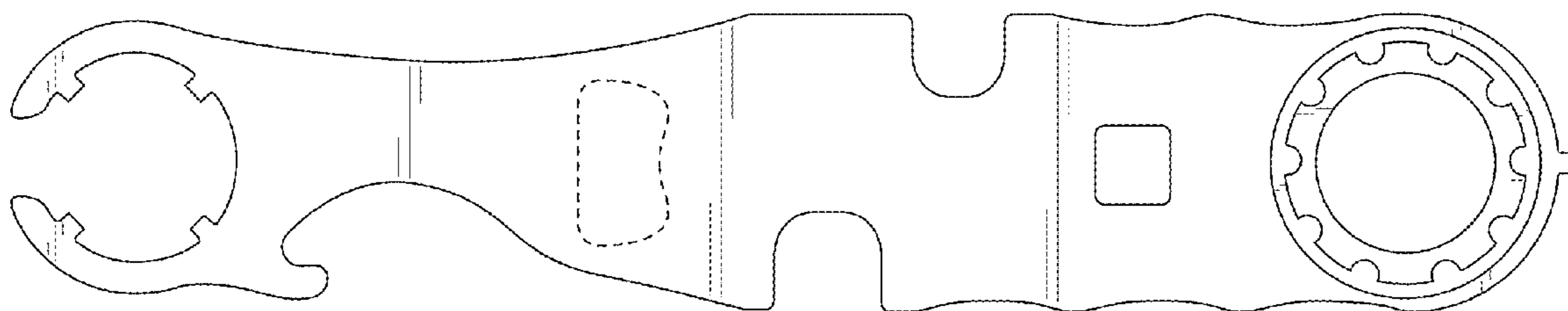
The ornamental design for a firearm multi-tool, as shown and described.

DESCRIPTION

FIG. 1 is a front elevational view of the firearm multi-tool. FIG. 2 is a left side elevational view of the firearm multi-tool. FIG. 3 is a right side elevational view of the firearm multi-tool. FIG. 4 is a bottom elevational view of the firearm multi-tool. FIG. 5 is a top elevational view of the firearm multi-tool; and, FIG. 6 is a rear elevational view of the firearm multi-tool. The broken lines in the drawings depict parts of the firearm multi-tool that form no part of the claimed design.

1 Claim, 4 Drawing Sheets

- (56) **References Cited**
U.S. PATENT DOCUMENTS
- | | | | | |
|----------------|---------|----------|-------|----------------------|
| 6,745,648 B2 * | 6/2004 | Stier | | B25B 13/48
81/119 |
| D548,552 S * | 8/2007 | Elkaim | | D22/199 |
| D564,316 S * | 3/2008 | Elkaim | | D22/199 |
| D598,723 S * | 8/2009 | Cheng | | D8/17 |
| D601,393 S * | 10/2009 | Cui | | D8/17 |
| D666,883 S * | 9/2012 | Howard | | D8/19 |
| D718,103 S * | 11/2014 | Geissele | | D8/17 |
| D724,398 S * | 3/2015 | Streets | | D8/17 |
| D725,451 S * | 3/2015 | Mayberry | | D8/21 |



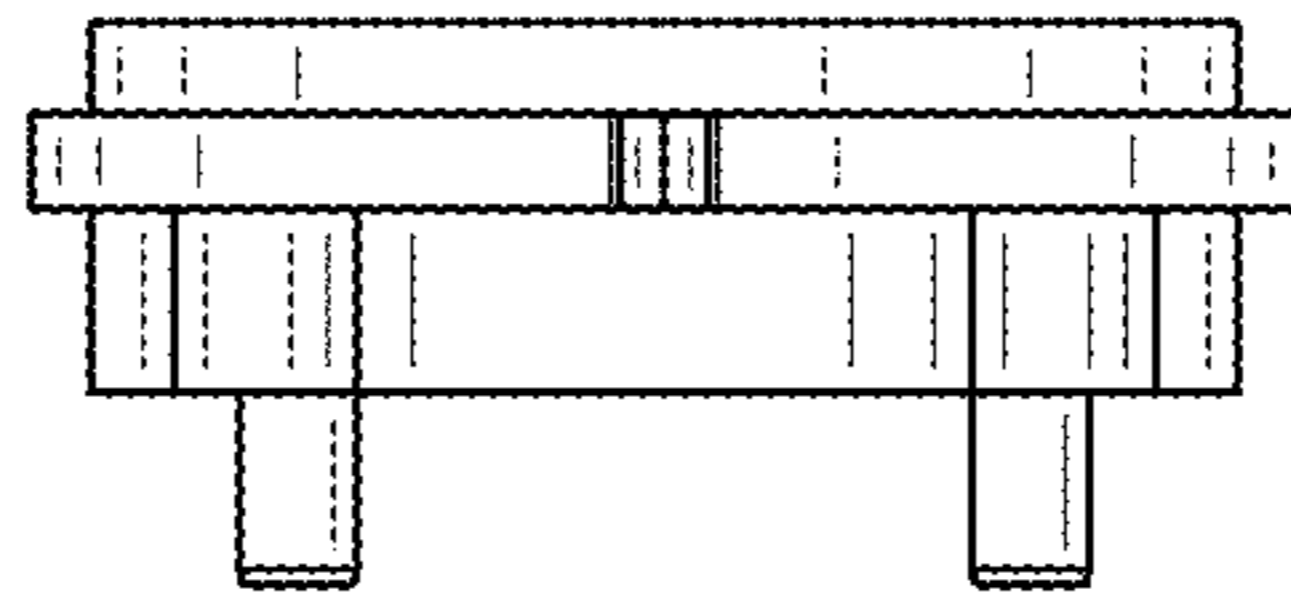


FIG. 1

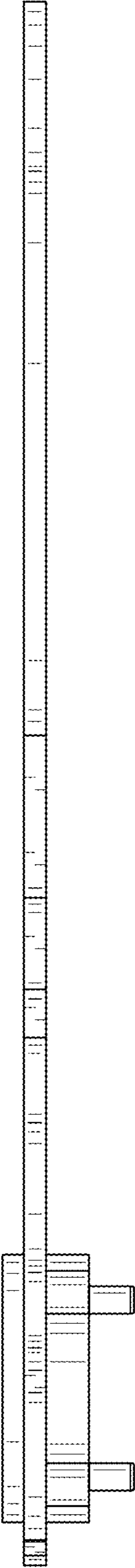


FIG. 2

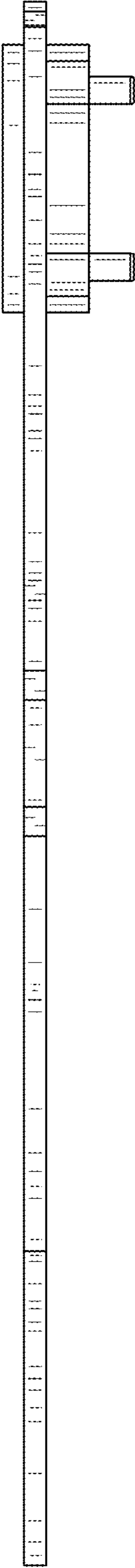


FIG. 3

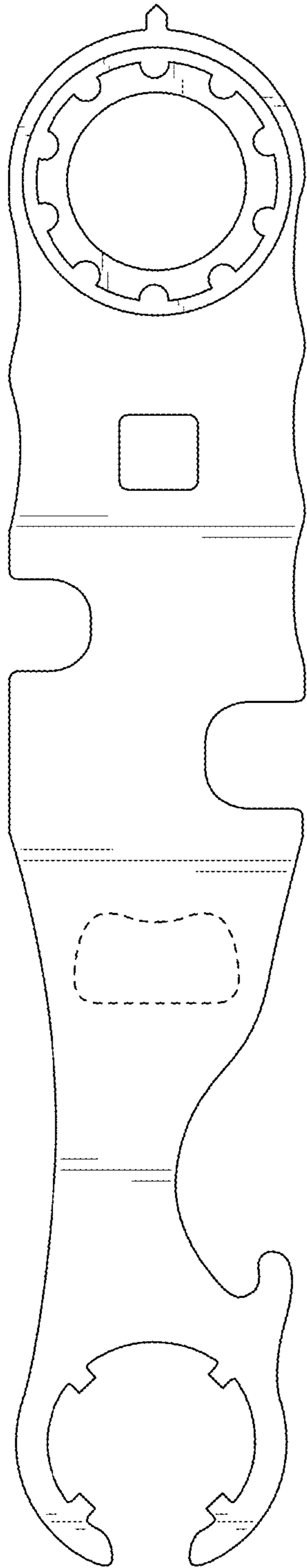


FIG. 4

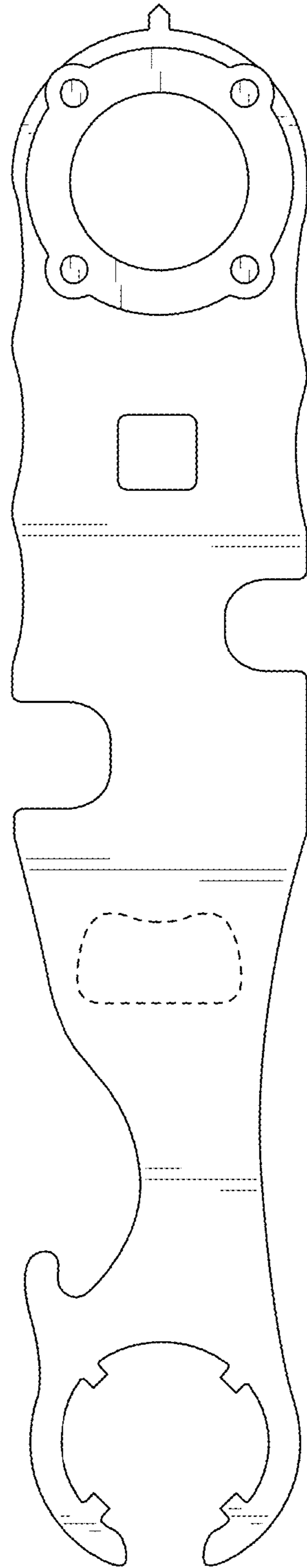


FIG. 5

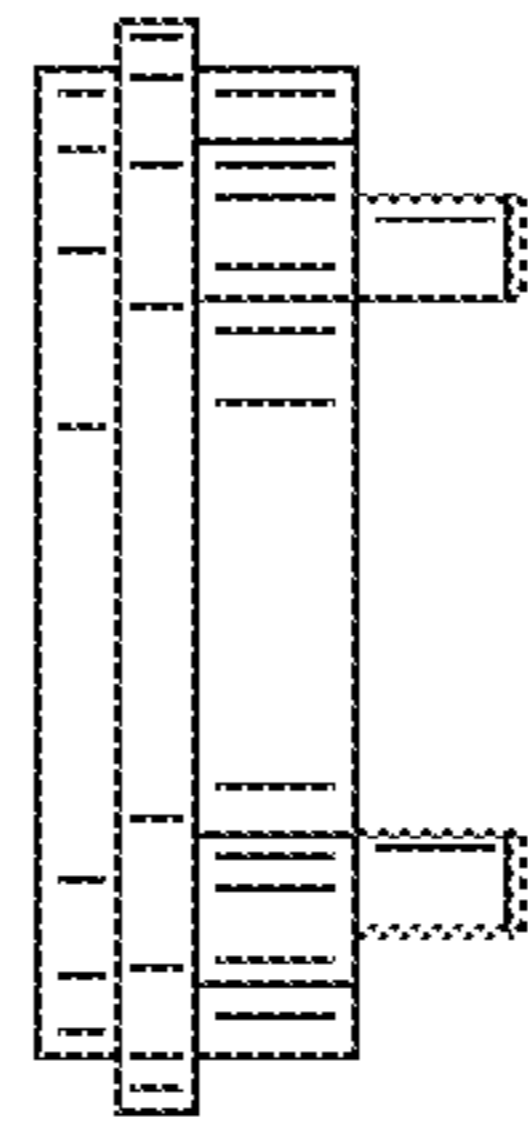


FIG. 6