



US00D772027S

(12) **United States Design Patent**
Chi Man

(10) **Patent No.:** **US D772,027 S**

(45) **Date of Patent:** **** Nov. 22, 2016**

(54) **TELESCOPING POLE FOR HANGING LIGHTS**

(71) Applicant: **Dyno Seasonal Solutions LLC**,
Pompano Beach, FL (US)

(72) Inventor: **Tsui Chi Man**, Siu Sai Wan (HK)

(73) Assignee: **Dyno Seasonal Solutions LLC**,
Pompano Beach, FL (US)

(**) Term: **14 Years**

(21) Appl. No.: **29/524,683**

(22) Filed: **Apr. 22, 2015**

(51) **LOC (10) Cl.** **08-05**

(52) **U.S. Cl.**
USPC **D8/14**

(58) **Field of Classification Search**
USPC D8/14, 51, 105, 107, 52; 294/19.1
CPC A47G 33/10; B25G 1/04; F21S 4/10;
F21V 19/04; F21V 21/08
See application file for complete search history.

(56) **References Cited**

U.S. PATENT DOCUMENTS

- 4,395,840 A * 8/1983 Banks, Jr. A01K 97/24
294/213
- D348,186 S * 6/1994 Wahl D8/14
- 5,560,975 A * 10/1996 Casper A47G 33/10
24/370
- 5,731,617 A * 3/1998 Suda H01L 21/8249
257/370
- 5,964,489 A * 10/1999 Mahoney B25J 1/04
248/339
- 6,227,584 B1 5/2001 Reuther
- 6,473,953 B1 11/2002 Portnoff
- 6,652,013 B1 * 11/2003 Peterson B25G 1/04
294/210
- 6,874,833 B2 4/2005 Keith et al.

- 7,669,827 B2 * 3/2010 Urrutia F21S 4/10
248/351
- 7,677,619 B2 3/2010 Hutchings et al.
- 7,934,756 B2 5/2011 Kroeze
- D670,150 S * 11/2012 Angel D8/107
- 8,752,877 B2 * 6/2014 Spindler F21S 4/10
294/209
- 8,978,677 B2 3/2015 Roberts

FOREIGN PATENT DOCUMENTS

- CA 2007276 7/1990
- CA 2263374 4/2000

* cited by examiner

Primary Examiner — Phillip S Hyder

(74) *Attorney, Agent, or Firm* — Greenberg Traurig, LLP;
David J. Dykeman

(57) **CLAIM**

The ornamental design for telescoping pole for hanging lights, as shown and described.

DESCRIPTION

FIG. 1 is a perspective view of the telescoping pole for hanging lights in a fully extended position of the present invention;

FIG. 2 is a perspective view of the telescoping pole for hanging lights in a fully retracted position of the present invention;

FIG. 3 is a front view of FIG. 2;

FIG. 4 is a rear view of FIG. 2;

FIG. 5 is an enlarged top view of FIG. 2;

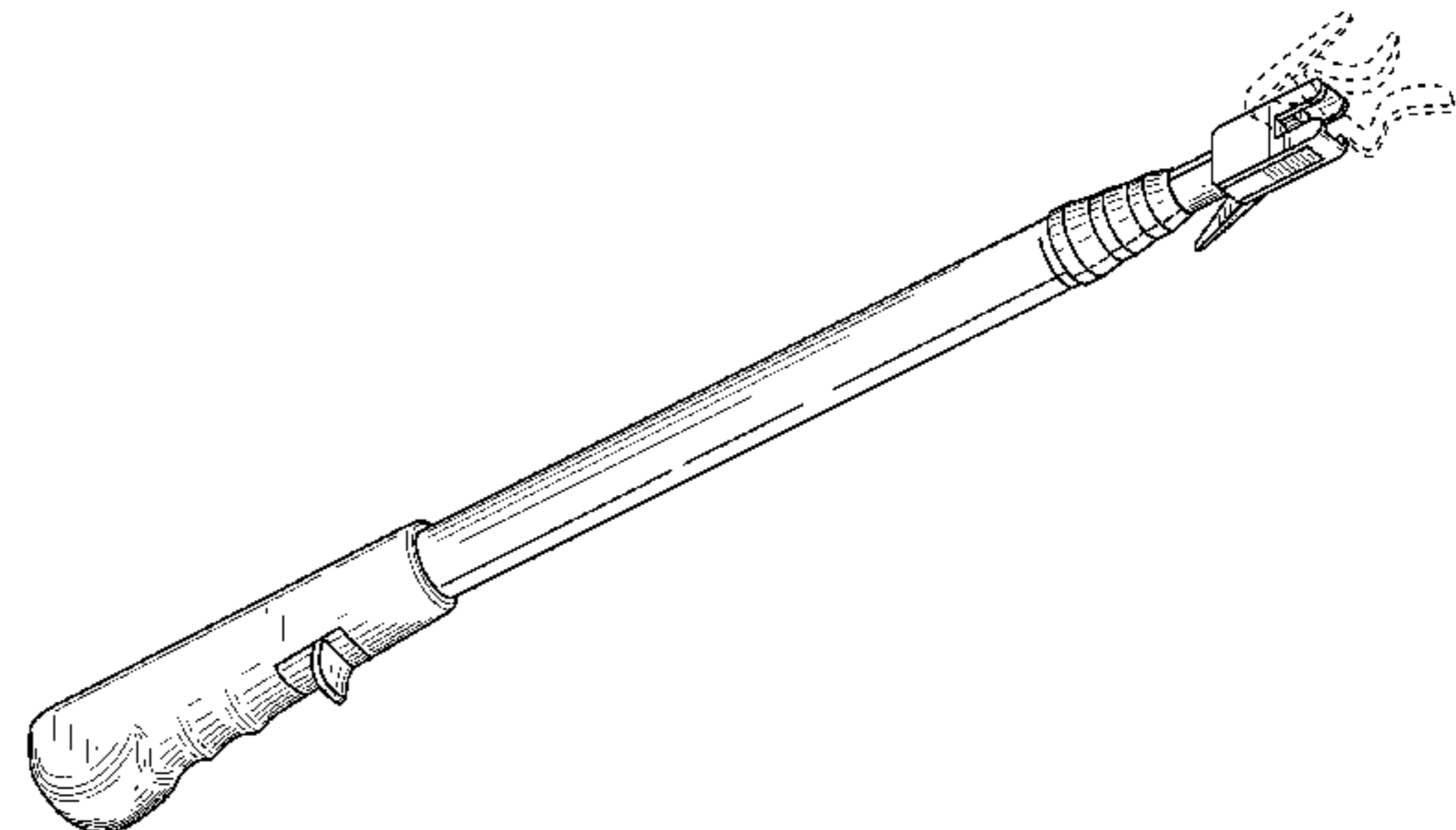
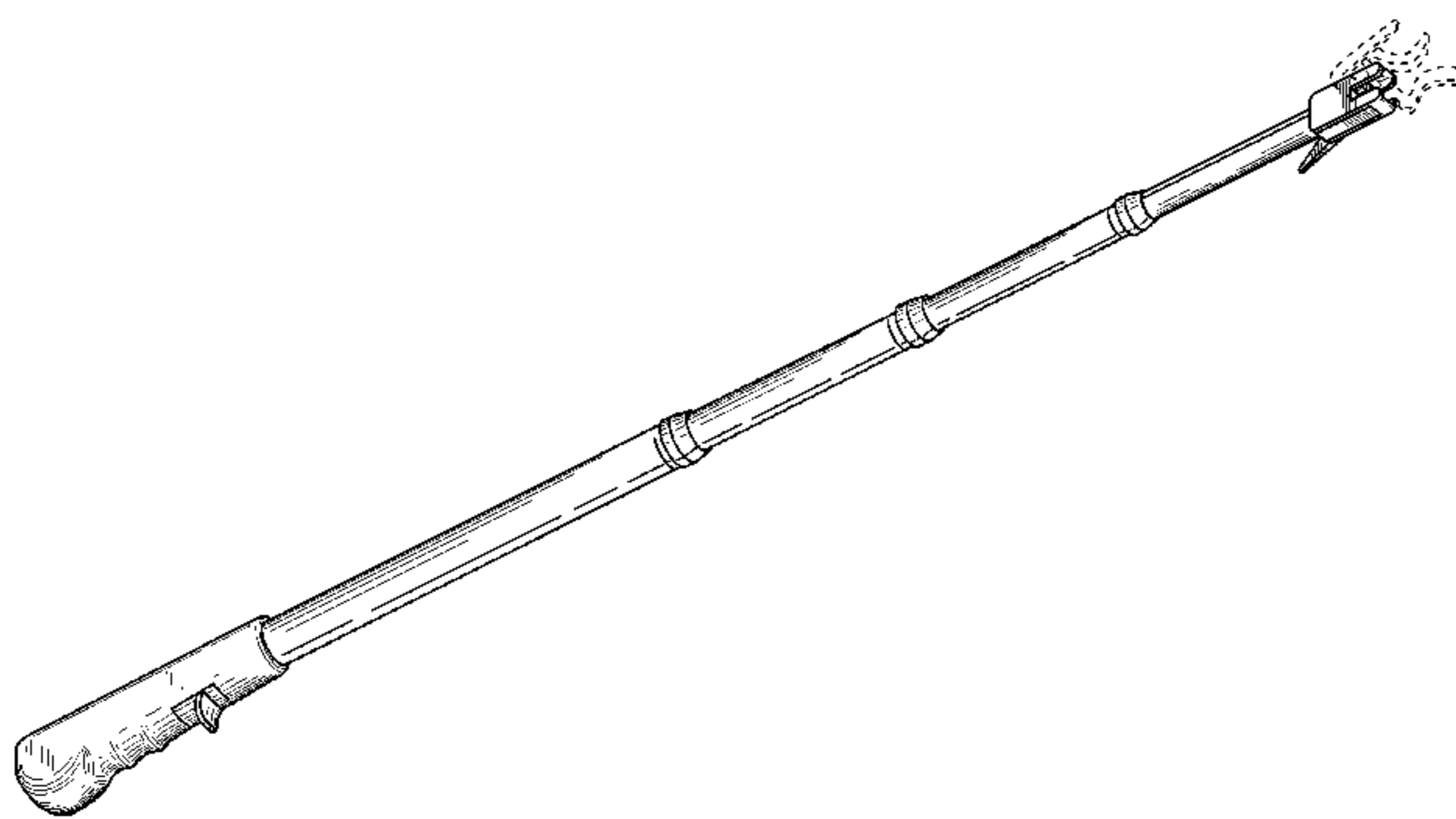
FIG. 6 is an enlarged bottom view of FIG. 2;

FIG. 7 is a right side view of FIG. 2; and,

FIG. 8 is a left side view of FIG. 2.

The broken lines are provided for purposes of environment and form no part of the claimed design.

1 Claim, 7 Drawing Sheets



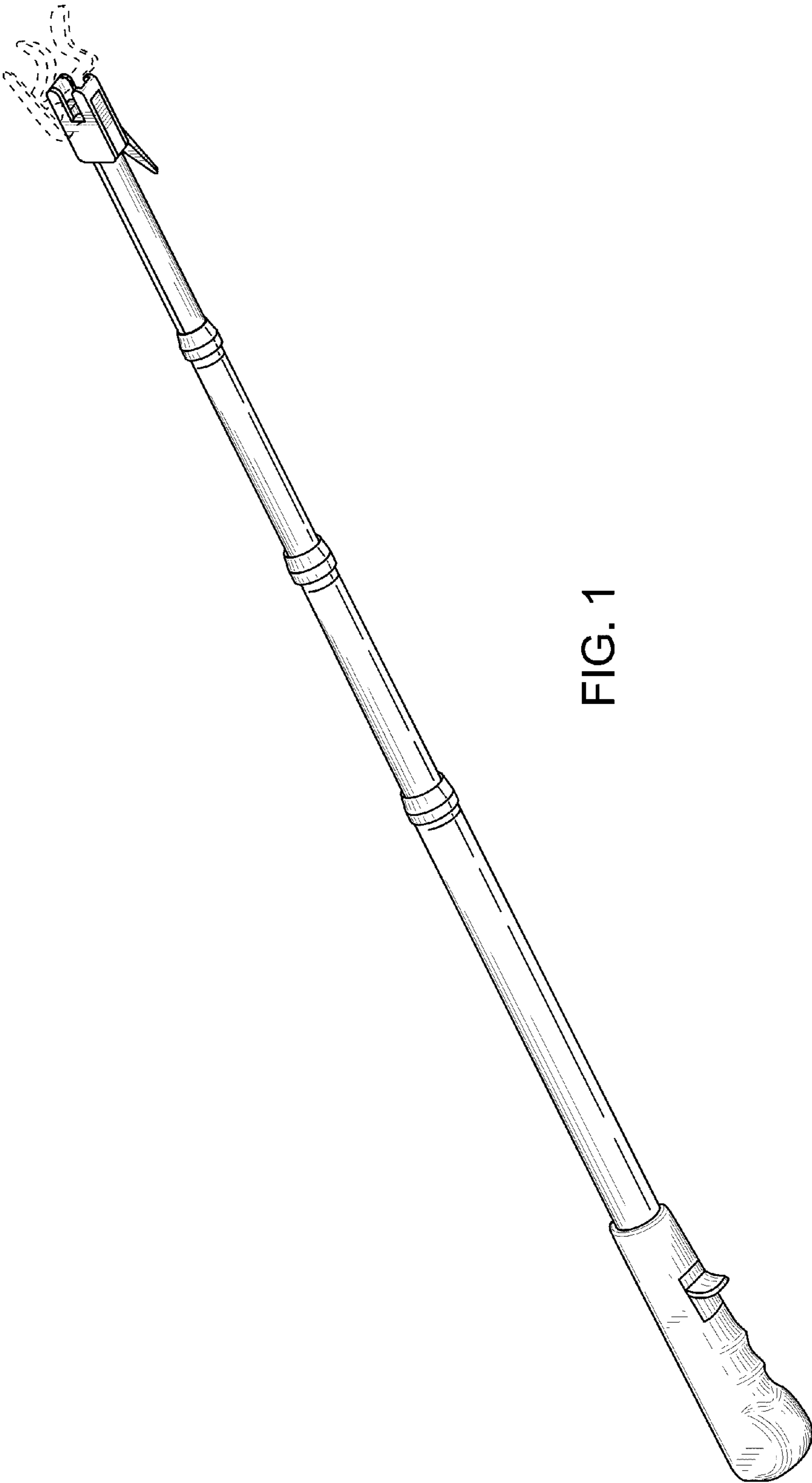


FIG. 1

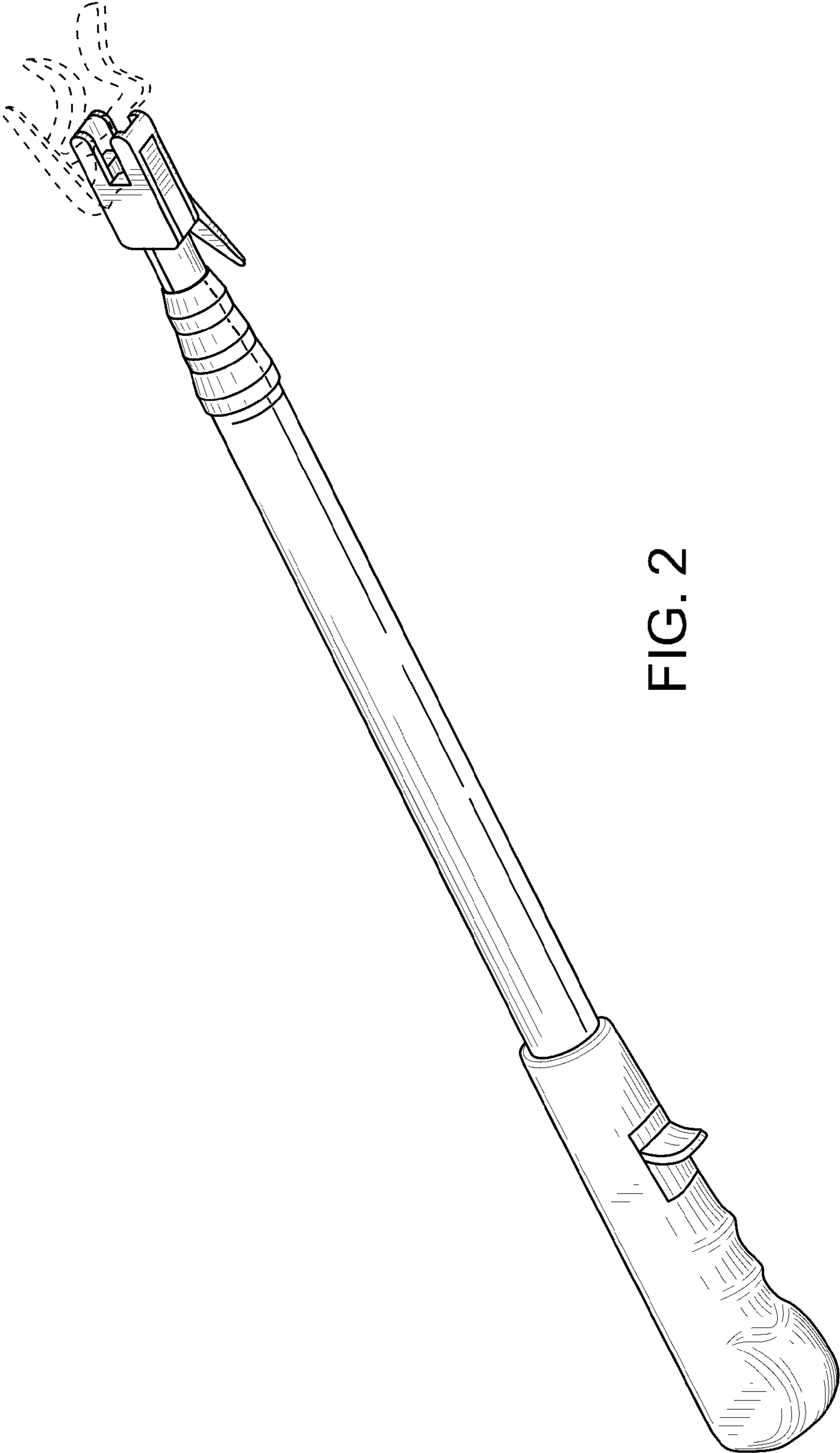


FIG. 2

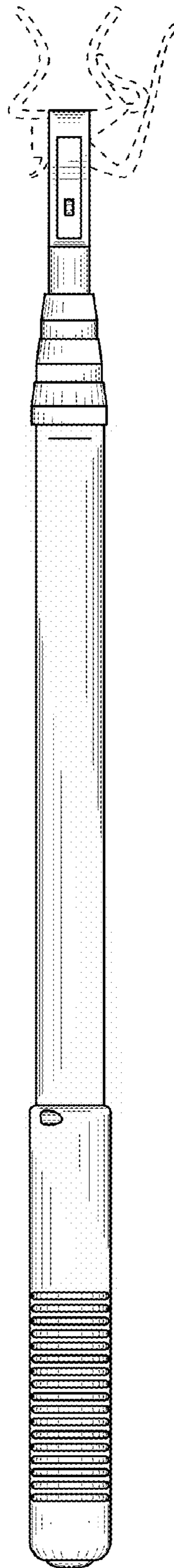


FIG. 3

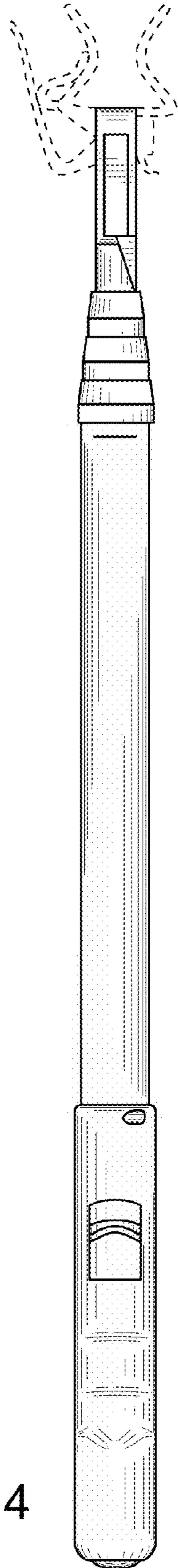


FIG. 4

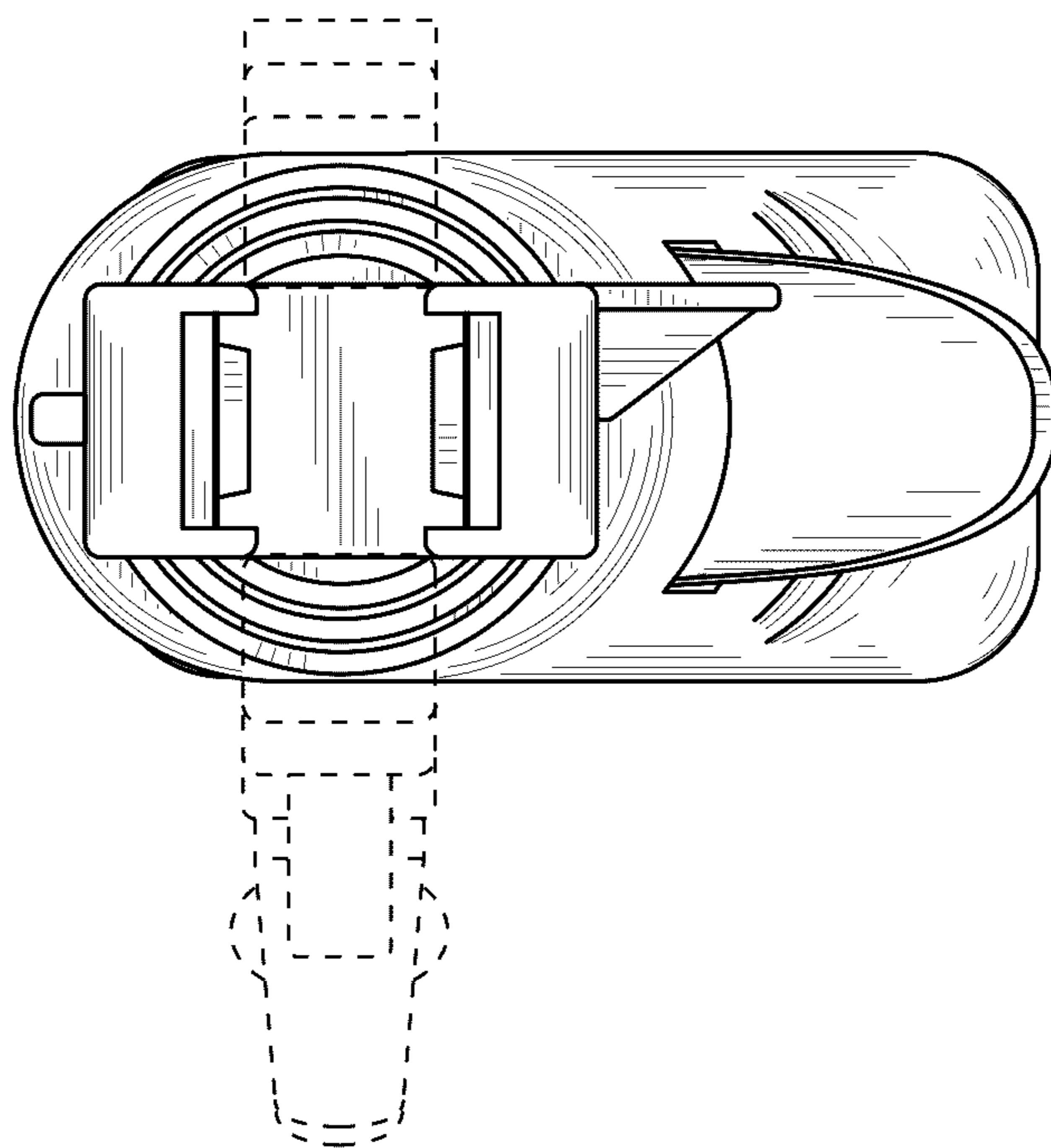


FIG. 5

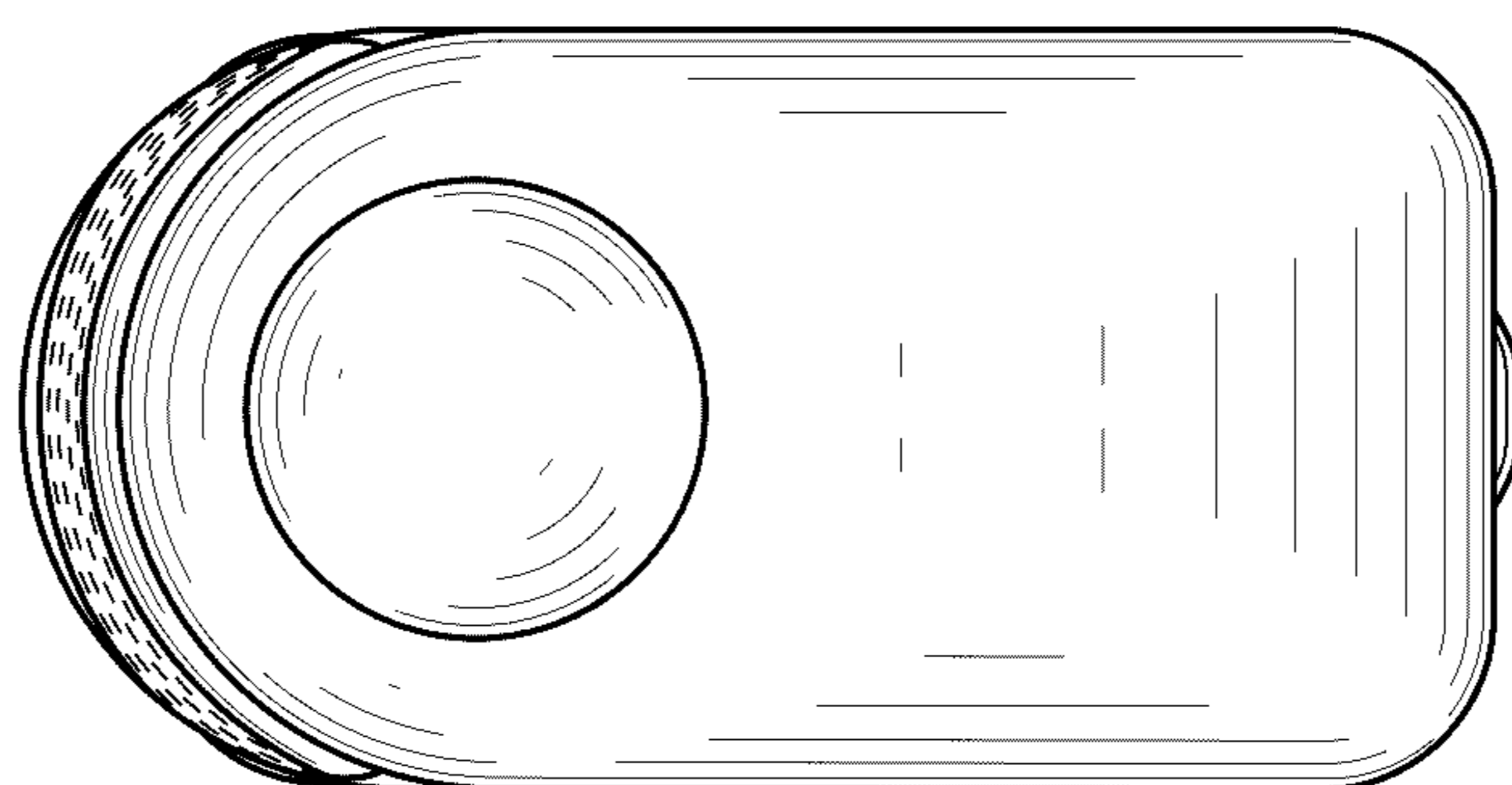


FIG. 6

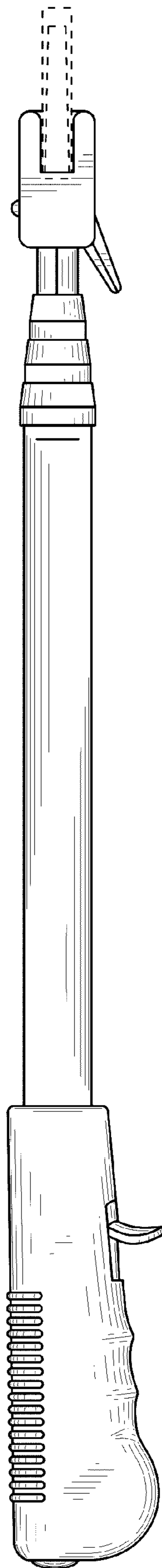


FIG. 7

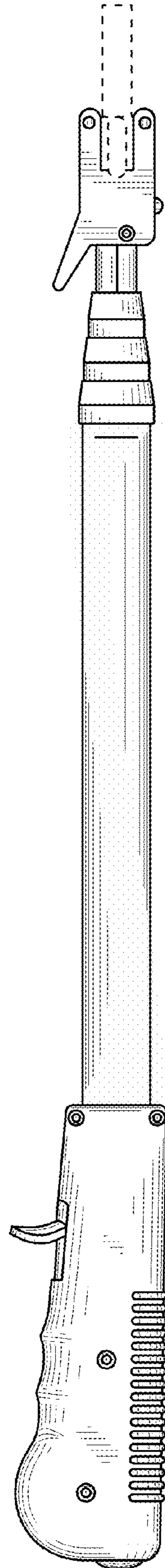


FIG. 8