



US00D772026S

(12) **United States Design Patent** (10) **Patent No.:** **US D772,026 S**  
**Schrawder** (45) **Date of Patent:** **\*\* Nov. 22, 2016**

(54) **GROUND-ENGAGING SUPPORT HEAD FOR A LINE TRIMMER**

(71) Applicant: **Laurence T. Schrawder**, Berlin, MD (US)

(72) Inventor: **Laurence T. Schrawder**, Berlin, MD (US)

(\*\*) Term: **15 Years**

(21) Appl. No.: **29/532,671**

(22) Filed: **Jul. 9, 2015**

(51) **LOC (10) Cl.** ..... **08-01**

(52) **U.S. Cl.**  
USPC ..... **D8/8; D15/17**

(58) **Field of Classification Search**  
USPC ..... D15/16, 17, 28; D8/1, 7, 8, 9; 30/276, 30/347, 208-210, 228, 282, 283; 56/127, 56/295, 12.7, 233, 234, DIG. 17  
CPC ..... A01D 34/416; A01D 34/4166; A01D 34/4167; A01D 34/84; A01D 34/90  
See application file for complete search history.

(56) **References Cited**

**U.S. PATENT DOCUMENTS**

D298,905 S *	12/1988	Petherick	.....	D8/8
4,926,557 A *	5/1990	Haupt	.....	A01D 34/4162 30/276
5,020,224 A *	6/1991	Haupt	.....	A01D 34/4162 30/276
D346,727 S *	5/1994	Eriksson	.....	D8/8
D465,975 S *	11/2002	Iacona	.....	D8/8
D482,581 S *	11/2003	Nystrom	.....	D8/8
D482,941 S *	12/2003	Nystrom	.....	D8/8
D502,368 S *	3/2005	Nystrom	.....	D8/8
D597,804 S *	8/2009	Alliss	.....	D8/8
D598,254 S *	8/2009	Alliss	.....	D8/8
D598,255 S *	8/2009	Alliss	.....	D8/8
D630,068 S *	1/2011	Proulx	.....	D8/8
D653,920 S *	2/2012	Cigarini	.....	D8/8
8,510,960 B2 *	8/2013	Pfaltzgraff	.....	A01D 34/4165 30/276
8,567,073 B2 *	10/2013	Proulx	.....	A01D 34/416 30/276

8,689,451 B2 *	4/2014	Cigarini	.....	A01D 34/416 30/276
D710,663 S	8/2014	Morabit	.....	
D715,608 S *	10/2014	Cigarini	.....	D8/8
D720,970 S *	1/2015	Hermann	.....	D8/8
D727,116 S *	4/2015	Tinius	.....	D15/17
D727,695 S *	4/2015	Tinius	.....	D15/17
D759,445 S *	6/2016	Tinius	.....	D15/17

\* cited by examiner

*Primary Examiner* — Mark Goodwin

(74) *Attorney, Agent, or Firm* — Mattingly & Malur, PC

(57) **CLAIM**

The ornamental design for a ground-engaging support head for a line trimmer, as illustrated and described.

**DESCRIPTION**

FIG. 1 is a front top perspective view of a first embodiment of my new design for a ground-engaging support head for a line trimmer;

FIG. 2 is a front top perspective view thereof, with the drive head of the line trimmer removed;

FIG. 3 is a front bottom perspective view thereof;

FIG. 4 is a top plan view thereof;

FIG. 5 is a bottom plan view thereof;

FIG. 6 is a front elevation view thereof;

FIG. 7 is a rear elevation view thereof;

FIG. 8 is a left side elevation view thereof;

FIG. 9 is a right side elevation view thereof;

FIG. 10 is a front top perspective view of a second embodiment of my new design for a ground-engaging support head for a line trimmer;

FIG. 11 is a front bottom perspective view thereof;

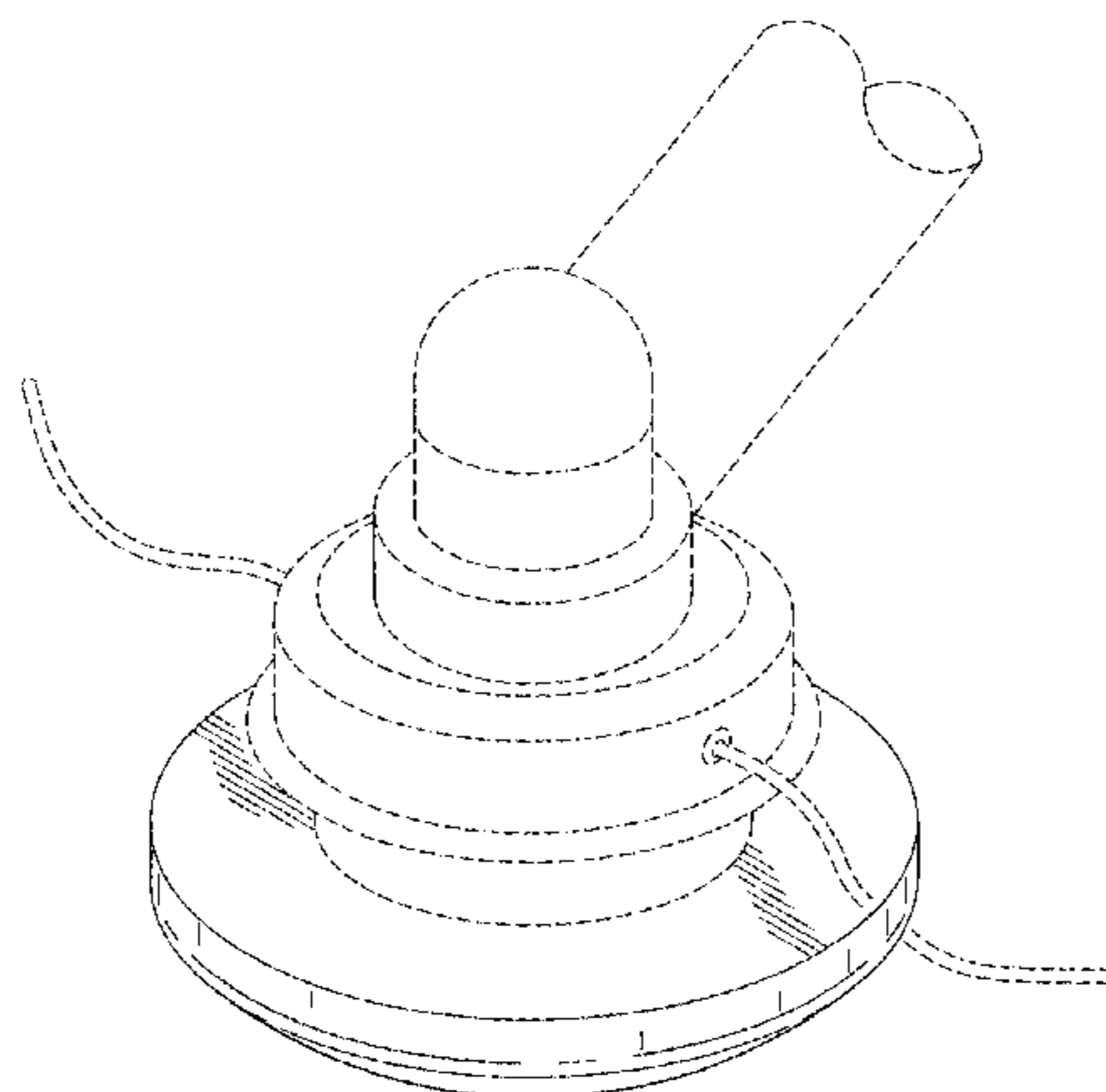
FIG. 12 is a top plan view thereof;

FIG. 13 is a bottom plan view thereof; and,

FIG. 14 is a side elevation view thereof.

The broken lines showing a line trimmer drive head, a line reel assembly; drive head receiving sockets and associated line segments are included for showing unclaimed subject matter and form no part of the claimed design.

**1 Claim, 7 Drawing Sheets**



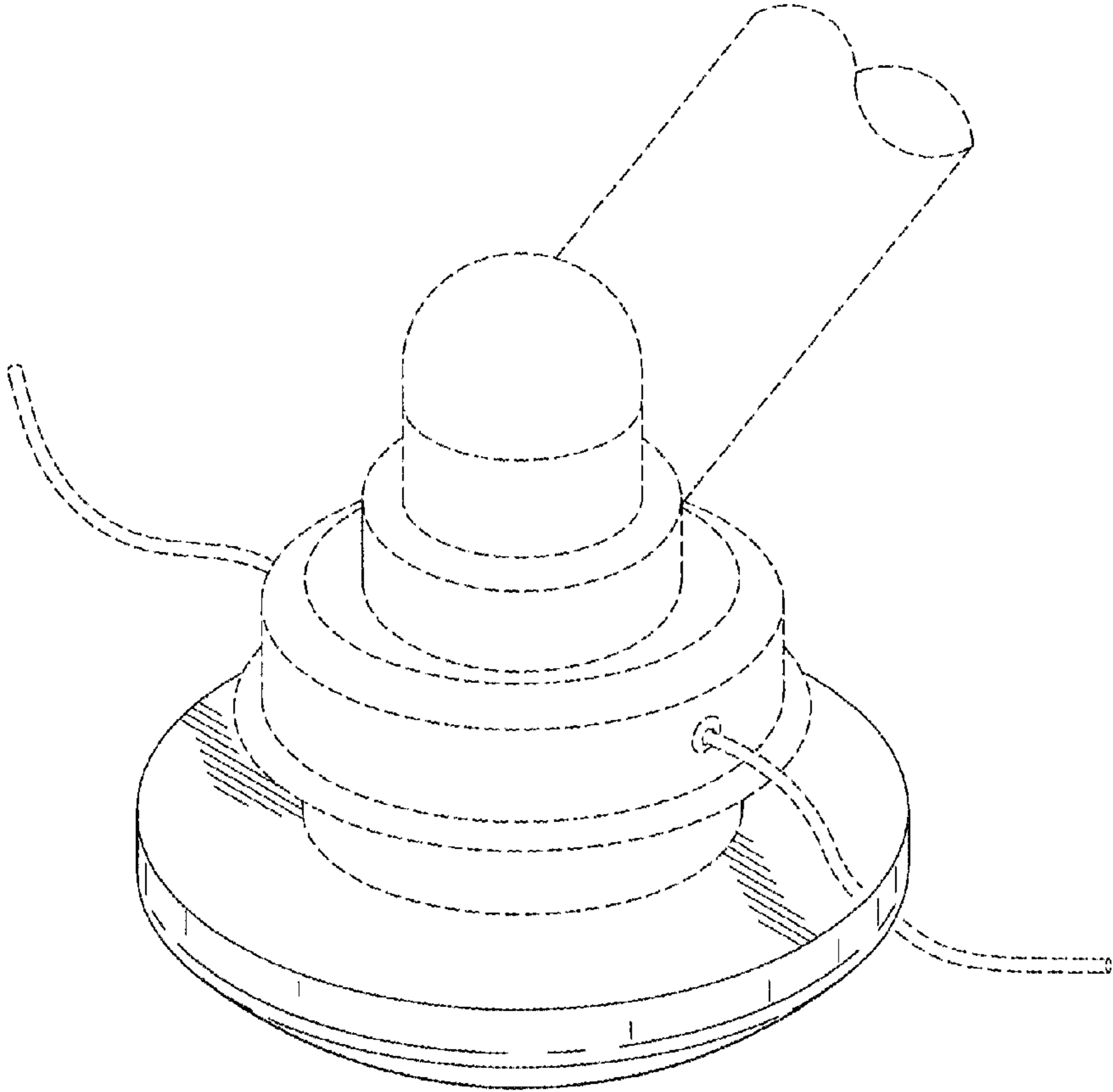


FIG. 1

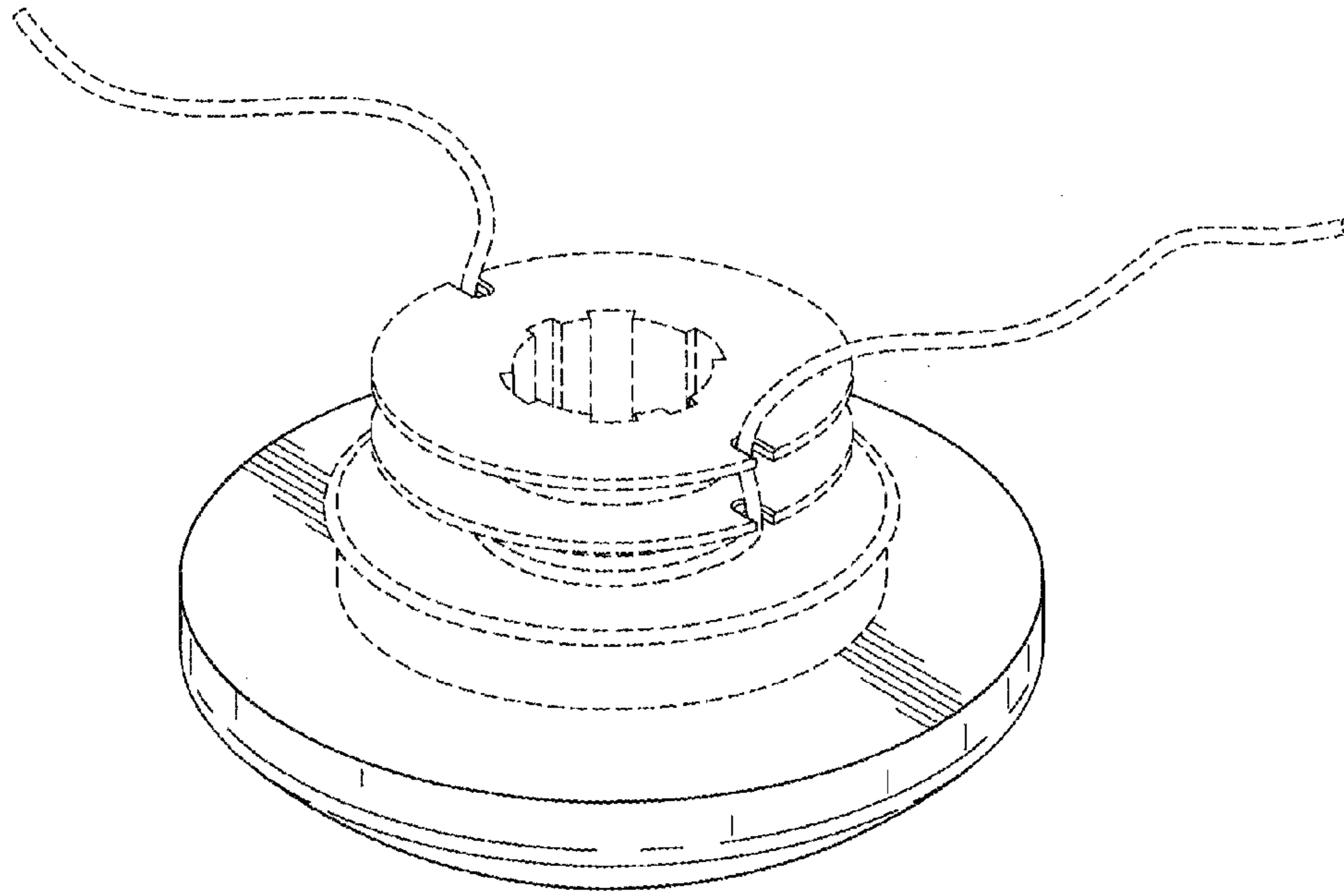


FIG. 2

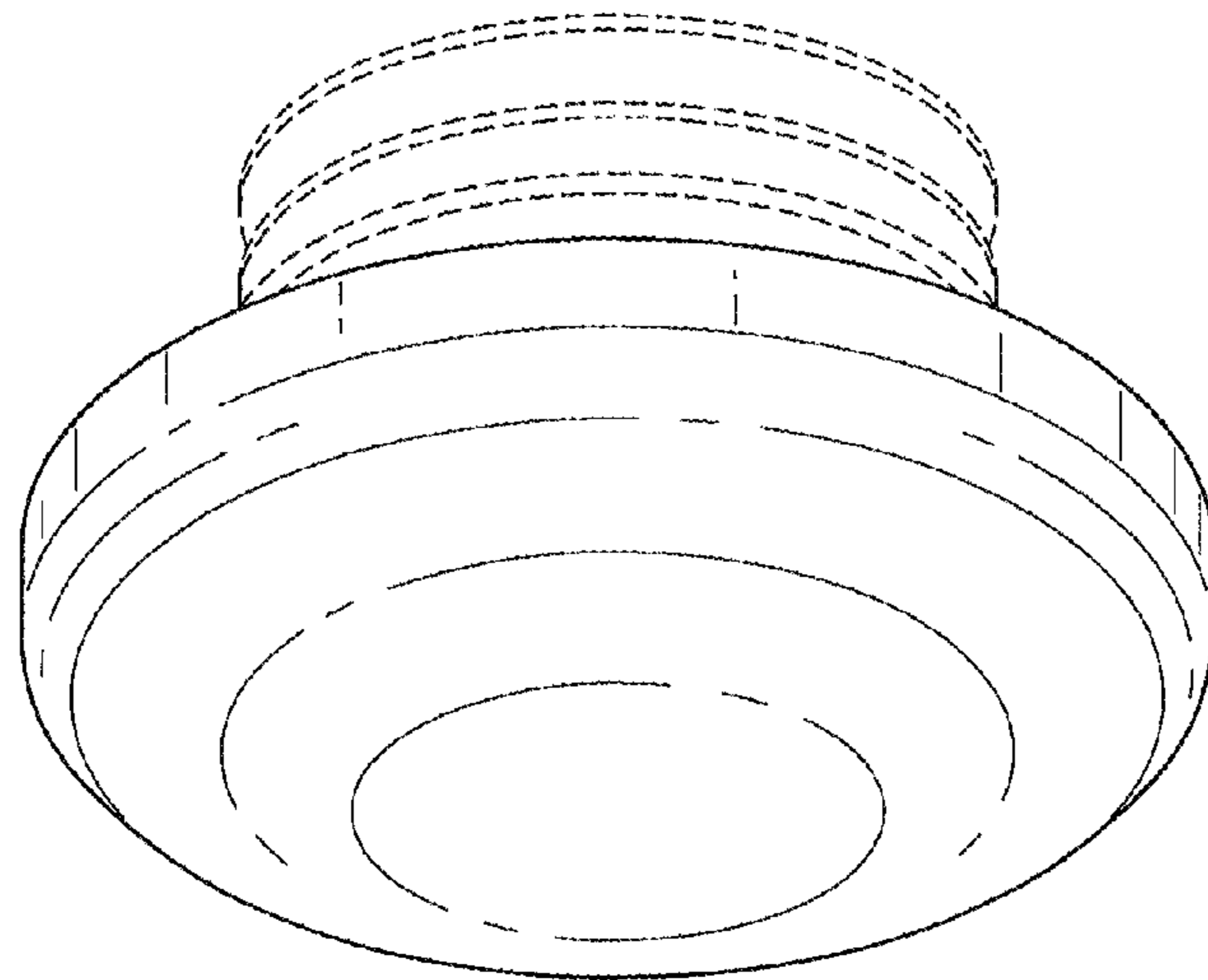


FIG. 3

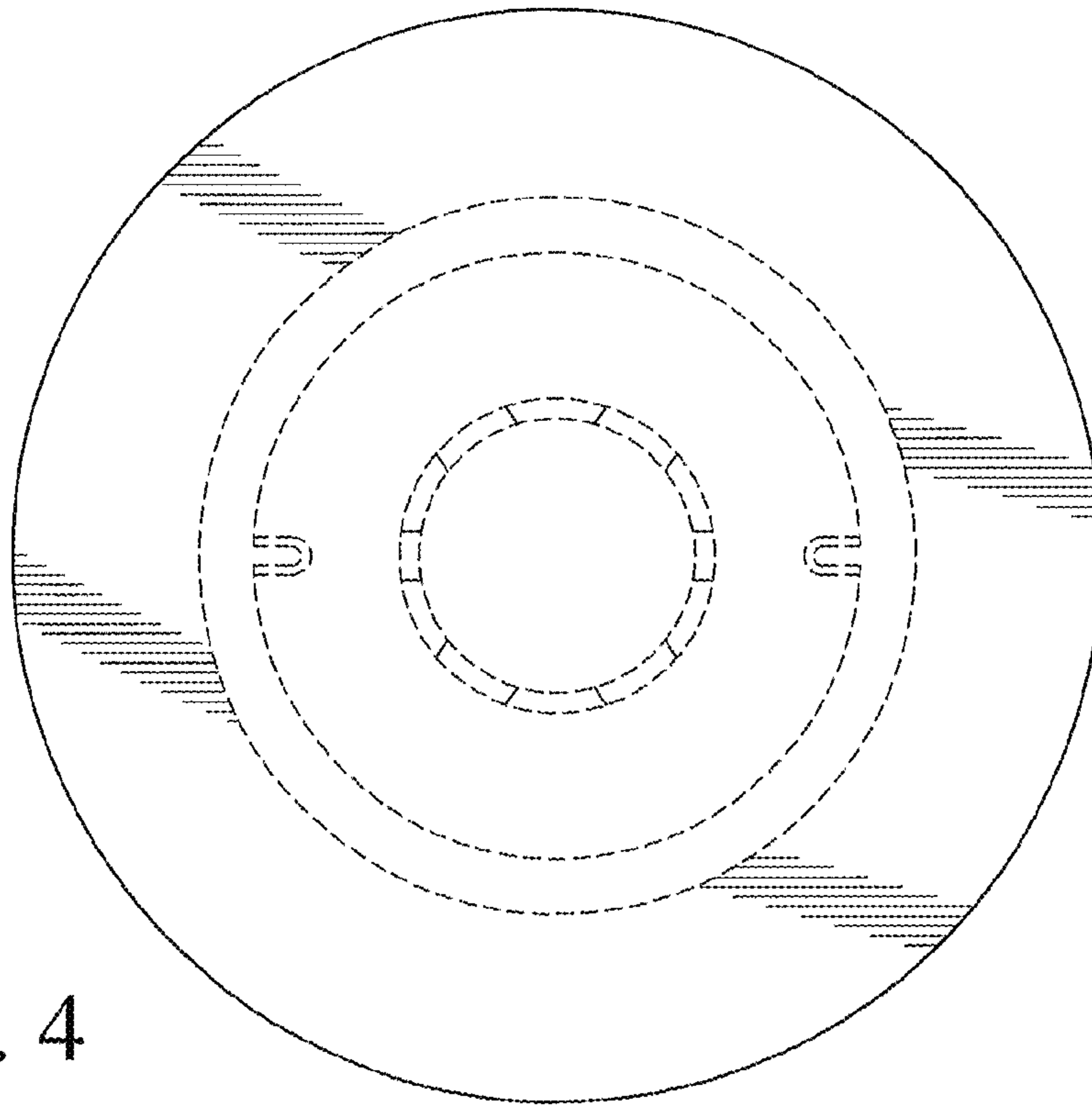


FIG. 4

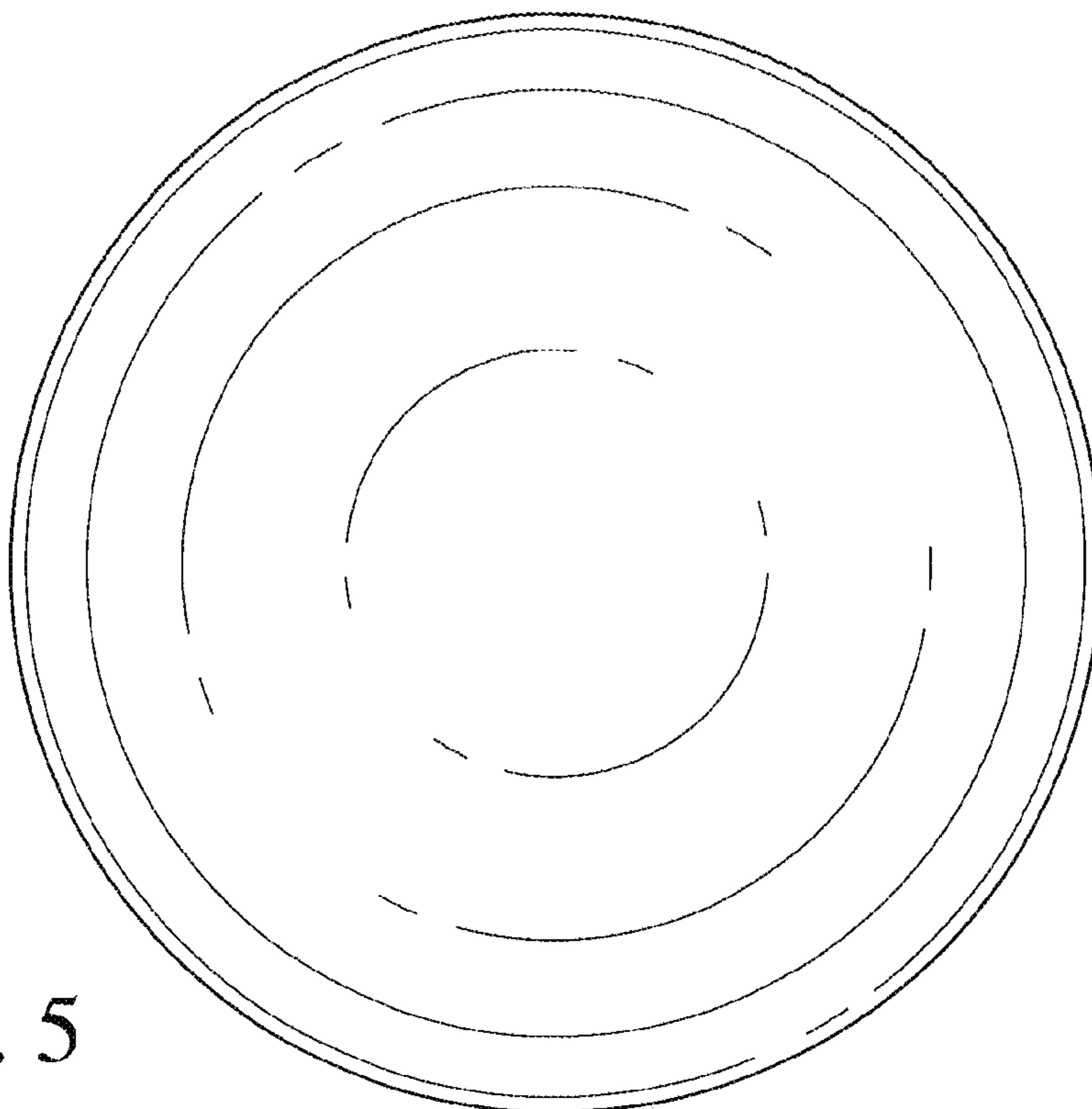


FIG. 5

FIG. 6

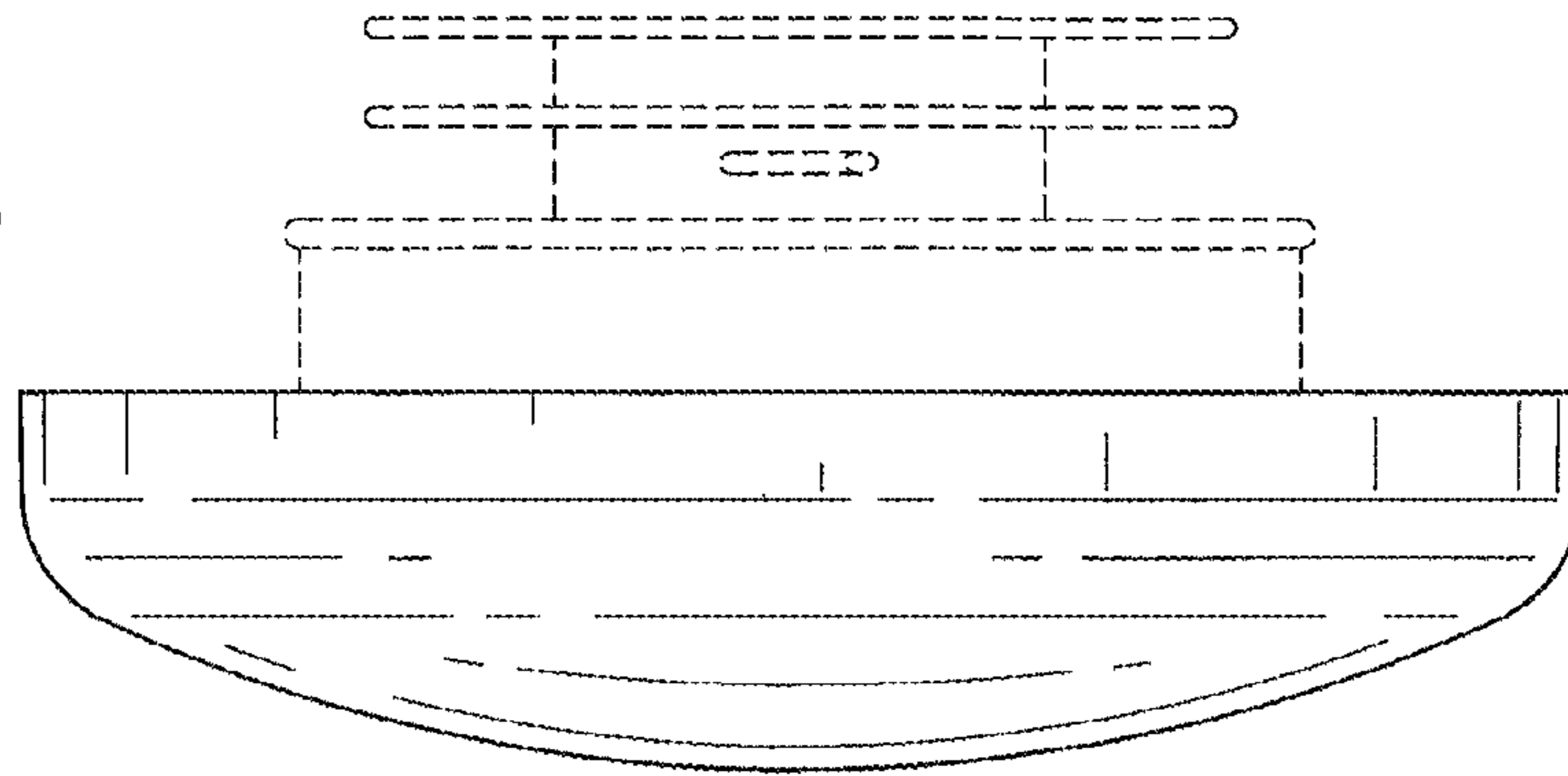


FIG. 7

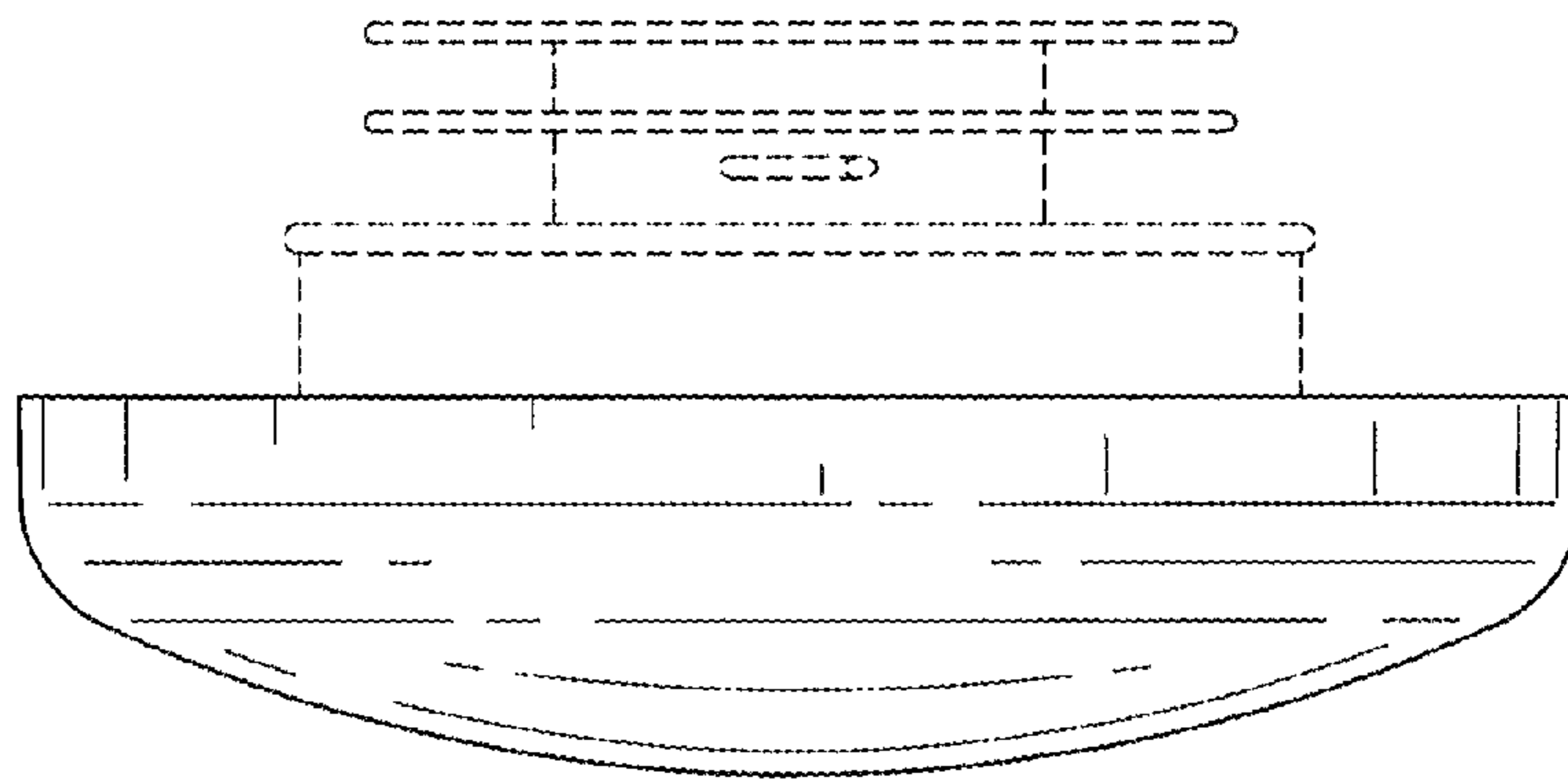


FIG. 8

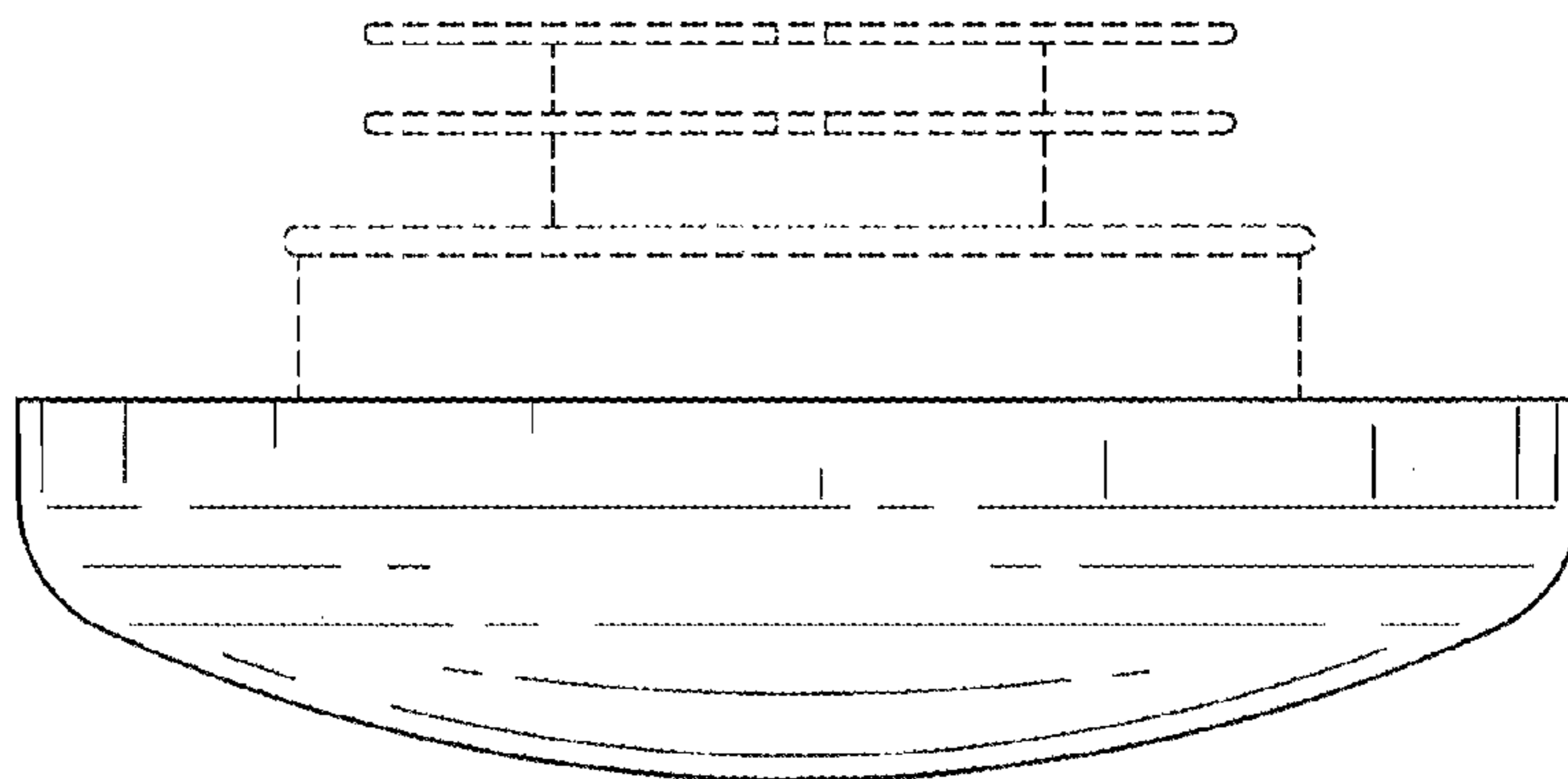
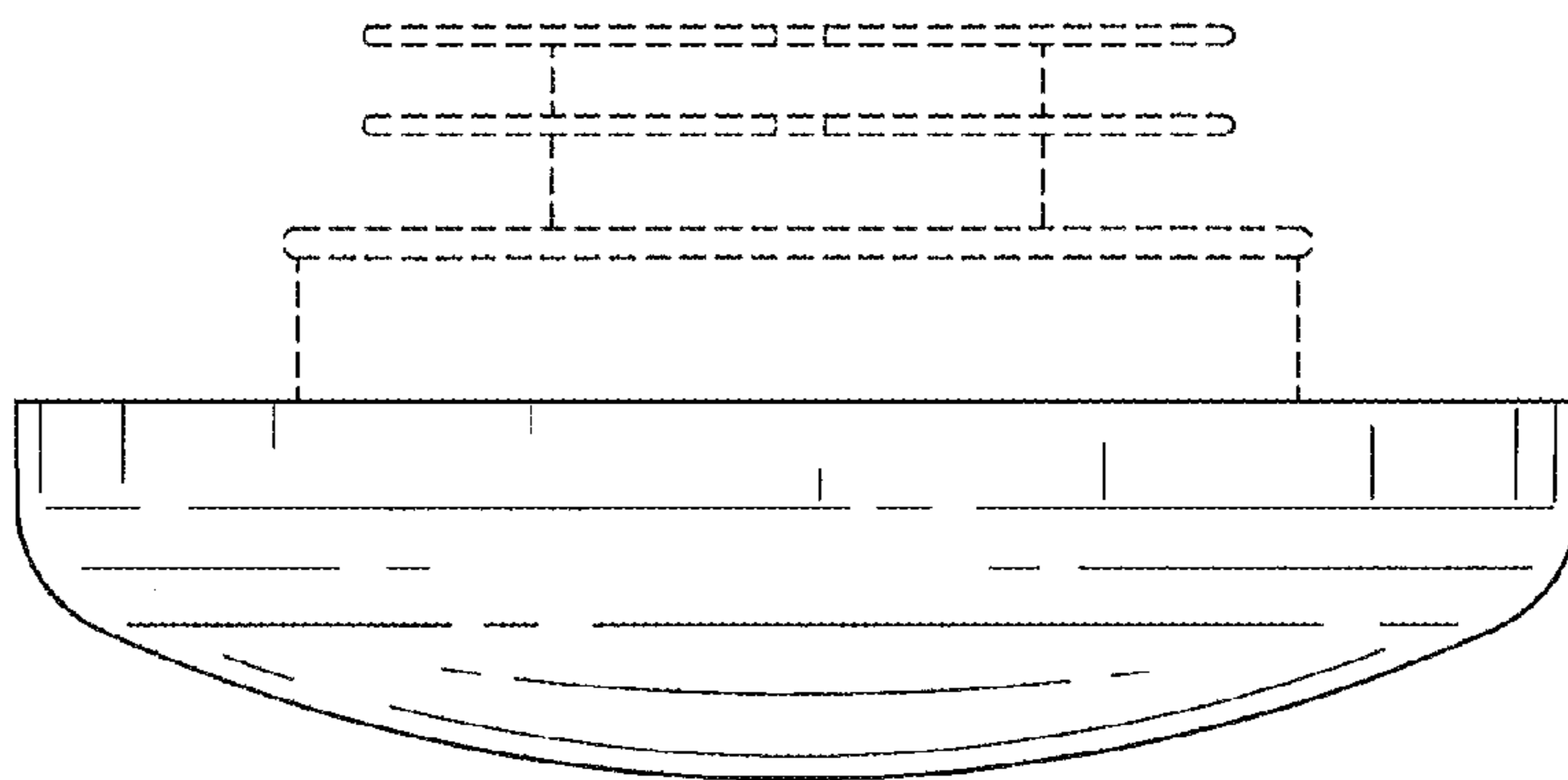


FIG. 9



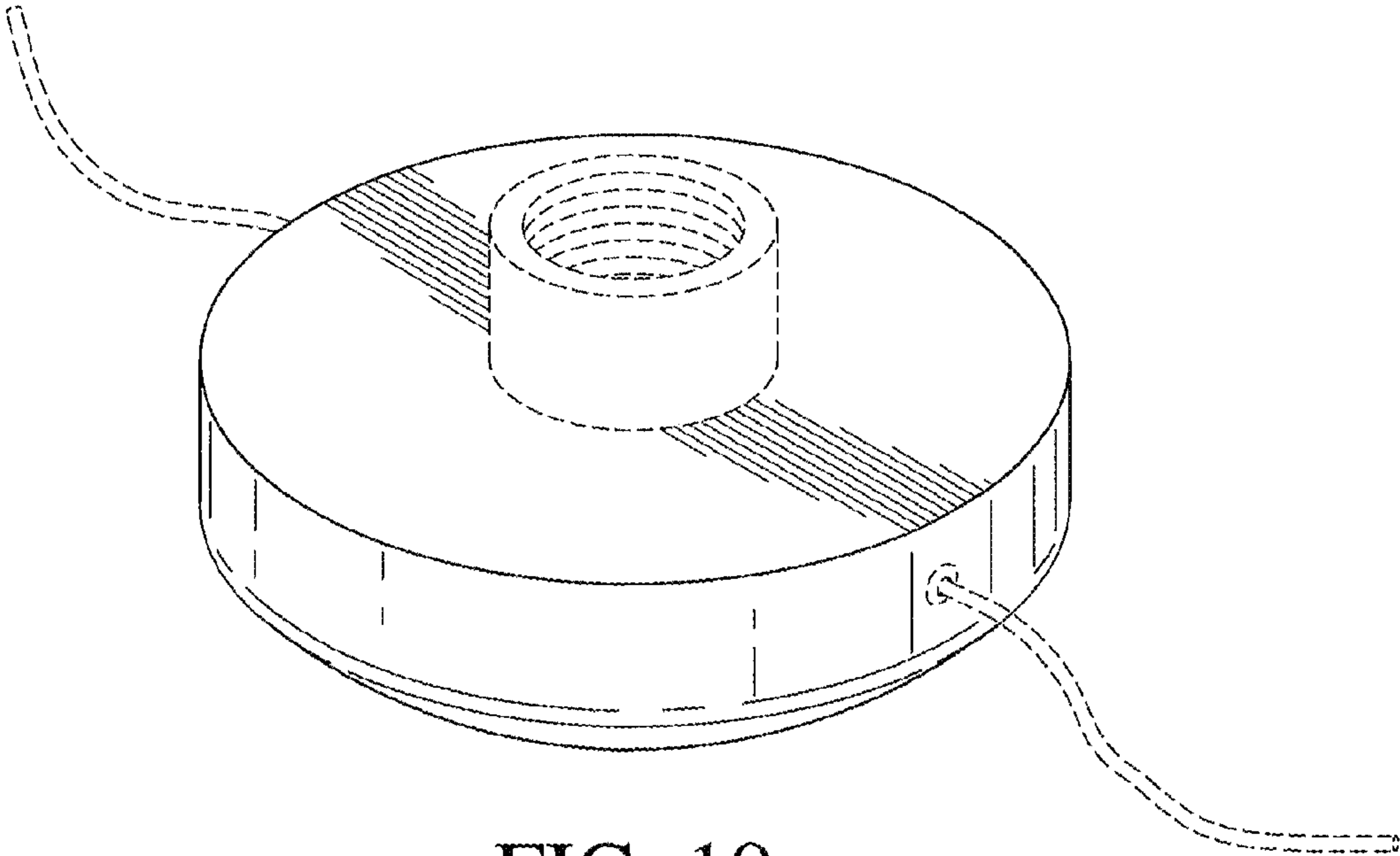


FIG. 10

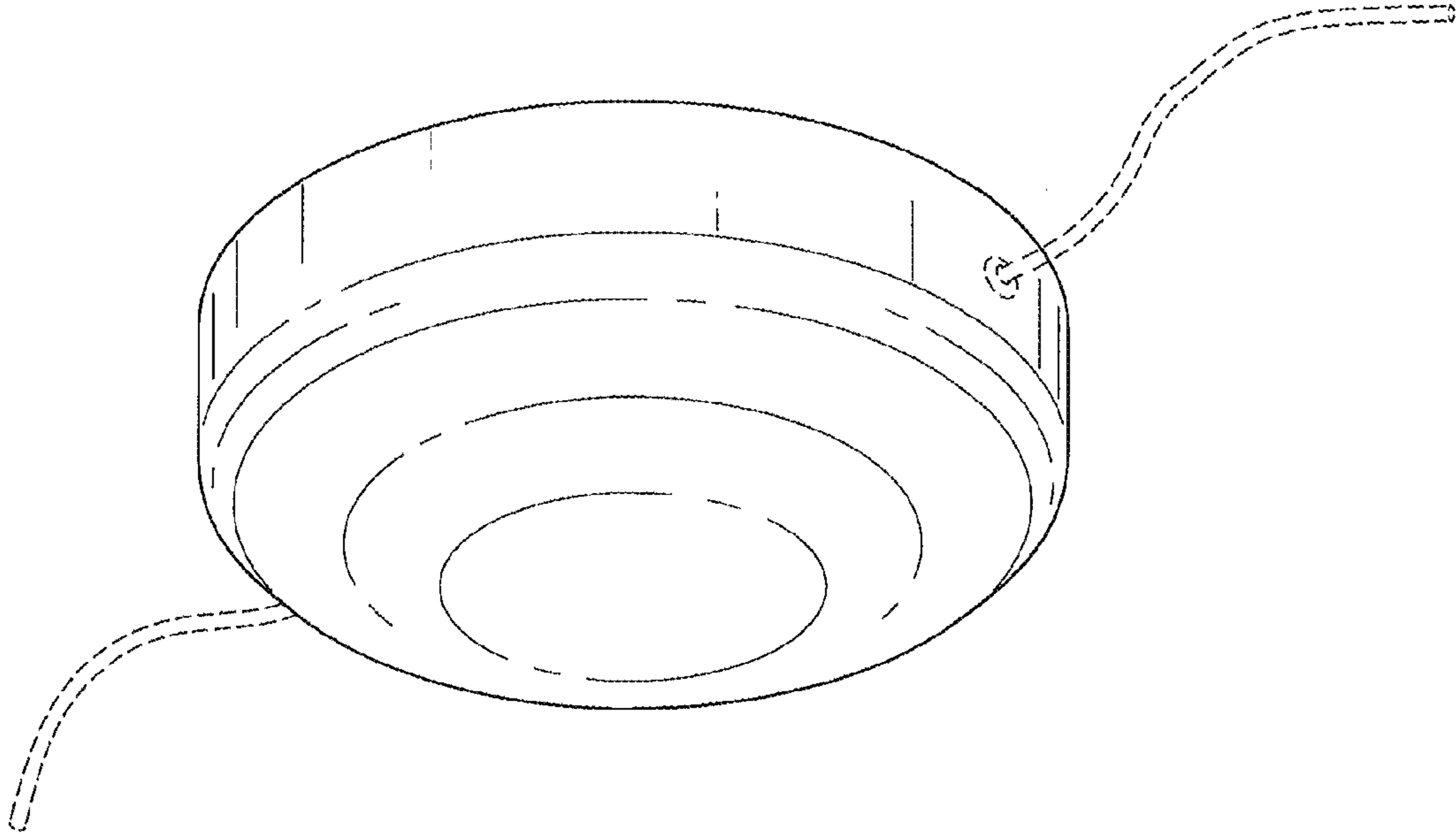


FIG. 11

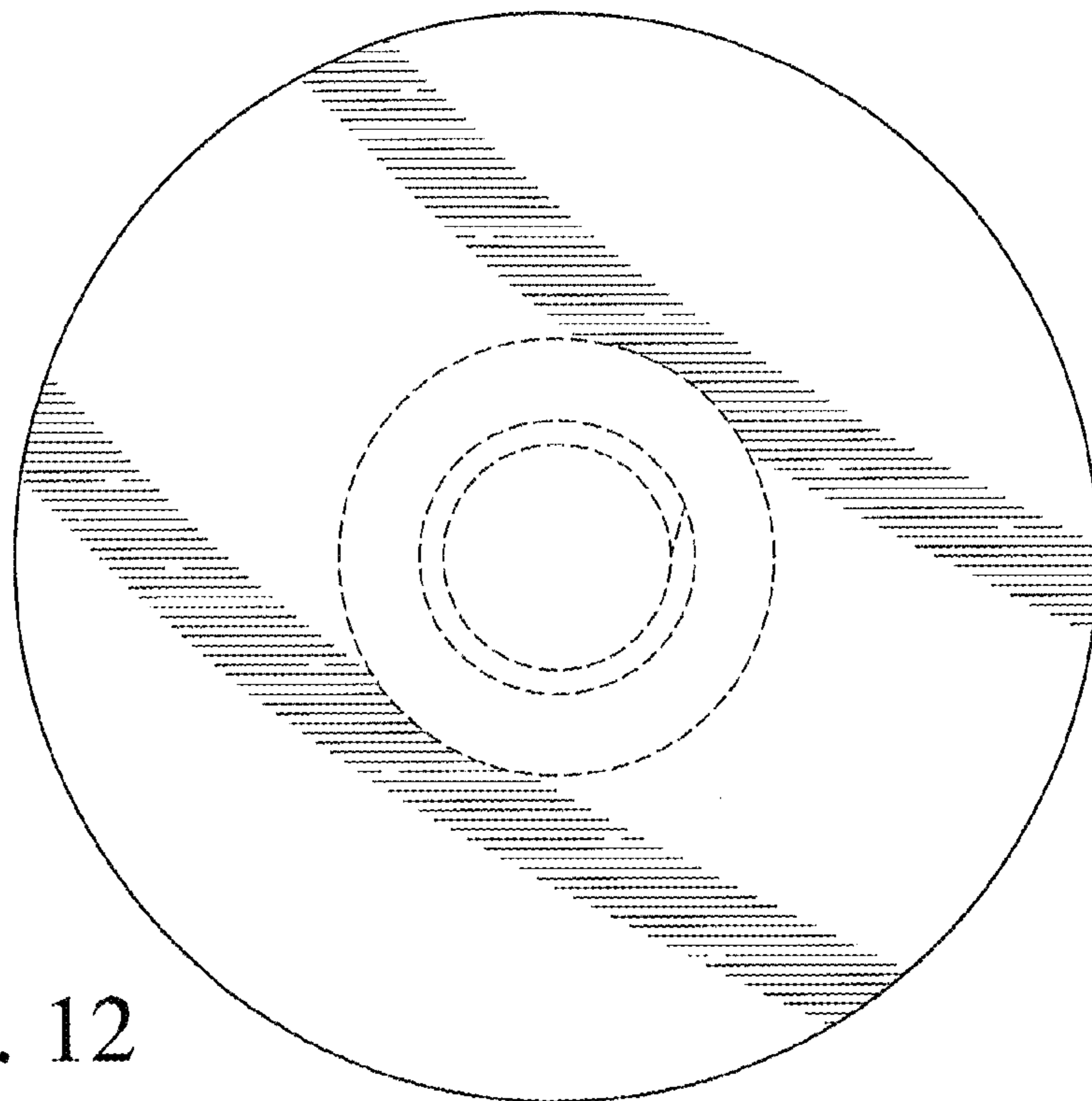


FIG. 12

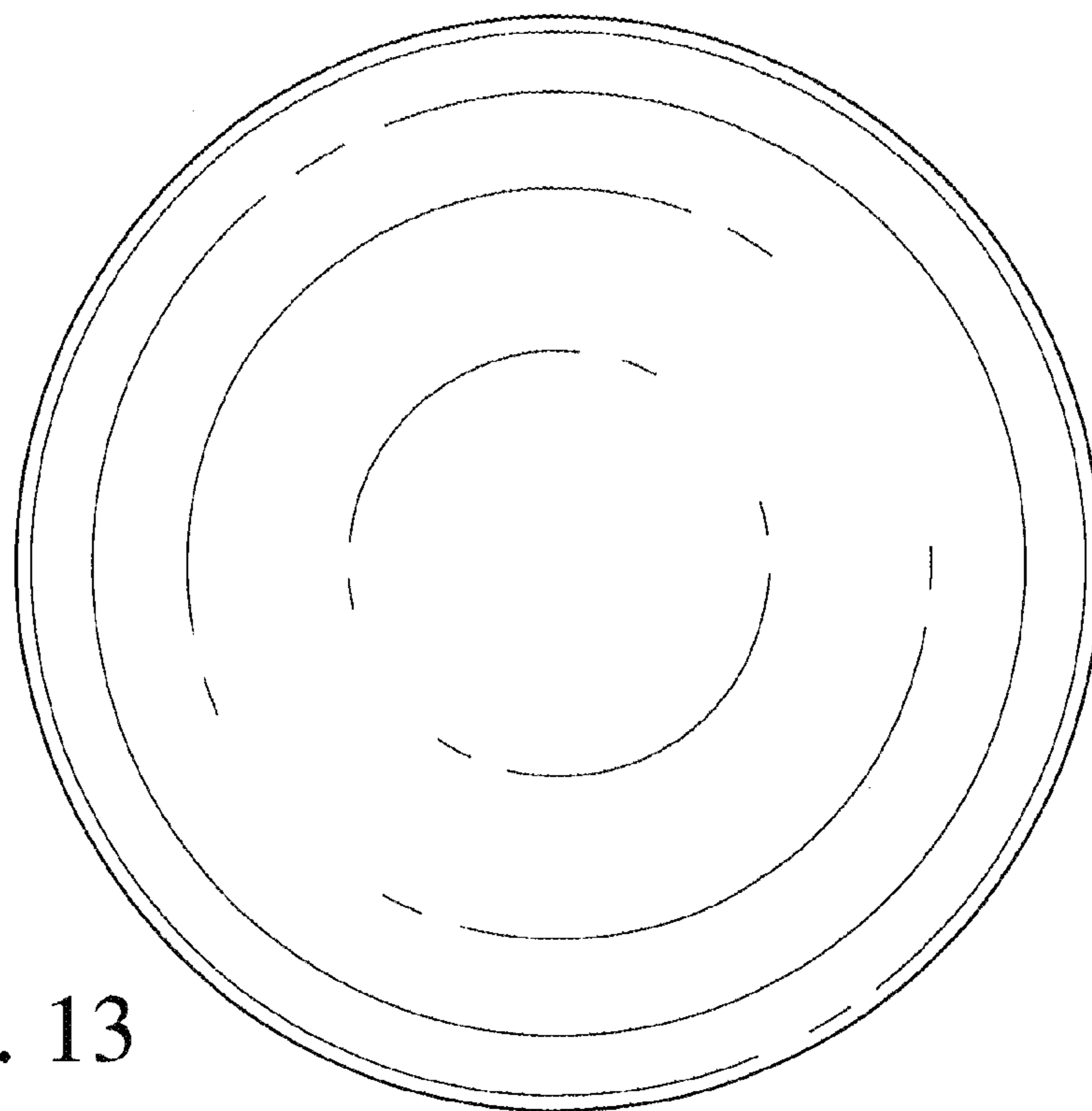


FIG. 13

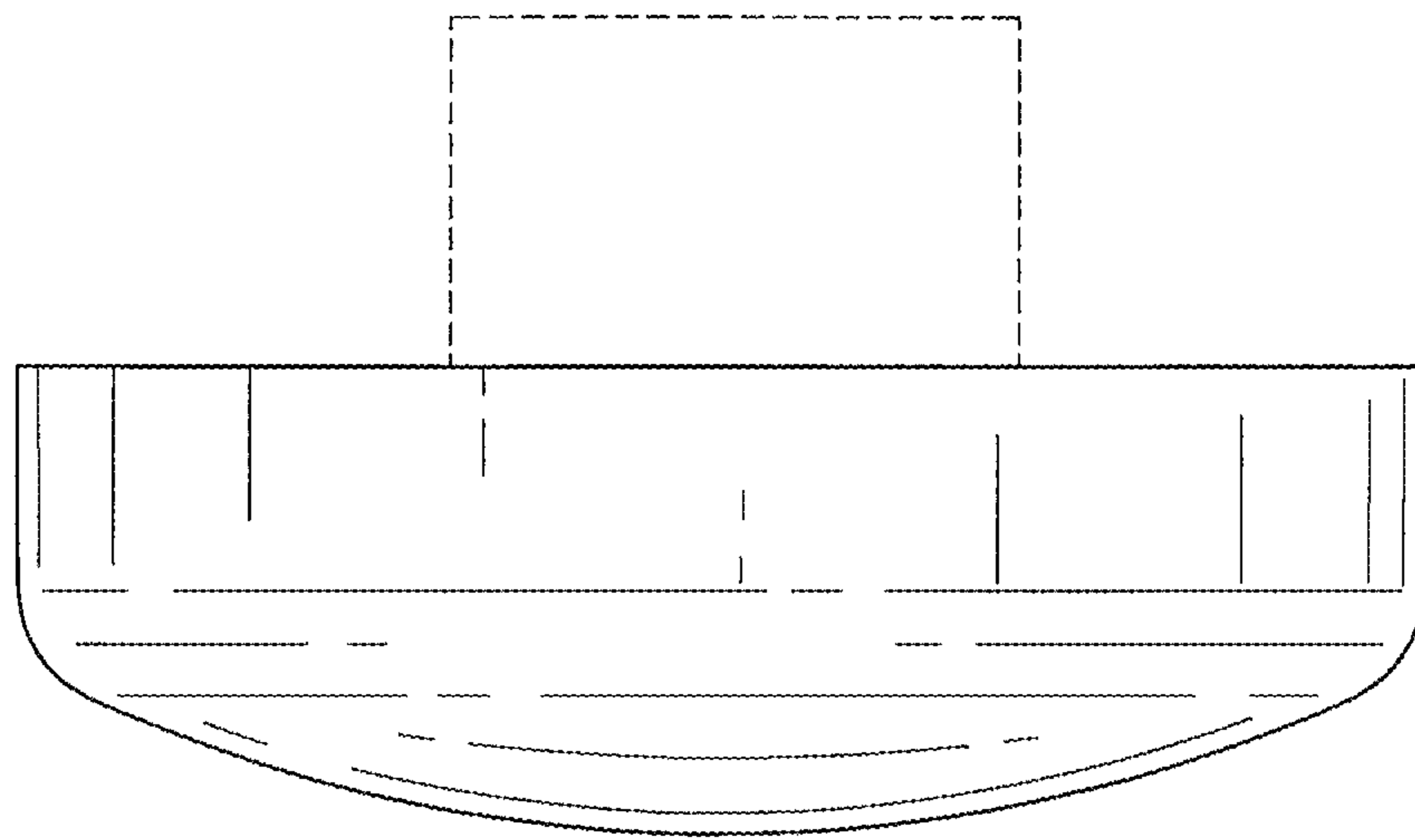


FIG. 14