



US00D772025S

(12) **United States Design Patent** (10) **Patent No.:** **US D772,025 S**
Salzl (45) **Date of Patent:** **** Nov. 22, 2016**

(54) **TORTILLA CHIP FUNNEL**

(71) Applicant: **Tyson Foods, Inc.**, Springdale, AR (US)

(72) Inventor: **Gregory Vernon Salzl**, Spokane, WA (US)

(73) Assignee: **Tyson Foods, Inc.**, Springdale, AR (US)

(**) Term: **14 Years**

(21) Appl. No.: **29/498,927**

(22) Filed: **Aug. 8, 2014**

(51) **LOC (10) Cl.** **07-99**

(52) **U.S. Cl.**
USPC **D7/700**

(58) **Field of Classification Search**
USPC D7/700, 354, 356, 357, 361, 368, 396.2, D7/667, 400, 409, 543, 523, 510, 512, 629, D7/668, 669, 691, 589, 412, 415; D9/436, D9/434, 435, 503, 536; D10/46.2; D14/208; D15/150, 152; D23/200; D24/121, 122, 123; D30/129, 132, 162
CPC A61F 5/4556; A61F 5/4553; A61F 5/455; A61F 5/451; A61F 5/44; A61F 5/453; B01D 23/28; B01D 23/00; B01D 23/005; B01D 23/10; B01D 23/20; B01D 29/00; B01D 29/0002; B01D 29/0093; B01D 29/0095; B01D 29/0097; B01D 29/085; B01D 29/11; B01D 29/112; B01D 29/114; B01D 29/117; B01D 29/13; B01D 29/31; B01D 29/115; B01D 29/118; B01D 29/15; B01D 29/23; B01D 29/33; B01D 29/35; B65B 39/00; B65B 39/04; B65B 39/001; B65B 39/06; B65B 39/12; B65B 39/14; F16N 31/00; B67C 2011/00; B67C 2011/02; B67C 2011/20; B67C 2011/30; B67C 2011/40; B67C 2011/022; B67C 2011/027
See application file for complete search history.

(56) **References Cited**

U.S. PATENT DOCUMENTS

1,564,489	A *	12/1925	Neil	B65D 47/06
				141/309
1,599,835	A *	9/1926	Nelson	B01D 23/28
				210/445
1,703,266	A *	2/1929	Dowling	B01D 23/28
				210/482
2,225,660	A *	12/1940	Rogers	F42B 33/0264
				138/148
3,063,604	A *	11/1962	Malpas	B65D 47/061
				222/525
3,075,676	A *	1/1963	Borah	B65D 47/063
				222/527
3,263,876	A *	8/1966	Perfetto	B65D 47/12
				222/569
3,789,891	A *	2/1974	Bosch	F41A 9/83
				124/49
D287,872	S *	1/1987	Eriksson	D23/259
4,640,083	A *	2/1987	Takahashi	B65B 39/04
				141/285
4,993,497	A *	2/1991	Majors	A62C 3/06
				169/66

(Continued)

Primary Examiner — Manpreet Matharu
Assistant Examiner — Mojtaba Tehrani
(74) *Attorney, Agent, or Firm* — Mark E. Stallion, Esq.;
Husch Blackwell LLP

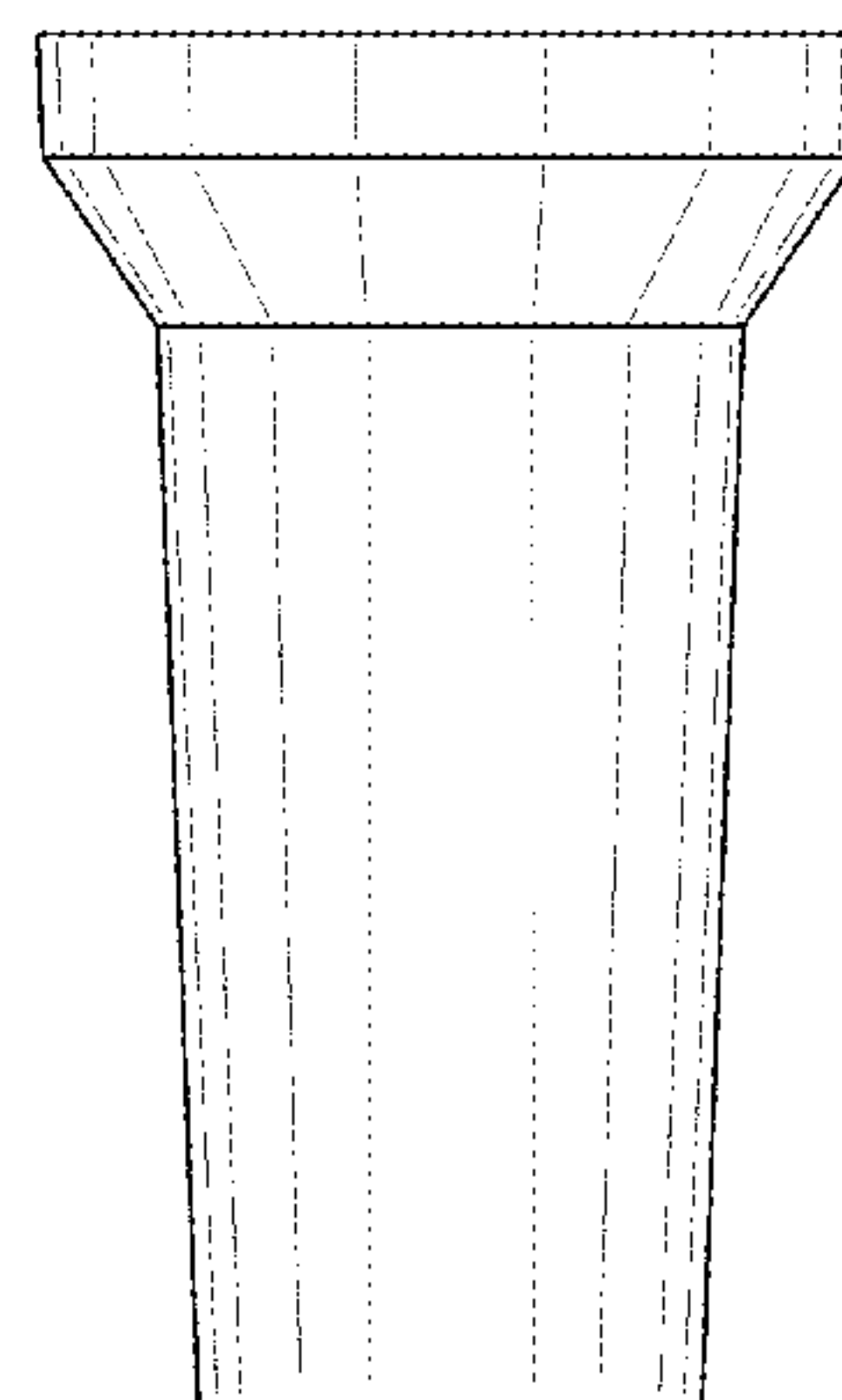
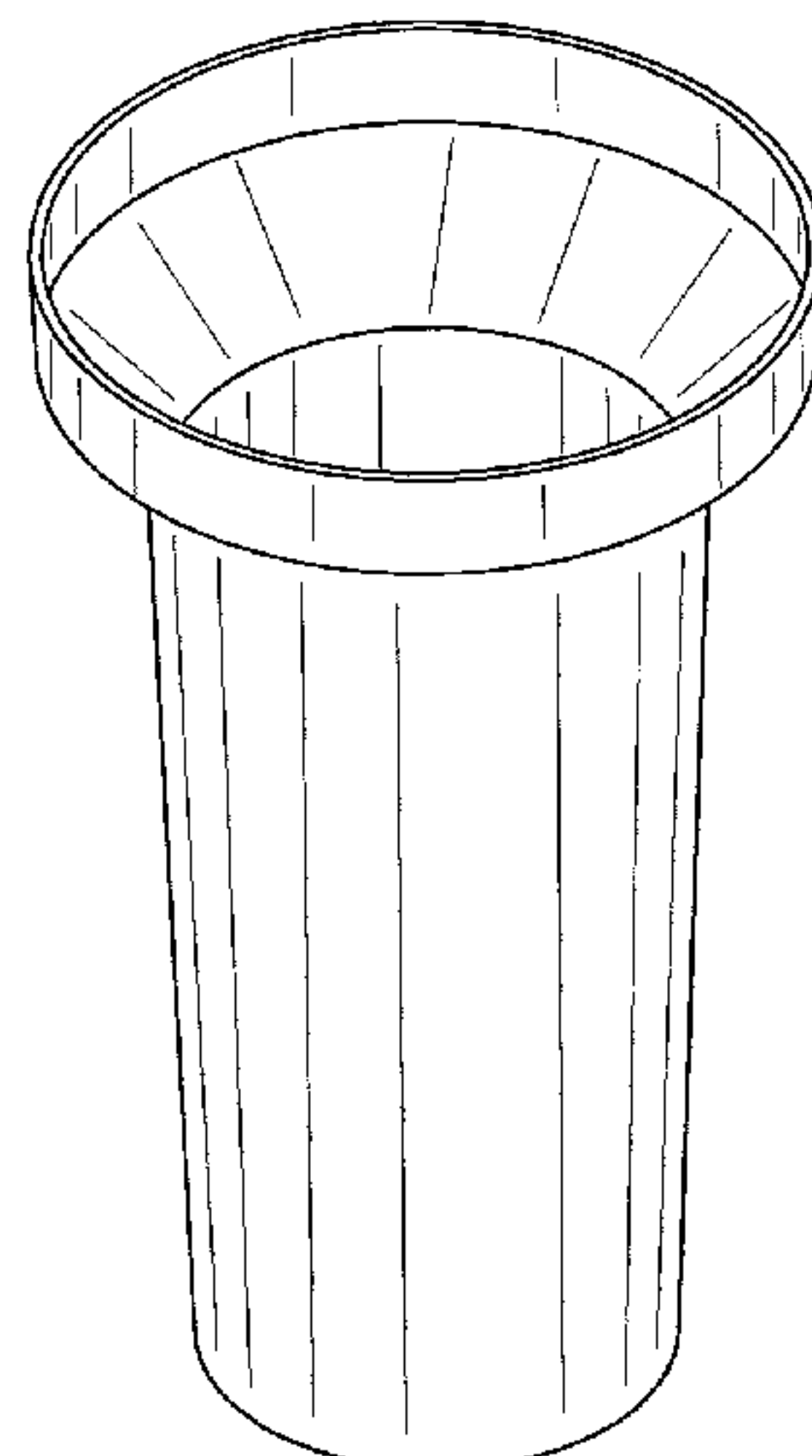
(57) **CLAIM**

The ornamental design for a tortilla chip funnel, as shown.

DESCRIPTION

FIG. 1 is a top perspective view of a tortilla chip funnel, showing my new design;
FIG. 2 is a bottom perspective view thereof;
FIG. 3 is an alternative top perspective view thereof;
FIG. 4 is a front elevation view thereof;
FIG. 5 is a rear elevation view thereof;
FIG. 6 is a top plan view thereof; and,
FIG. 7 is a bottom plan view thereof.

1 Claim, 2 Drawing Sheets



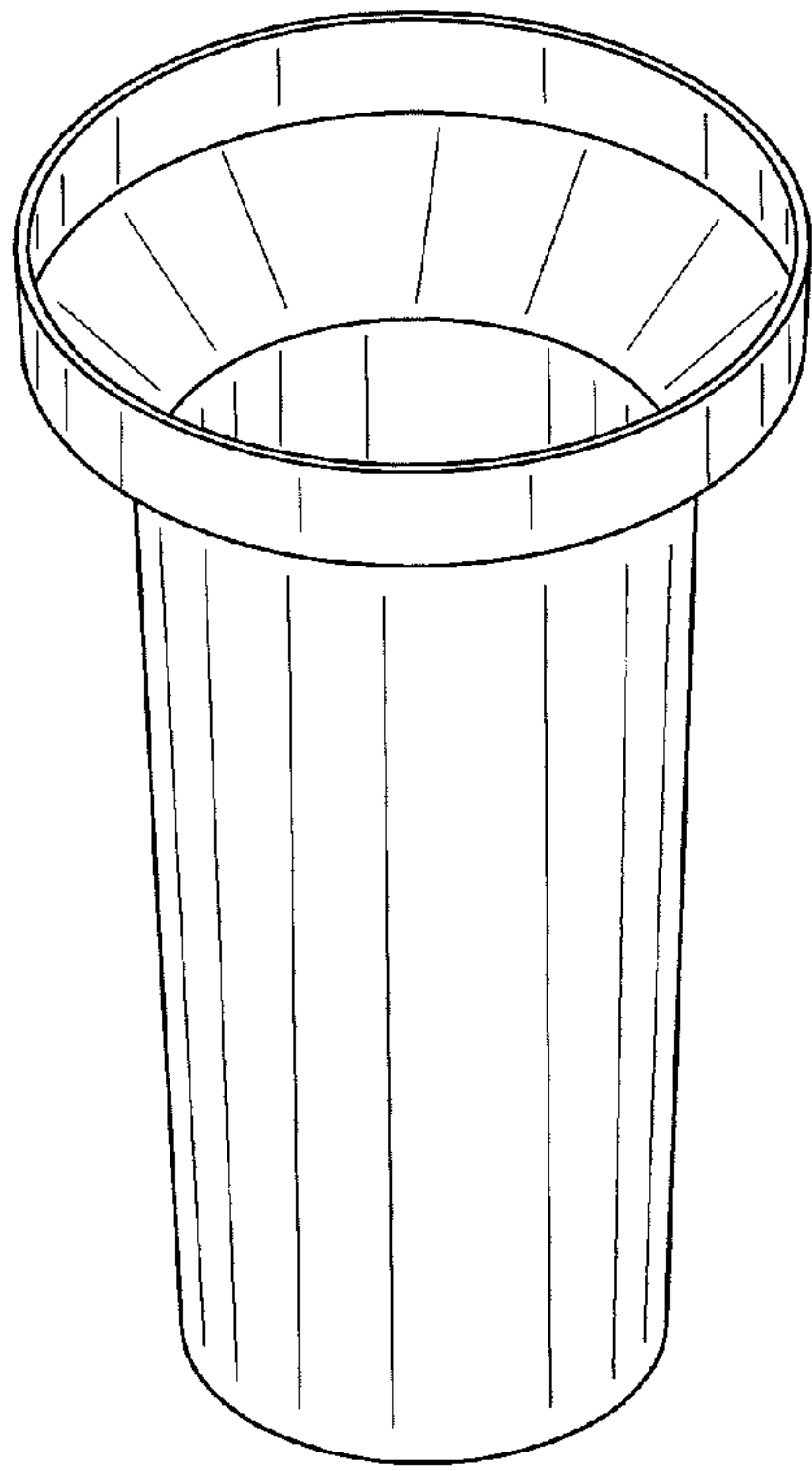


FIG. 1

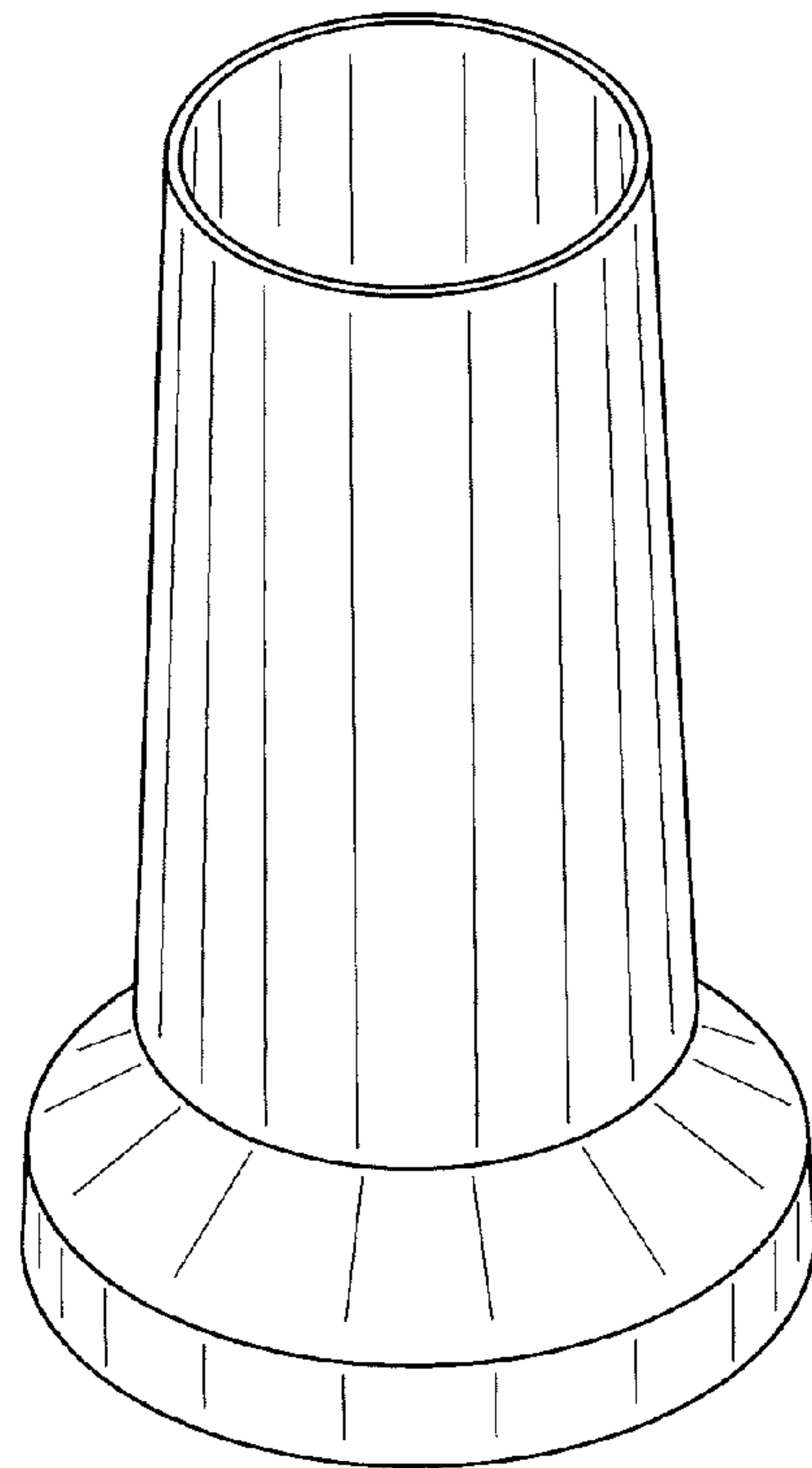


FIG. 2

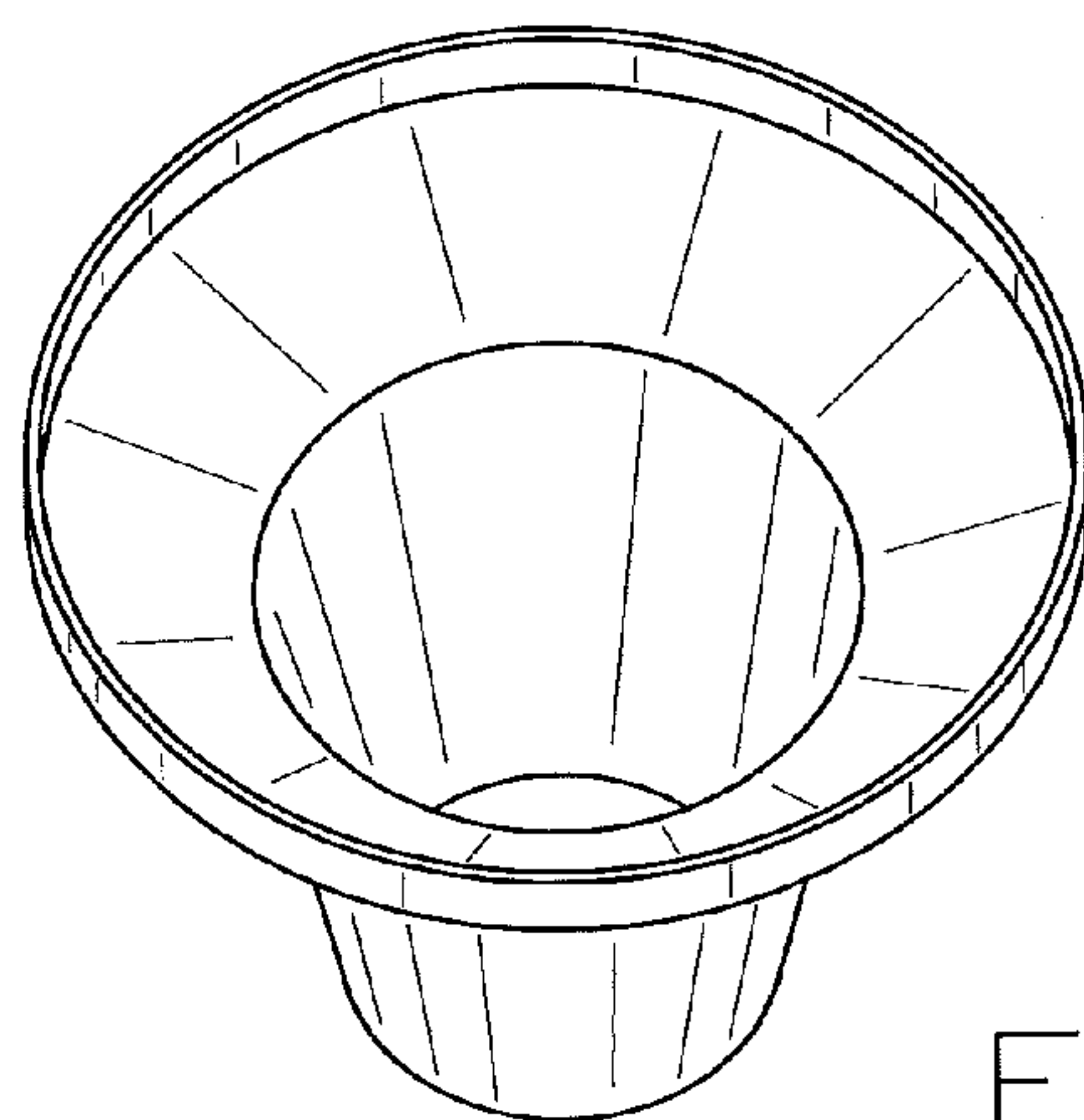


FIG. 3

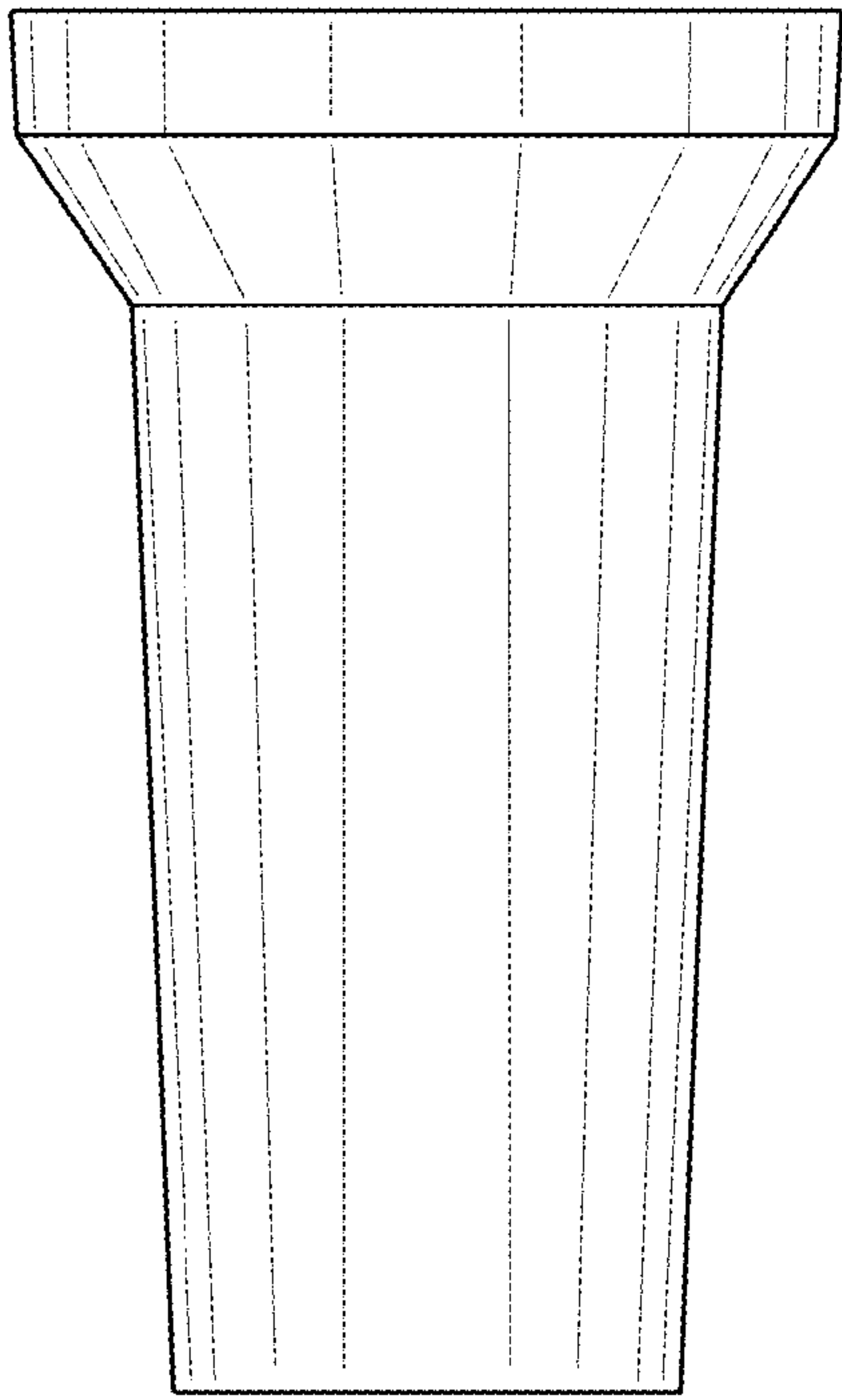


FIG. 4

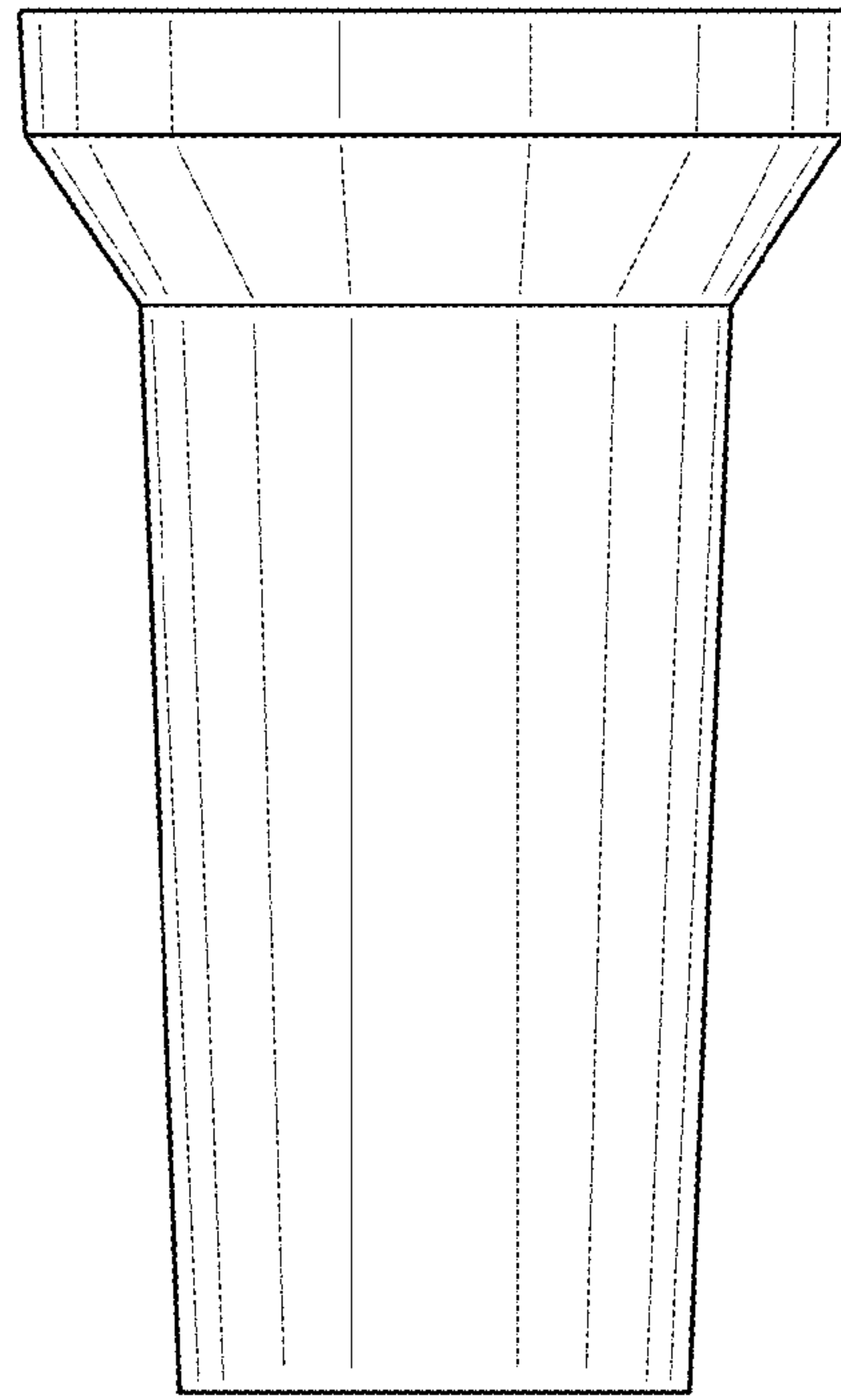


FIG. 5

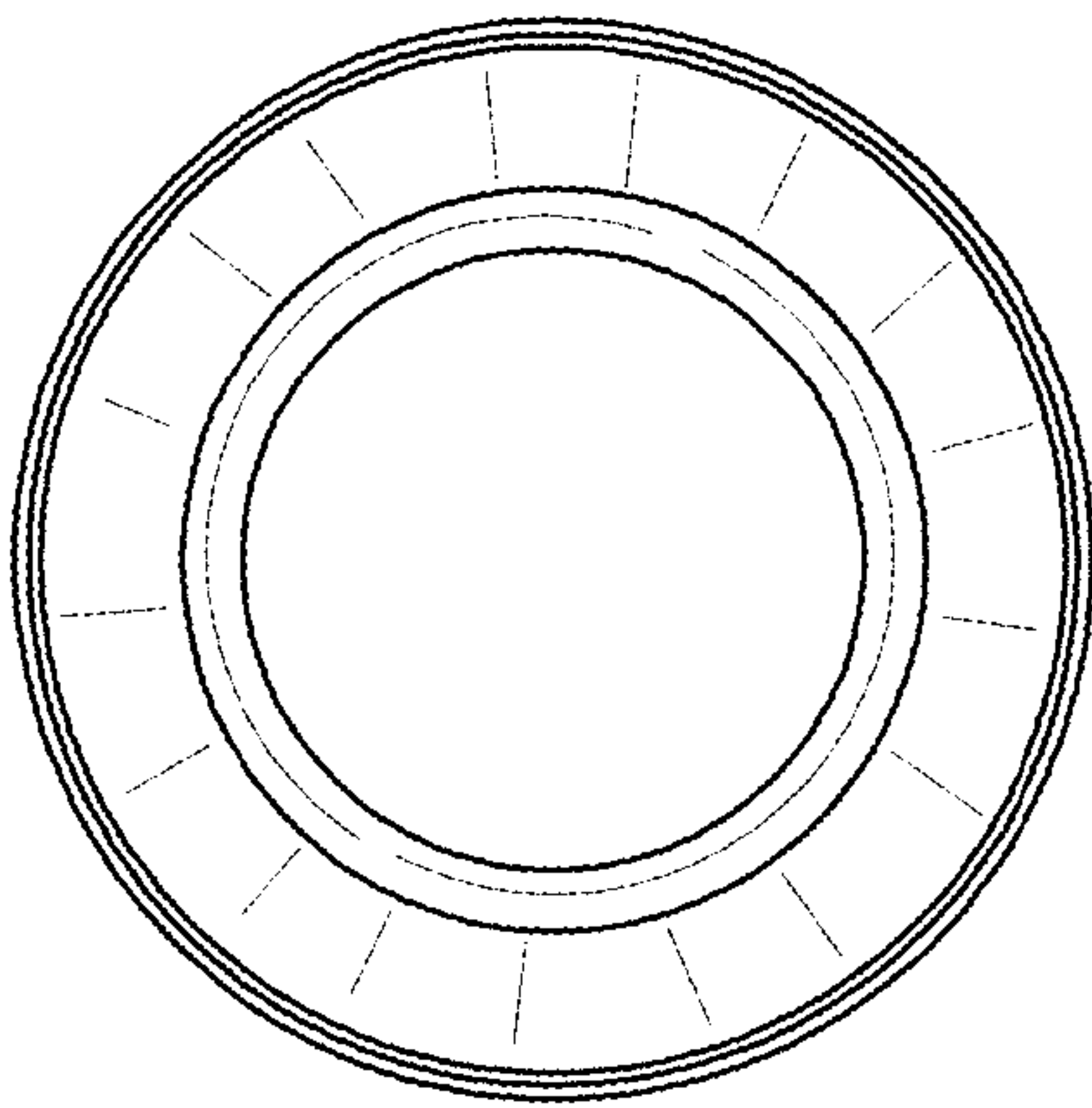


FIG. 6

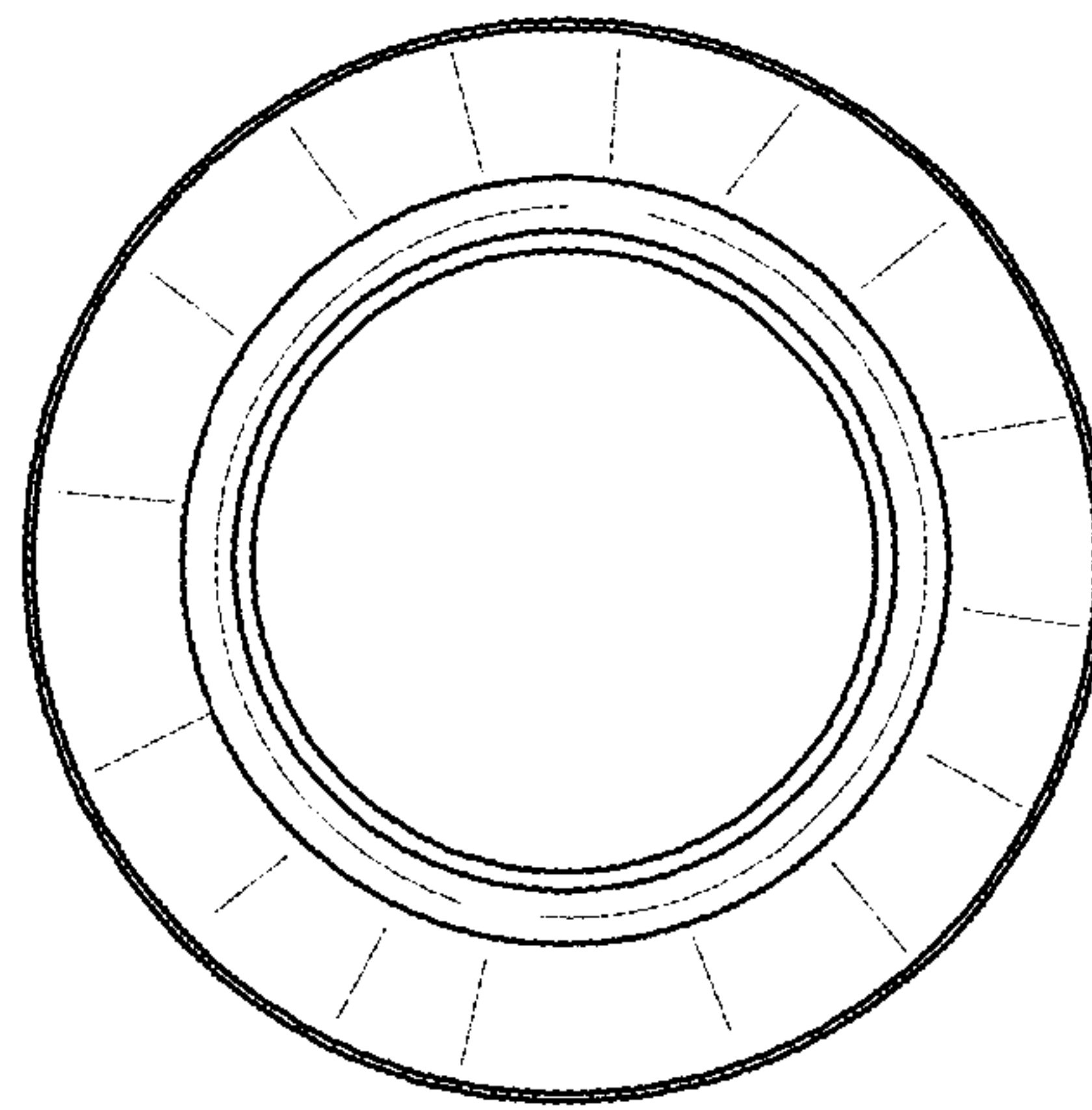


FIG. 7