



US00D772024S

(12) **United States Design Patent**
Carabello

(10) **Patent No.:** **US D772,024 S**

(45) **Date of Patent:** **** Nov. 22, 2016**

(54) **GARLIC AROMA REMOVAL DEVICE**

6,149,333 A * 11/2000 Kershaw B43K 29/00
401/195

(71) Applicant: **Linda Marie Carabello**, Simi Valley,
CA (US)

D482,728 S * 11/2003 Koch D19/173
D605,905 S * 12/2009 Raia D7/669

(72) Inventor: **Linda Marie Carabello**, Simi Valley,
CA (US)

* cited by examiner

(**) Term: **14 Years**

Primary Examiner — Terry Wallace

(74) *Attorney, Agent, or Firm* — Lewis Anten, Esq.

(21) Appl. No.: **29/500,641**

(57) **CLAIM**

The ornamental design for a garlic aroma removal device, as shown.

(22) Filed: **Aug. 27, 2014**

(51) **LOC (10) Cl.** **07-04**

(52) **U.S. Cl.**
USPC **D7/669**

DESCRIPTION

(58) **Field of Classification Search**
USPC D7/669, 680–696; D8/14, 16, 47, 75,
D8/88, 105; D28/65; D3/18, 26
See application file for complete search history.

FIG. 1 is a top plan view of a garlic aroma removal device showing my new design.
FIG. 2 is a bottom plan view thereof.
FIG. 3 is a front view thereof.
FIG. 4 is a rear view thereof.
FIG. 5 is a left side view thereof.
FIG. 6 is a right side view thereof; and,
FIG. 7 is a top perspective view thereof.

(56) **References Cited**

U.S. PATENT DOCUMENTS

D154,610 S * 7/1949 Kuhn D19/170
D337,611 S * 7/1993 Peersmann D19/177

1 Claim, 1 Drawing Sheet

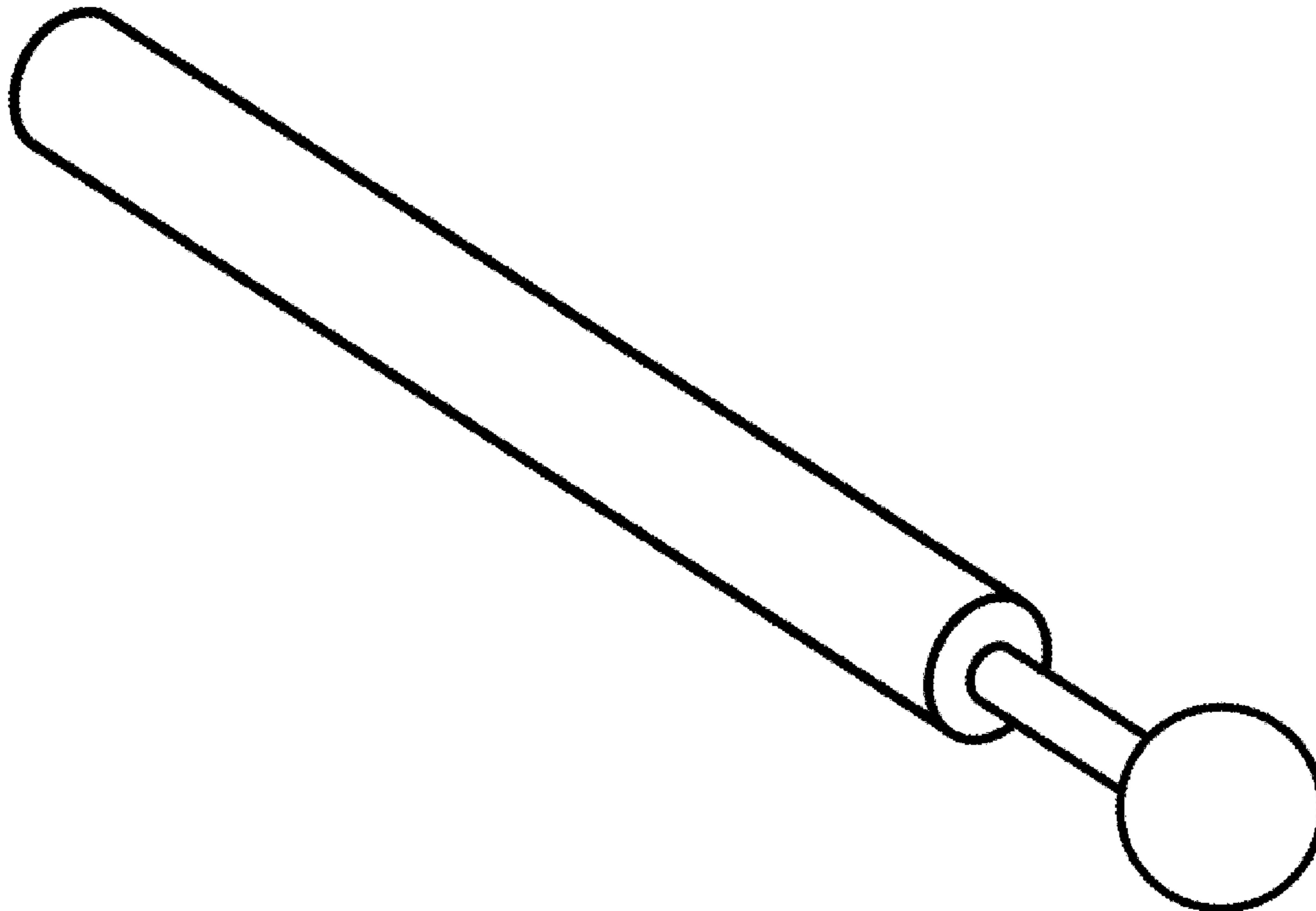


Figure 1

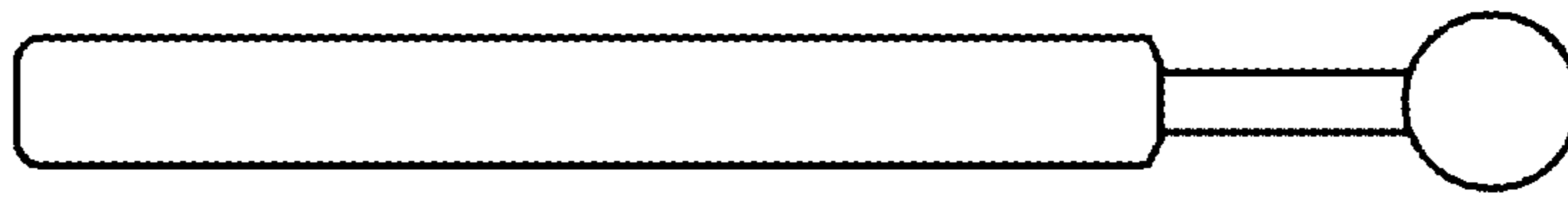


Figure 5

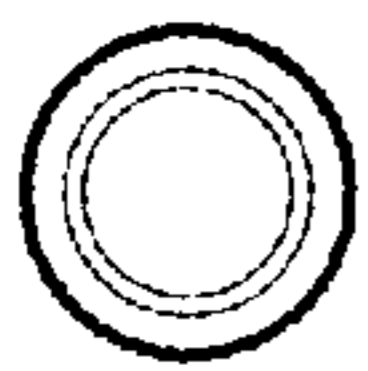


Figure 2



Figure 6

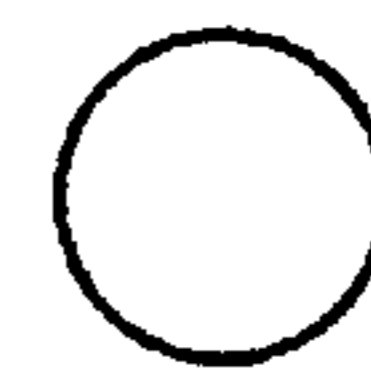


Figure 3



Figure 4



Figure 7

