



US00D772023S

(12) **United States Design Patent** (10) **Patent No.:** **US D772,023 S**
Allende Fritsch et al. (45) **Date of Patent:** **** Nov. 22, 2016**

(54) **JUICER**

(56) **References Cited**

(71) Applicant: **KONINKLIJKE PHILIPS N.V.**,
Eindhoven (NL)

(72) Inventors: **Paula Andrea Allende Fritsch**,
Landsmeer (NL); **Andreas**
Kowalewski, Amsterdam (NL); **Ming**
Shuo Zhang, Amstelveen (NL);
Christian Mikula, St. Jakob I.R. (AT);
Juergen Holzbauer, Maria Rain (AT);
Joachim Schettlinger, Trebesing (AT)

U.S. PATENT DOCUMENTS

5,381,730	A *	1/1995	Kim	A23N 1/00 100/117
5,396,836	A *	3/1995	Kim	A47J 19/06 241/101.2
5,452,650	A *	9/1995	Lee	A47J 19/06 241/101.2
D526,539	S *	8/2006	Yip	D7/665
D555,434	S *	11/2007	Cohen	D7/665
D601,391	S *	10/2009	Chiang	D7/665
8,474,375	B2 *	7/2013	Jays	A47J 19/027 100/104
2006/0086261	A1 *	4/2006	Cohen	A47J 19/027 99/511
2009/0064875	A1 *	3/2009	Trovinger	A23N 1/02 99/492
2010/0300307	A1 *	12/2010	Huang	A47J 19/027 99/511
2012/0227592	A1 *	9/2012	Lim	A47J 19/025 99/486

(73) Assignee: **KONINKLIJKE PHILIPS N.V.**,
Eindhoven (NL)

(**) Term: **15 Years**

(21) Appl. No.: **29/534,496**

(22) Filed: **Jul. 29, 2015**

(30) **Foreign Application Priority Data**

Jan. 29, 2015 (EM) 002622449-0001

(51) **LOC (10) Cl.** **31-00**

(52) **U.S. Cl.**
USPC **D7/665**

(58) **Field of Classification Search**
USPC D7/665-668, 372, 376, 381, 382
CPC A47J 19/02; A47J 19/027; A47J 19/00;
A47J 19/06; A47J 19/022; A47J 43/046;
A47J 43/0794; A23N 1/00; A23N 1/02;
A23N 1/003

See application file for complete search history.

* cited by examiner

Primary Examiner — Terry Wallace

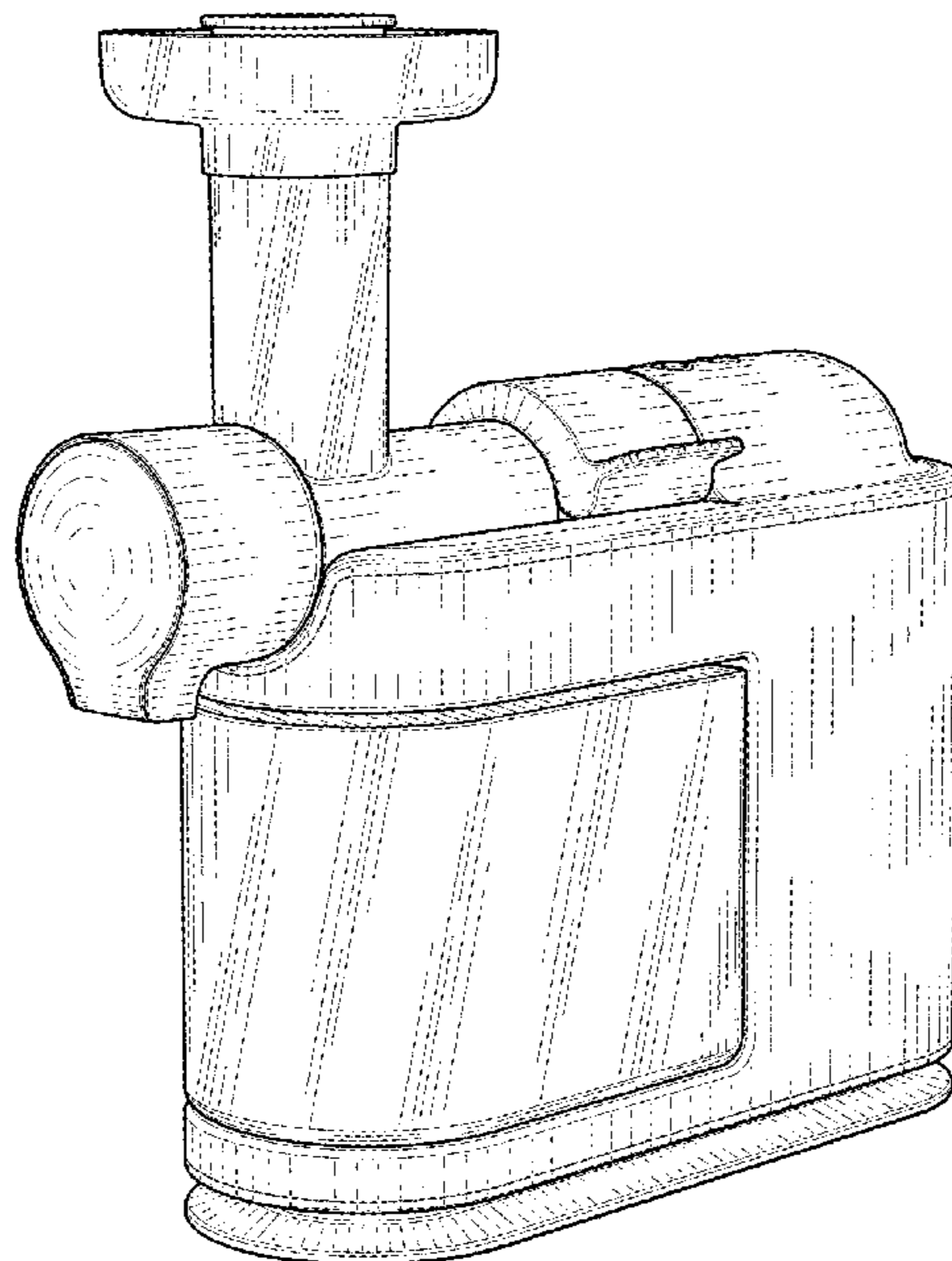
(57) **CLAIM**

The ornamental design for a juicer, as shown.

DESCRIPTION

FIG. 1 is a perspective view showing my design;
 FIG. 2 is a front elevational view thereof;
 FIG. 3 is a rear elevational view thereof;
 FIG. 4 is a right side view thereof;
 FIG. 5 is a left side elevational view thereof;
 FIG. 6 is a top plan view thereof; and,
 FIG. 7 is a bottom plan view thereof.

1 Claim, 5 Drawing Sheets



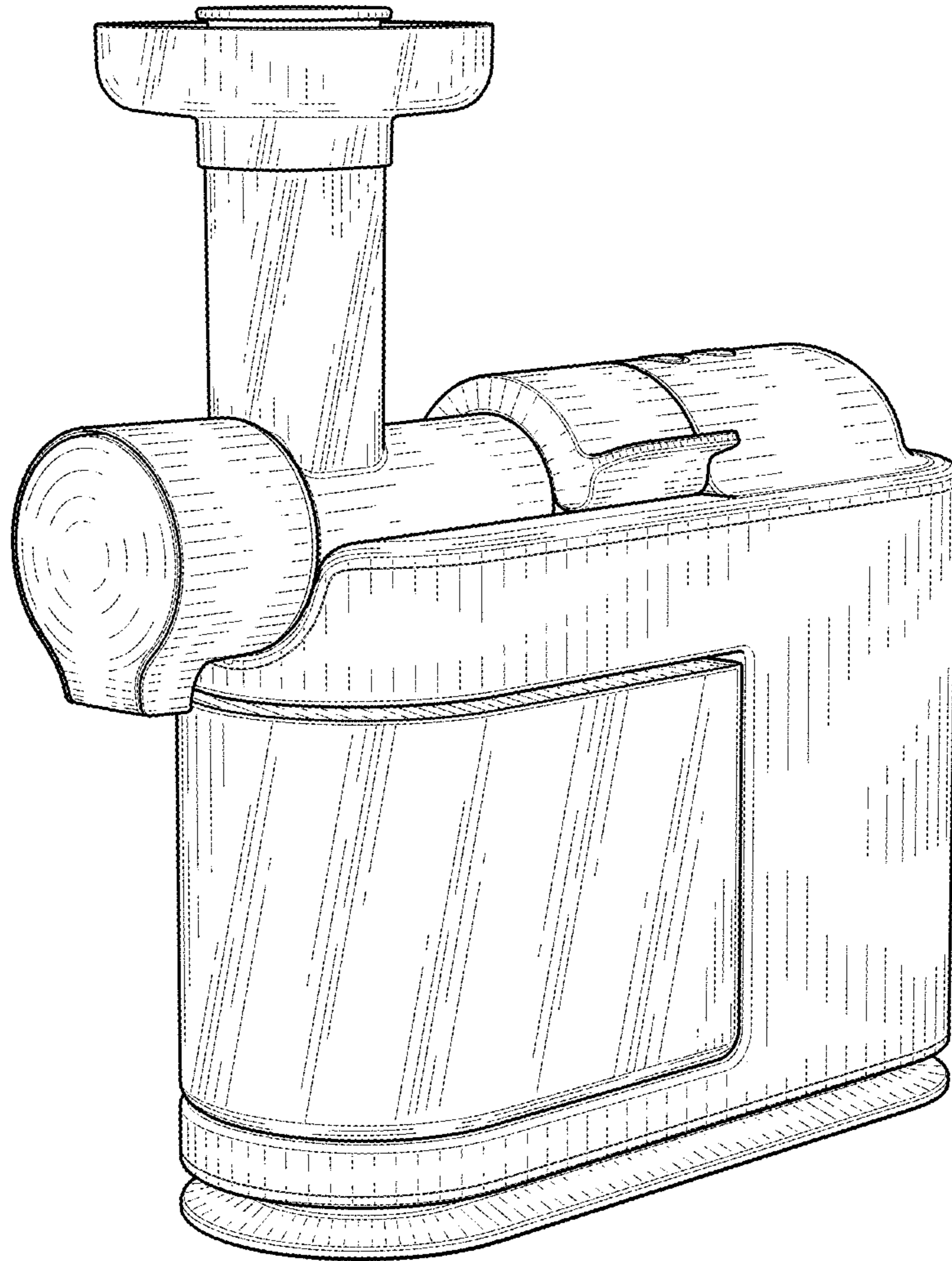


FIG. 1

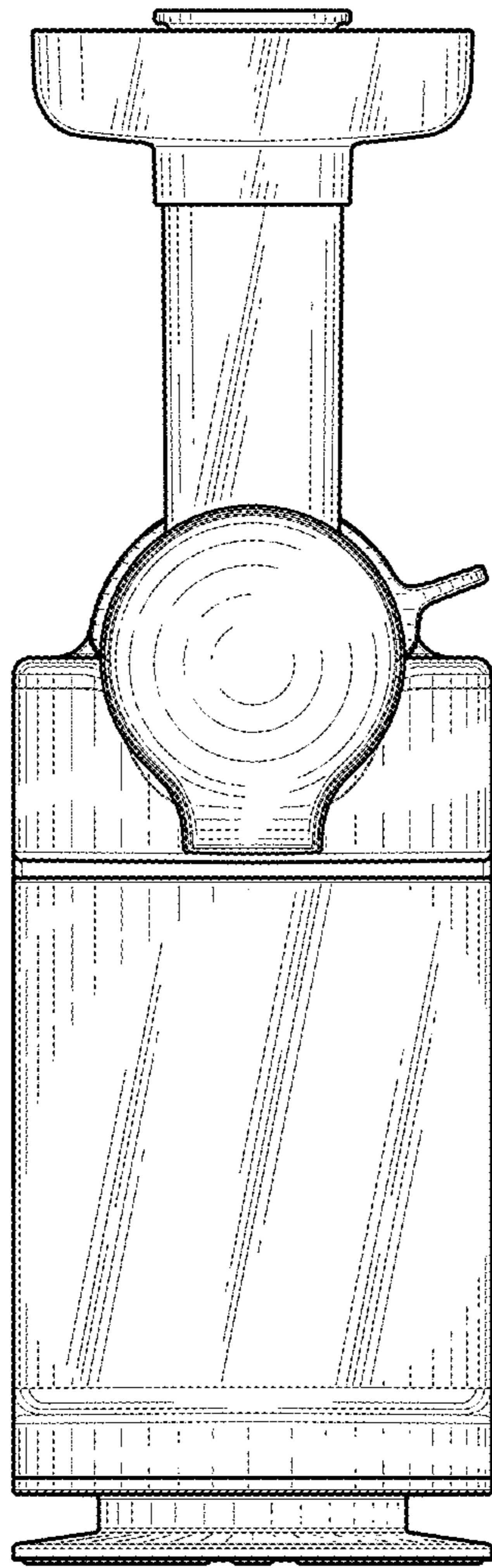


FIG. 2

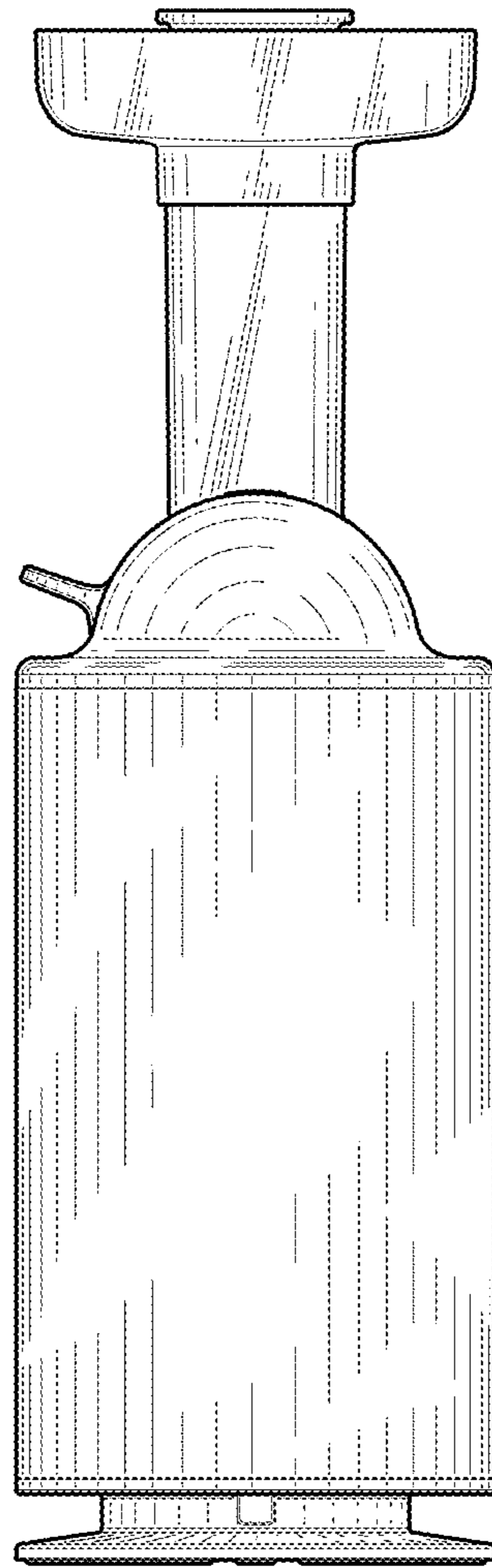


FIG. 3

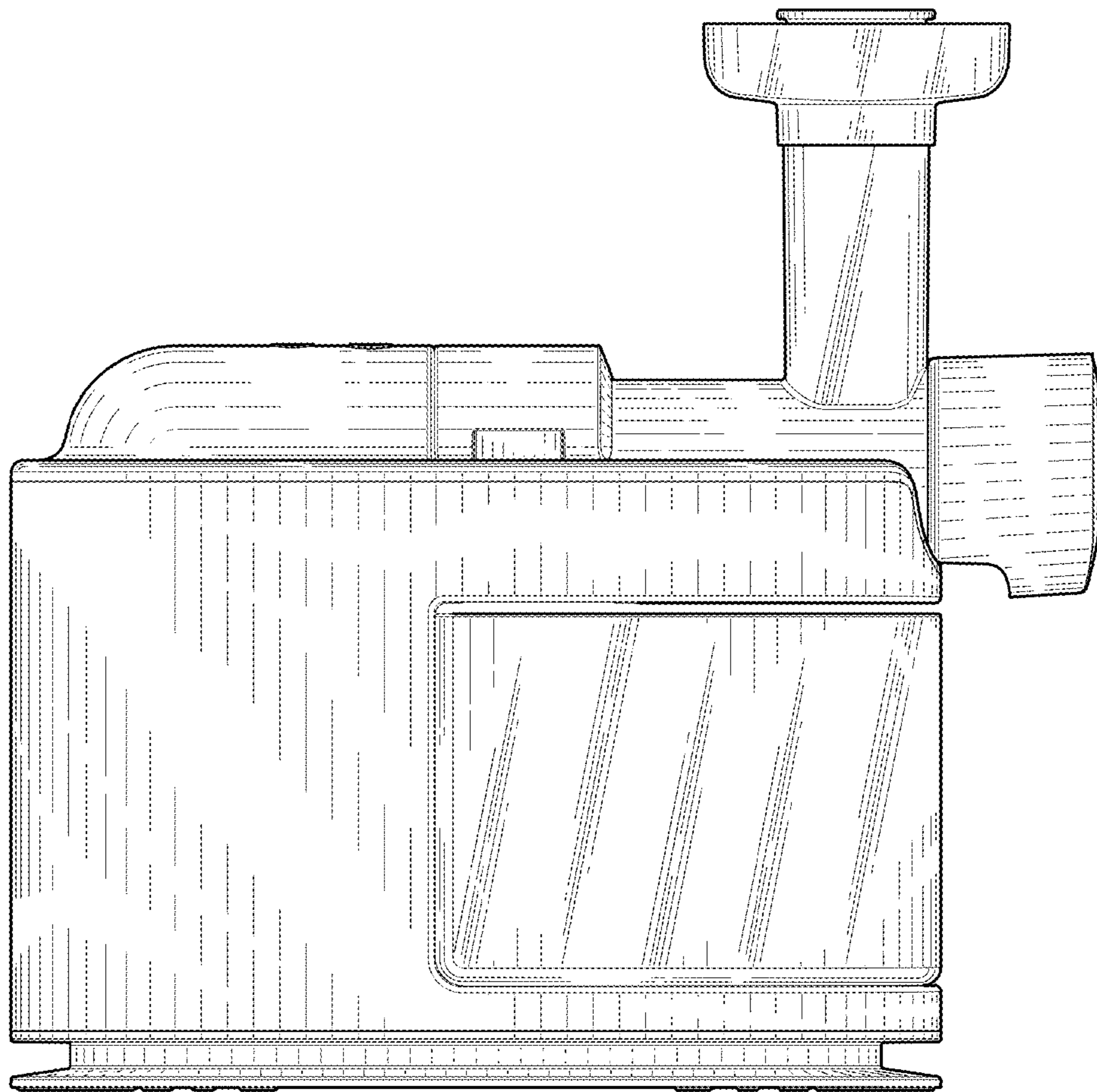


FIG. 4

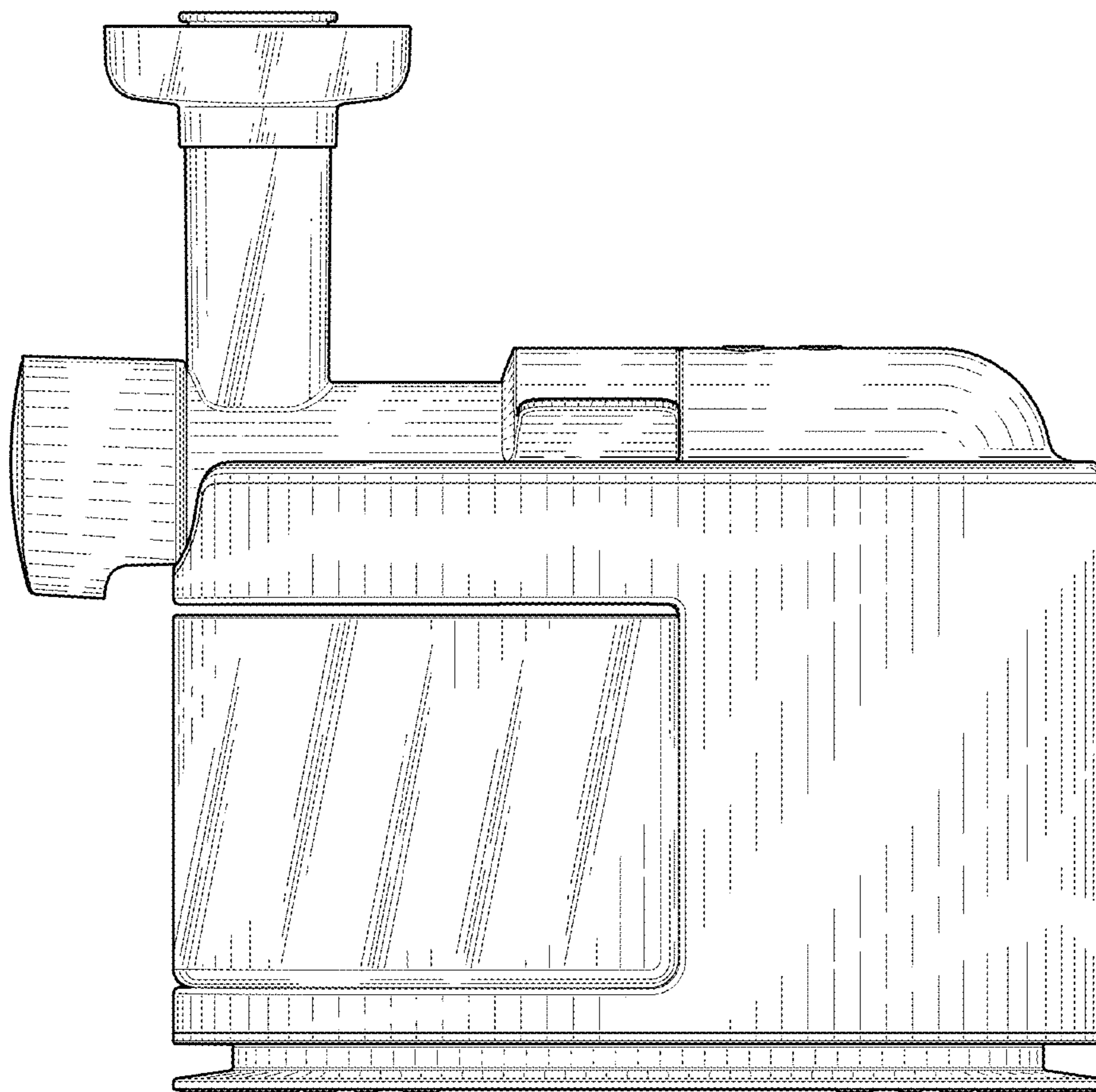


FIG. 5

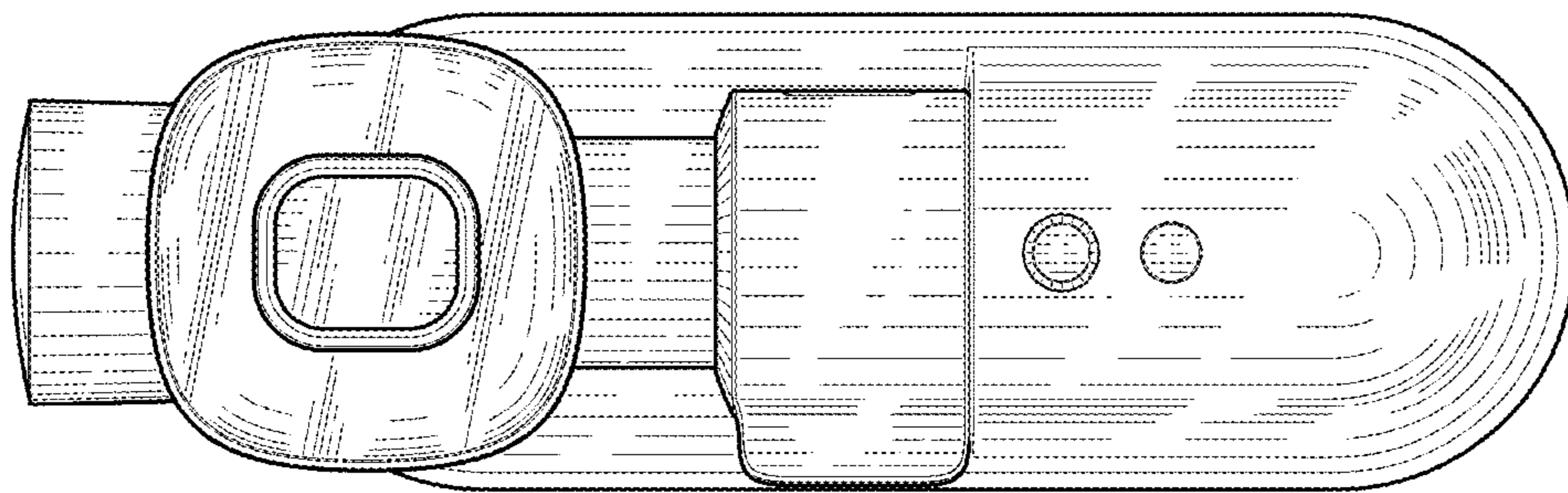


FIG. 6

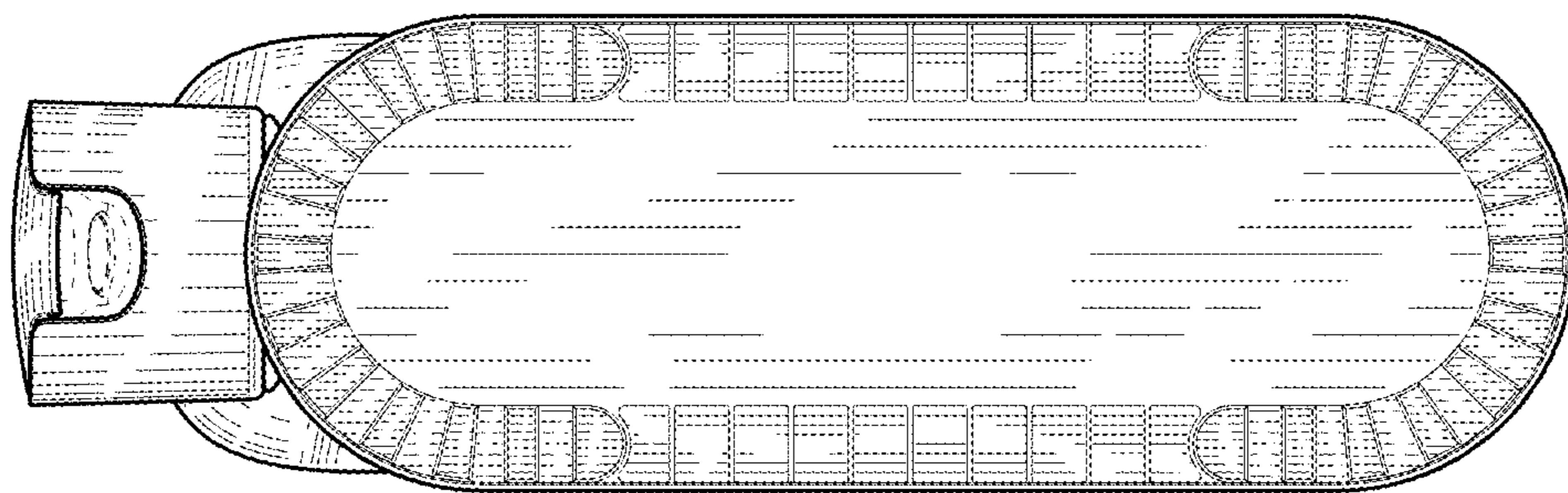


FIG. 7