



US00D772022S

(12) **United States Design Patent**  
**Cornu et al.**

(10) **Patent No.:** **US D772,022 S**

(45) **Date of Patent:** **\*\* Nov. 22, 2016**

(54) **FOOD SHAKER**

(74) *Attorney, Agent, or Firm* — Taylor J. Ross

(71) Applicant: **Dart Industries Inc.**, Orlando, FL (US)

(57) **CLAIM**

The ornamental design for a food shaker, as shown and described.

(72) Inventors: **Judicaël Cornu**, Brussels (BE);  
**Barbara R. M. Huet**, Ixelles (BE);  
**Dimitri M. C. J. Backaert**, Moorsel (BE);  
**Kris Schoukens**, Zwevegem (BE);  
**Antoon Keymeulen**, Aalst (BE);  
**Robijn Dufloo**, Bierbeek (BE); **Olivier B. Perrin**, Saint Pierre des Corps (FR)

**DESCRIPTION**

This application is related to application Ser. No. 14/303,162, filed concurrently herewith, which is incorporated herein by reference.

(73) Assignee: **Dart Industries Inc.**, Orlando, FL (US)

FIG. 1 is a top, rear and left side perspective view of a food shaker showing our new design;

(\*\*) Term: **14 Years**

FIG. 2 is a top plan view thereof;

(21) Appl. No.: **29/493,694**

FIG. 3 is a bottom plan view thereof;

(22) Filed: **Jun. 12, 2014**

FIG. 4 is a left side elevational view thereof; the right side elevational view being a mirror image thereof;

(51) **LOC (10) Cl.** ..... **07-01**

FIG. 5 is a rear elevational view thereof; and,

(52) **U.S. Cl.**

FIG. 6 is a front elevational view thereof.

USPC ..... **D7/629; D7/510; D7/300.1; D7/511**

FIG. 7 is a top, rear and left side perspective view of the second embodiment of a food shaker shown in FIG. 1;

(58) **Field of Classification Search**

USPC ..... **D7/507, 510, 511, 529, 533, 536, 300.1,**

FIG. 8 is a top, front and right side perspective view thereof;

**D7/589, 591, 608, 396.2, 392.1, 900,**

FIG. 9 is a top plan view thereof;

**D7/396.6, 629; D9/434, 435, 442, 447,**

FIG. 10 is a bottom plan view thereof;

**D9/449, 526, 517, 440, 534, 432;**

FIG. 11 is a left side elevation view, the right side being a mirror image thereof;

**220/592.16, 592.17, 495.03, 509,**

FIG. 12 is a rear elevation view thereof;

**220/62.12, 703, 705; 215/388, 387**

FIG. 13 is a front elevation view thereof;

CPC ..... **A47J 43/27; A47J 31/002; A47J 31/005;**

FIG. 14 is a cross-sectional view taken along line 14-14 of FIG. 9;

**A47J 43/0722; B01F 13/0022; B01F**

FIG. 15 is a top, rear and left side perspective view of the second embodiment of a food shaker with the cap open;

**15/00512; B01F 15/00564; B01F 11/0005;**

FIG. 16 is a top, front and right side perspective view thereof;

**B01F 2215/0022; A23G 9/52**

See application file for complete search history.

FIG. 17 is a top plan view thereof;

(56) **References Cited**

**U.S. PATENT DOCUMENTS**

D170,840 S 11/1953 Tupper  
2,752,971 A 7/1956 Tupper

FIG. 18 is a bottom plan view thereof;

(Continued)

FIG. 19 is a rear elevation view thereof;

*Primary Examiner* — Marianne Pandozzi

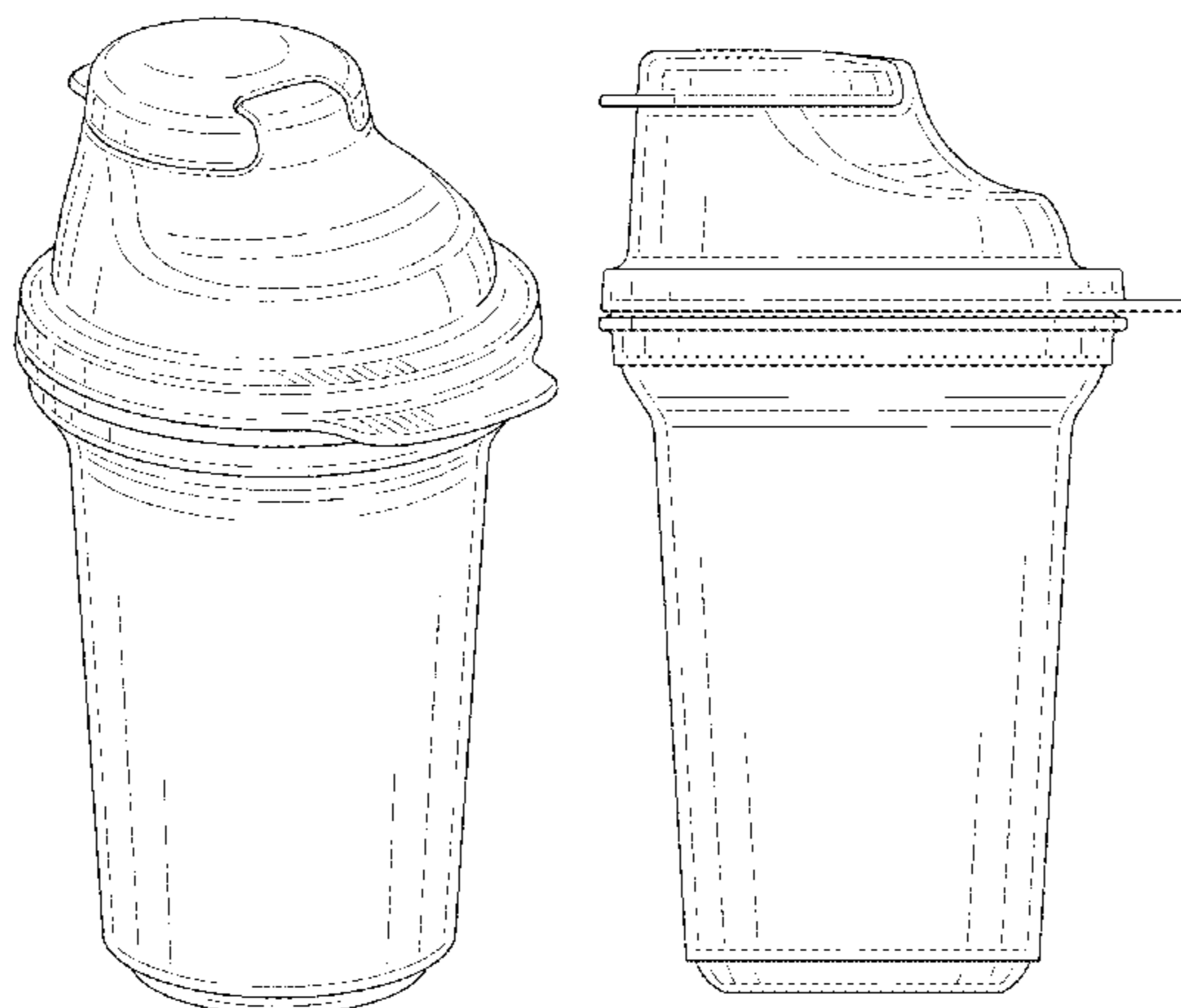
*Assistant Examiner* — Jae Liang

FIG. 20 is a front elevation view thereof;

FIG. 21 is a left side elevation view, the right side being a mirror image thereof; and,

FIG. 22 is a cross-sectional view taken along line 22-22 of FIG. 17.

**1 Claim, 9 Drawing Sheets**



(56)

**References Cited**

U.S. PATENT DOCUMENTS

3,820,692 A 6/1974 Swett et al.  
D233,116 S 10/1974 Swett  
5,547,275 A 8/1996 Lillelund et al.  
D374,147 S 10/1996 Lillelund et al.  
D409,043 S \* 5/1999 Lillelund ..... D7/392  
D427,852 S \* 7/2000 Tal ..... D7/509  
D532,650 S 11/2006 de Groote

D552,929 S 10/2007 de Groote  
D553,435 S 10/2007 de Groote  
D623,473 S \* 9/2010 Chen ..... D7/510  
D632,918 S \* 2/2011 Gordon ..... D7/300.1  
D634,160 S \* 3/2011 Cetera ..... D7/510  
D667,269 S \* 9/2012 Pallotto ..... D7/510  
D699,996 S 2/2014 De Leo  
2015/0034748 A1 \* 2/2015 Ortiz ..... A47J 43/044  
241/169.1

\* cited by examiner

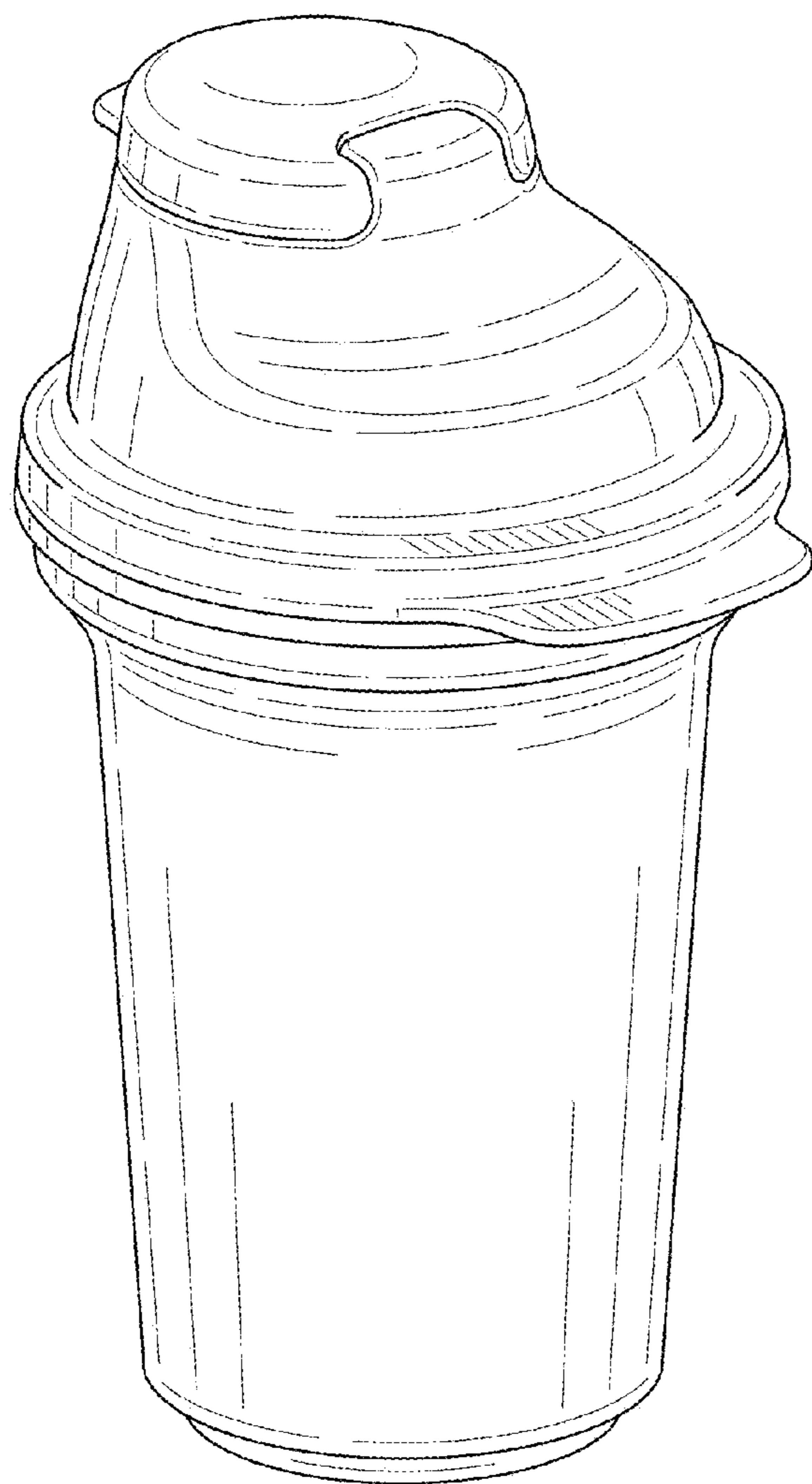


FIG. 1

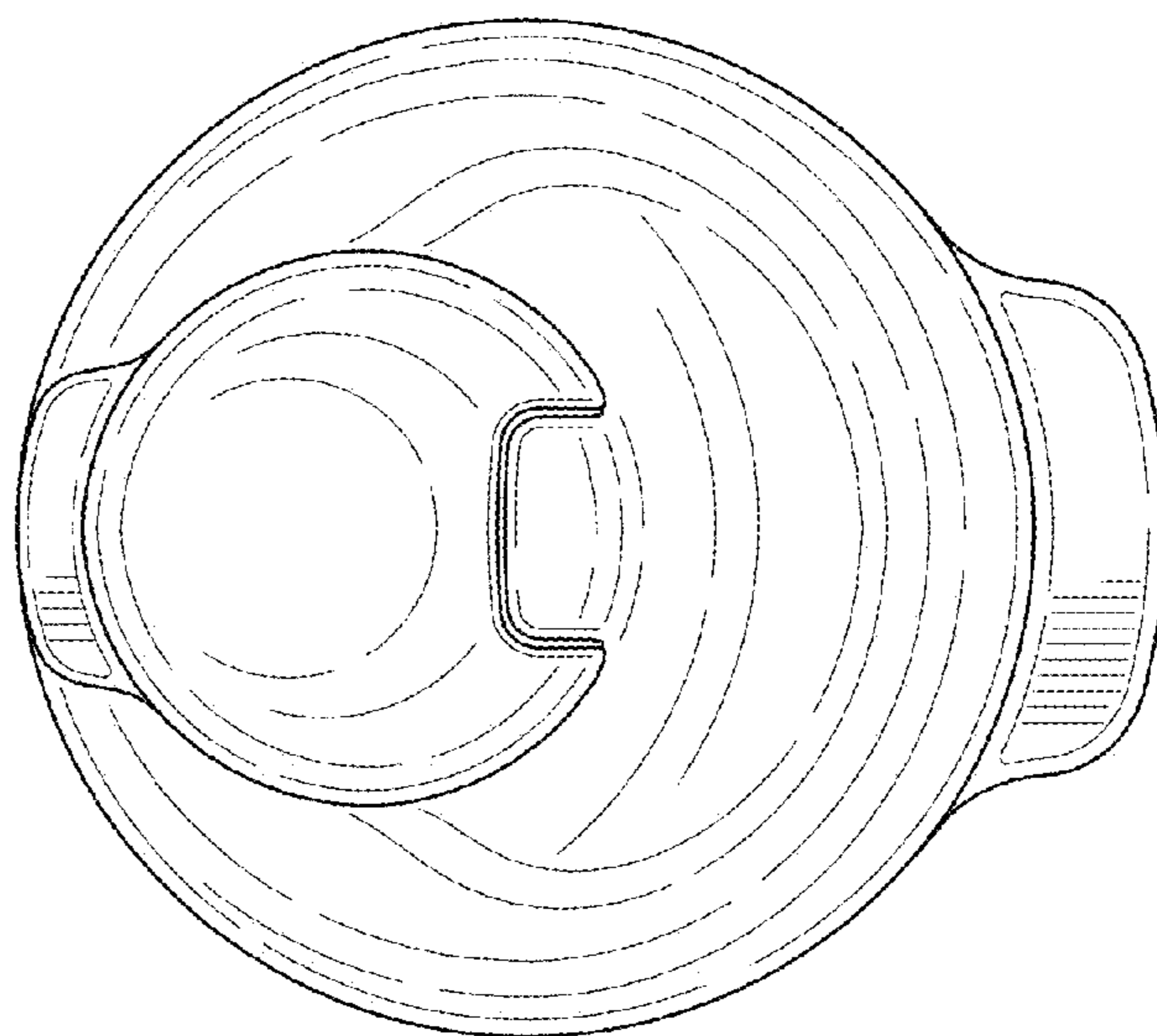


FIG. 2

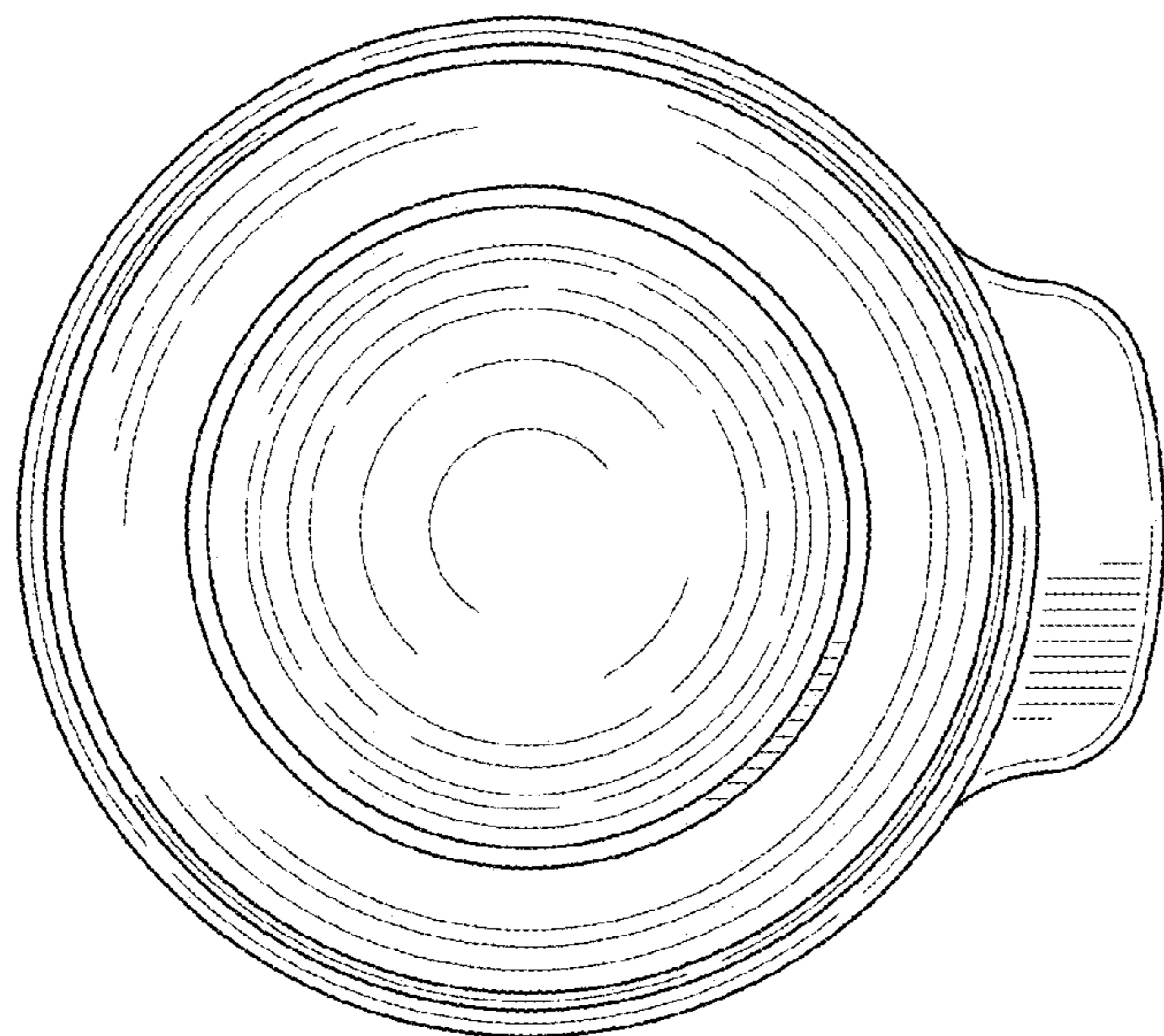


FIG. 3

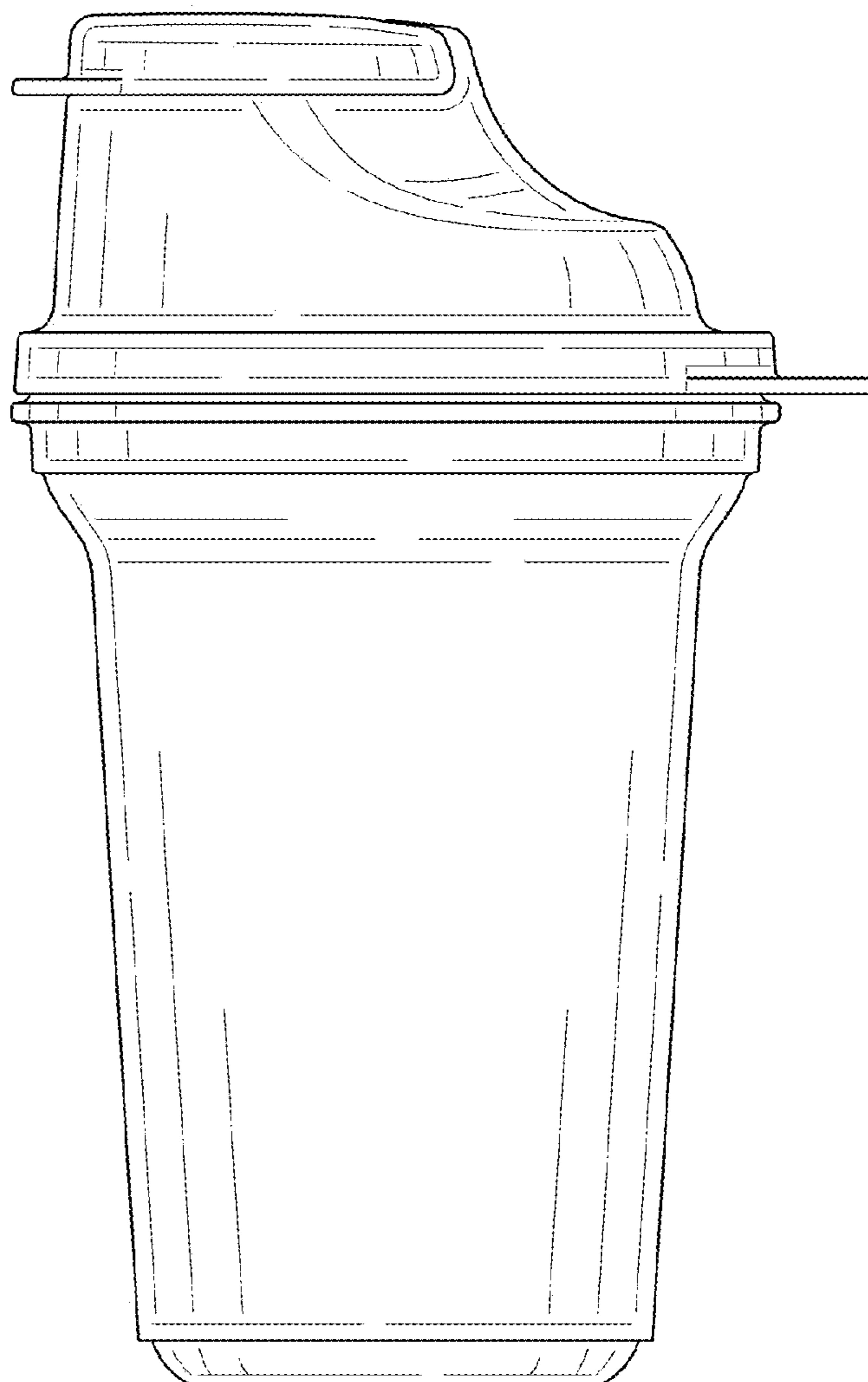


FIG. 4

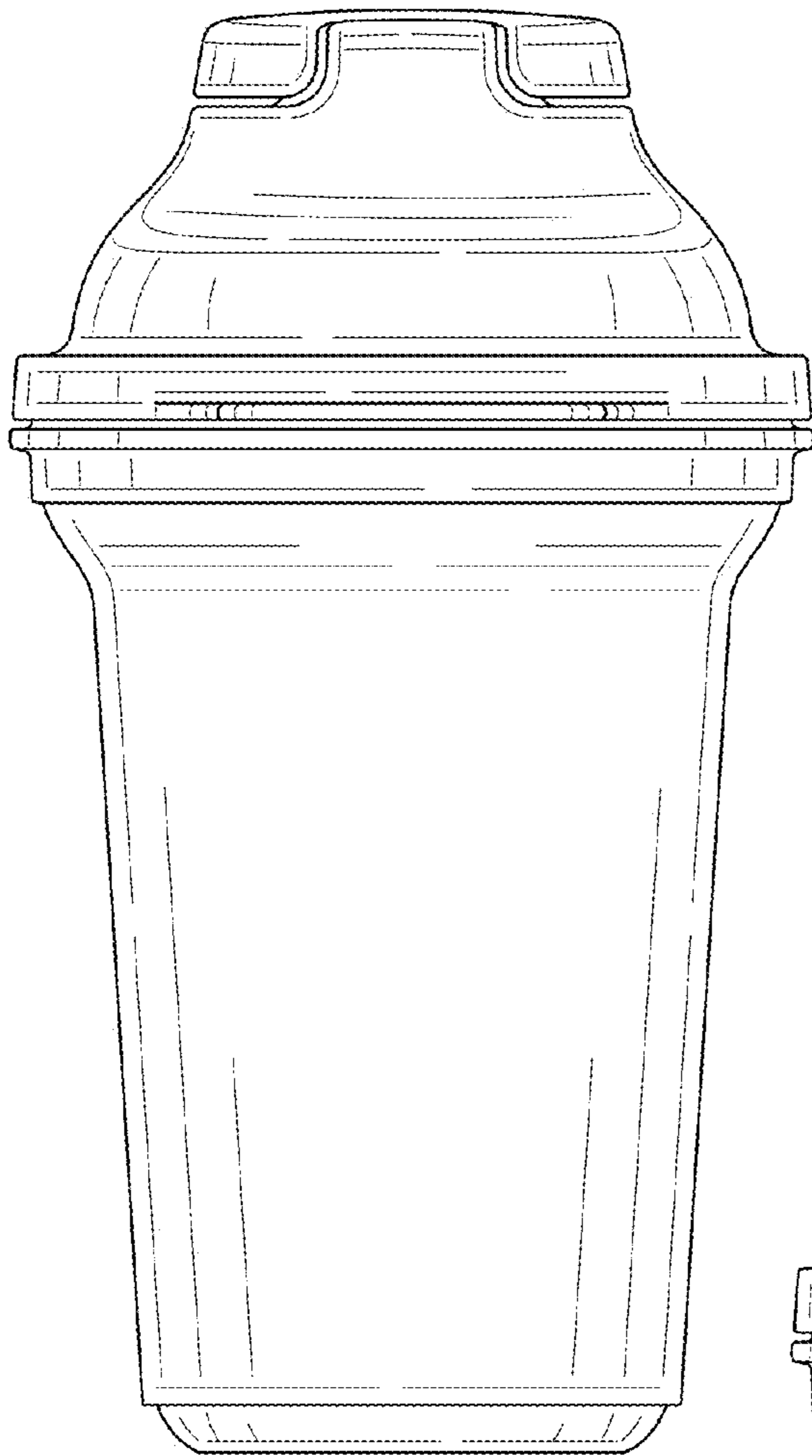


FIG. 5

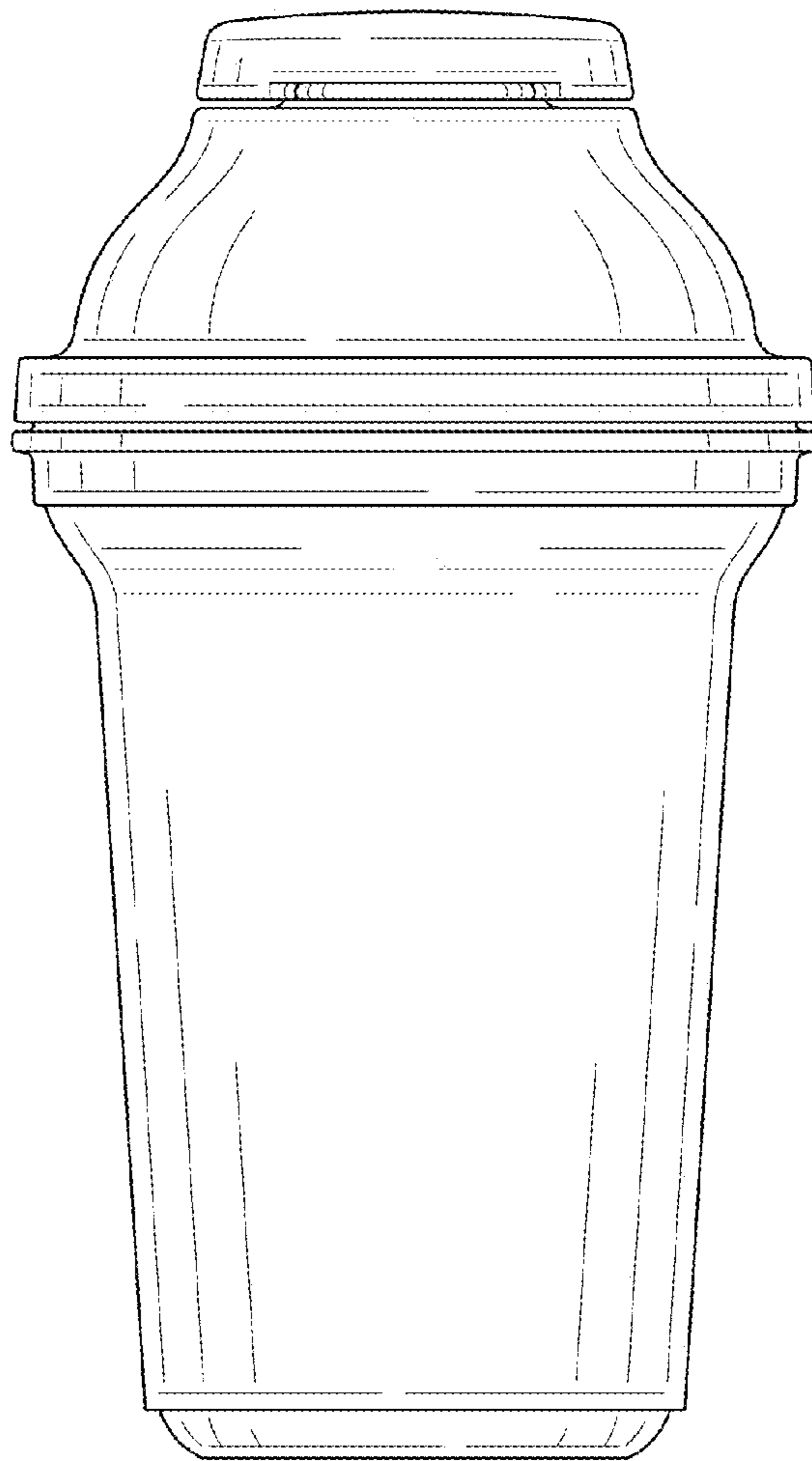


FIG. 6

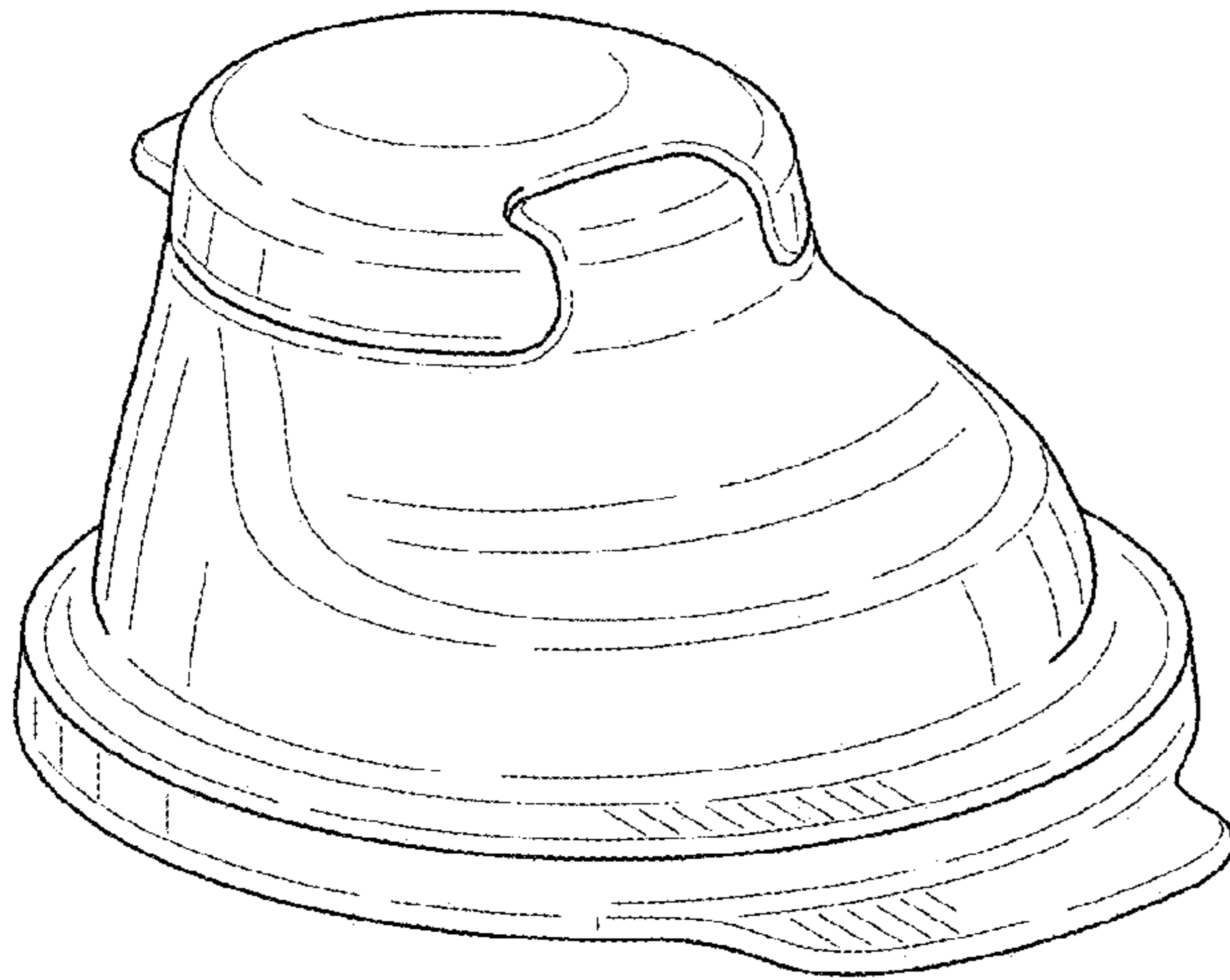


FIG. 7

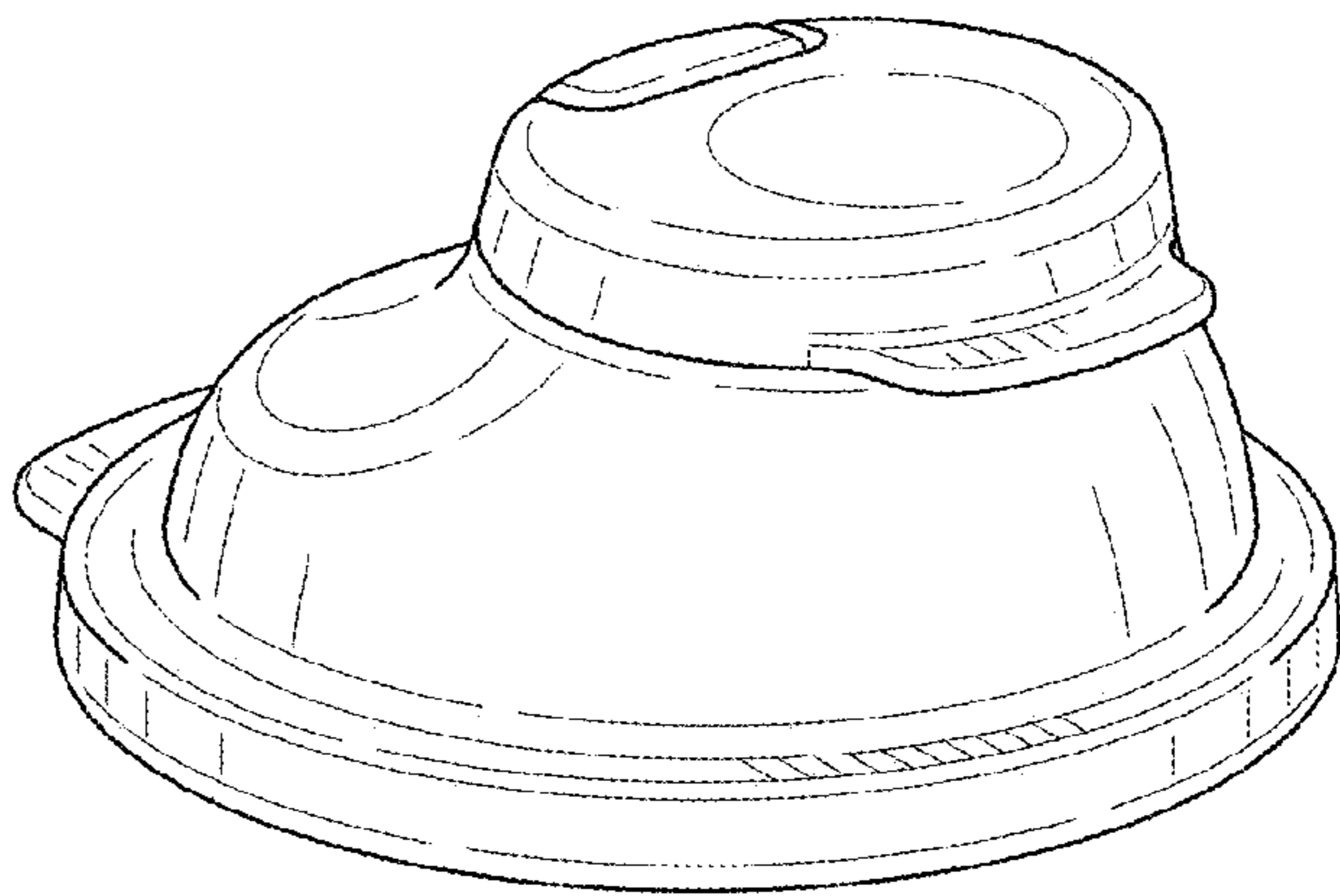


FIG. 8

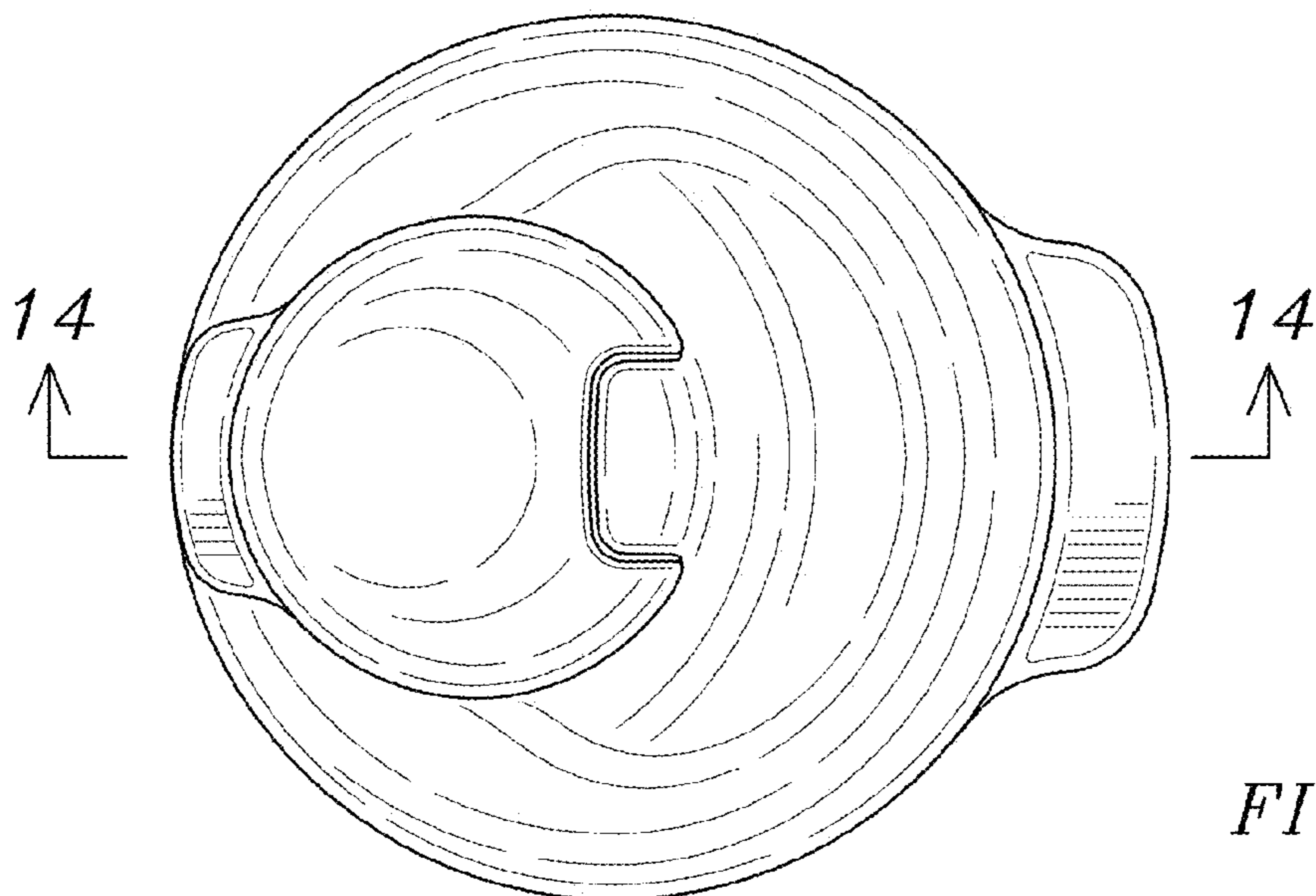


FIG. 9

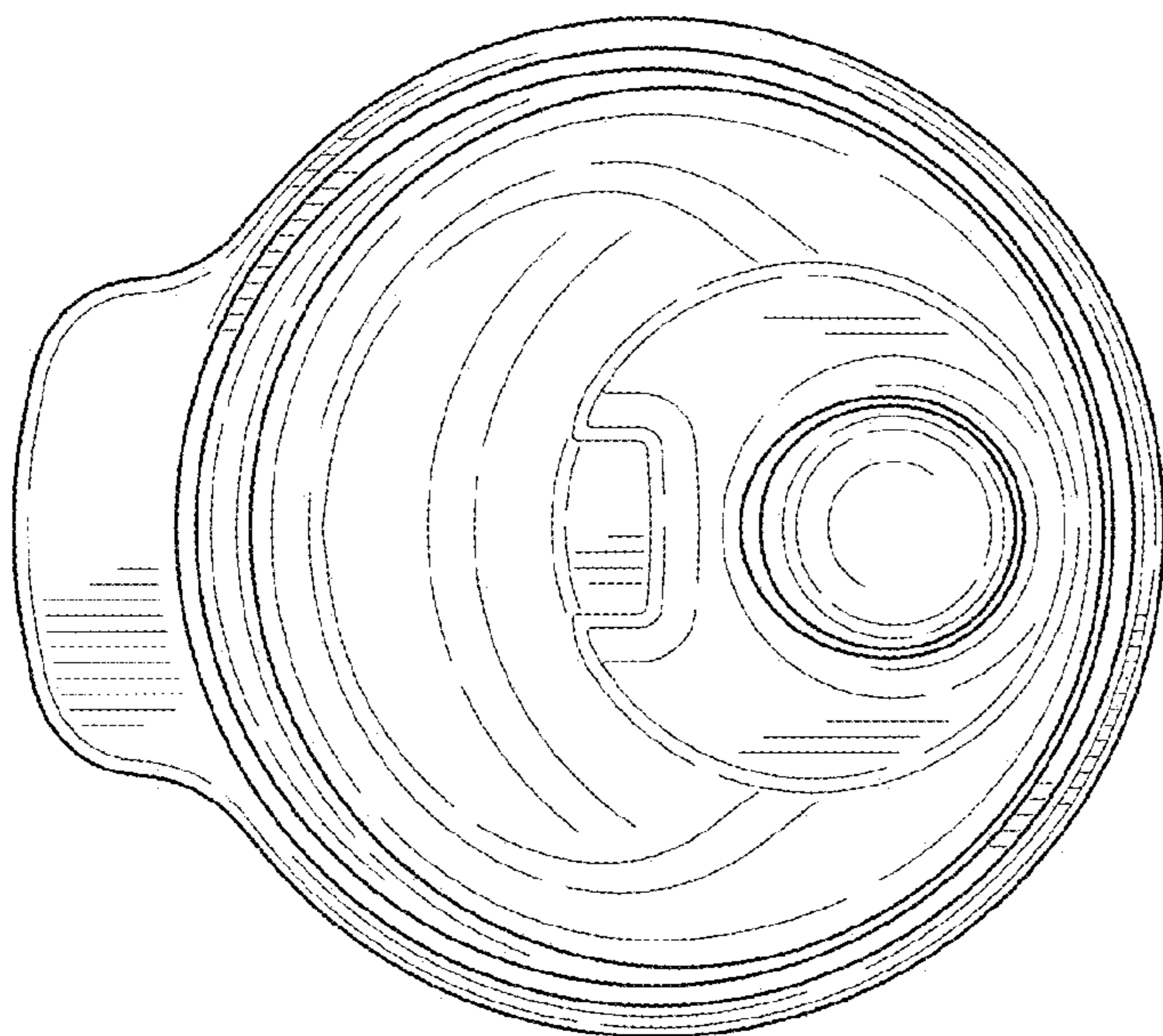


FIG. 10

FIG. 11

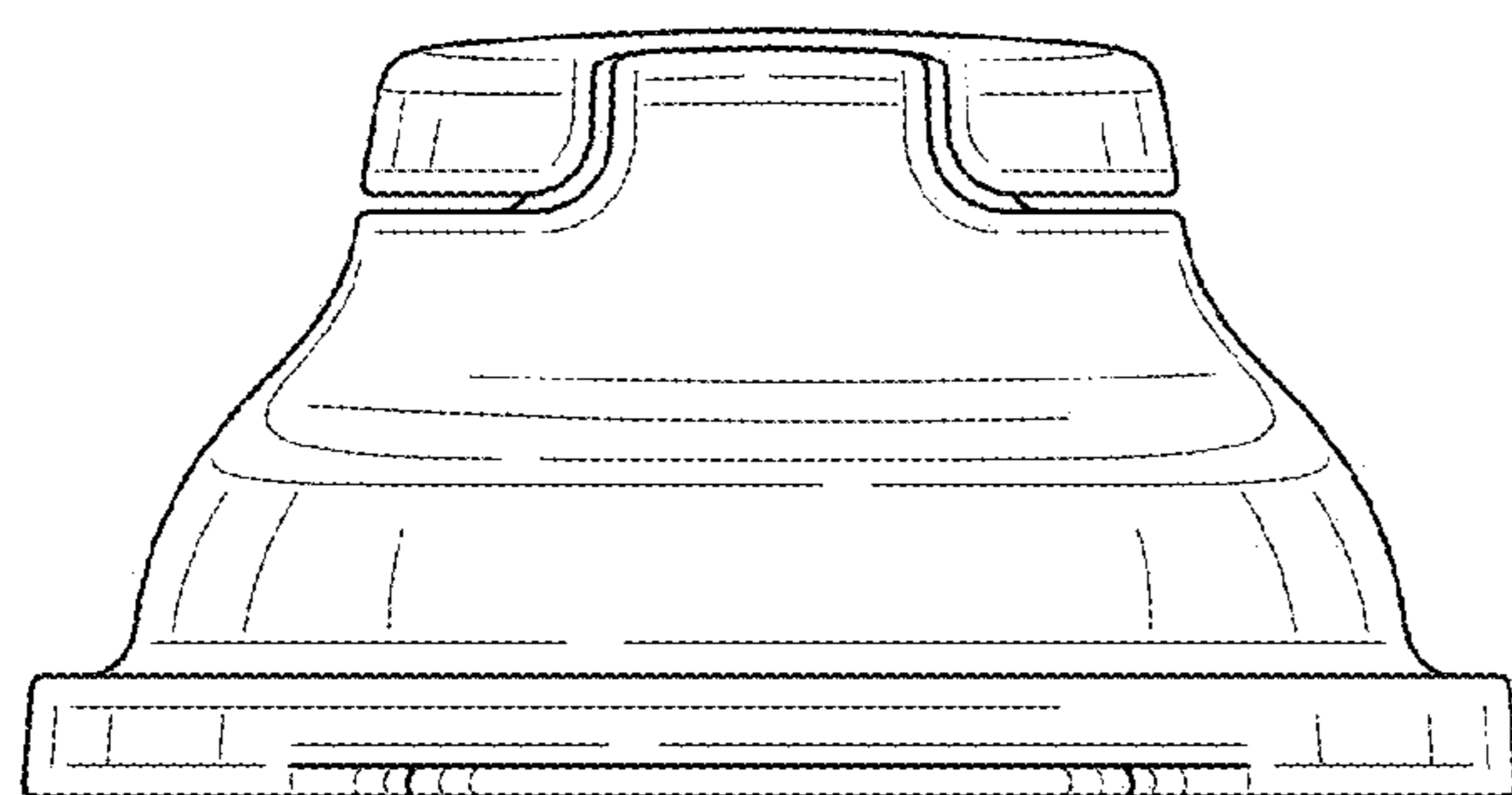
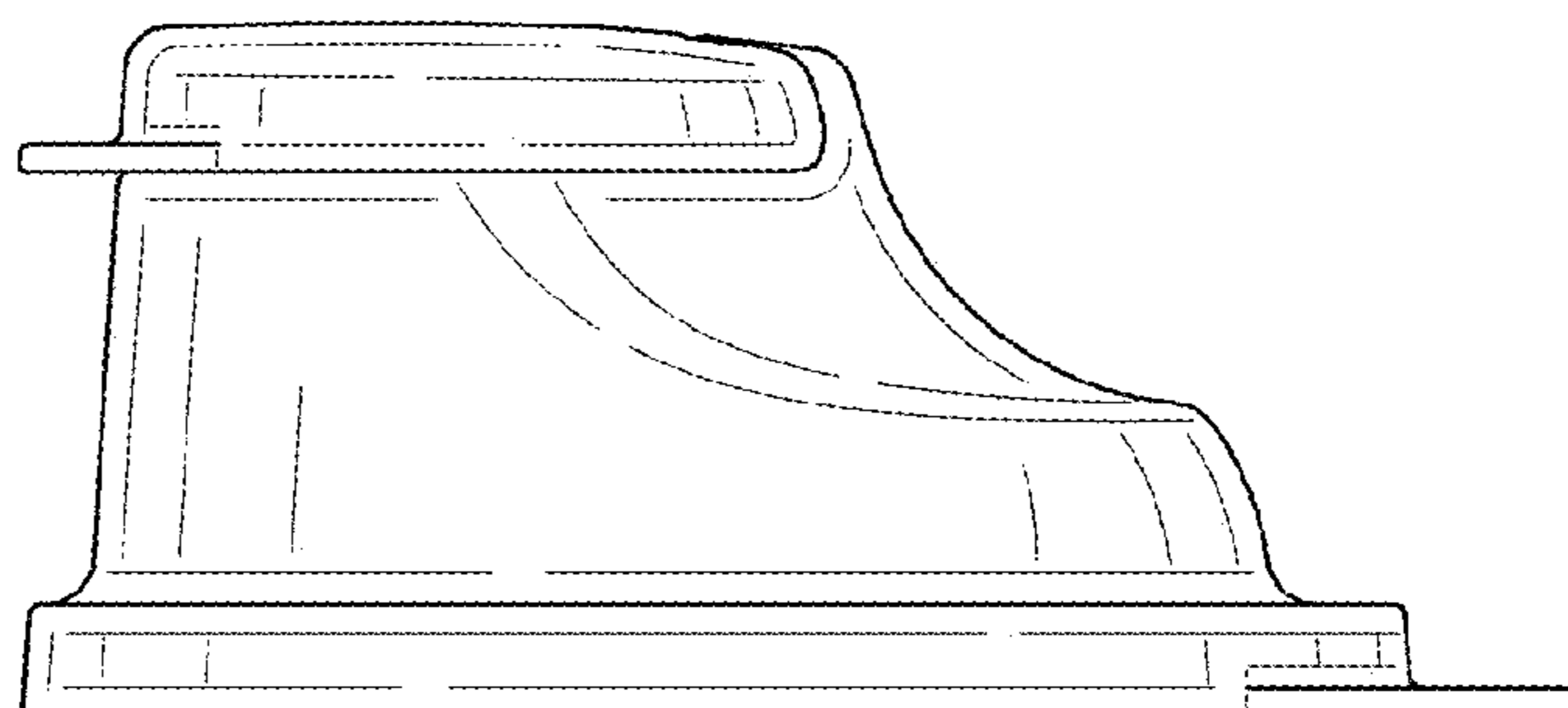


FIG. 12

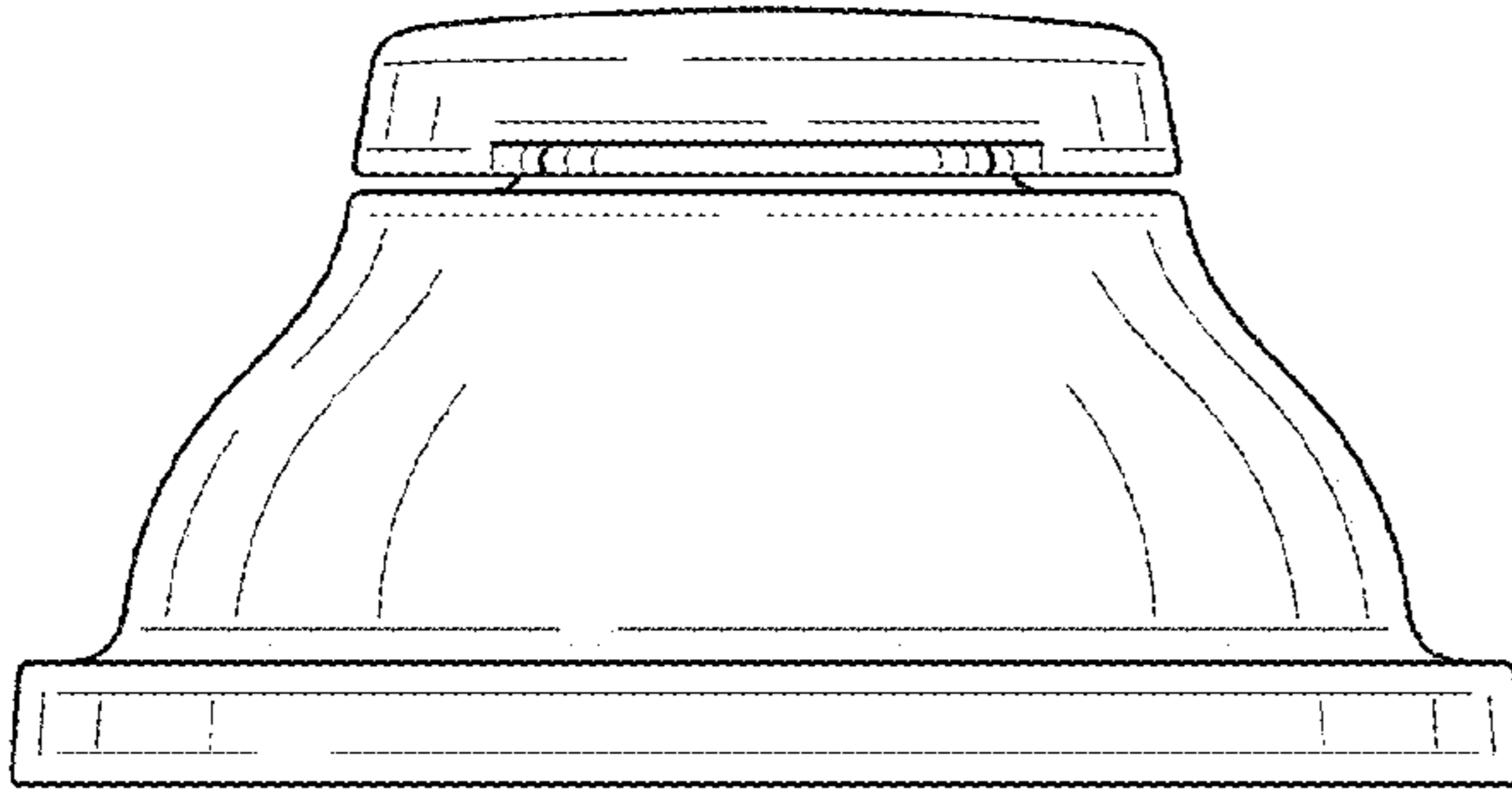


FIG. 13

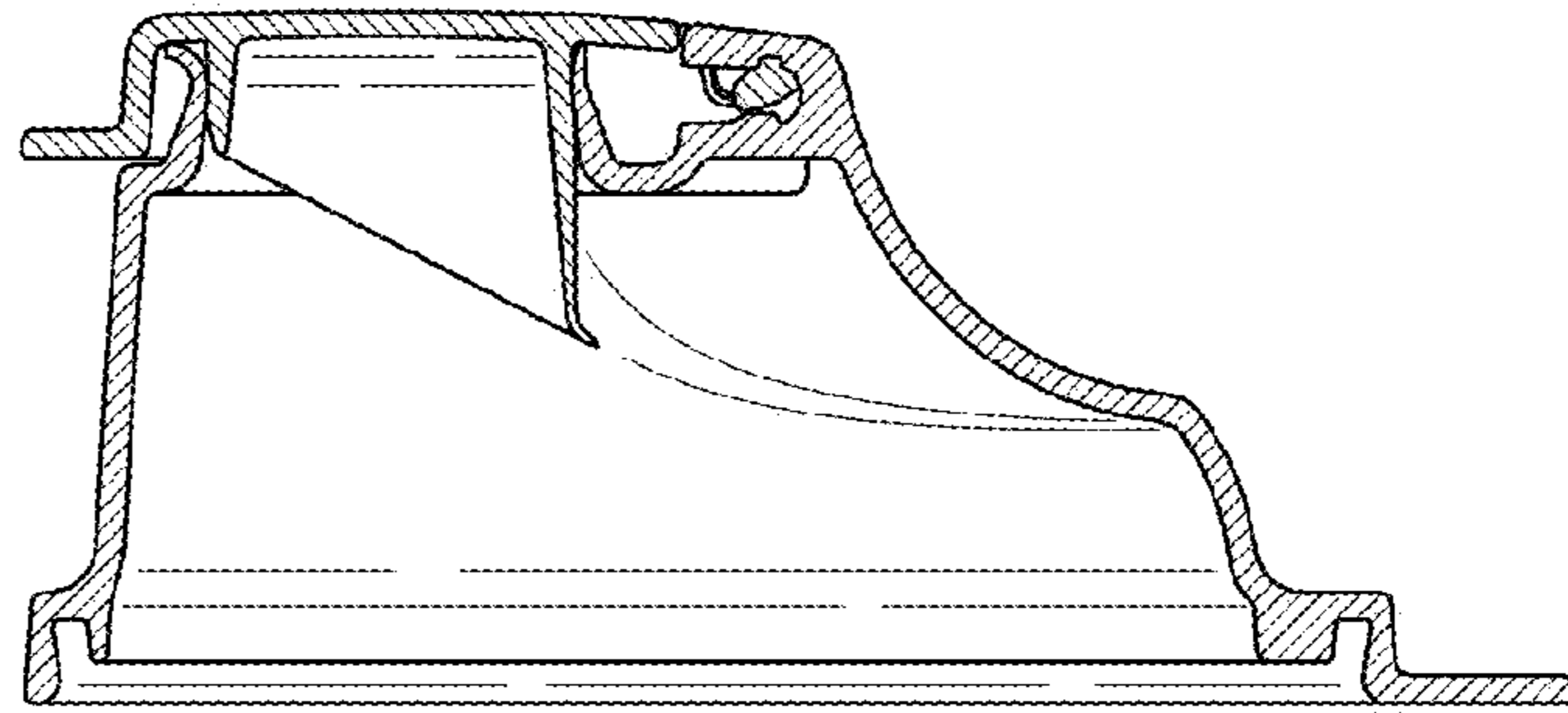


FIG. 14

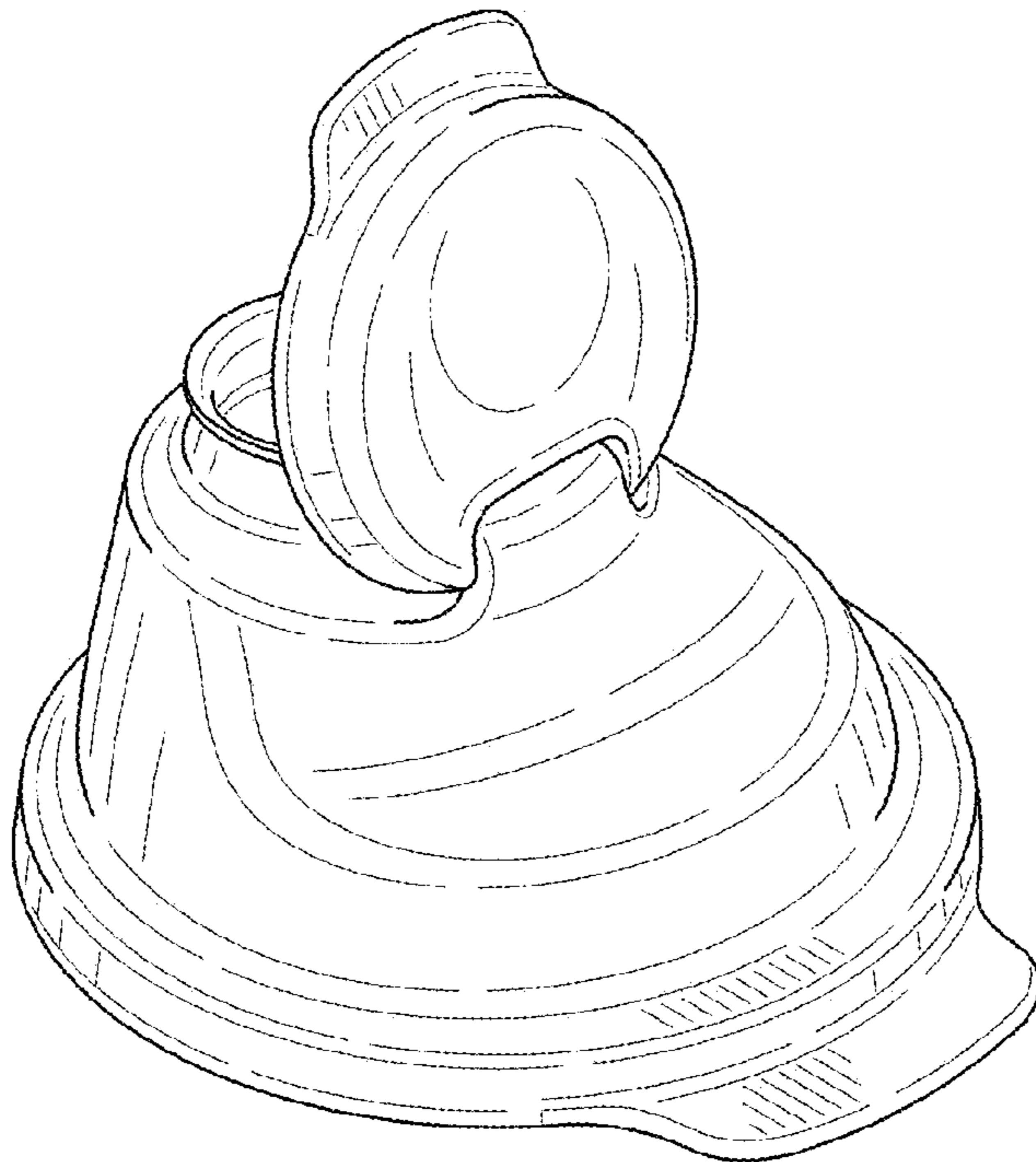


FIG. 15



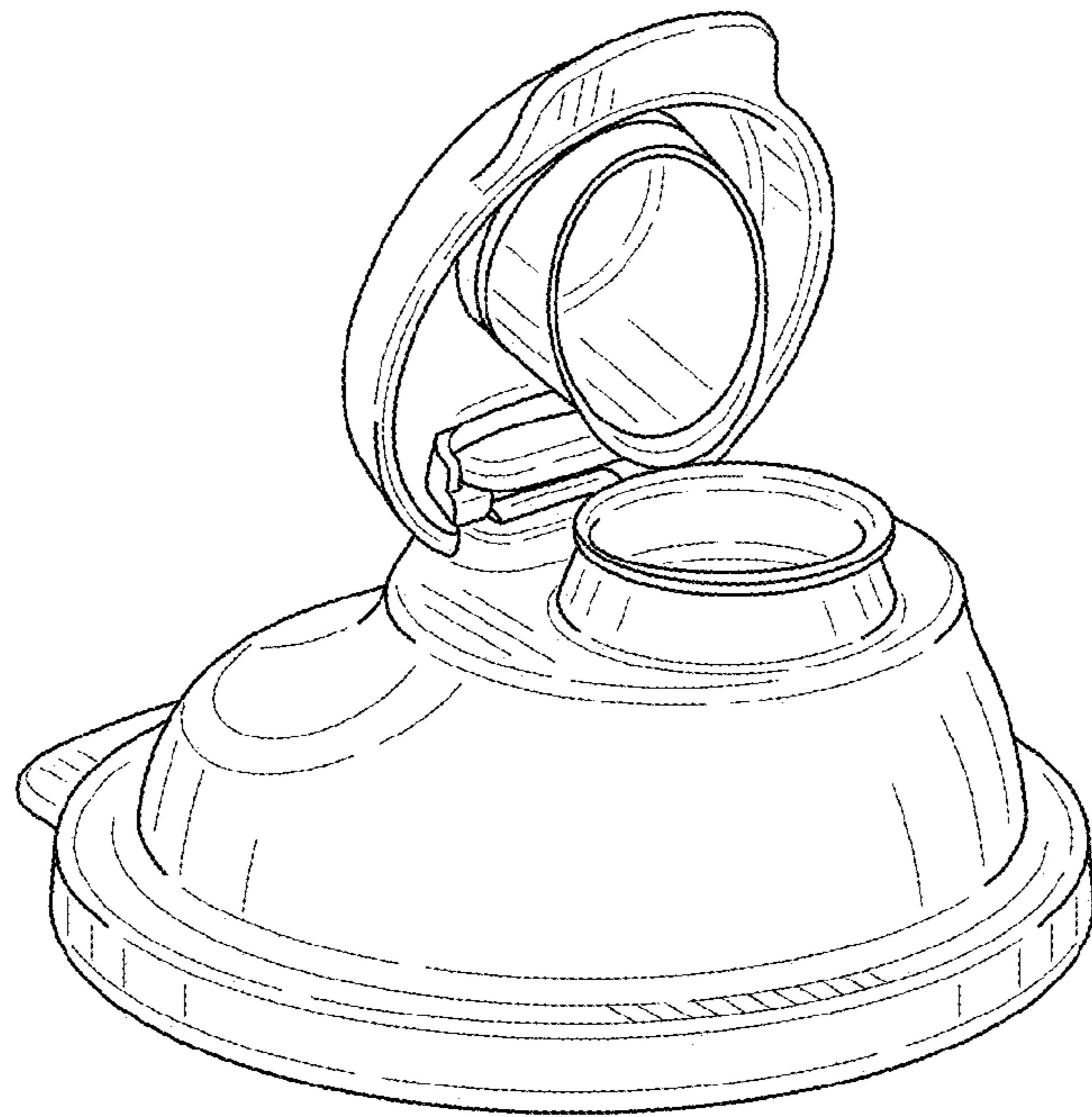


FIG. 16

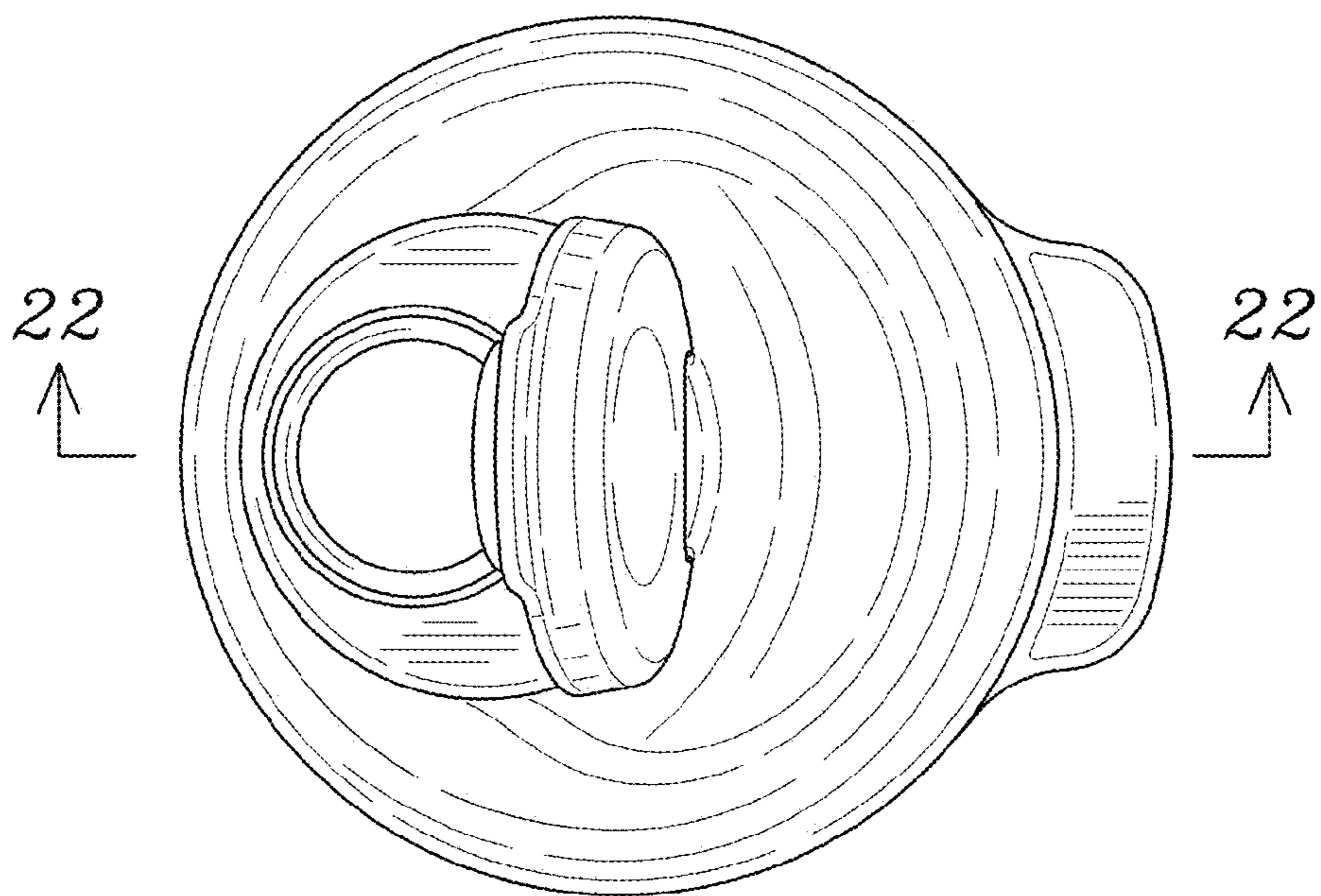
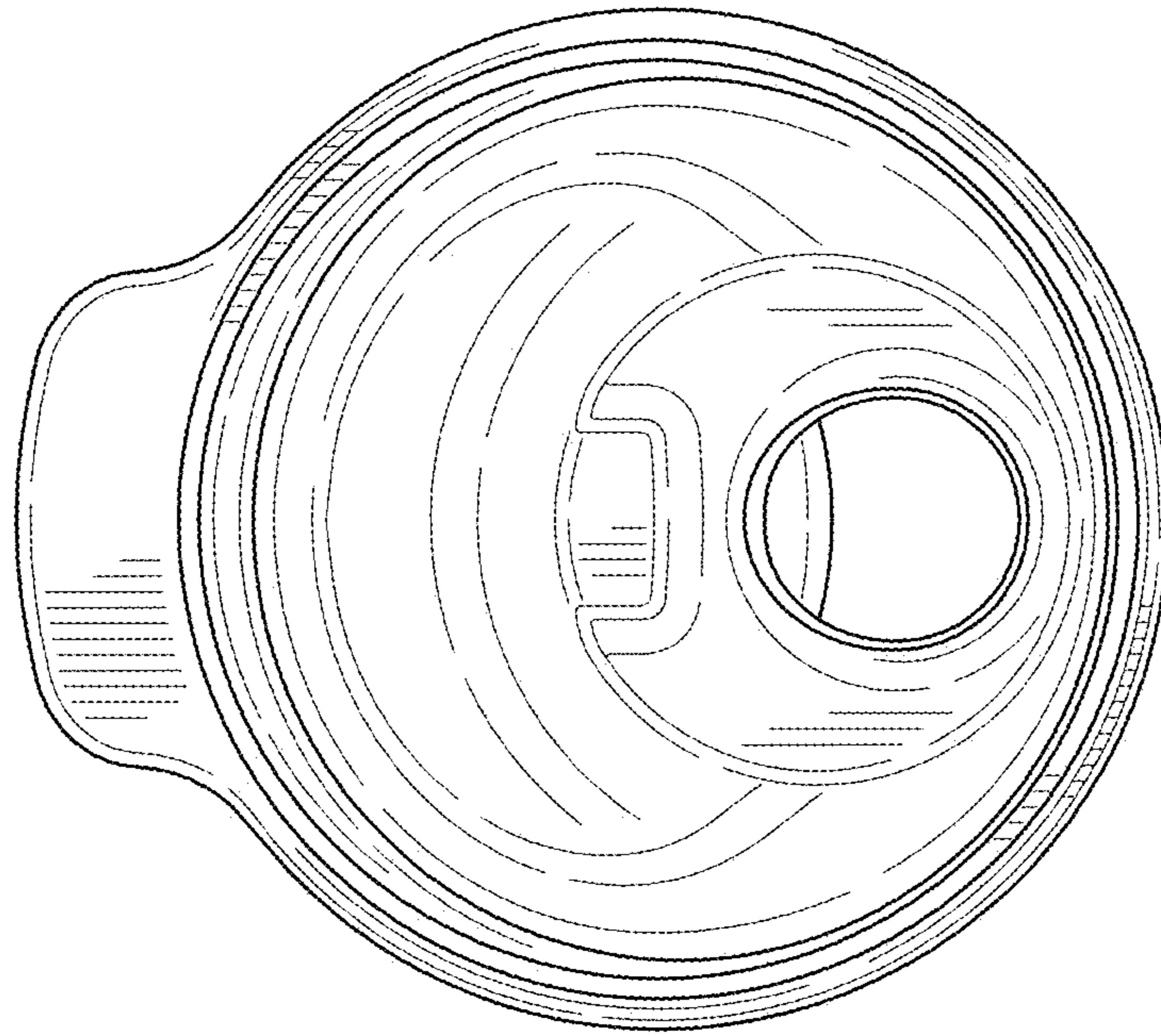
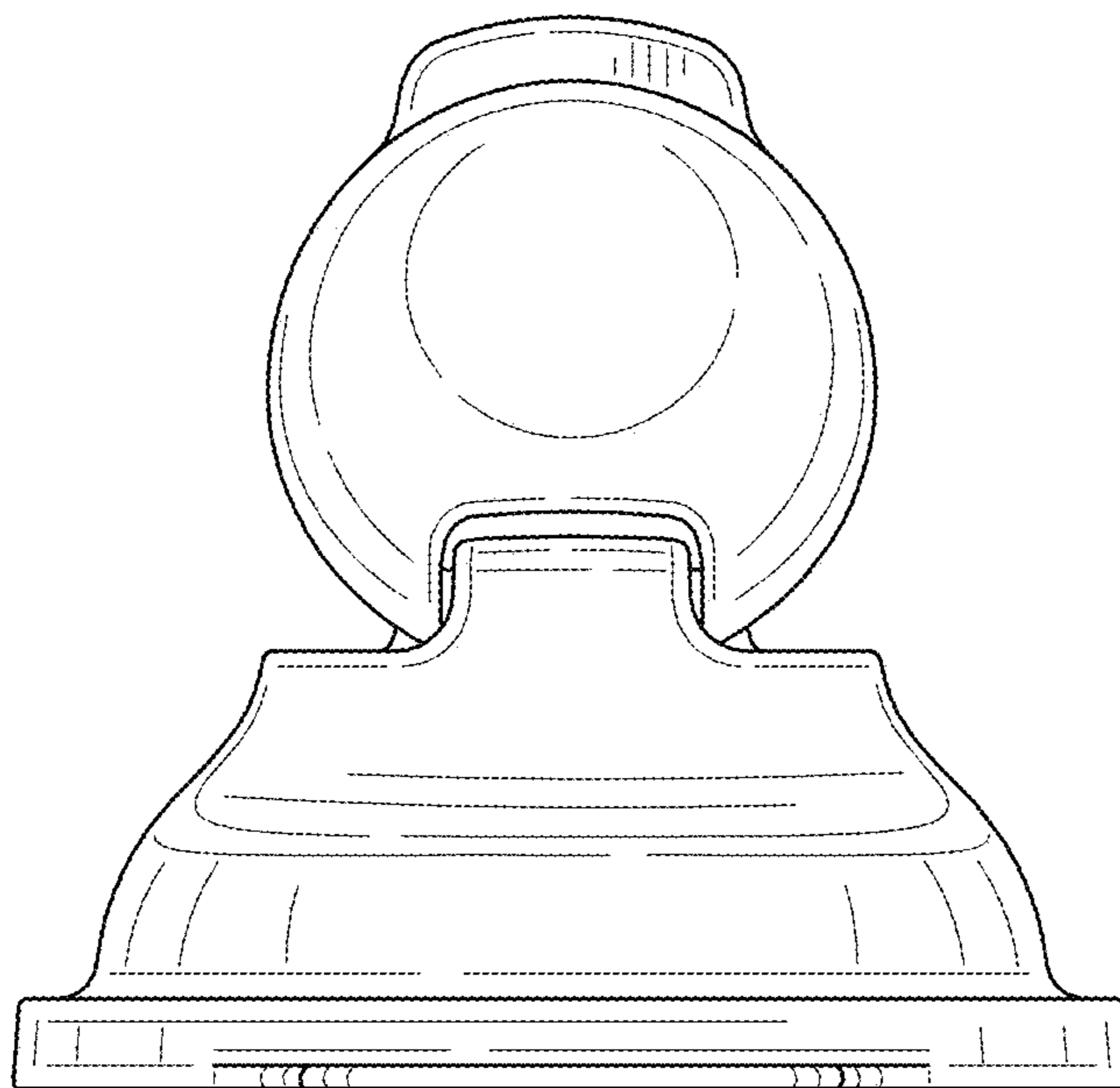


FIG. 17



*FIG. 18*



*FIG. 19*

FIG. 20

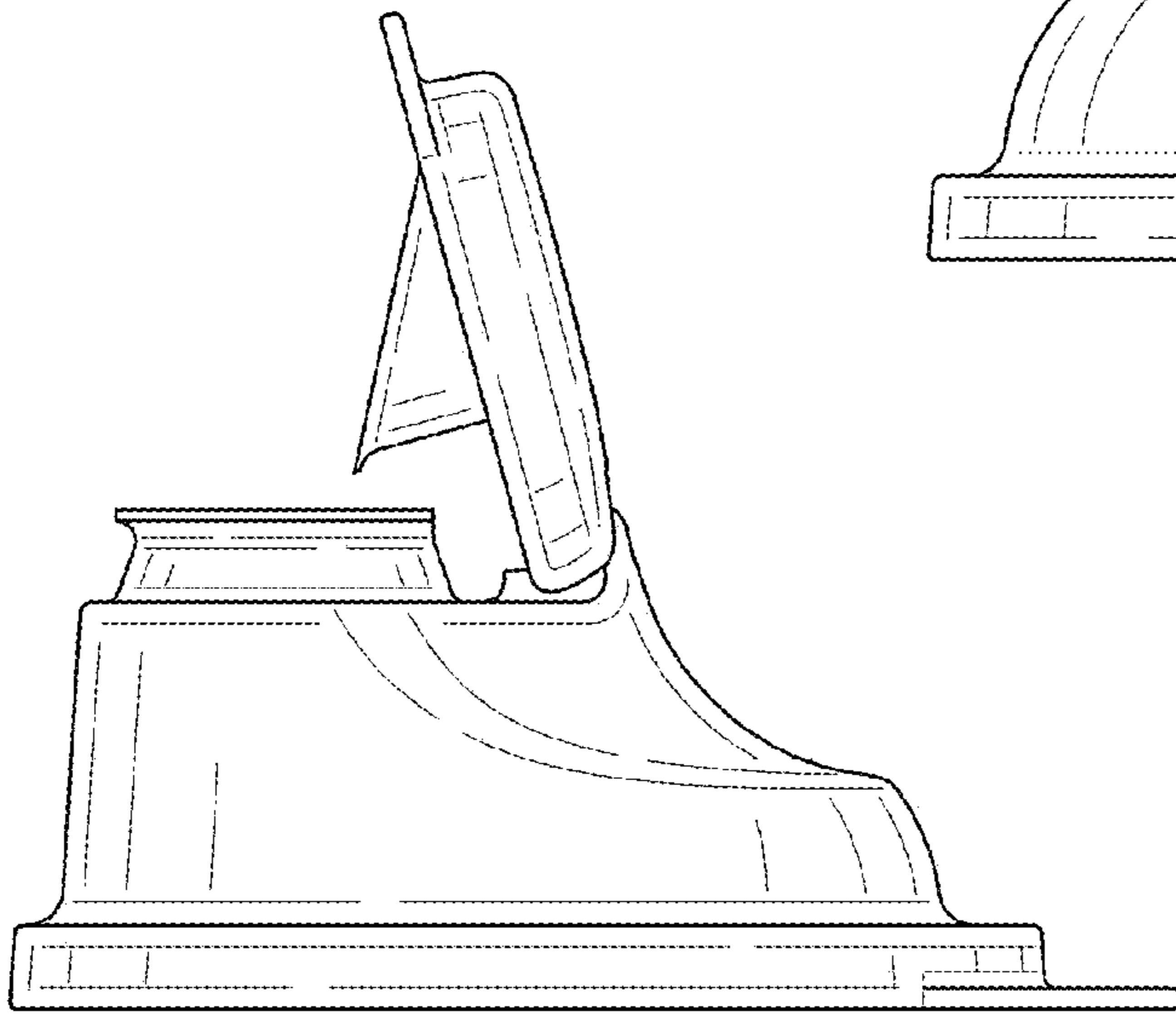
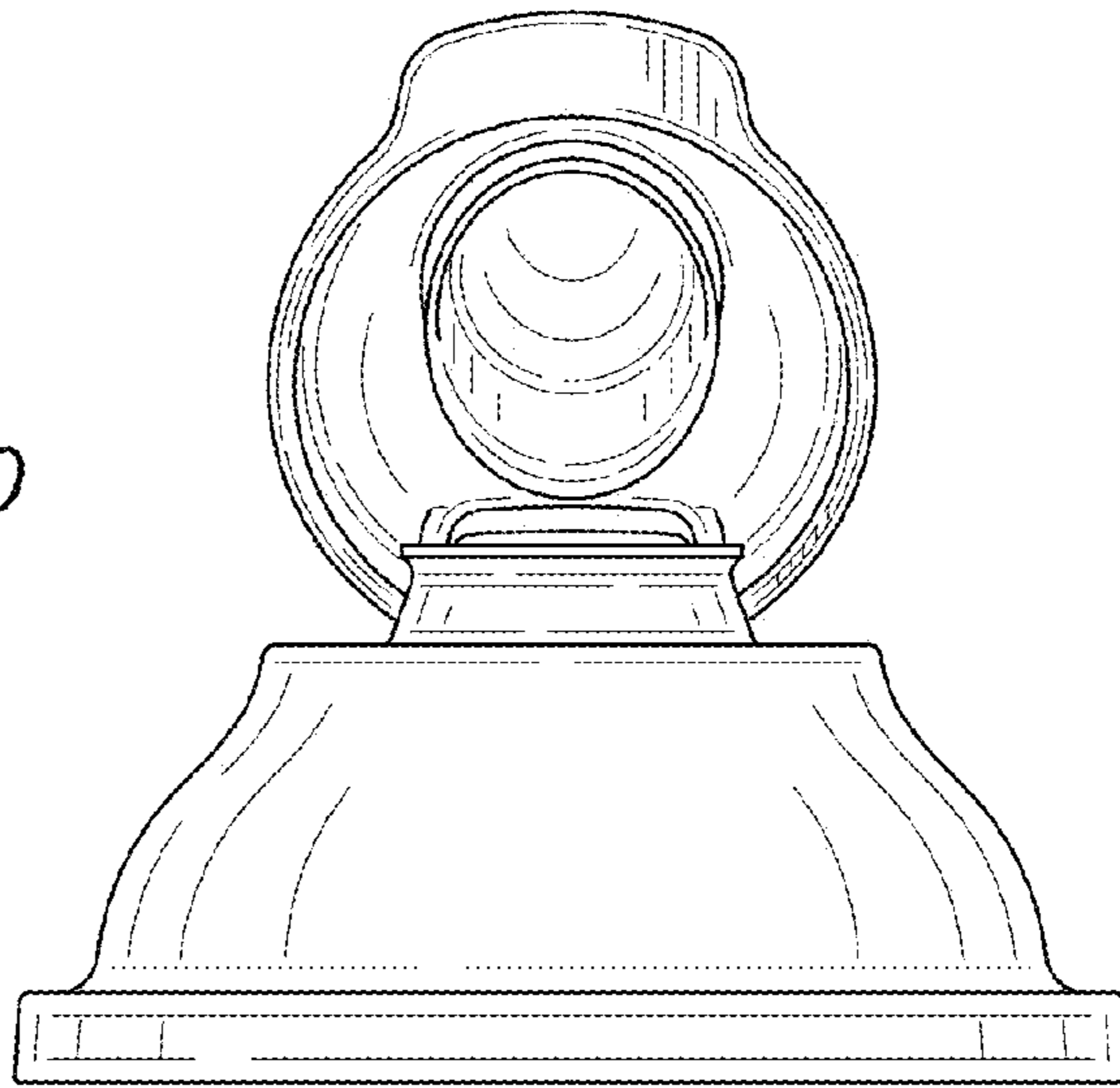


FIG. 21

FIG. 22

