



US00D772019S

(12) **United States Design Patent**  
**Williams**

(10) **Patent No.:** **US D772,019 S**

(45) **Date of Patent:** **\*\* \*Nov. 22, 2016**

(54) **COASTER**

(71) Applicant: **Firefly Industries, Inc.**, Tulsa, OK  
(US)

(72) Inventor: **Elizabeth A. Williams**, Broken Arrow,  
OK (US)

(73) Assignee: **Firefly Industries, Inc.**, Tulsa, OK  
(US)

(\*) Notice: This patent is subject to a terminal dis-  
claimer.

(\*\*) Term: **14 Years**

(21) Appl. No.: **29/504,438**

(22) Filed: **Oct. 6, 2014**

**Related U.S. Application Data**

(60) Continuation-in-part of application No. 29/461,342,  
filed on Jul. 22, 2013, now Pat. No. Des. 736,567,  
which is a continuation-in-part of application No.  
29/439,848, filed on Dec. 17, 2012, now Pat. No. Des.  
696,077, which is a division of application No.  
29/398,103, filed on Jul. 26, 2011, now Pat. No. Des.  
677,994.

(51) **LOC (10) Cl.** ..... **07-06**

(52) **U.S. Cl.**  
USPC ..... **D7/624.1**

(58) **Field of Classification Search**  
USPC ..... D7/624.1, 624.2, 624.3, 619.1-625,  
D7/387; D24/232; D26/14, 17, 98;  
215/393-396; 248/346.11  
CPC ..... A47B 91/00; A47B 95/00  
See application file for complete search history.

(56) **References Cited**

**U.S. PATENT DOCUMENTS**

493,646 A 3/1893 PaProth et al.  
2,210,102 A 8/1940 Steudel

2,333,028 A 10/1943 Merrill  
2,709,905 A 6/1955 Dunlap  
2,893,163 A \* 7/1959 Hazel, Jr. .... A47G 23/03  
248/346.11  
2,989,205 A 6/1961 Yaws  
3,248,016 A 4/1966 Dahl et al.  
3,268,198 A 8/1966 Swett  
D228,721 S 10/1973 Todd  
D229,655 S 12/1973 Cyren  
3,799,641 A 3/1974 Buck  
4,089,498 A 5/1978 Woodruff  
4,336,574 A 6/1982 Goodman  
4,978,566 A 12/1990 Scheurer et al.  
D323,383 S 1/1992 Keays et al.  
D340,270 S 10/1993 Jones  
5,273,182 A 12/1993 Laybourne  
5,316,255 A 5/1994 Marcusen  
D387,250 S 12/1997 Tubbesing  
D392,919 S 3/1998 Butler

(Continued)

*Primary Examiner* — Susan Bennett Hattan

*Assistant Examiner* — S. Bryan Reinholdt, Jr.

(74) *Attorney, Agent, or Firm* — Molly D. McKay

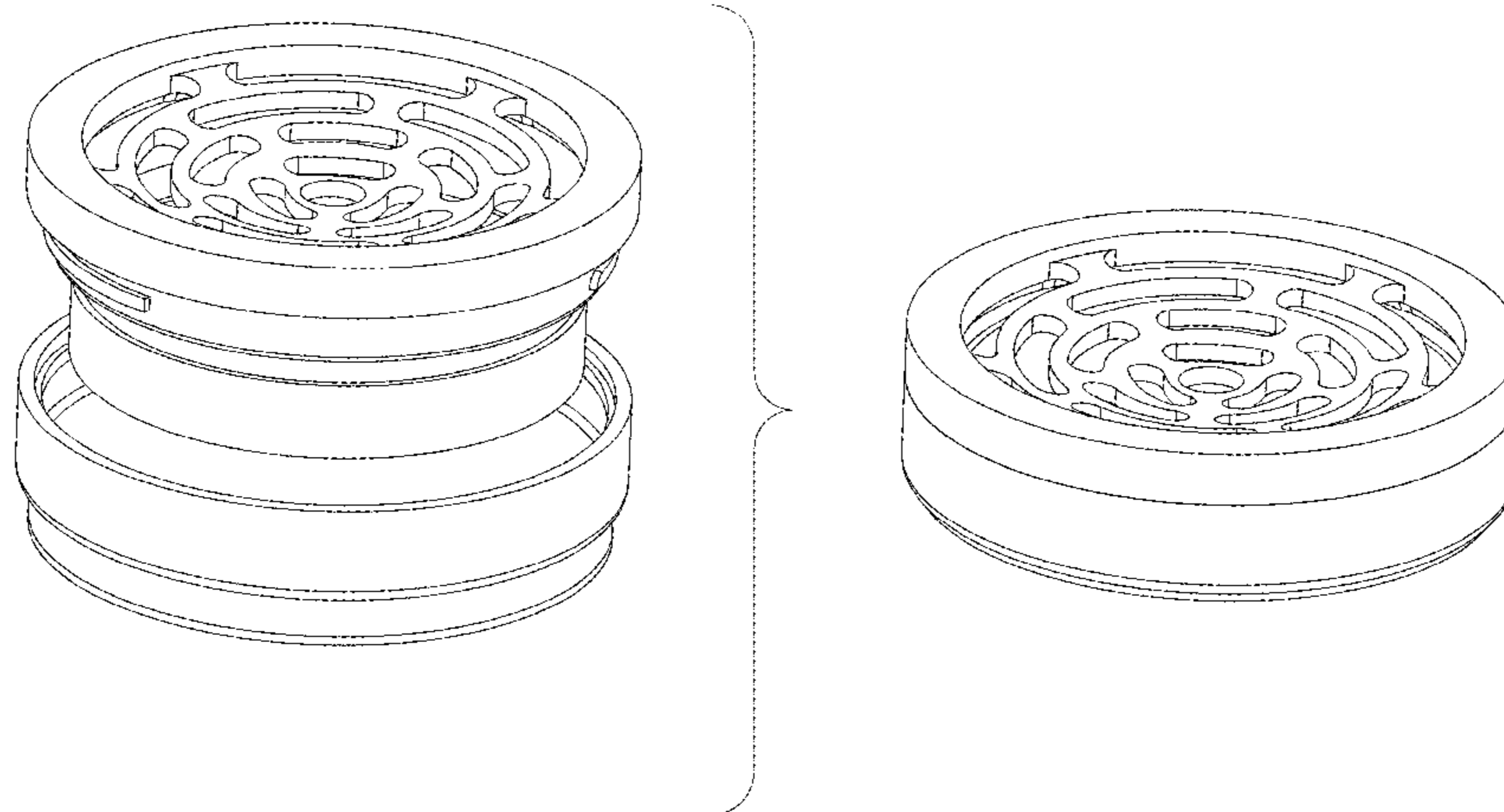
(57) **CLAIM**

The ornamental design for a coaster, as shown and  
described.

**DESCRIPTION**

FIG. 1 is an exploded perspective view of the preferred  
embodiment showing my new coaster design;  
FIG. 2 is a perspective view of the assembled coaster  
thereof;  
FIG. 3 is a top plan view of the coaster thereof;  
FIG. 4 is side view of the coaster thereof;  
FIG. 5 is a top plan view of a sponge shown in the exploded  
view that inserts into the coaster as a part thereof;  
FIG. 6 is an exploded cross sectional view taken along line  
6-6 of FIG. 3 thereof; and,  
FIG. 7 is a cross sectional view taken along line 7-7 of FIG.  
3 thereof.

**1 Claim, 3 Drawing Sheets**



(56)

References Cited

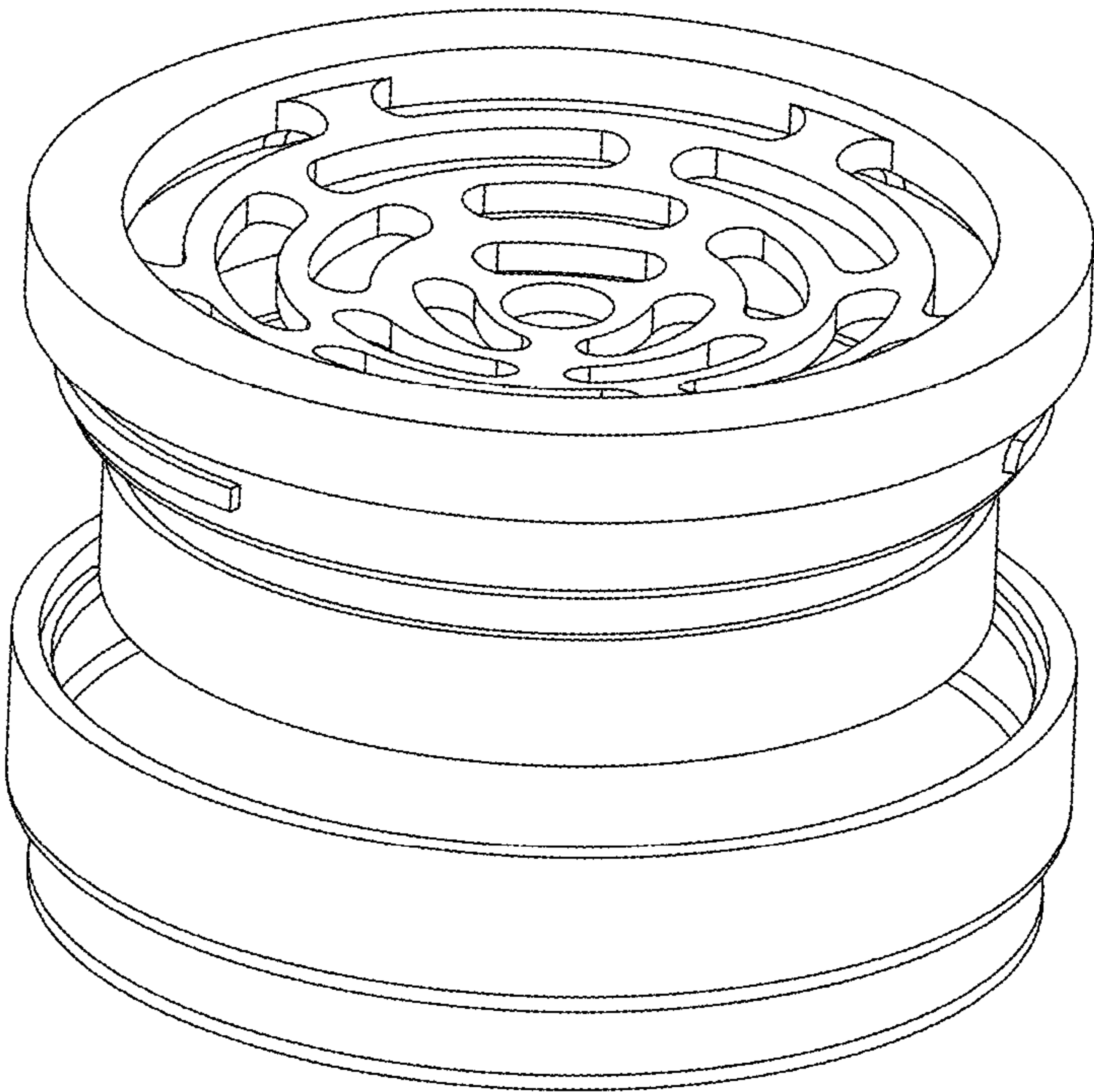
U.S. PATENT DOCUMENTS

5,743,506 A 4/1998 Adams  
D408,227 S 4/1999 Swann, Jr.  
D428,776 S 8/2000 Shuman  
D441,441 S 5/2001 Upson  
6,550,737 B1 4/2003 Sai et al.  
D483,621 S \* 12/2003 Snell ..... D7/624.1  
D491,257 S 6/2004 Picken, Jr.  
7,240,720 B2 7/2007 Noel  
D638,664 S 5/2011 Mayer  
D673,253 S 12/2012 Mack

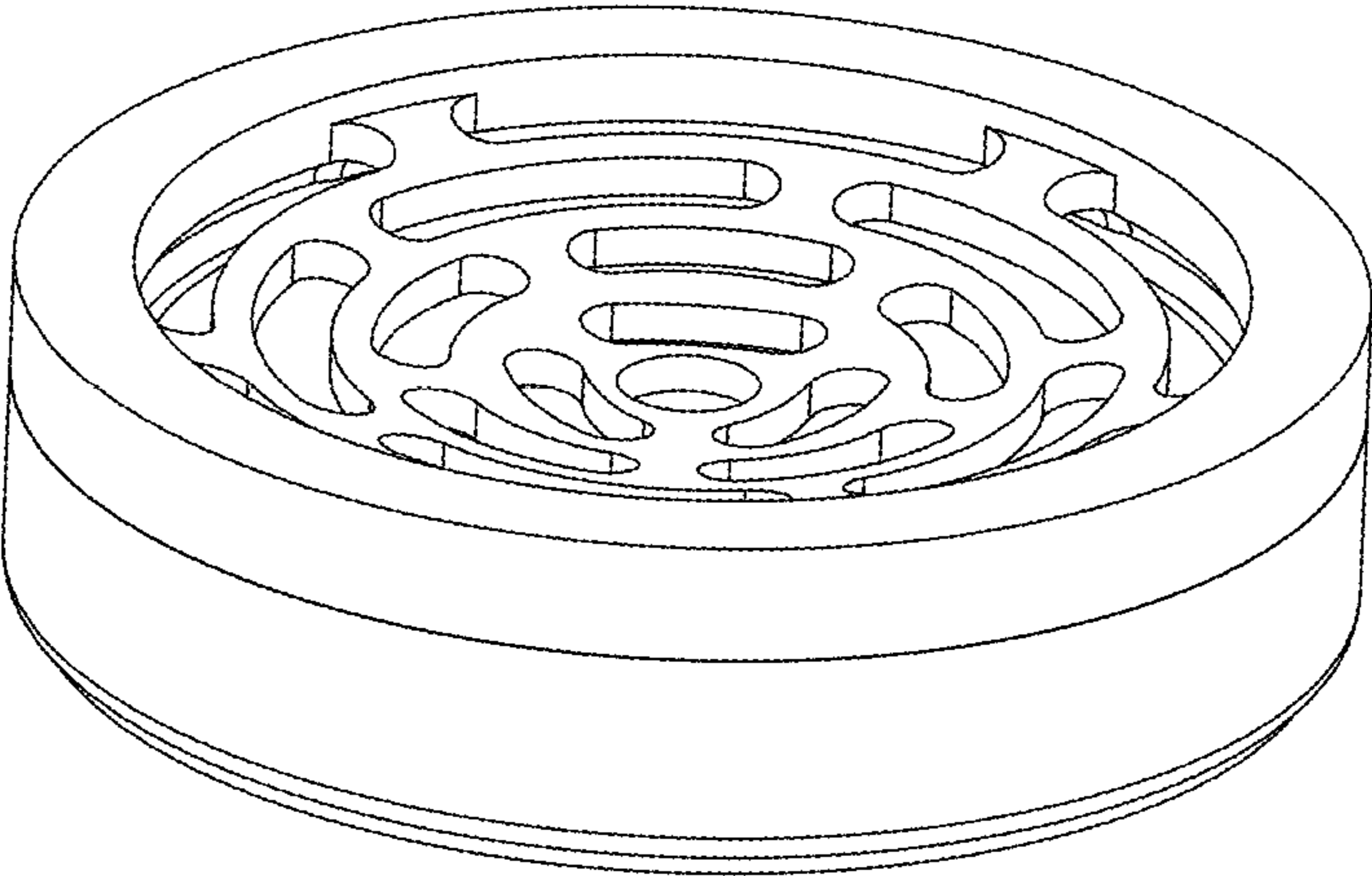
D677,994 S 3/2013 Williams  
D696,077 S 12/2013 Williams  
D730,126 S \* 5/2015 Wall ..... D7/624.1  
D736,567 S \* 8/2015 Williams ..... D7/624.1  
D738,691 S \* 9/2015 Williams ..... D7/624.1  
2002/0121583 A1 9/2002 Jones et al.  
2003/0106981 A1 6/2003 Ropp  
2006/0016294 A1 1/2006 McGrath et al.  
2007/0012067 A1 1/2007 Kaplan  
2008/0272261 A1 11/2008 Morlan  
2009/0020676 A1 1/2009 Curry  
2009/0060799 A1 3/2009 Torres  
2012/0223089 A1 9/2012 Moore

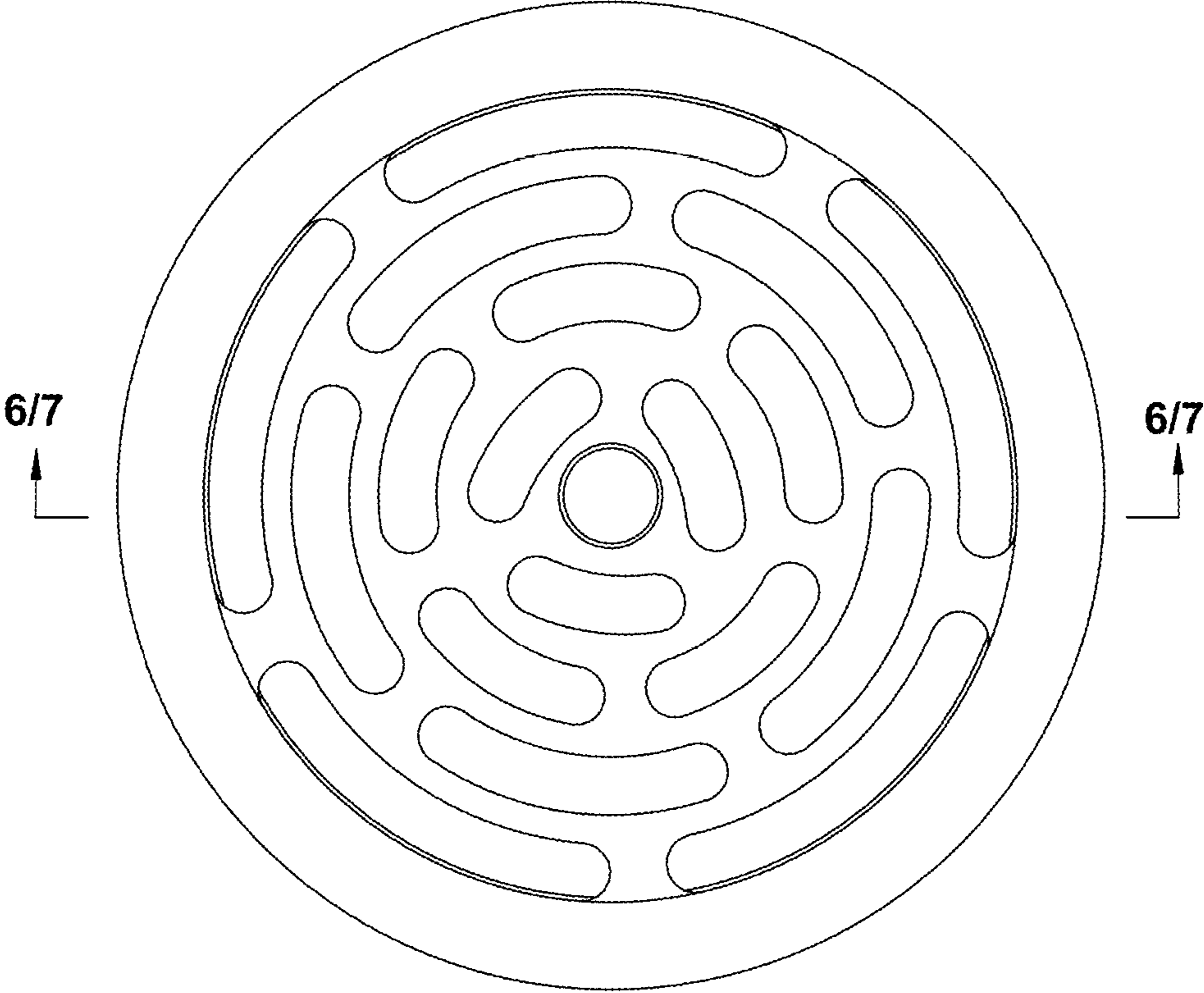
\* cited by examiner

**FIG. 1**

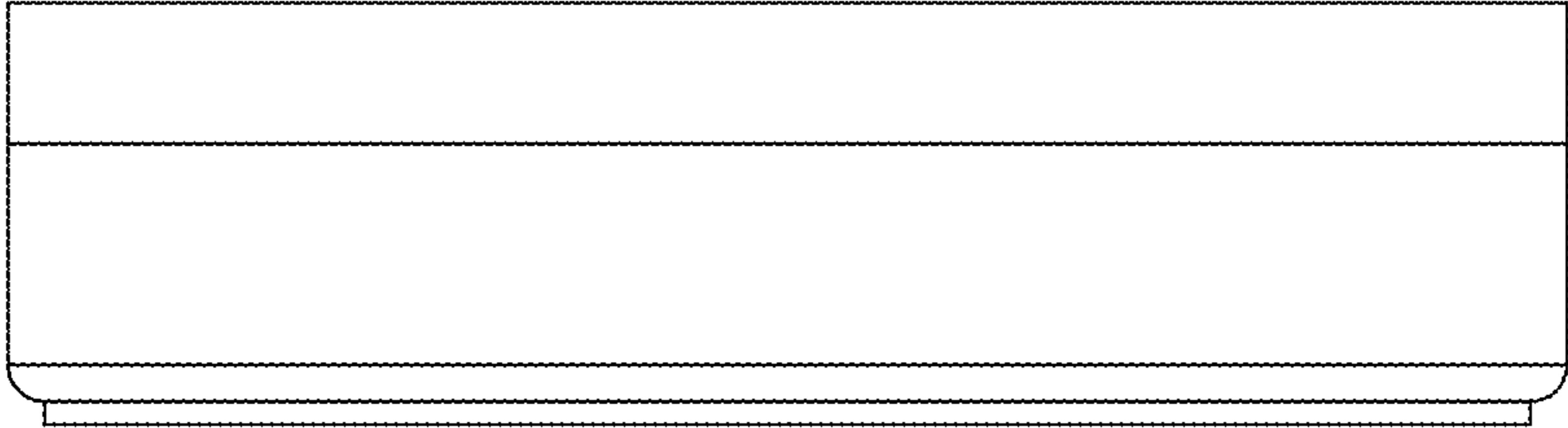


**FIG. 2**



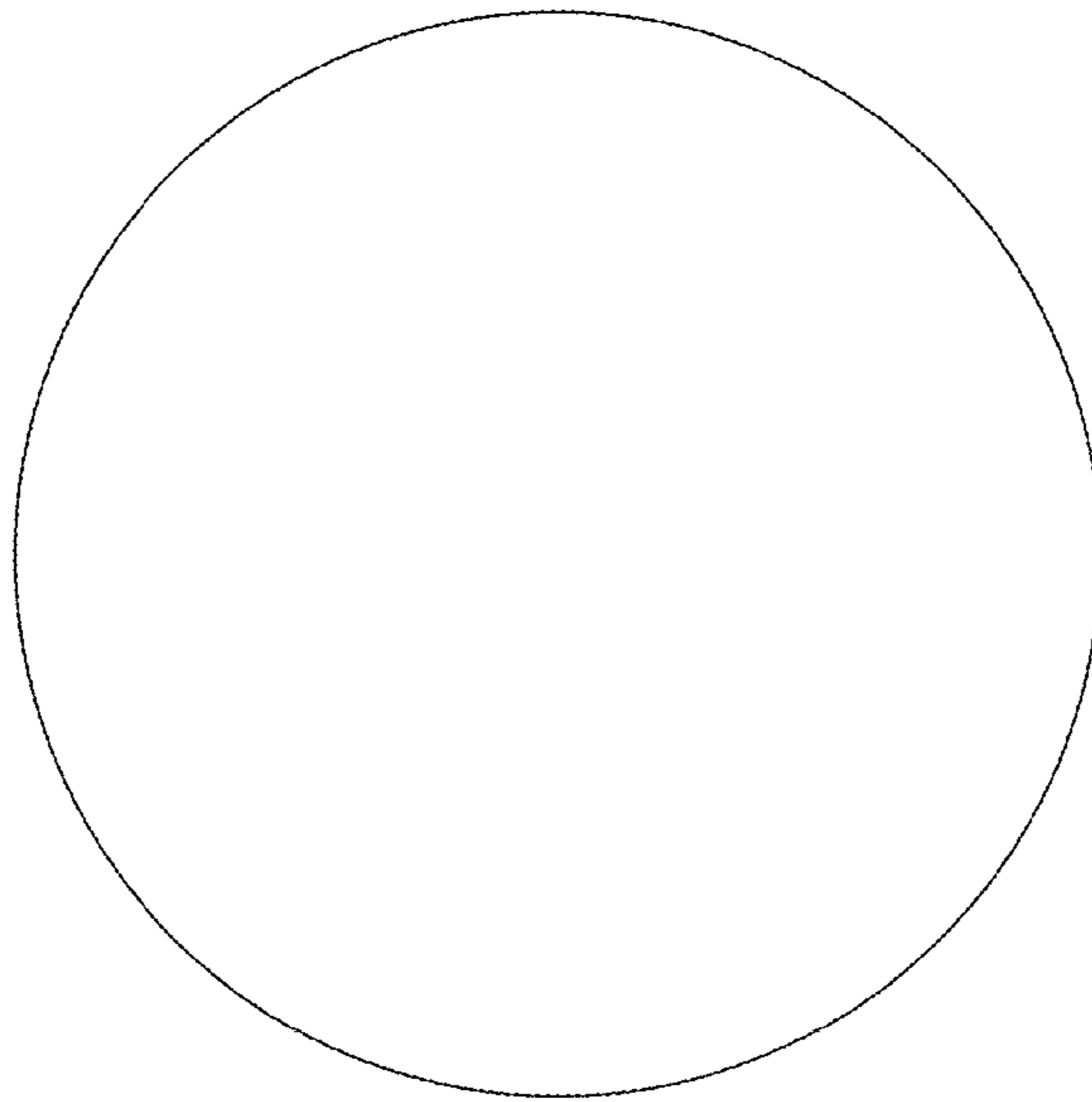


**FIG. 3**



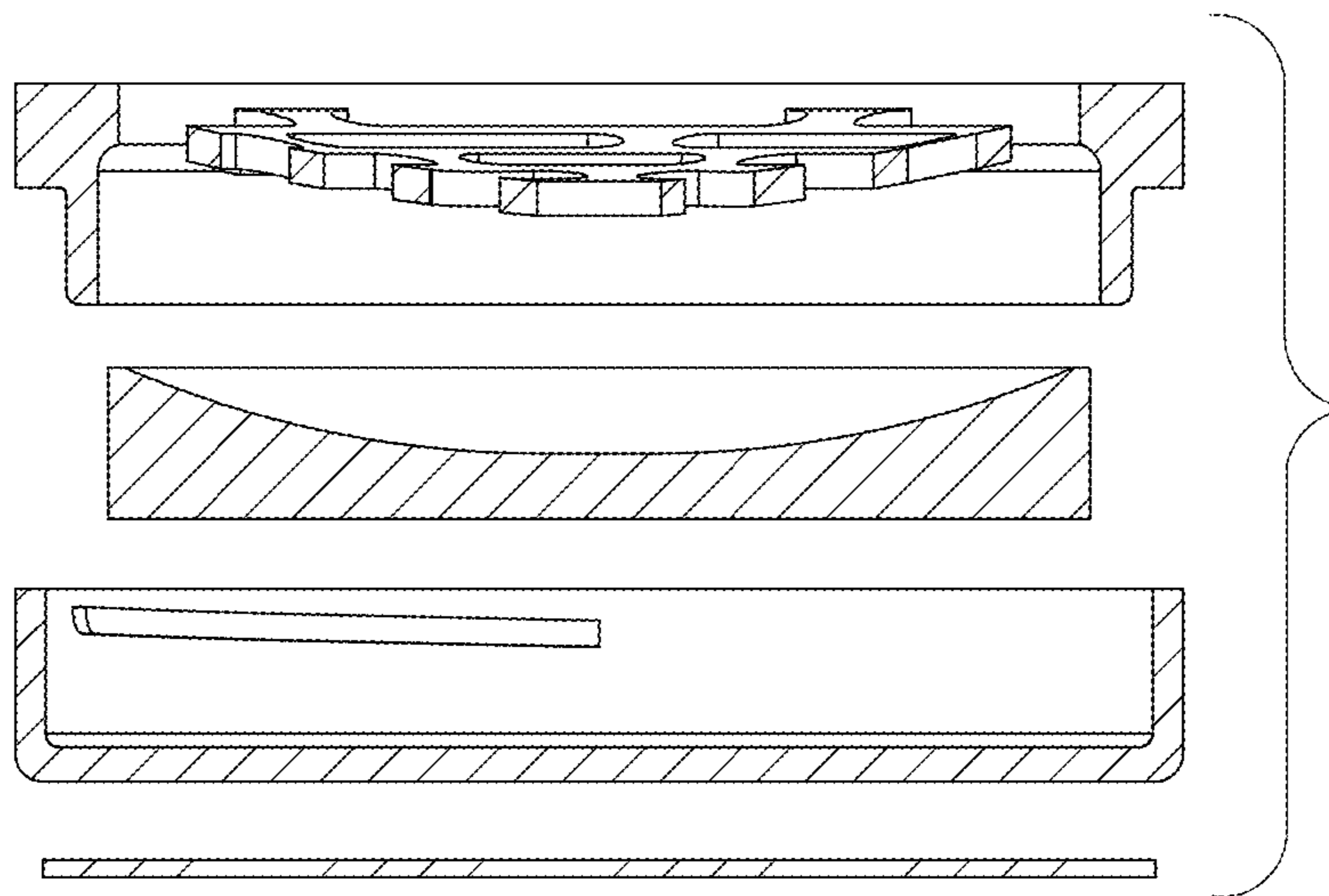
**FIG. 4**





**FIG. 5**

**FIG. 6**



**FIG. 7**

