



US00D772016S

(12) **United States Design Patent**
Tsai

(10) **Patent No.:** **US D772,016 S**

(45) **Date of Patent:** **** Nov. 22, 2016**

(54) **SPICE RACK**

(71) Applicant: **PRETTY STAR STORE LLC**,
Rowland Heights, CA (US)

(72) Inventor: **Tsung-Yu Tsai**, Changhua (TW)

(73) Assignee: **PRETTY STAR STORE LLC**,
Rowland Heights, CA (US)

(**) Term: **14 Years**

(21) Appl. No.: **29/525,248**

(22) Filed: **Apr. 28, 2015**

(51) **LOC (10) Cl.** **07-06**

(52) **U.S. Cl.**
USPC **D7/600.1; D7/704; D6/675.2**

(58) **Field of Classification Search**
USPC **D7/600, 648, 704, 600.1;**
248/175; 211/85.31; D8/373, 370, 363,
D8/354
CPC **A47J 43/00; A47J 47/16; A47J 47/20;**
A47B 73/002; A47B 55/02; A47B 47/021;
A47B 77/18; A47F 5/0876; A47F 5/083
See application file for complete search history.

(56) **References Cited**

U.S. PATENT DOCUMENTS

D467,097 S * 12/2002 Poynter D6/675.2
D676,715 S * 2/2013 Tsai D7/600.1
D694,588 S * 12/2013 Tsai D7/600.1

D720,575 S * 1/2015 Goodman D7/600
D739,681 S * 9/2015 Bee D7/600.4
D743,214 S * 11/2015 Hertaus D7/600.4
D747,629 S * 1/2016 Goodman D7/600.4
D747,630 S * 1/2016 Goodman D7/601
D752,395 S * 3/2016 Chen D6/675.2
D753,421 S * 4/2016 Cheng D6/675.2
D756,177 S * 5/2016 Tsai D6/681
D764,263 S * 8/2016 Goodman D8/370

* cited by examiner

Primary Examiner — Rosemary K Tarcza

Assistant Examiner — James Thorn, Sr.

(74) *Attorney, Agent, or Firm* — Muncy, Geissler, Olds & Lowe, P.C.

(57) **CLAIM**

The ornamental design for a spice rack, as shown and described.

DESCRIPTION

FIG. 1 is a perspective view of a spice rack showing my new design;

FIG. 2 is a front view thereof;

FIG. 3 is a rear view thereof;

FIG. 4 is a left side view thereof;

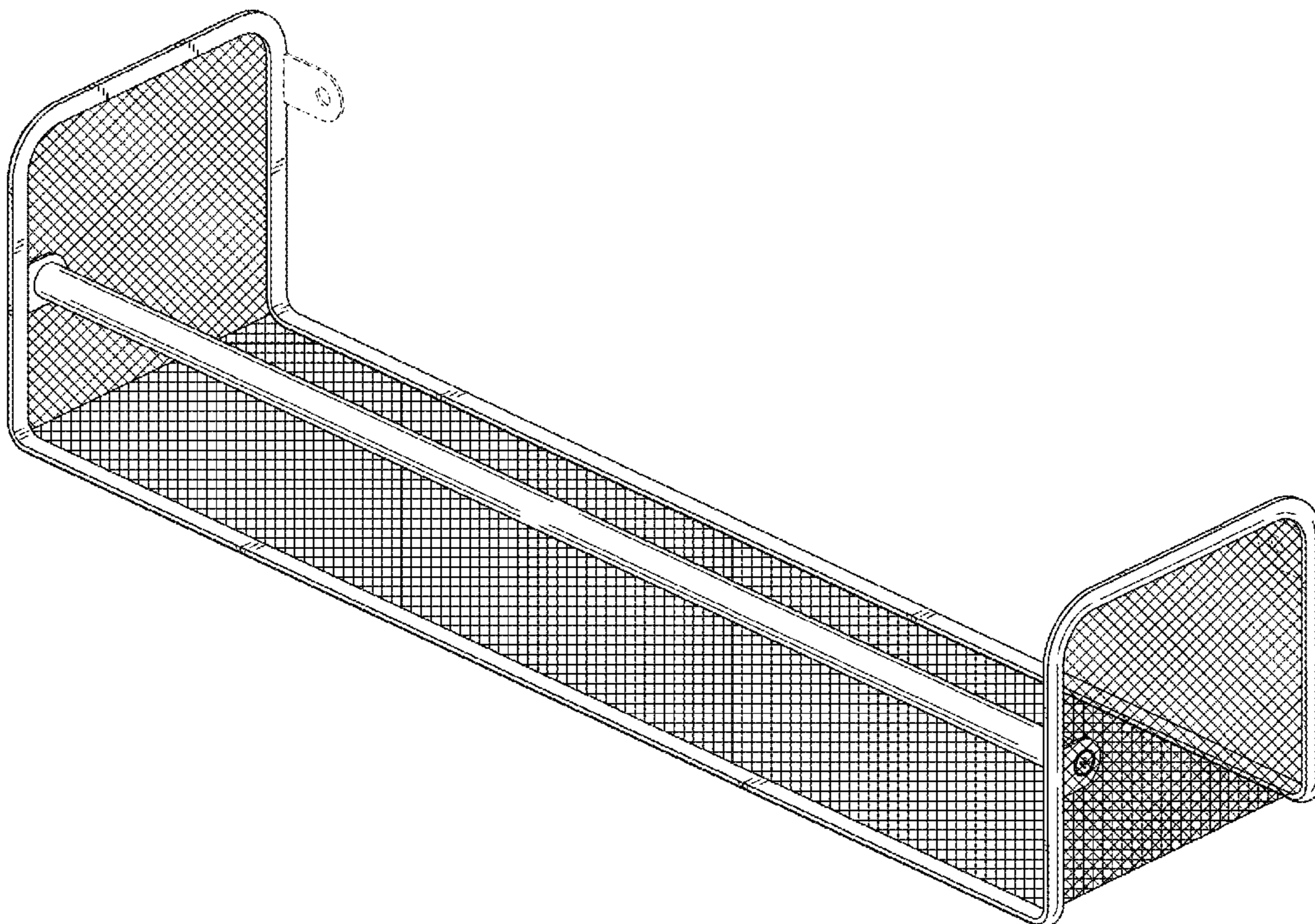
FIG. 5 is a right side view thereof;

FIG. 6 is a top plan view thereof; and,

FIG. 7 is a bottom plan view.

The broken lines shown in the drawings are included for the purpose of illustrating environmental structure and form no part of the claimed design.

1 Claim, 6 Drawing Sheets



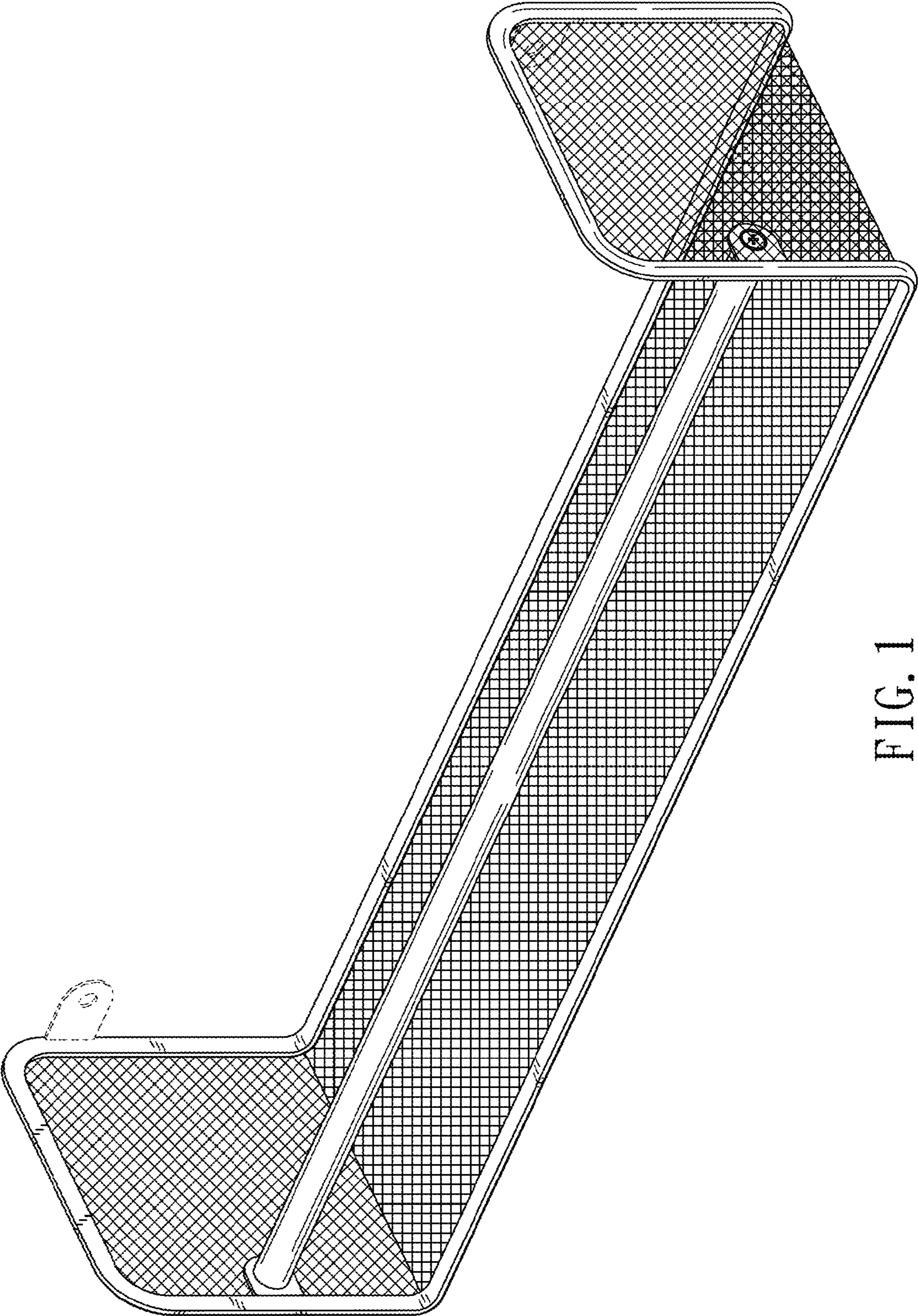


FIG. 1

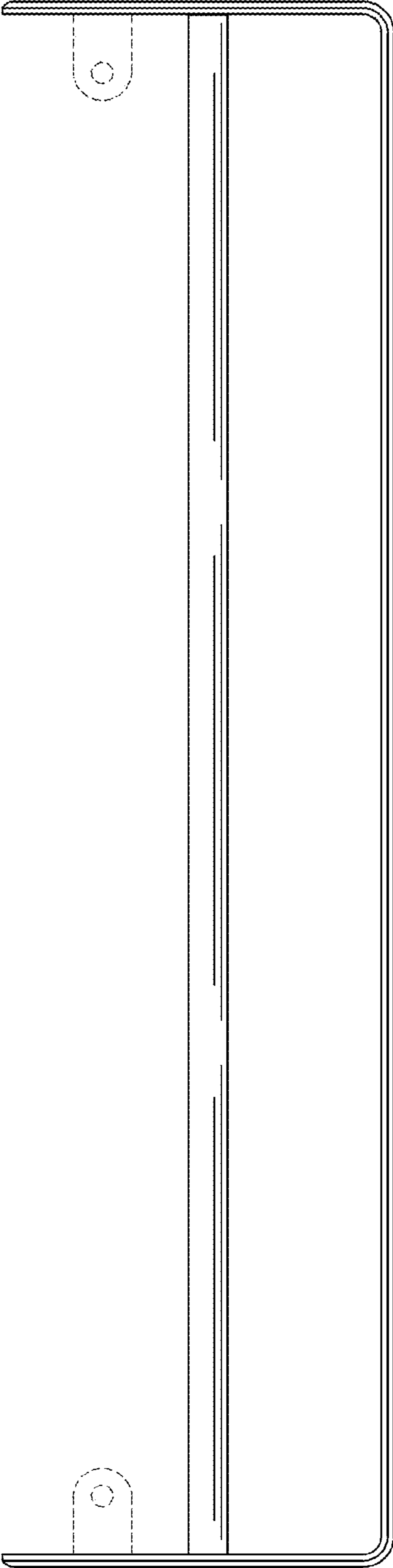


FIG. 2

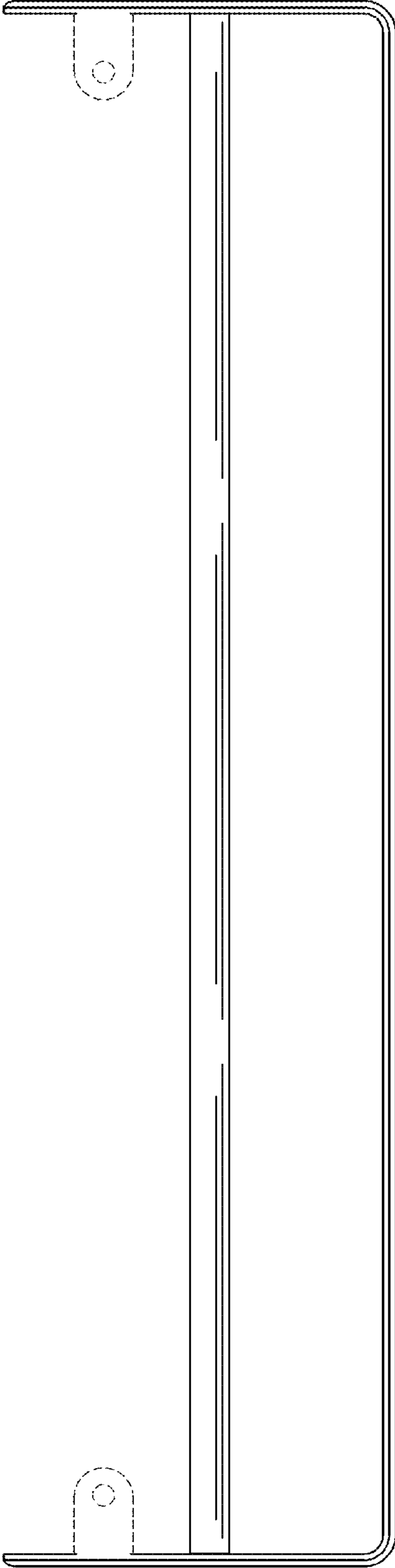


FIG. 3

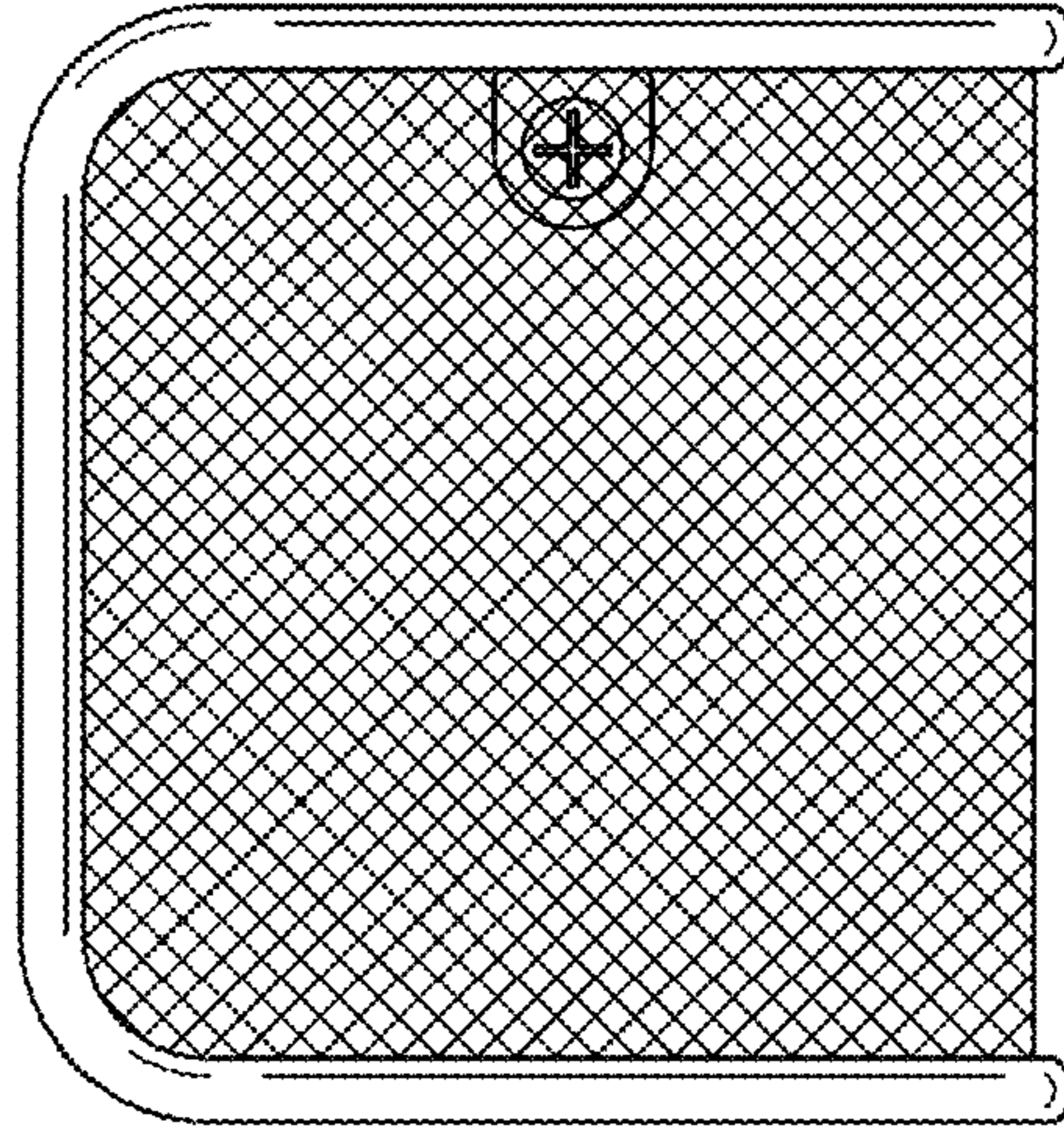


FIG. 5

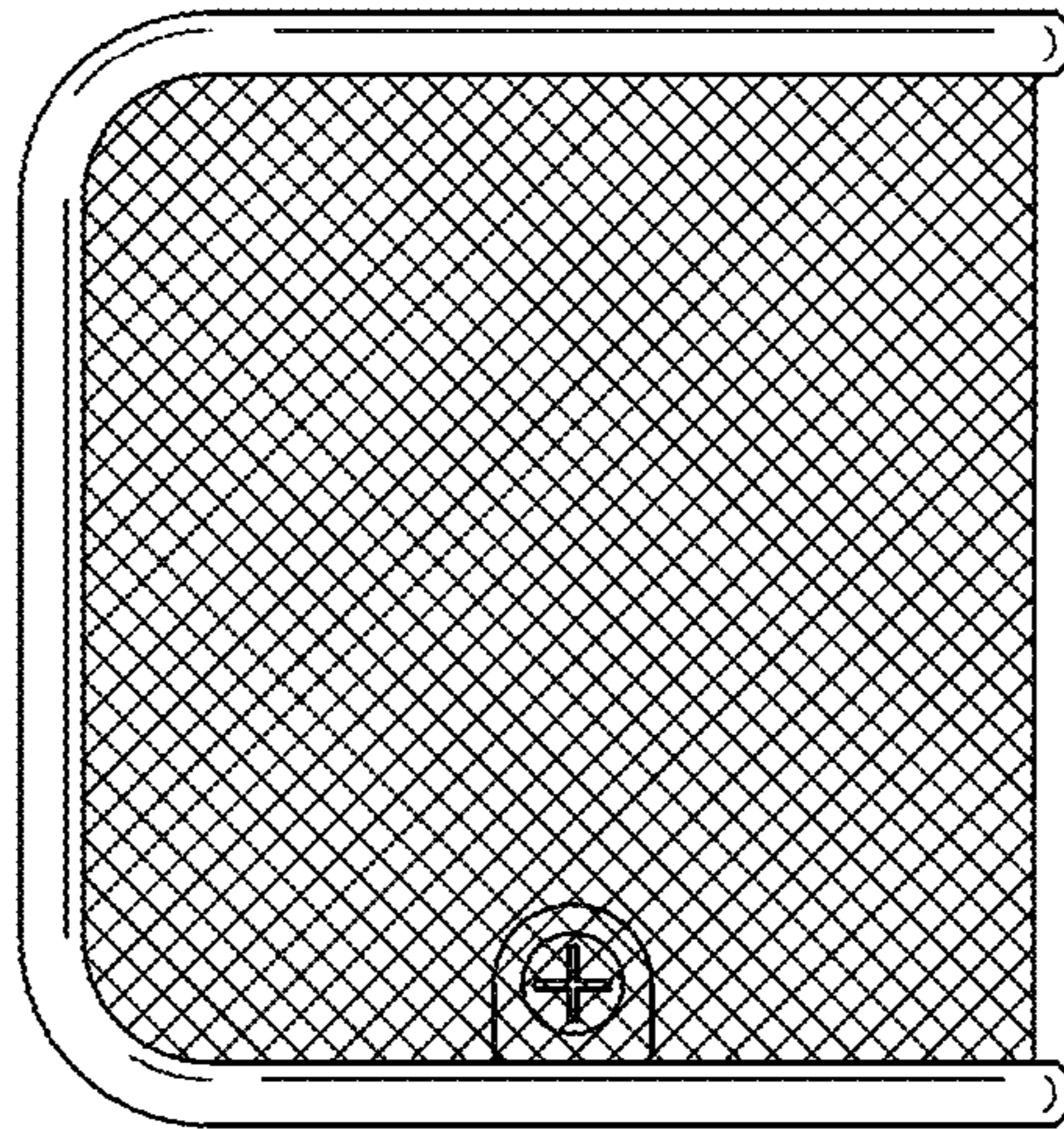


FIG. 4

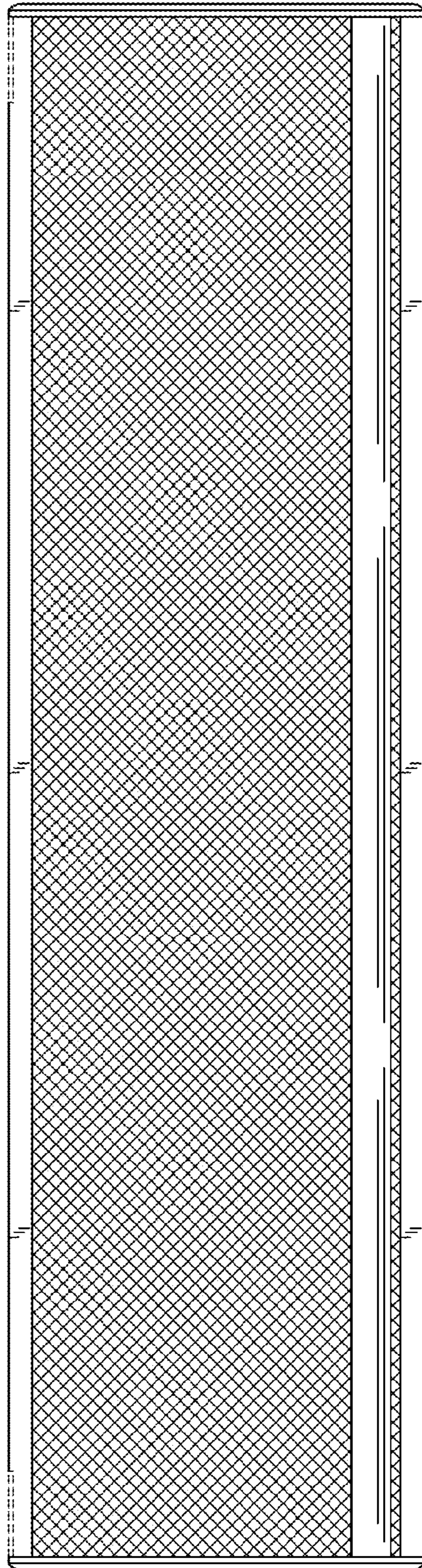


FIG. 6

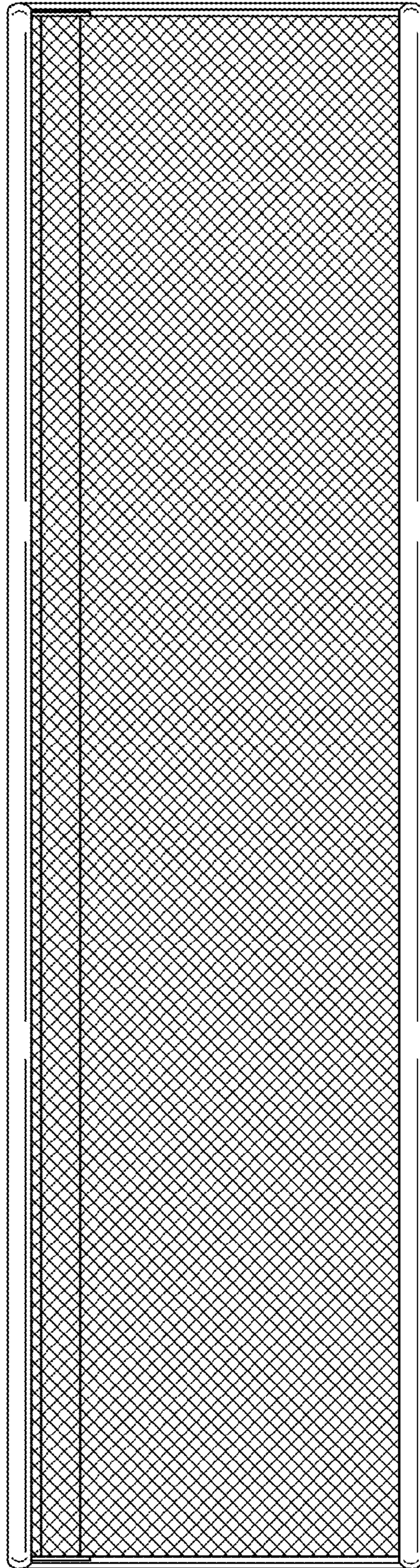


FIG. 7