



US00D772015S

(12) **United States Design Patent** (10) **Patent No.:** **US D772,015 S**  
**Tsai** (45) **Date of Patent:** **\*\* Nov. 22, 2016**

- (54) **SPICE RACK**
- (71) Applicant: **Pretty Star Store LLC**, Rowland Heights, CA (US)
- (72) Inventor: **Tsung-Yu Tsai**, Changhua (TW)
- (73) Assignee: **PRETTY STAR STORE LLC**, Rowland Heights, CA (US)
- (\*\*) Term: **14 Years**
- (21) Appl. No.: **29/518,037**
- (22) Filed: **Feb. 19, 2015**
- (51) **LOC (10) Cl.** ..... **07-06**
- (52) **U.S. Cl.**  
 USPC ..... **D7/600.1; D7/704; D6/675.2**
- (58) **Field of Classification Search**  
 USPC ..... D7/600, 648, 704, 600.4, 600.1; 248/175; 211/85.31; D8/373, 370, 363, D8/354  
 CPC ..... A47J 43/00; A47J 47/16; A47J 47/20; A47B 73/002; A47B 55/02; A47B 47/021; A47B 77/18; A47F 5/0876; A47F 5/083  
 See application file for complete search history.

(56) **References Cited**

**U.S. PATENT DOCUMENTS**

- D467,097 S \* 12/2002 Poynter ..... D6/675.2  
 D676,715 S \* 2/2013 Tsai ..... D7/600.1  
 D694,588 S \* 12/2013 Tsai ..... D7/600.1  
 D720,575 S \* 1/2015 Goodman ..... D7/600  
 D739,681 S \* 9/2015 Bee ..... D7/600.4

- D743,214 S \* 11/2015 Hertaus ..... D7/600.4  
 D747,629 S \* 1/2016 Goodman ..... D7/600.4  
 D747,630 S \* 1/2016 Goodman ..... D7/601  
 D752,395 S \* 3/2016 Chen ..... D6/675.2  
 D753,421 S \* 4/2016 Cheng ..... D6/675.2  
 D756,177 S \* 5/2016 Tsai ..... D6/681  
 D764,263 S \* 8/2016 Goodman ..... D8/370

\* cited by examiner

*Primary Examiner* — Rosemary K Tarcza

*Assistant Examiner* — James Thorn, Sr.

(74) *Attorney, Agent, or Firm* — Muncy, Geissler, Olds & Lowe, P.C.

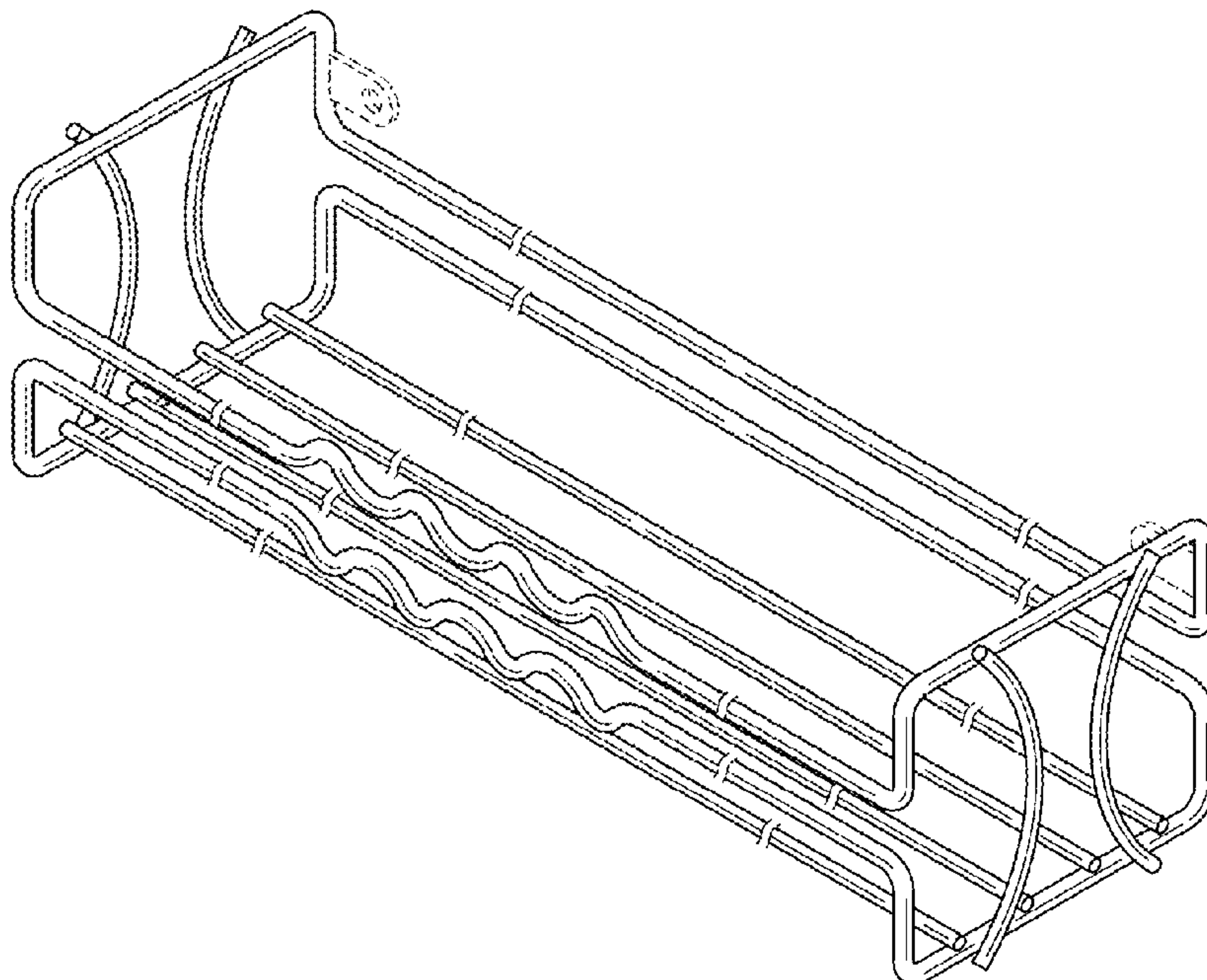
(57) **CLAIM**

The ornamental design for a spice rack, as shown and described.

**DESCRIPTION**

FIG. 1 is a perspective view of the present design;  
 FIG. 2 is a front view of the present design;  
 FIG. 3 is a rear view of the present design;  
 FIG. 4 is a left side view of the present design;  
 FIG. 5 is a right side view of the present design;  
 FIG. 6 is a top view of the present design; and,  
 FIG. 7 is a bottom view of the present design.  
 The broken lines shown in the drawings are included for the purpose of illustrating environmental structure and form no part of the claimed design.  
 The spice rack is shown with a symbolic break in its length. The appearance of any portion of the article between the break lines forms no part of the claimed design.

**1 Claim, 4 Drawing Sheets**



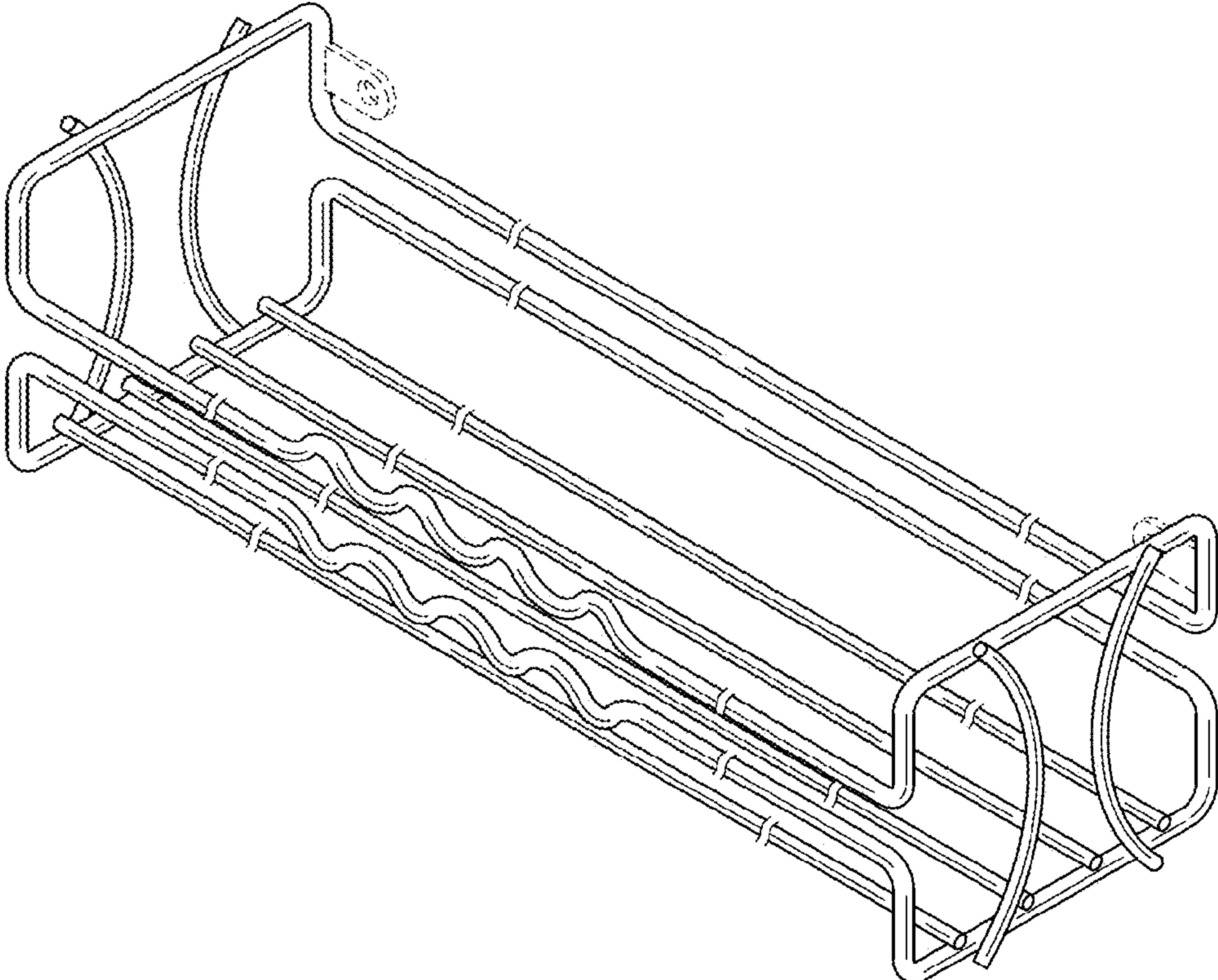


FIG. 1

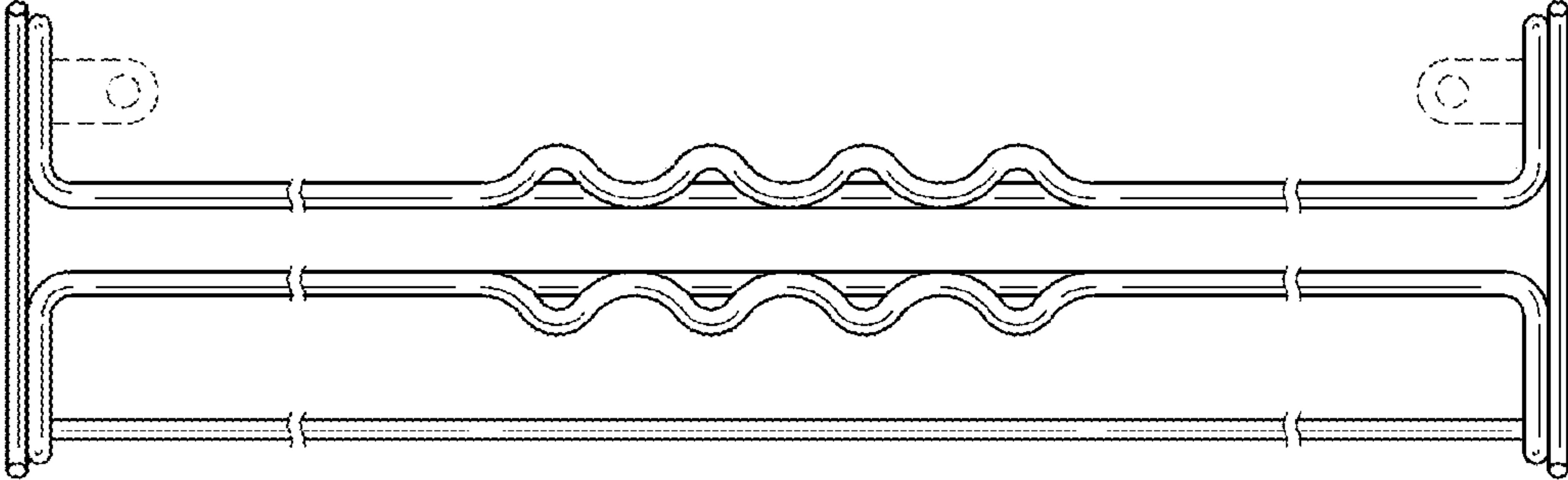


FIG. 2

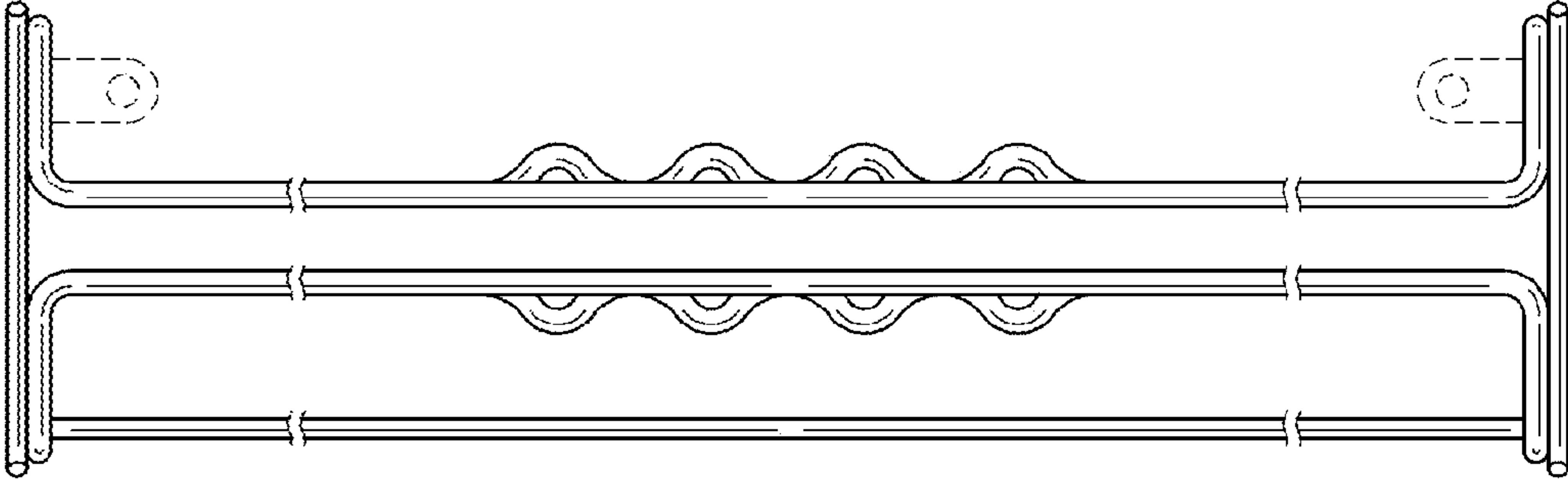


FIG. 3

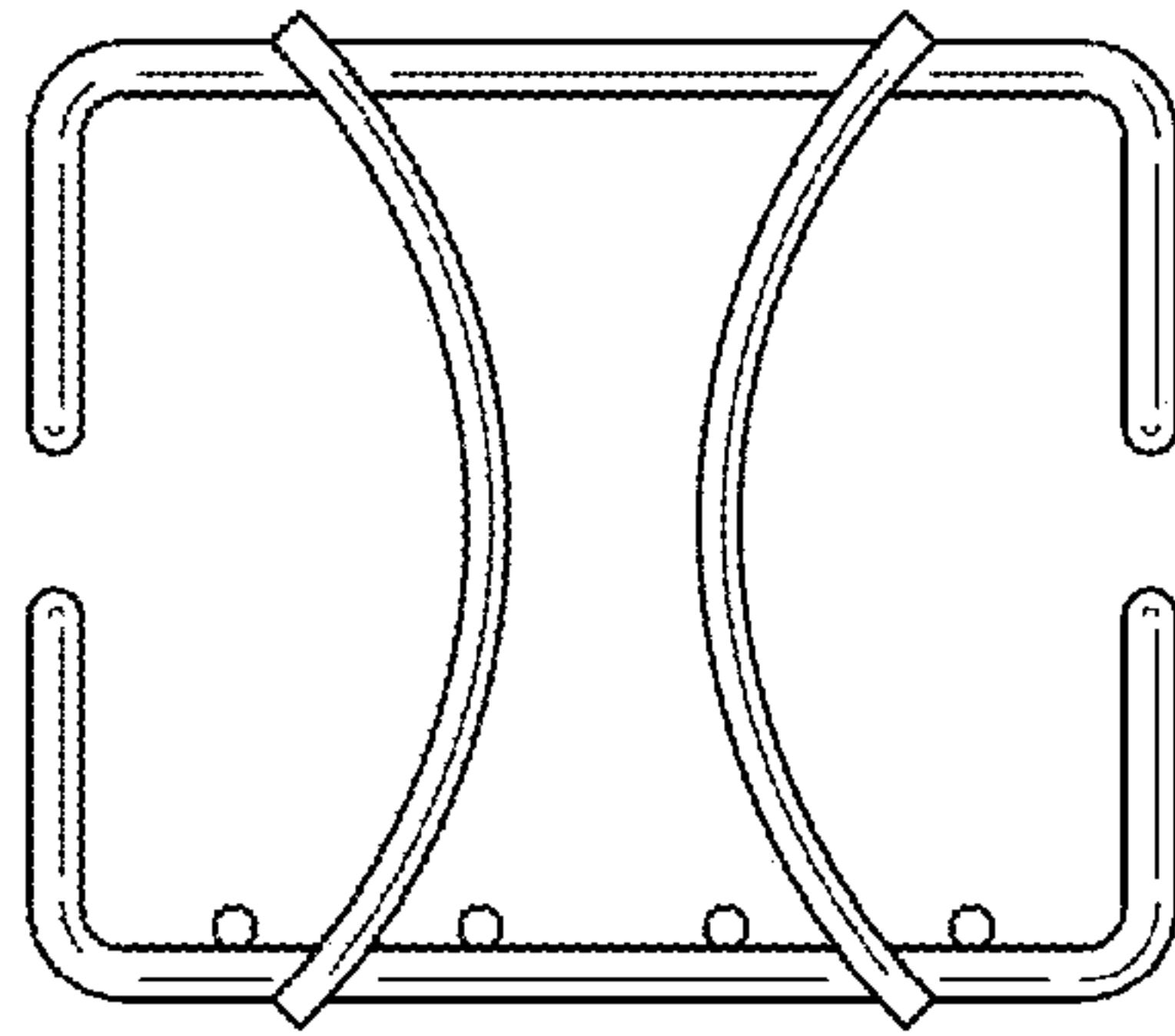


FIG. 4

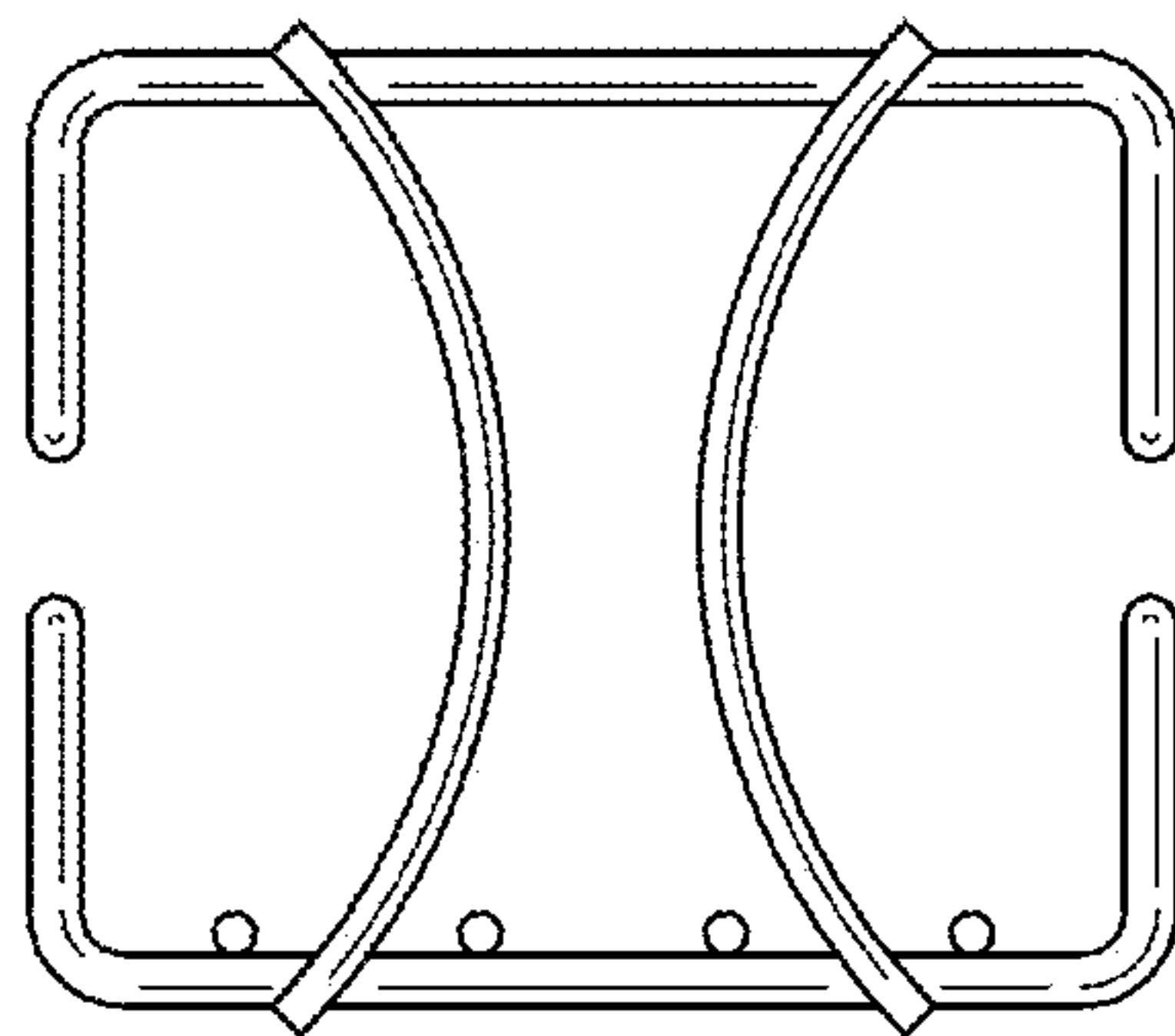


FIG. 5

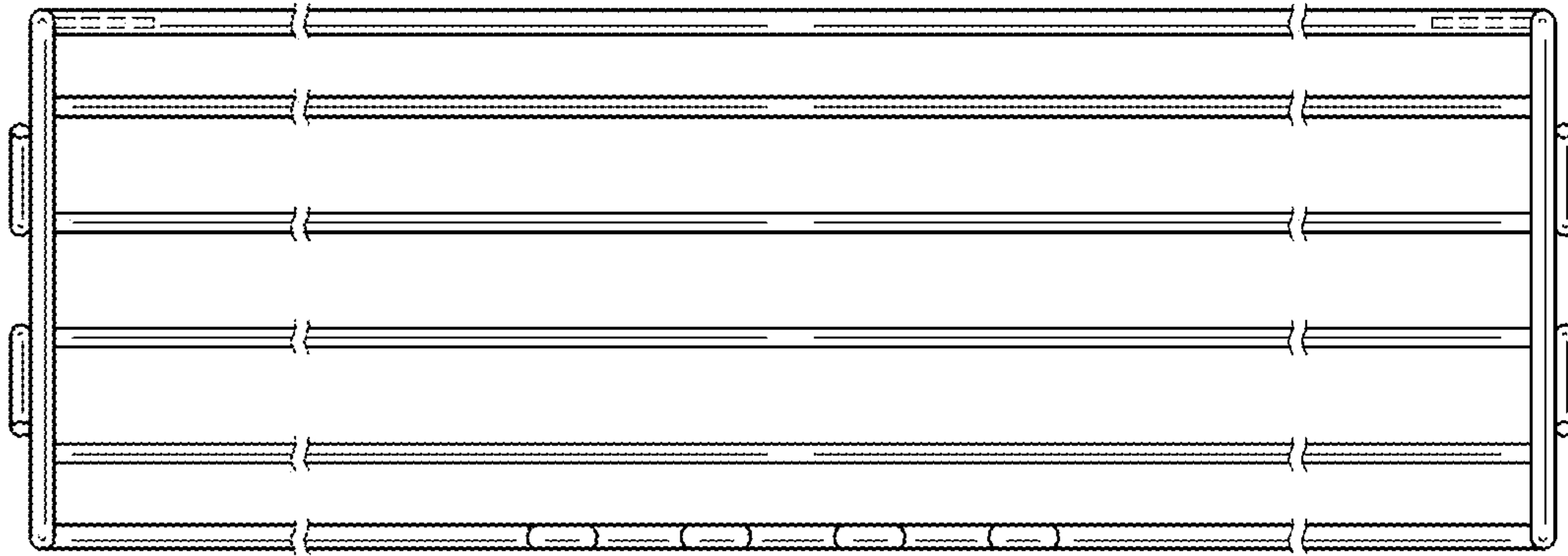


FIG. 6

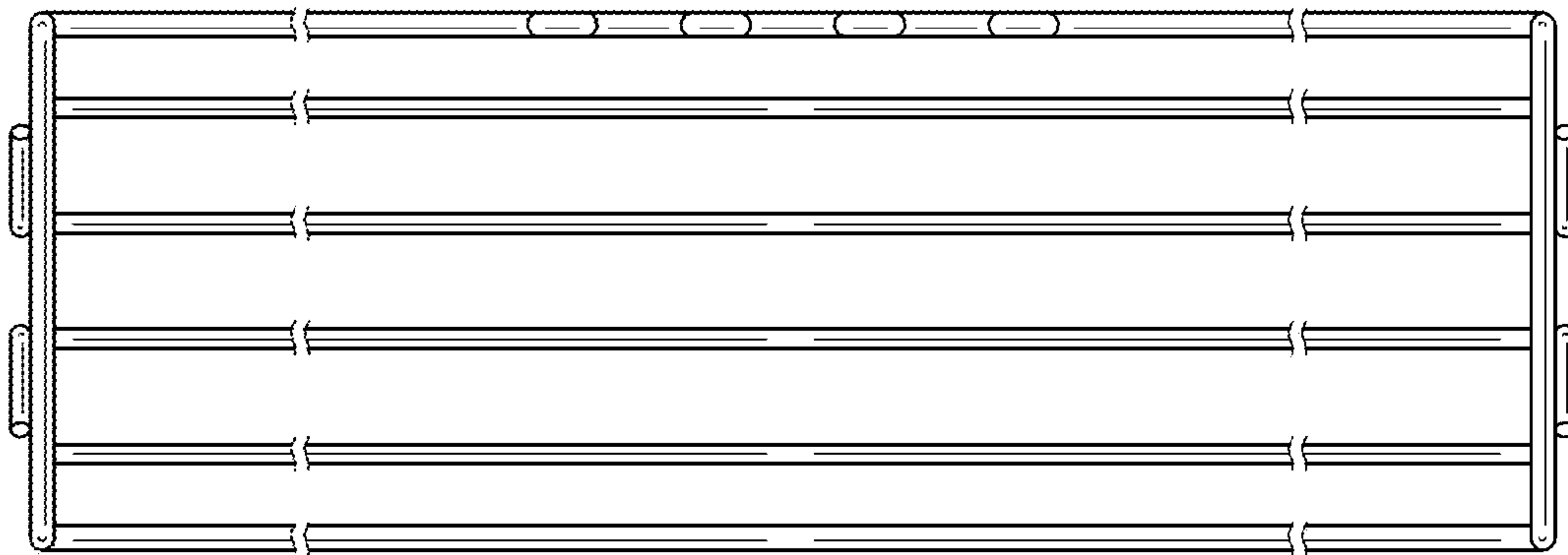


FIG. 7