



US00D772014S

(12) **United States Design Patent** (10) **Patent No.:** **US D772,014 S**  
**Ayres** (45) **Date of Patent:** **\*\* Nov. 22, 2016**

- (54) **WATER BOTTLE**
- (71) Applicant: **Dyln Lifestyle, LLC**, Costa Mesa, CA (US)
- (72) Inventor: **Dorian R Ayres**, Costa Mesa, CA (US)
- (73) Assignee: **DYLN LIFESTYLE, LLC**, Costa Mesa, CA (US)
- (\*\*) Term: **15 Years**
- (21) Appl. No.: **29/539,672**
- (22) Filed: **Sep. 16, 2015**

- D217,585 S \* 5/1970 Lambelet ..... D9/500
- 3,578,415 A \* 5/1971 Hiltz ..... B01J 7/00  
220/739
- D383,677 S 9/1997 Darr
- D412,281 S 7/1999 Lindsay et al.
- D436,501 S 1/2001 Huang
- 7,055,706 B2 6/2006 Kurs
- D531,903 S 11/2006 Haubein
- D576,044 S \* 9/2008 Lamb ..... D9/504
- D582,279 S 12/2008 Darr et al.
- D608,642 S \* 1/2010 Black ..... D9/500
- D622,553 S \* 8/2010 Bollenbacher ..... D7/608
- D626,416 S 11/2010 Cresswell et al.
- D640,559 S 6/2011 Llerena
- D640,561 S 6/2011 Seys

(Continued)

**Related U.S. Application Data**

- (62) Division of application No. 29/448,753, filed on Mar. 13, 2013, now Pat. No. Des. 740,609.
- (51) **LOC (10) Cl.** ..... **07-01**
- (52) **U.S. Cl.**  
USPC ..... **D7/523; D7/507; D7/532; D7/624.2**
- (58) **Field of Classification Search**  
USPC ..... D7/507-512, 523, 529-533, 536, 300,  
D7/300.1, 591, 608, 629, 630, 400, 624.1,  
D7/624.2, 395, 396.2, 393, 396.4, 622;  
D9/500, 501, 502, 522, 556, 567, 569,  
D9/571, 554, 776, 763, 767, 772, 432, 429,  
D9/702, 710, 707; D8/90, 93, 321, 107;  
220/592.16, 592.17, 592.12, 592.14,  
220/592.15, 62.12, 62.13, 669, 751;  
215/387, 18, 42; D3/201, 202, 314;  
D30/127; D5/53, 47, 58, 61, 2, 4  
CPC .. A47G 19/22; A47G 19/2227; A47G 19/02;  
A47G 19/025; A47G 19/2288; Y10S 220/903  
See application file for complete search history.

(56) **References Cited**

**U.S. PATENT DOCUMENTS**

- D58,203 S 6/1921 Anderson
- 2,090,320 A 8/1937 Amick

**FOREIGN PATENT DOCUMENTS**

- KR 2003188810000 7/2003

*Primary Examiner* — Marianne Pandozzi

*Assistant Examiner* — Jae Liang

(74) *Attorney, Agent, or Firm* — Stetina Brunda Garred & Brucker

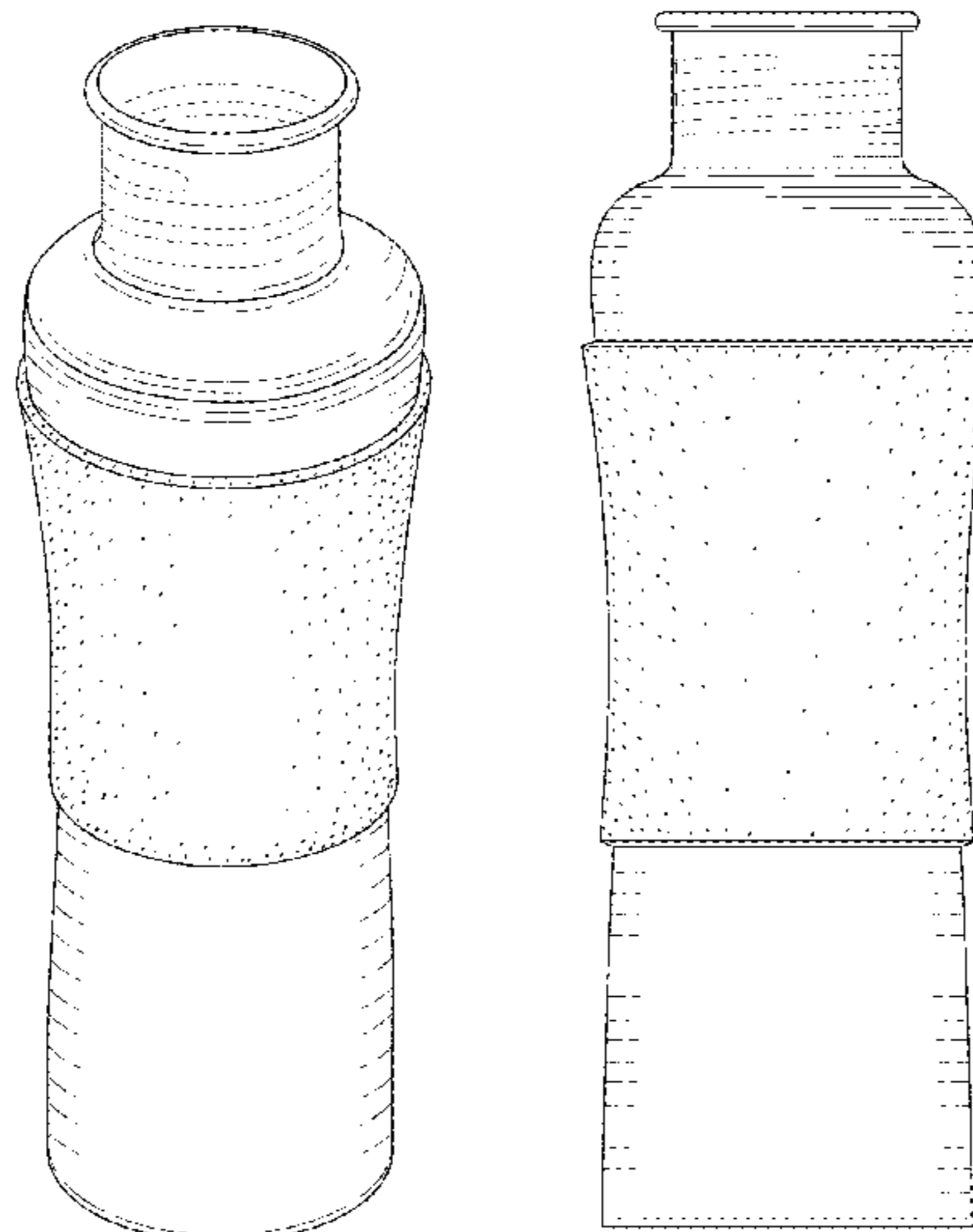
(57) **CLAIM**

The ornamental design for a water bottle, as shown and described.

**DESCRIPTION**

FIG. 1 is a perspective view of a water bottle showing my new design;  
 FIG. 2 is a front view thereof; the rear, left side and right side views being identical;  
 FIG. 3 is a top view thereof; and,  
 FIG. 4 is a bottom view thereof.  
 The broken lines depict portions of the water bottle that form no part of the claim.

**1 Claim, 1 Drawing Sheet**



(56)

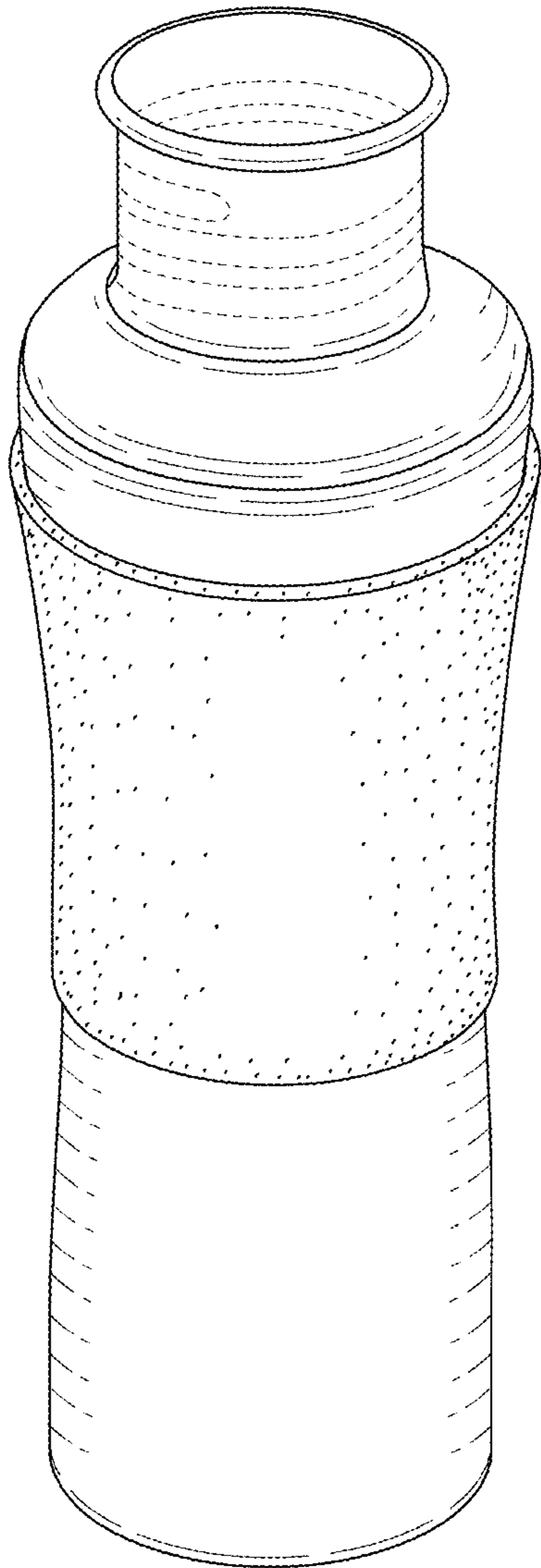
**References Cited**

U.S. PATENT DOCUMENTS

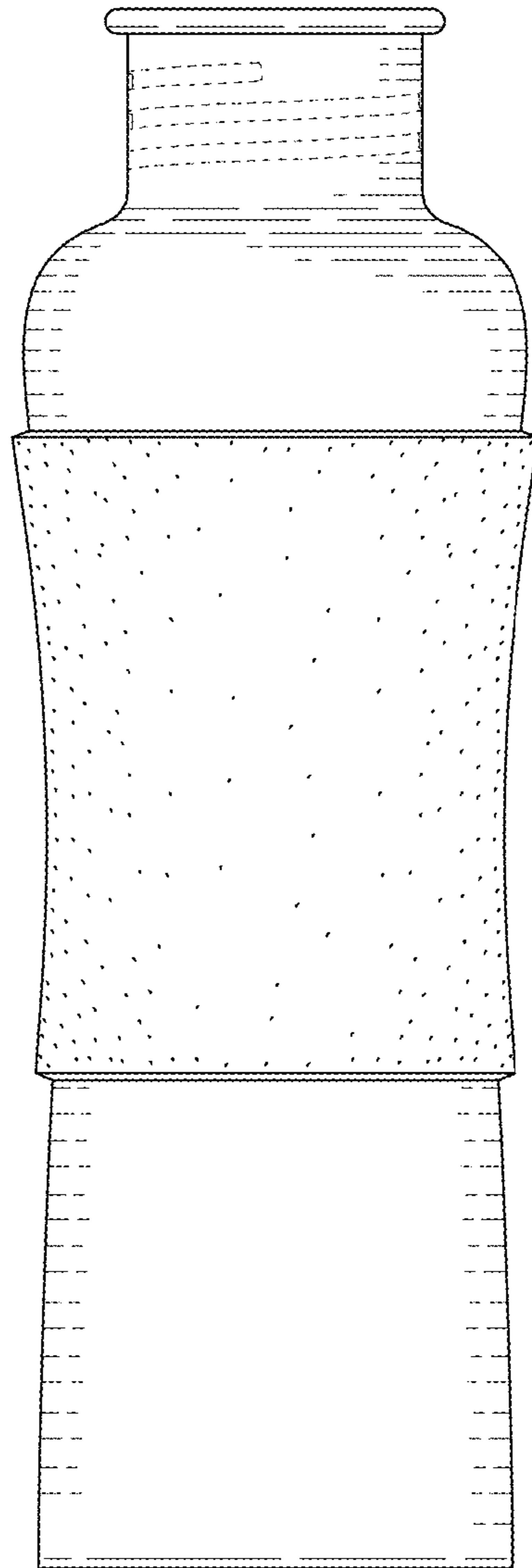
D655,571 S \* 3/2012 Tuttle ..... D7/510  
D656,025 S \* 3/2012 Carreno ..... D7/509  
D658,449 S 5/2012 Ying  
D664,809 S 8/2012 Eyal  
D687,302 S 8/2013 Reynolds  
D699,108 S 2/2014 Cox et al.

D699,516 S \* 2/2014 Kim ..... D7/510  
D699,577 S 2/2014 Rogers et al.  
D700,517 S \* 3/2014 Oommen ..... D9/500  
D703,049 S \* 4/2014 Riley ..... D9/500  
D718,575 S \* 12/2014 Khan ..... D7/509  
D740,609 S \* 10/2015 Ayres ..... D7/523  
D753,442 S \* 4/2016 Weernink ..... D7/507  
2007/0221556 A1 9/2007 Chung

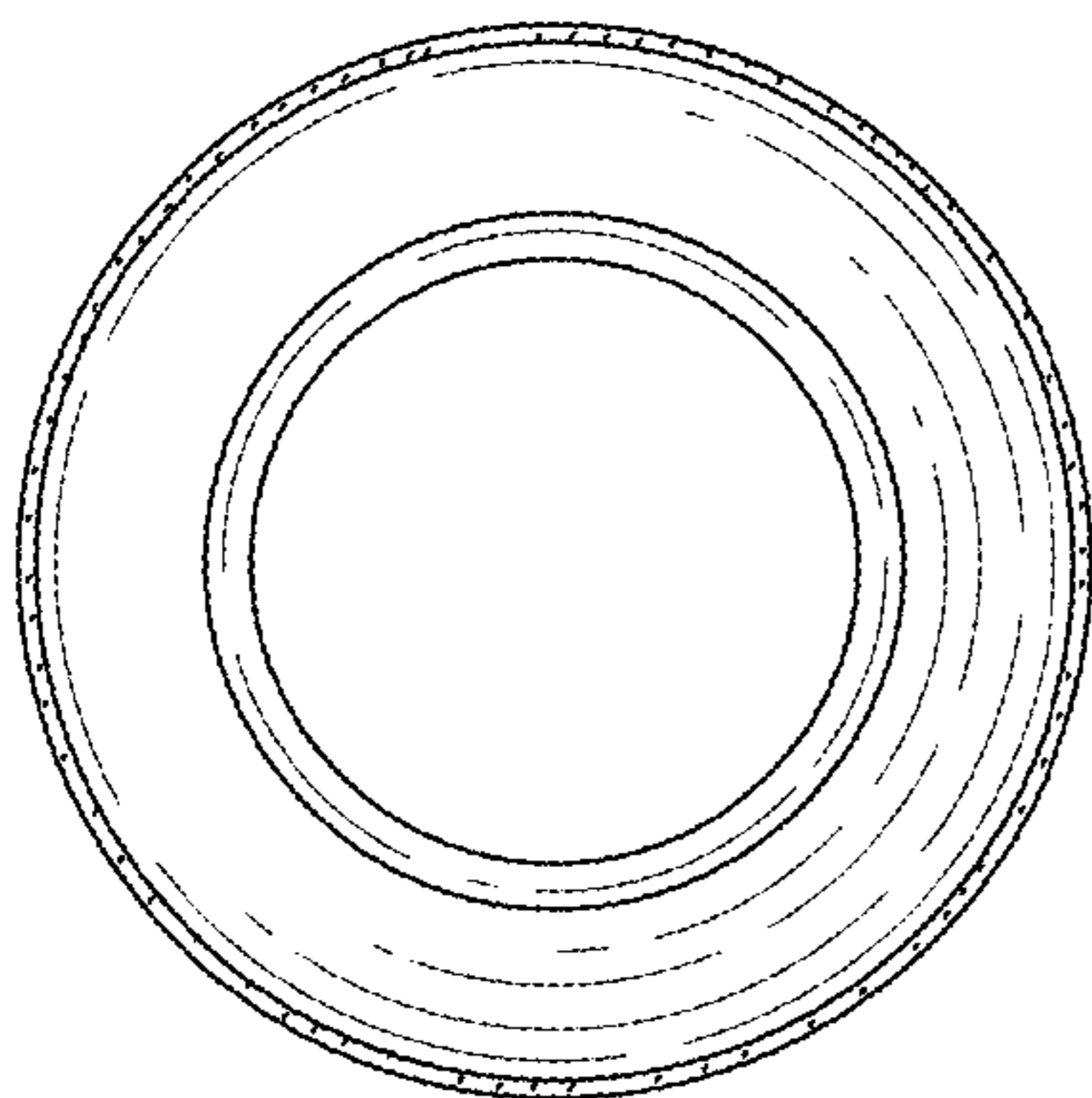
\* cited by examiner



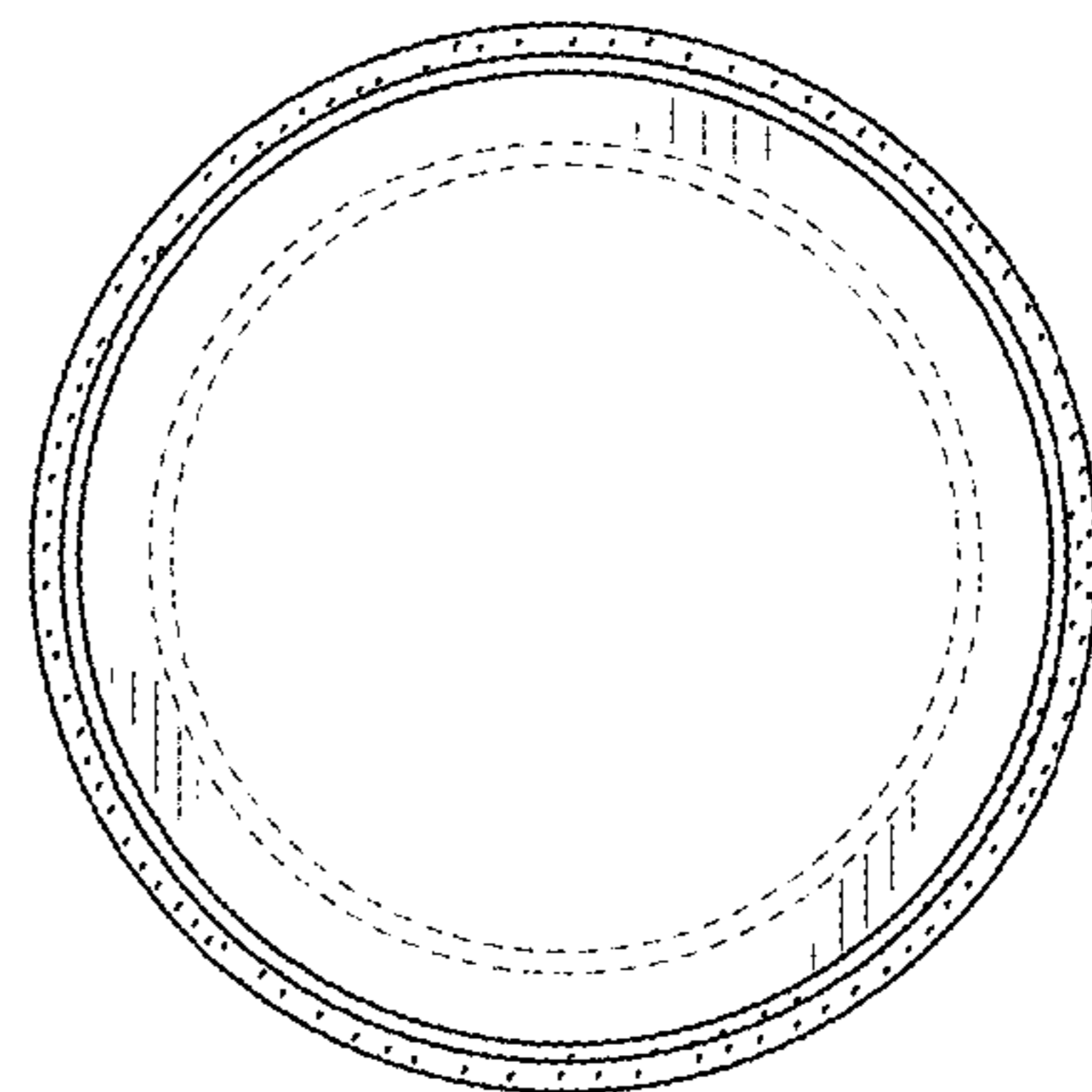
*Fig. 1*



*Fig. 2*



*Fig. 3*



*Fig. 4*