



US00D772013S

(12) **United States Design Patent**
O'Connor

(10) **Patent No.:** **US D772,013 S**

(45) **Date of Patent:** **** Nov. 22, 2016**

- (54) **CUP**
- (71) Applicant: **Reynolds Consumer Products LLC**,
Lake Forest, IL (US)
- (72) Inventor: **John D. O'Connor**, Griffith, IN (US)
- (73) Assignee: **REYNOLDS CONSUMER PRODUCTS LLC**, Lake Forest, IL (US)
- (**) Term: **15 Years**
- (21) Appl. No.: **29/531,974**
- (22) Filed: **Jun. 30, 2015**
- (51) **LOC (10) Cl.** **07-01**
- (52) **U.S. Cl.**
USPC **D7/523; D7/509**
- (58) **Field of Classification Search**
USPC D7/505-511, 523, 529, 530, 532, 543,
D7/550.1, 553.2, 554.3, 592, 396.2, 531,
D7/396.4, 512, 607; D3/205, 202, 901;
D9/715, 719, 721, 739, 517, 690, 682,
D9/691, 748, 516, 553, 775, 773, 429;
D6/542, 534, 535, 512, 513, 514, 515,
D6/524, 527, 528, 530, 531; 206/520, 217;
220/592.16, 592.17, 703; 215/400,
215/403; D28/9, 99, 73; D19/95; D11/144,
D11/153
CPC .. A47G 19/22; A47G 19/2205; B65D 1/265;
B65D 3/06
See application file for complete search history.

- 2,622,415 A * 12/1952 Smith A47G 19/2288
220/592.01
- 2,945,361 A * 7/1960 Miller F25C 1/22
220/592.17
- 3,266,718 A * 8/1966 Stahl B04B 5/0421
215/400
- 3,784,052 A * 1/1974 Edwards B65D 1/265
206/520
- D523,693 S * 6/2006 Bodum D7/509
- D570,158 S * 6/2008 Massi D7/509
- D581,739 S * 12/2008 Bodum D7/509
- D618,964 S * 7/2010 Eisenhardt D7/509
- D622,548 S * 8/2010 Jensen D7/509
- D631,294 S * 1/2011 Ross D7/507
- D655,982 S * 3/2012 Liu D7/509
- D670,836 S * 11/2012 Hisey 26/22
- D688,523 S * 8/2013 Lees D7/510
- D713,690 S * 9/2014 Katterheinrich D7/523
- D714,098 S * 9/2014 Zollweg D7/523
- D724,386 S * 3/2015 Royer D7/523
- D724,897 S * 3/2015 Gieske D7/523

* cited by examiner

Primary Examiner — Marianne Pandozzi

Assistant Examiner — Jae Liang

(74) *Attorney, Agent, or Firm* — Baker Botts L.L.P.

(57) **CLAIM**

The ornamental design for a cup, as shown and described.

DESCRIPTION

FIG. 1 is a top perspective view of a cup showing my new design;

FIG. 2 is a front view thereof;

FIG. 3 is a rear view thereof;

FIG. 4 is a left side view thereof;

FIG. 5 is a right side view thereof;

FIG. 6 is a top view thereof; and,

FIG. 7 is a bottom view thereof.

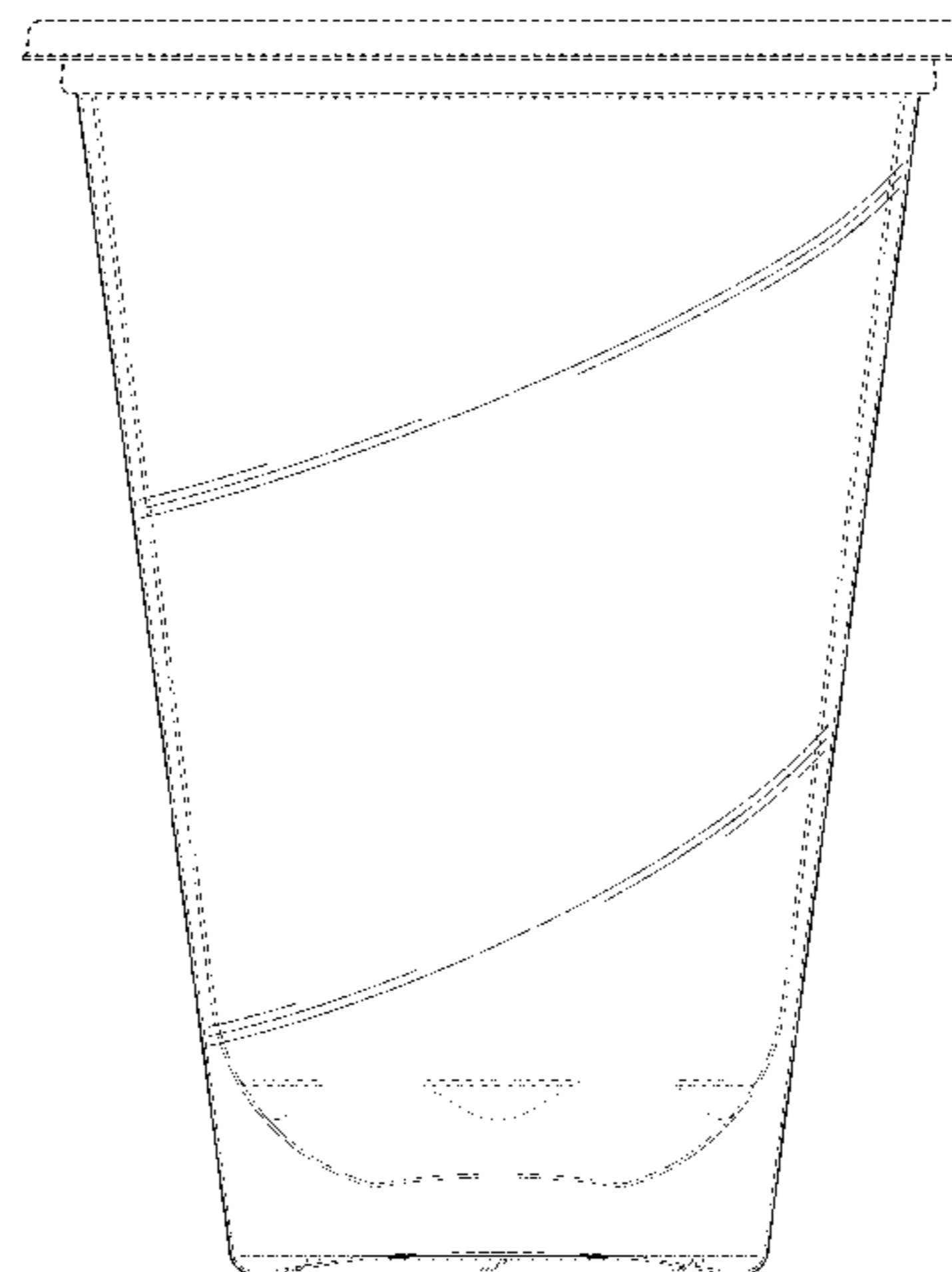
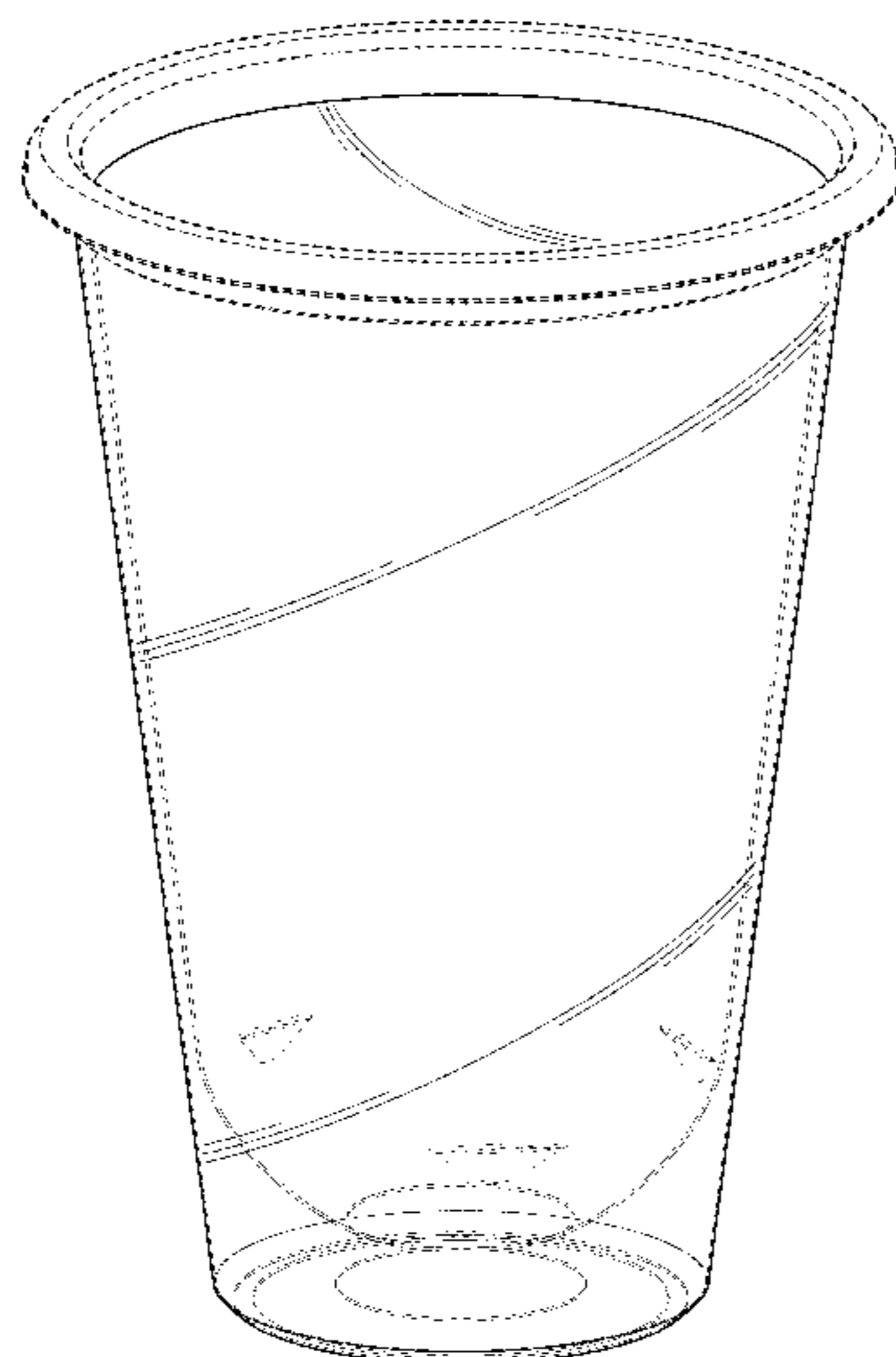
The broken lines are shown to indicate unclaimed portions of the cup and form no part of the claimed design.

1 Claim, 7 Drawing Sheets

(56) **References Cited**

U.S. PATENT DOCUMENTS

- 723,796 A * 3/1903 Williams B65D 81/3869
220/568
- 2,088,181 A * 7/1937 Swift, Jr. B65D 1/265
206/520
- 2,195,240 A * 3/1940 Chaplin B65H 75/10
242/118.32



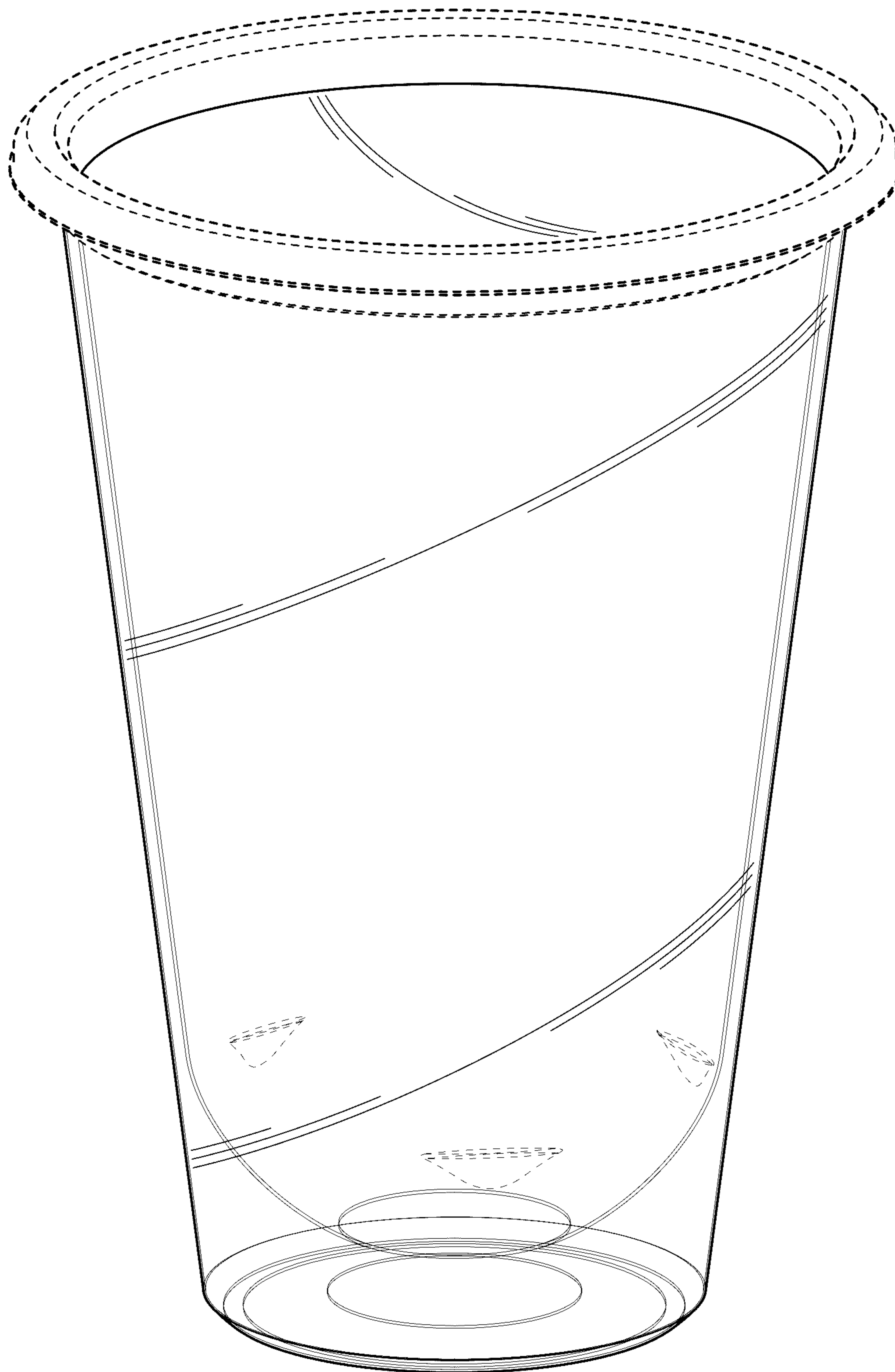


FIG. 1



FIG. 2

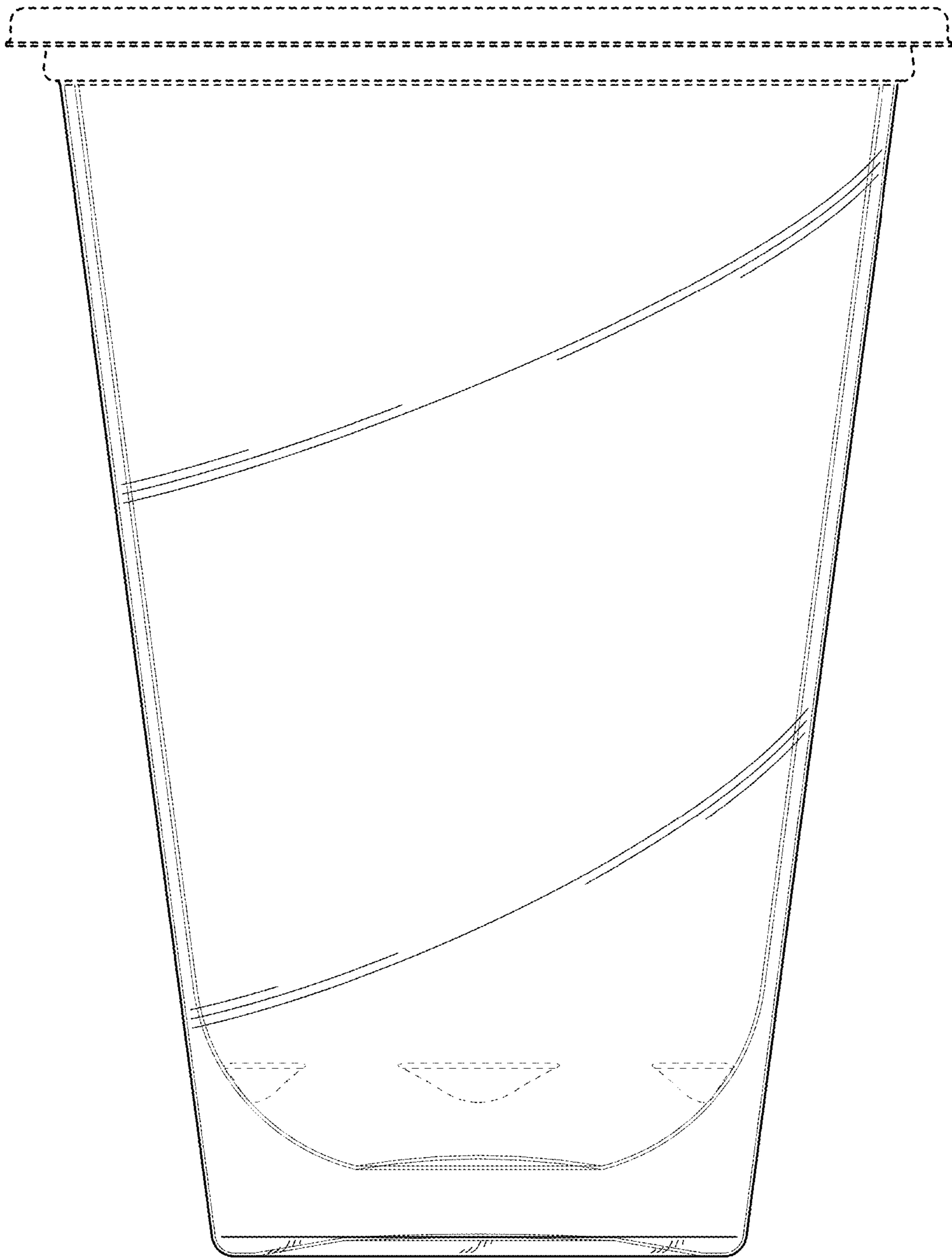


FIG. 3

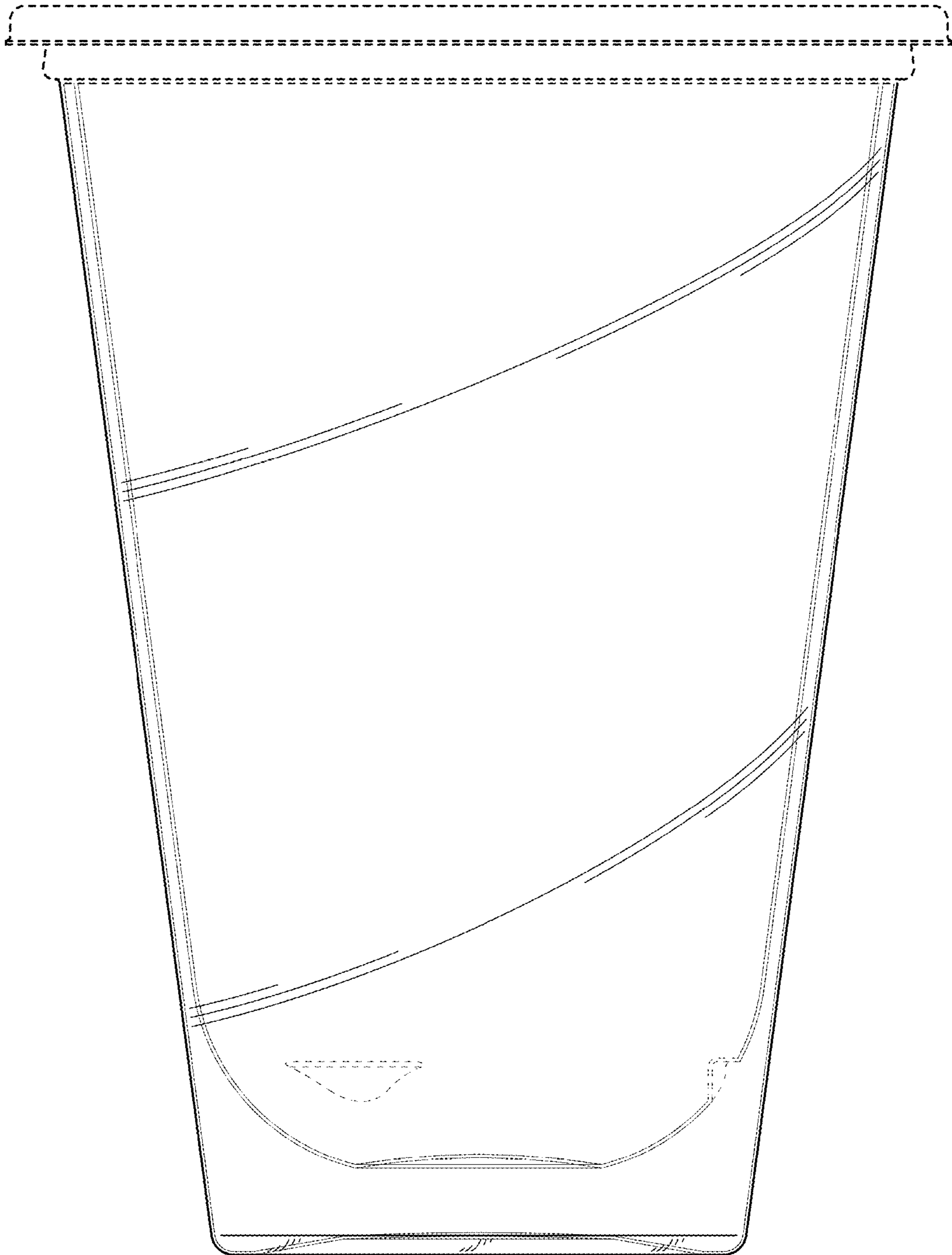


FIG. 4

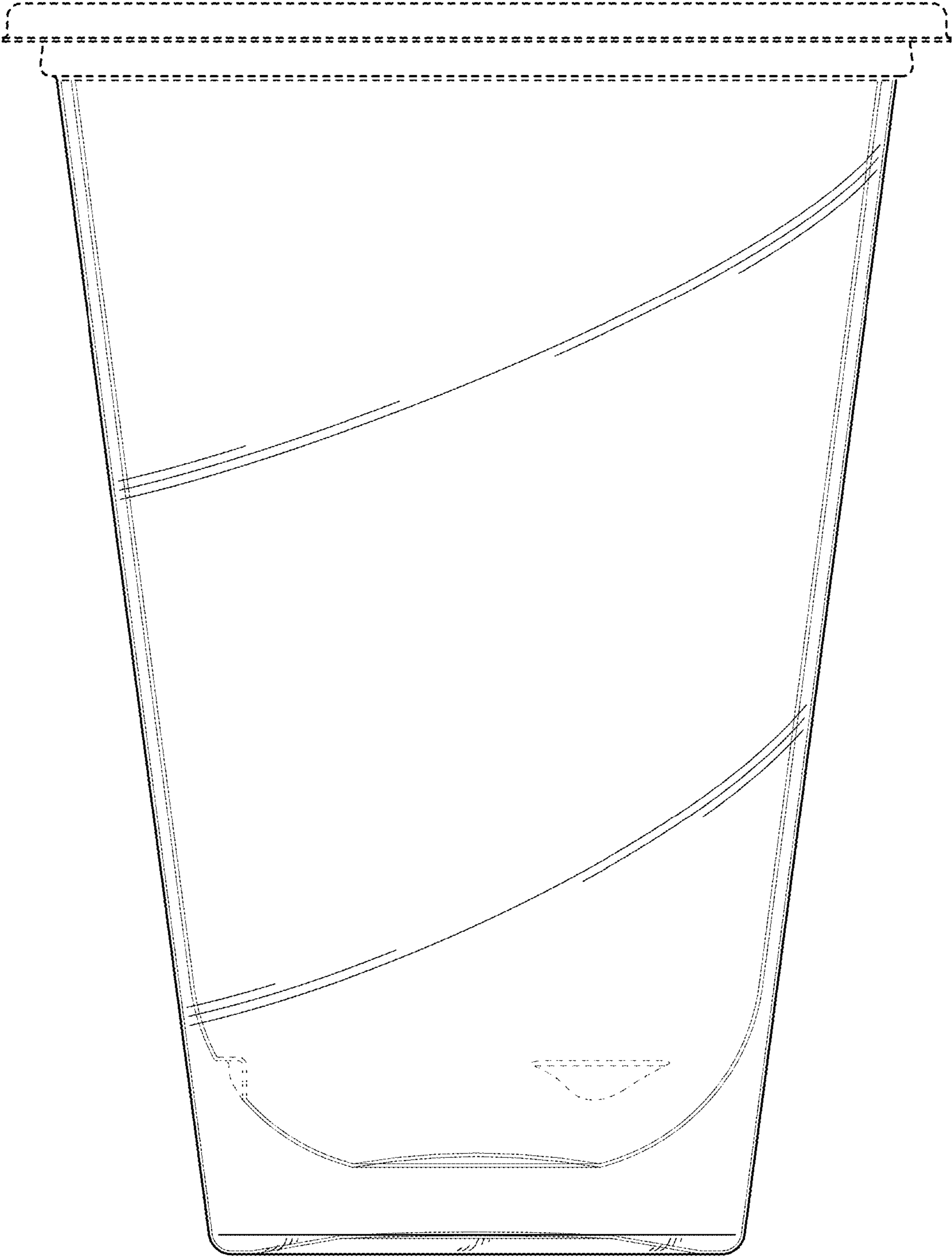


FIG. 5

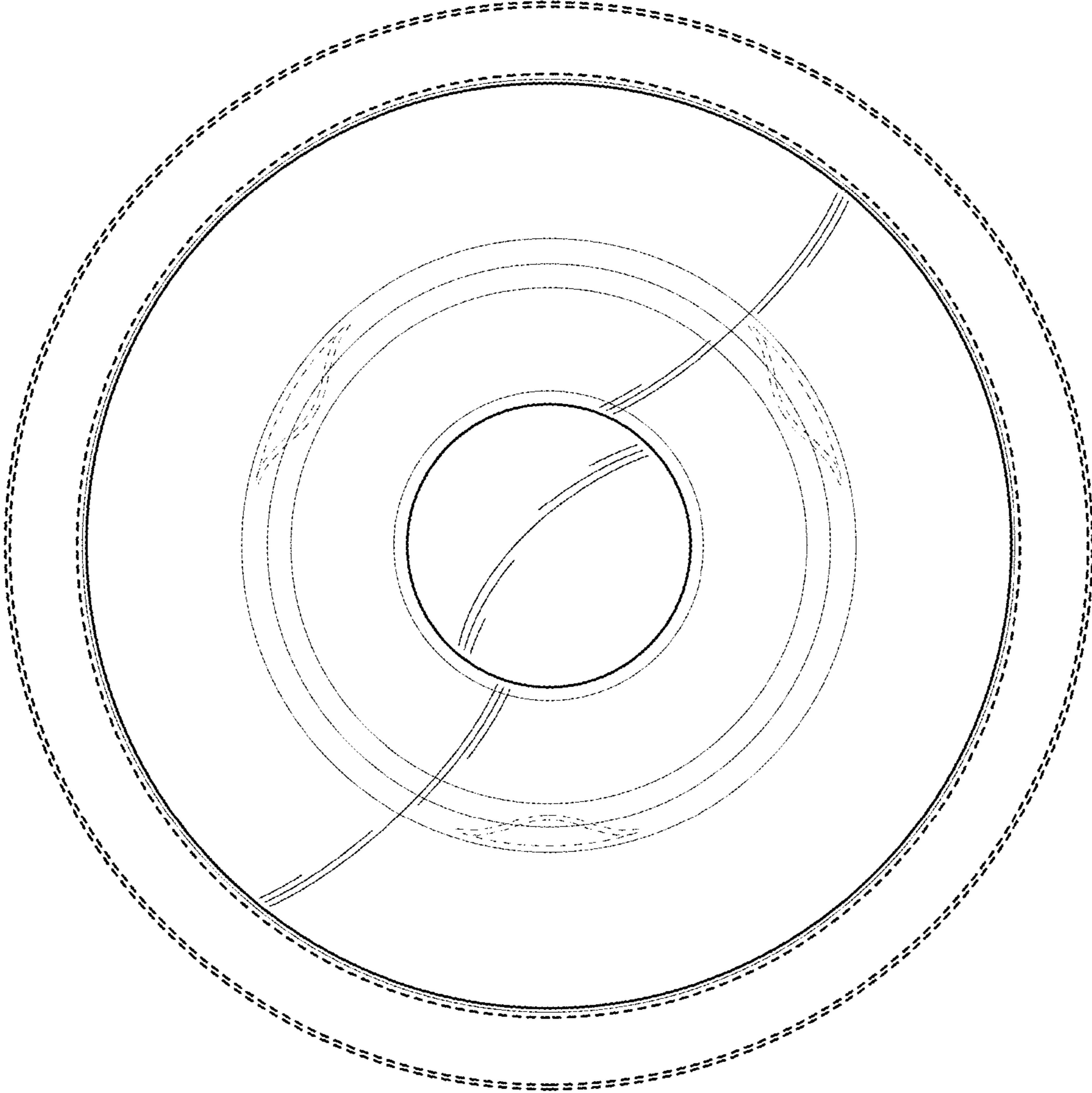


FIG. 6

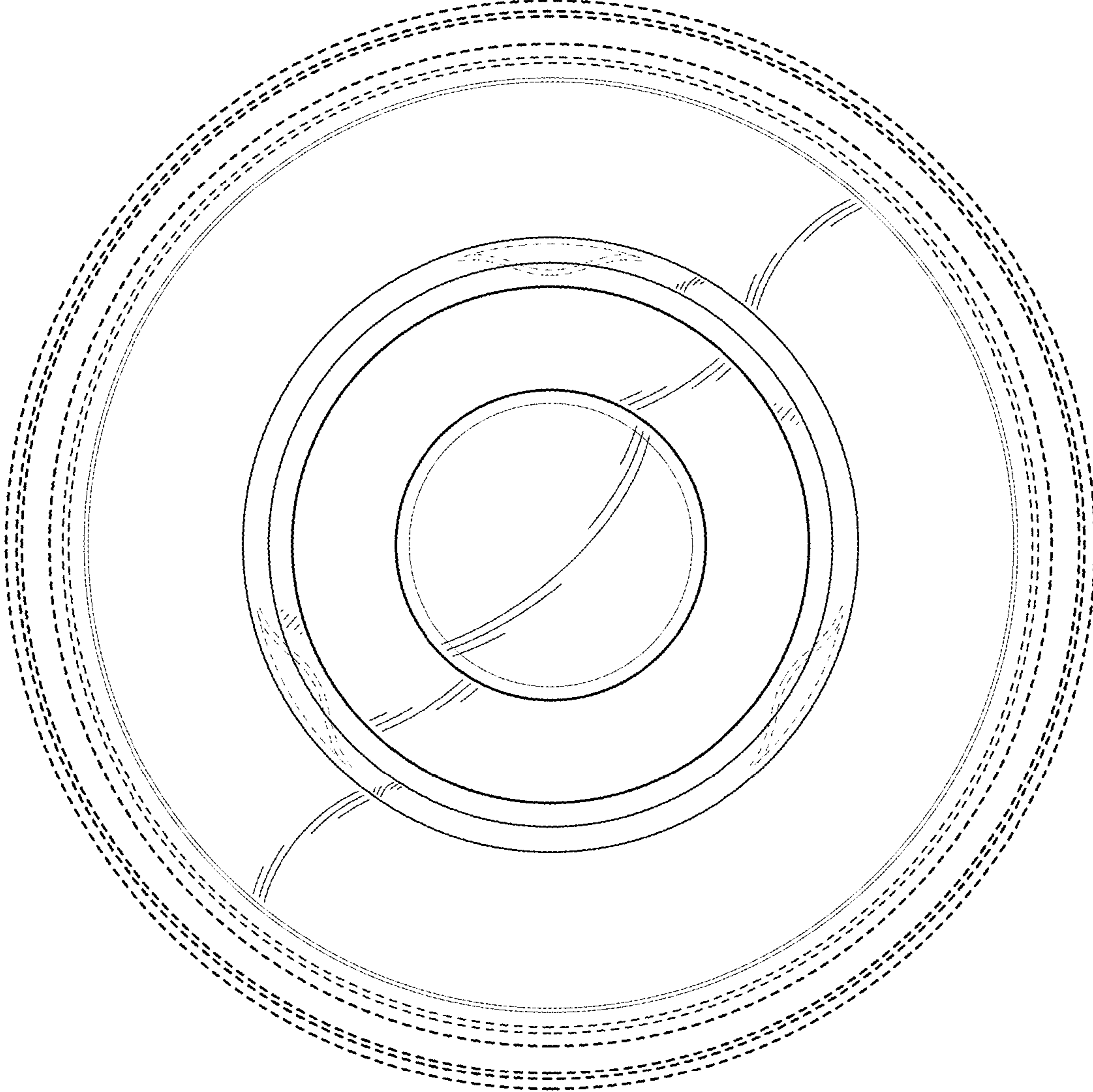


FIG. 7