



US00D772012S

(12) **United States Design Patent**  
**Wampold**

(10) **Patent No.:** **US D772,012 S**

(45) **Date of Patent:** **\*\* Nov. 22, 2016**

(54) **BEVERAGE GLASS**

(71) Applicant: **BIGMOUTH, INC.**, Glastonbury, CT  
(US)

(72) Inventor: **Stephen Wampold**, Glastonbury, CT  
(US)

(73) Assignee: **BIGMOUTH, INC.**, Glastonbury, CT  
(US)

(\*\*) Term: **15 Years**

(21) Appl. No.: **29/540,918**

(22) Filed: **Sep. 29, 2015**

(51) **LOC (10) Cl.** ..... **07-01**

(52) **U.S. Cl.**

USPC ..... **D7/513**; D7/507; D7/536; D7/537

(58) **Field of Classification Search**

USPC ..... D7/509, 524, 525, 526, 527, 528, 533,  
D7/536, 537, 598, 599, 397, 398, 513,  
D7/507; 220/703, 711, 712, 745; 215/374;  
206/426; D11/153

CPC ..... A47G 19/2205; A47G 2400/045;  
A47G 7/07; B65D 85/505

See application file for complete search history.

(56) **References Cited**

**U.S. PATENT DOCUMENTS**

D95,011 S *	4/1935	Bennett	.....	D7/528
D205,368 S *	7/1966	Makara	.....	D7/507
D221,676 S *	8/1971	Ludder	.....	D7/524
4,055,273 A *	10/1977	Jones	.....	A47G 19/2261 215/372
D250,381 S *	11/1978	Lindell	.....	D7/536
D253,571 S *	12/1979	Schreibman	.....	D7/524

D266,725 S *	11/1982	Sarpaneva	.....	D7/537
D298,901 S *	12/1988	Shadyac	.....	D7/536
D302,225 S *	7/1989	Shapard	.....	D26/22
D418,015 S *	12/1999	Santini	.....	D7/513
6,066,021 A *	5/2000	Lee	.....	A47G 19/2227 215/6
D456,215 S *	4/2002	DuBow	.....	D7/509
D609,972 S *	2/2010	Reeser	.....	D7/507
D611,766 S *	3/2010	Reeser	.....	D7/524
D670,135 S *	11/2012	Nolan	.....	D7/524
D704,002 S *	5/2014	Gooris	.....	D7/524
D719,409 S *	12/2014	Wampold	.....	D7/523
D719,785 S *	12/2014	Grcic	.....	D7/536
D746,636 S *	1/2016	Anzalone	.....	D7/503
2004/0149763 A1 *	8/2004	Chen	.....	A47G 19/2205 220/703

\* cited by examiner

*Primary Examiner* — Marianne Pandozzi

*Assistant Examiner* — Jae Liang

(74) *Attorney, Agent, or Firm* — Epstein Drangel LLP;

Robert L. Epstein

(57) **CLAIM**

The ornamental design for a beverage glass, as shown and described.

**DESCRIPTION**

FIG. 1 is a top front perspective view of a beverage glass showing my new design;

FIG. 2 is a front elevational view thereof;

FIG. 3 is a rear elevational view thereof;

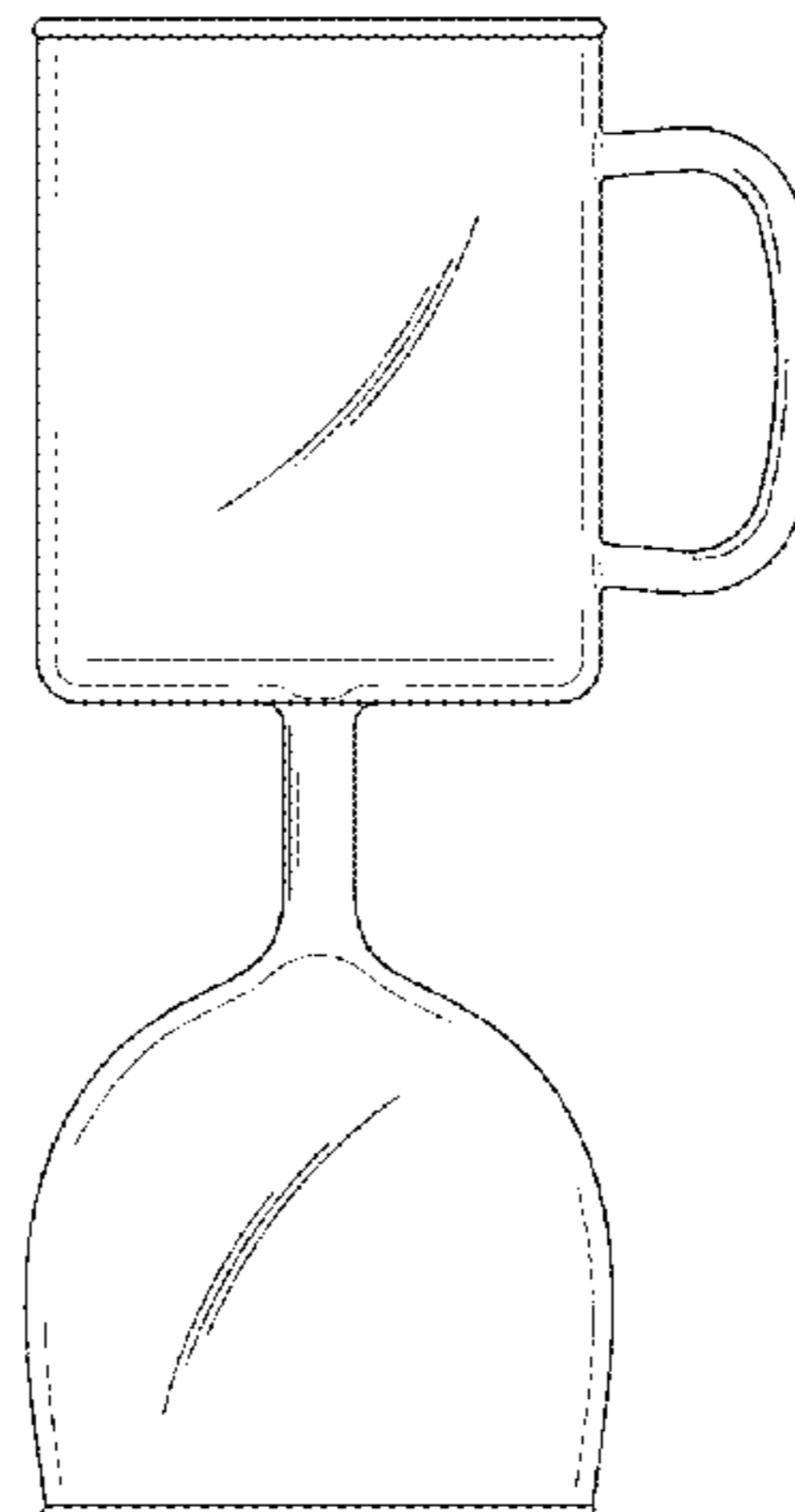
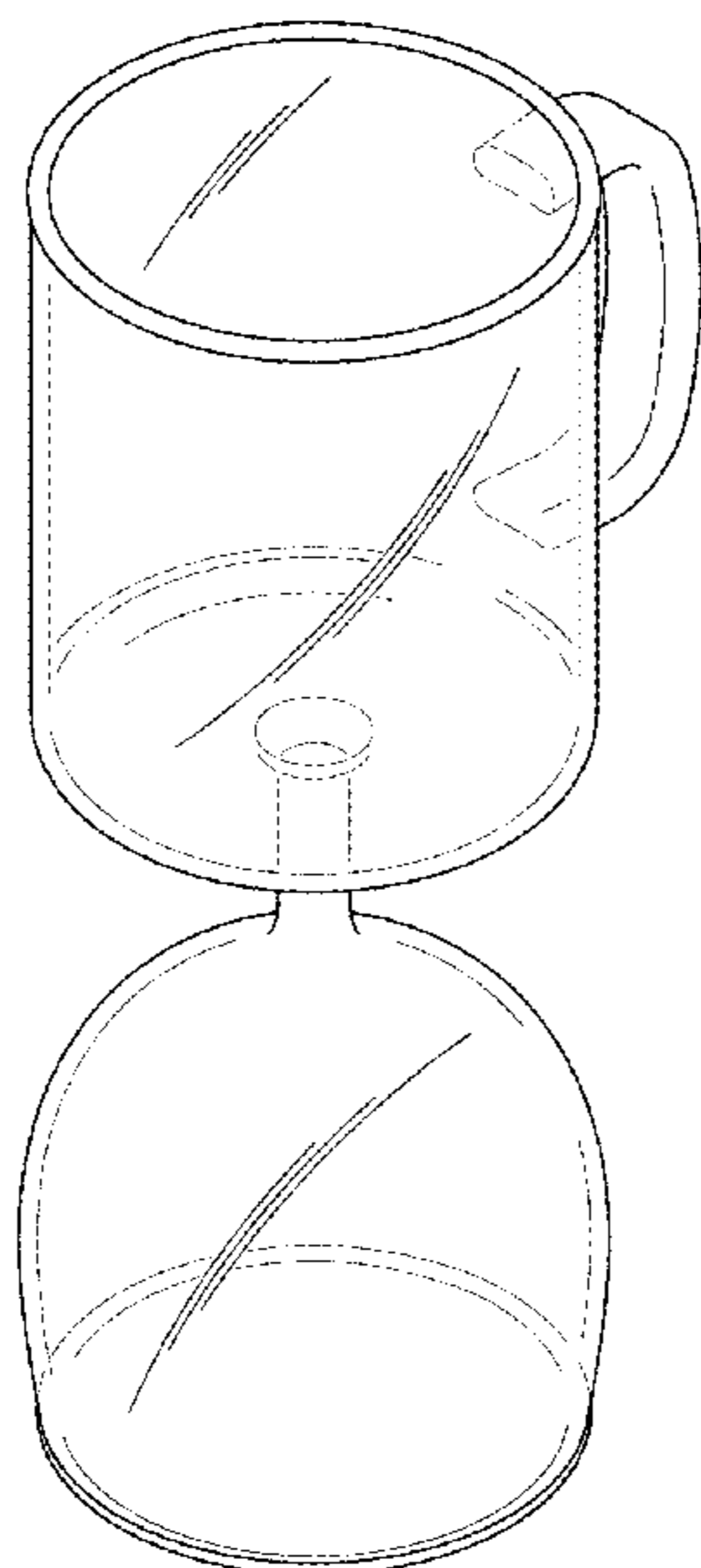
FIG. 4 is a right side elevational view thereof;

FIG. 5 is a left side elevational view thereof;

FIG. 6 is a plan view of the top thereof; and,

FIG. 7 is a plan view of the bottom thereof.

**1 Claim, 4 Drawing Sheets**



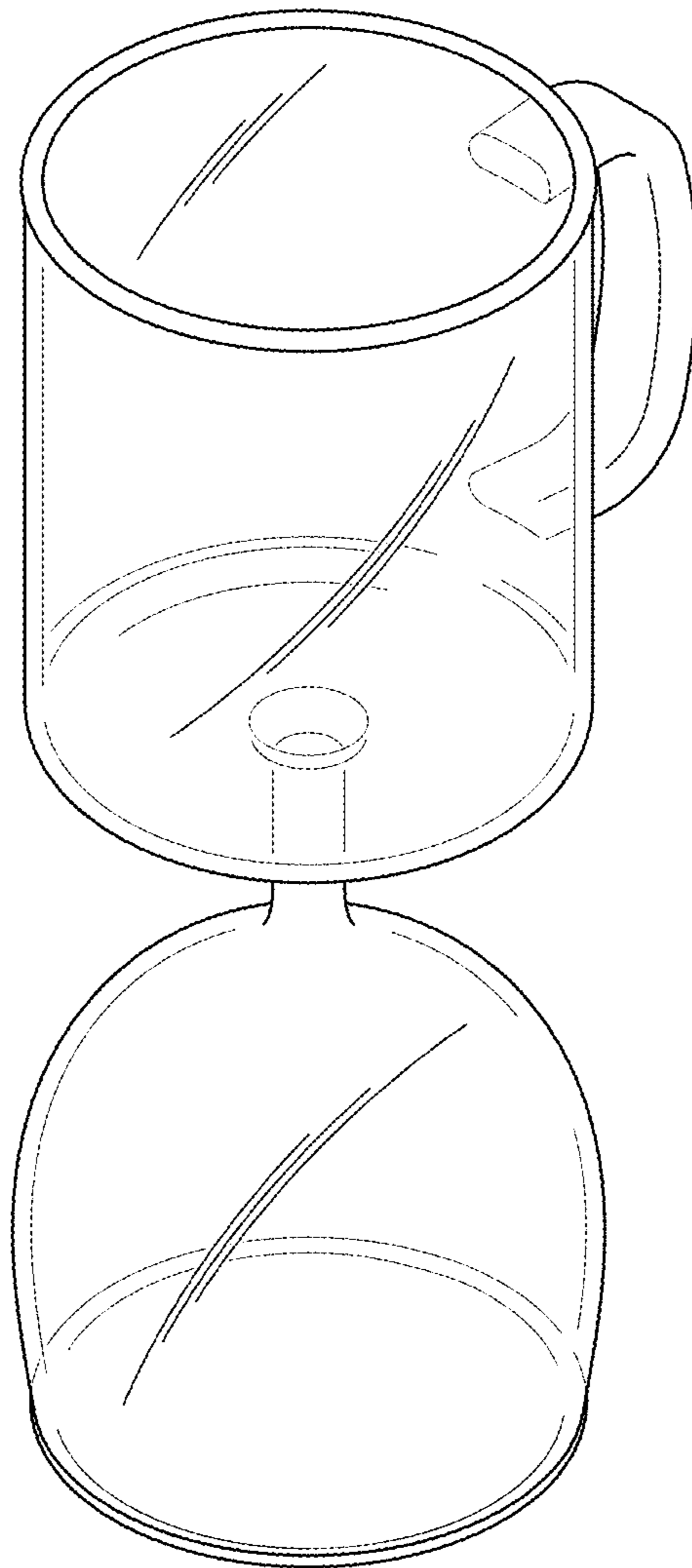


FIG. 1

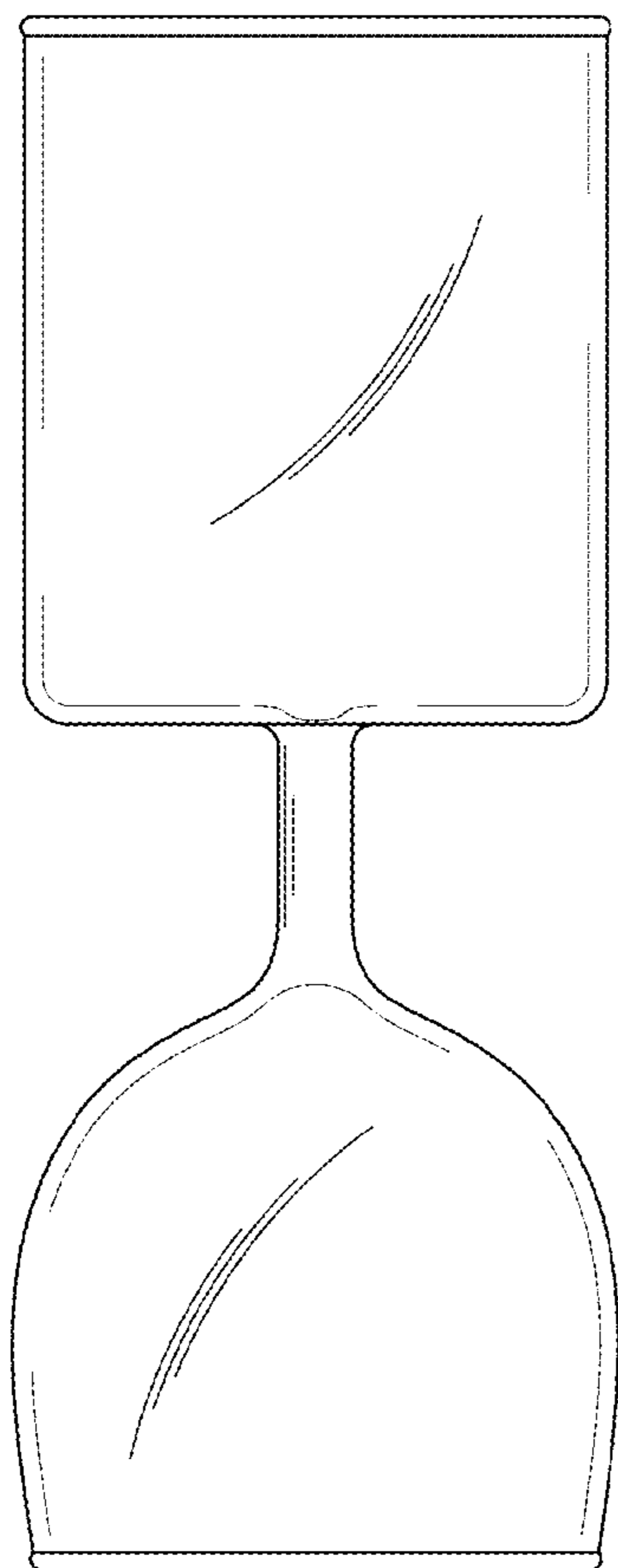


FIG. 2

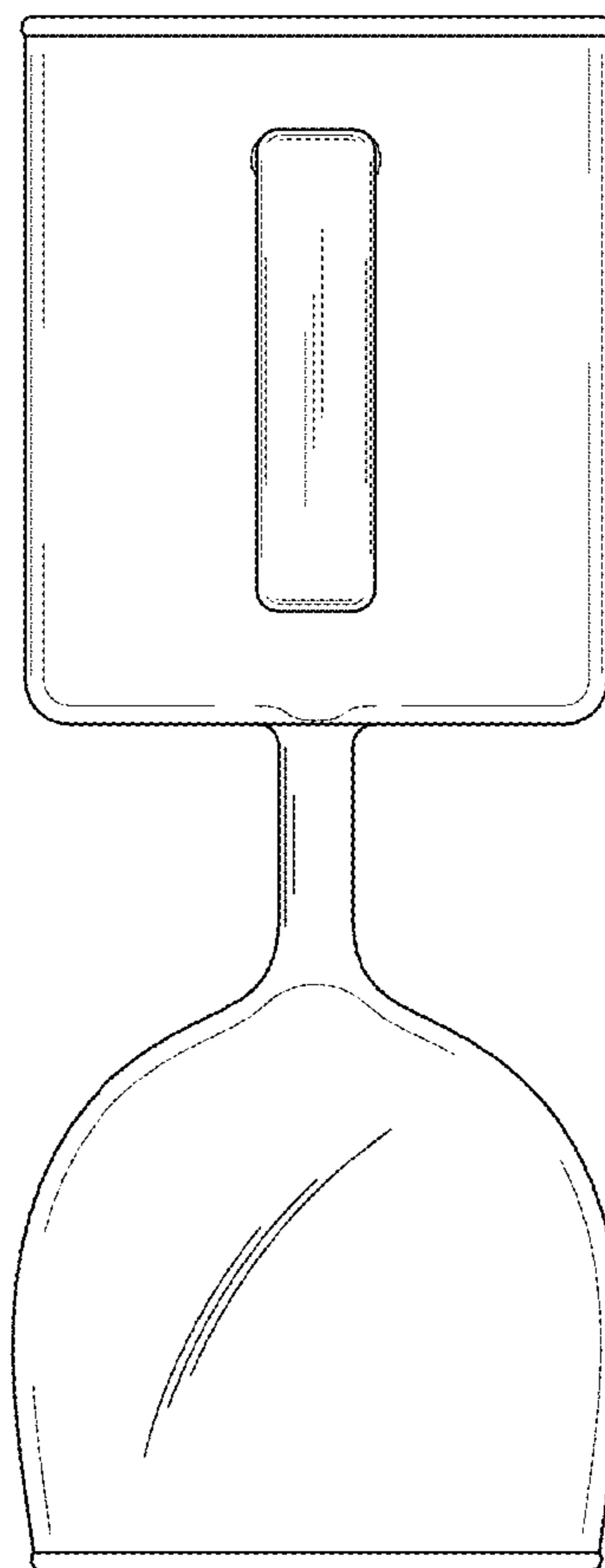


FIG. 3

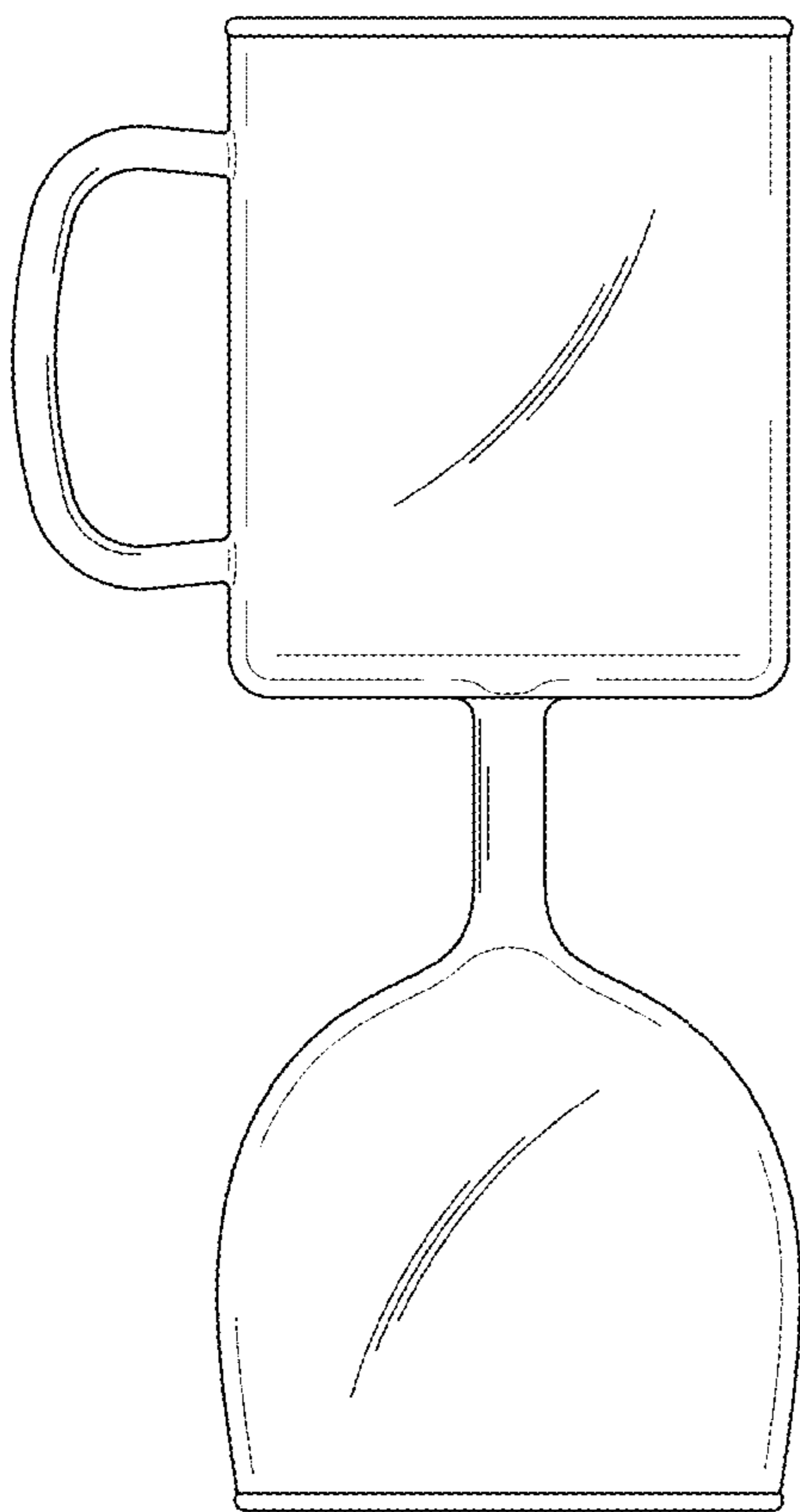


FIG. 4

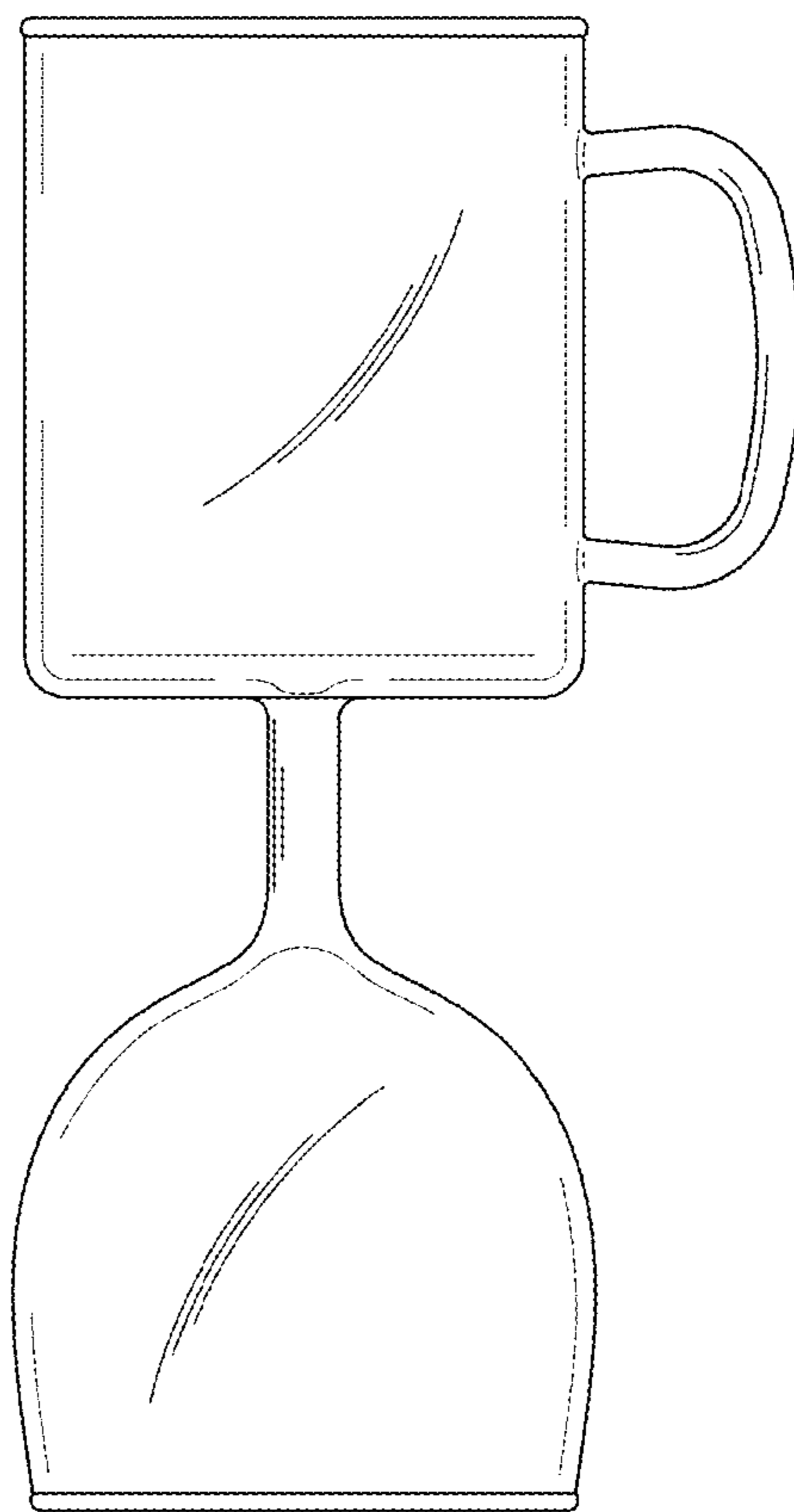


FIG. 5

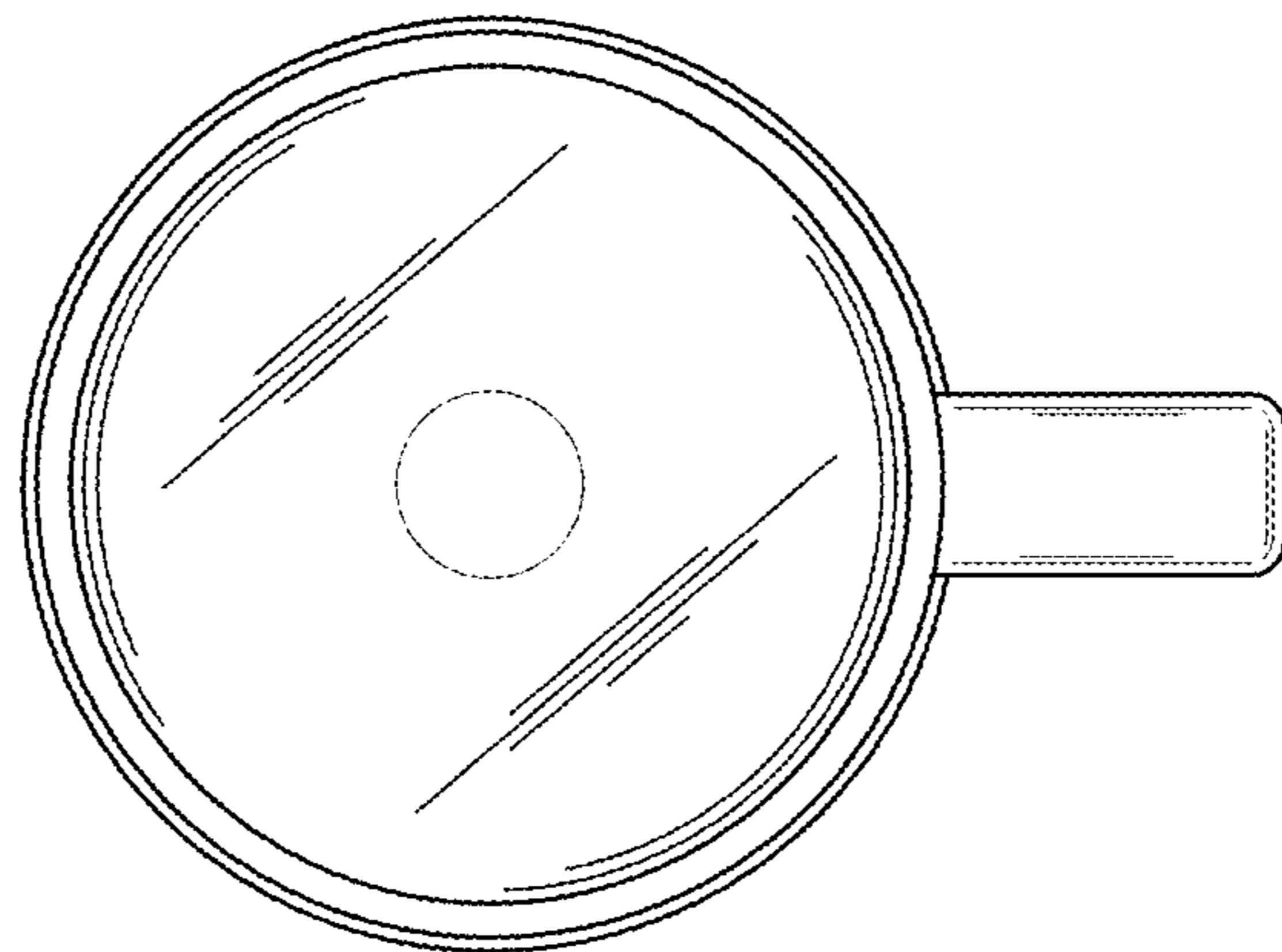


FIG. 6

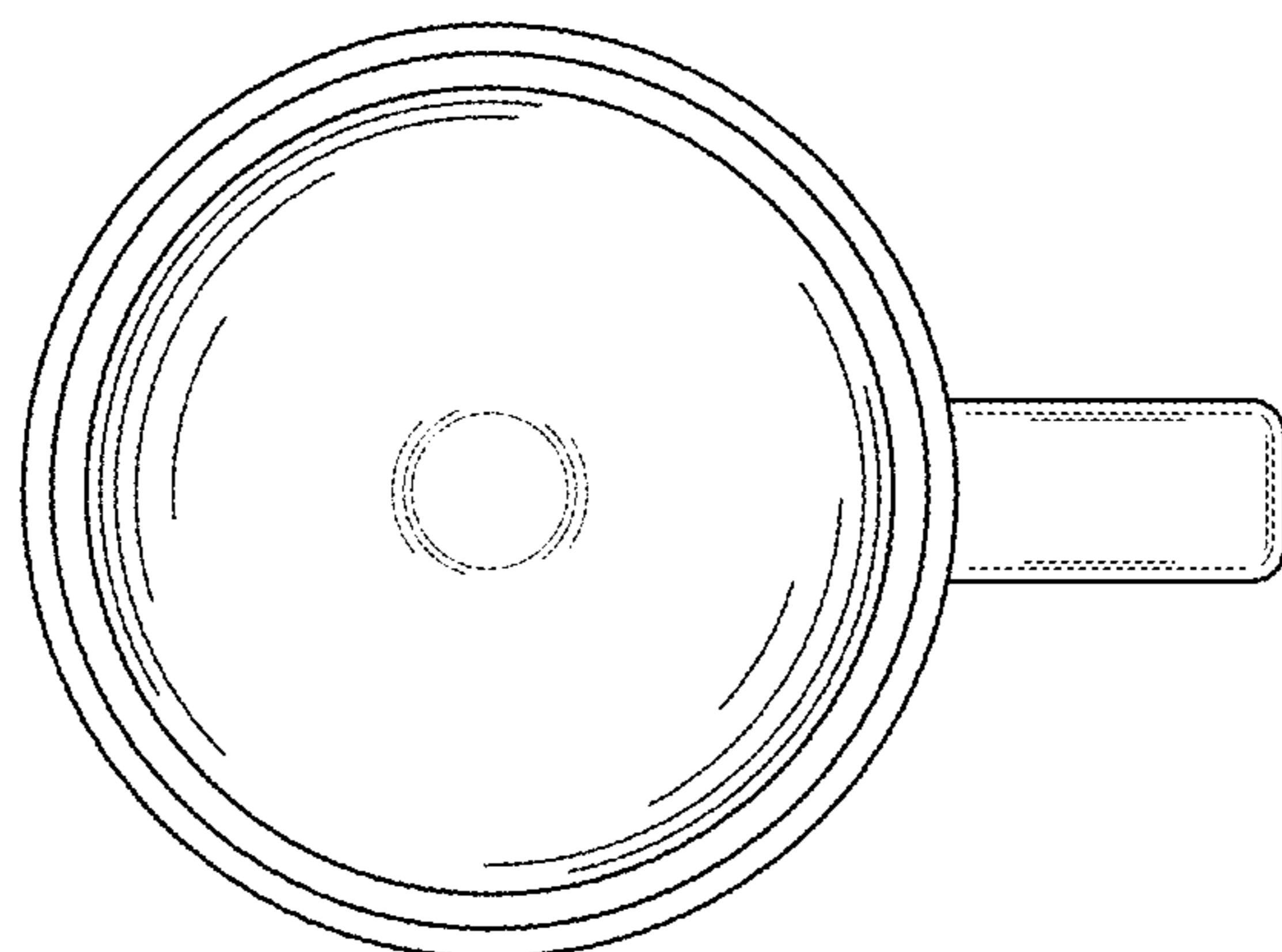


FIG. 7