



US00D772011S

(12) **United States Design Patent**  
**Barquin et al.**

(10) **Patent No.:** **US D772,011 S**

(45) **Date of Patent:** **\*\* Nov. 22, 2016**

- (54) **BLENDER JAR LID**
- (71) Applicant: **Spectrum Brands, Inc.**, Middleton, WI (US)
- (72) Inventors: **Francisco Javier Barquin**, Madison, WI (US); **Daniel Davis Anderson**, Eagan, MN (US)
- (73) Assignee: **Spectrum Brands, Inc.**, Middleton, WI (US)
- (\*\*) Term: **15 Years**
- (21) Appl. No.: **29/537,145**

D512,265 S *	12/2005	McCurrach .....	D7/378
D525,482 S *	7/2006	Kassenaar .....	D7/378
D526,531 S	8/2006	Drees et al.	
D533,395 S	12/2006	Drees et al.	
D543,072 S *	5/2007	Ting .....	D7/378
D563,164 S *	3/2008	Sands .....	D7/413
D568,096 S *	5/2008	Sun .....	D7/378
D577,537 S	9/2008	Lee	
D597,372 S	8/2009	Nordwall et al.	
D597,790 S	8/2009	Nordwall et al.	
7,581,688 B2 *	9/2009	Mally .....	A47J 43/042 241/30
D617,136 S *	6/2010	Bock .....	D7/378
D660,642 S	5/2012	Boozer et al.	
D660,643 S	5/2012	Boozer et al.	
D661,947 S	6/2012	Conti et al.	
D694,573 S	12/2013	Norland et al.	
D694,574 S	12/2013	Norland et al.	

(Continued)

- (22) Filed: **Aug. 21, 2015**
- (51) **LOC (10) Cl.** ..... **31-00**
- (52) **U.S. Cl.**  
USPC ..... **D7/413; D7/376; D7/378; D7/386;**  
D7/412

**FOREIGN PATENT DOCUMENTS**

CA	128072 S	5/2009
CA	128074 S	5/2009

*Primary Examiner* — Ricky Pham

(74) *Attorney, Agent, or Firm* — Banner & Witcoff, Ltd.

- (58) **Field of Classification Search**  
USPC ..... D7/372, 376–386, 412–413, 602, 629,  
D7/665–666, 669, 679, 693–694  
CPC ..... A21C 1/02; A21C 1/04; A23N 1/00;  
A23N 1/02; A47J 43/04; A47J 43/25; A47J  
43/27; A47J 43/042; A47J 43/044; A47J  
43/046; A47J 43/075; A47J 43/0722; A47J  
43/0727; B01F 3/00; B01F 3/0807; B01F  
3/0853; B01F 13/0059; B01F 13/0064;  
B02C 1/08; B02C 2/04; B02C 4/42; B02C  
4/142; B02C 4/143; B02C 4/423; B02C  
13/1835; B28C 5/10; B28C 5/12; B28C  
5/14; B28C 5/16

See application file for complete search history.

(57) **CLAIM**

The ornamental design for a blender jar lid, as shown and described.

**DESCRIPTION**

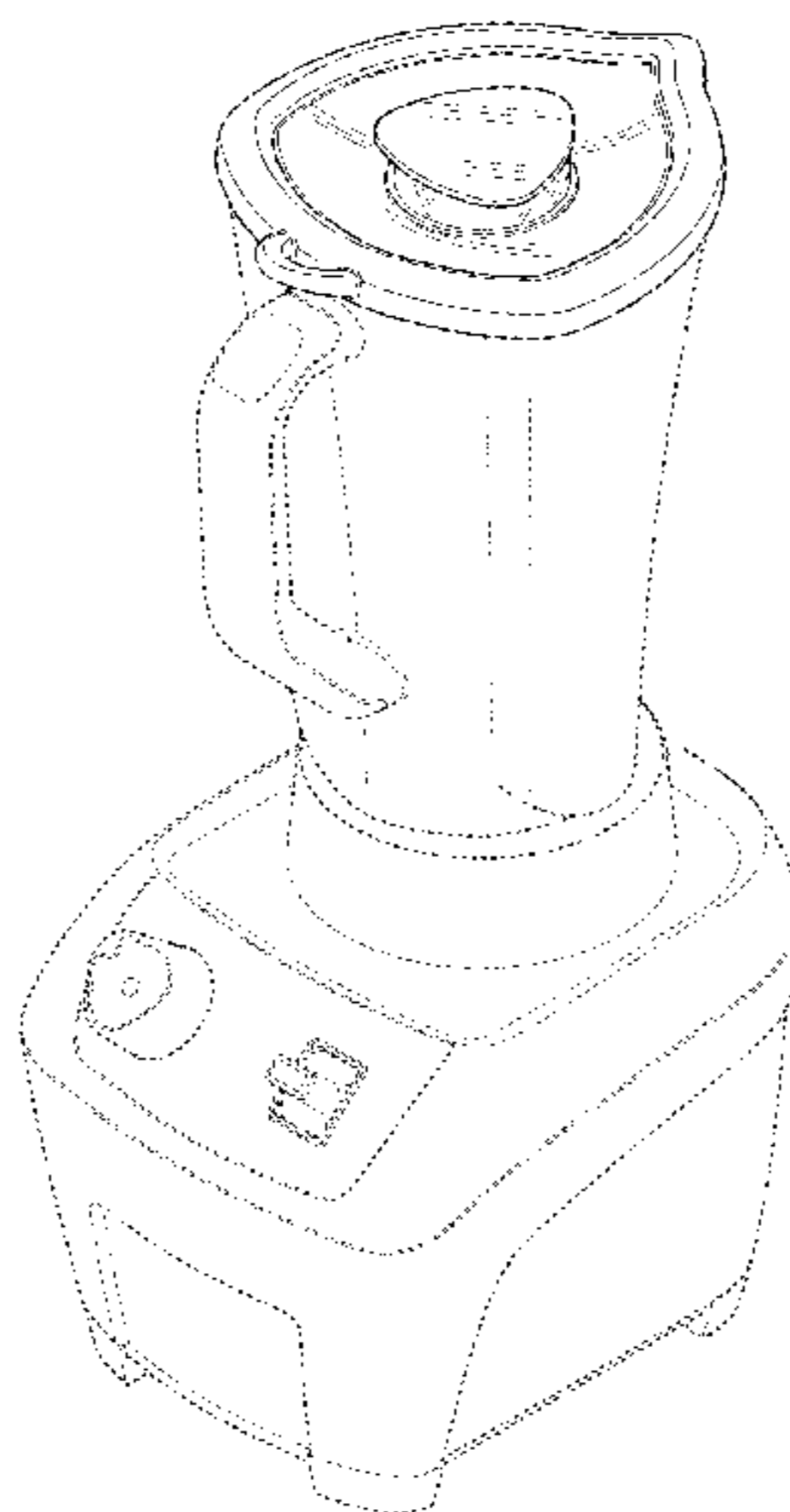
FIG. 1 is a front perspective view of a blender jar lid showing our new design;  
 FIG. 2 is a left side view thereof;  
 FIG. 3 is a right side view thereof;  
 FIG. 4 is a front view thereof;  
 FIG. 5 is a top view thereof; and,  
 FIG. 6 is a rear view thereof.

The broken line showing of the blender jar and blender base is for environmental purposes only and forms no part of the claimed design.

- (56) **References Cited**  
U.S. PATENT DOCUMENTS

D220,416 S *	4/1971	Folden .....	D7/413
D386,355 S *	11/1997	Davidson .....	D7/378
D499,602 S *	12/2004	Feil .....	D7/378

**1 Claim, 6 Drawing Sheets**



# US D772,011 S

Page 2

---

(56)

## References Cited

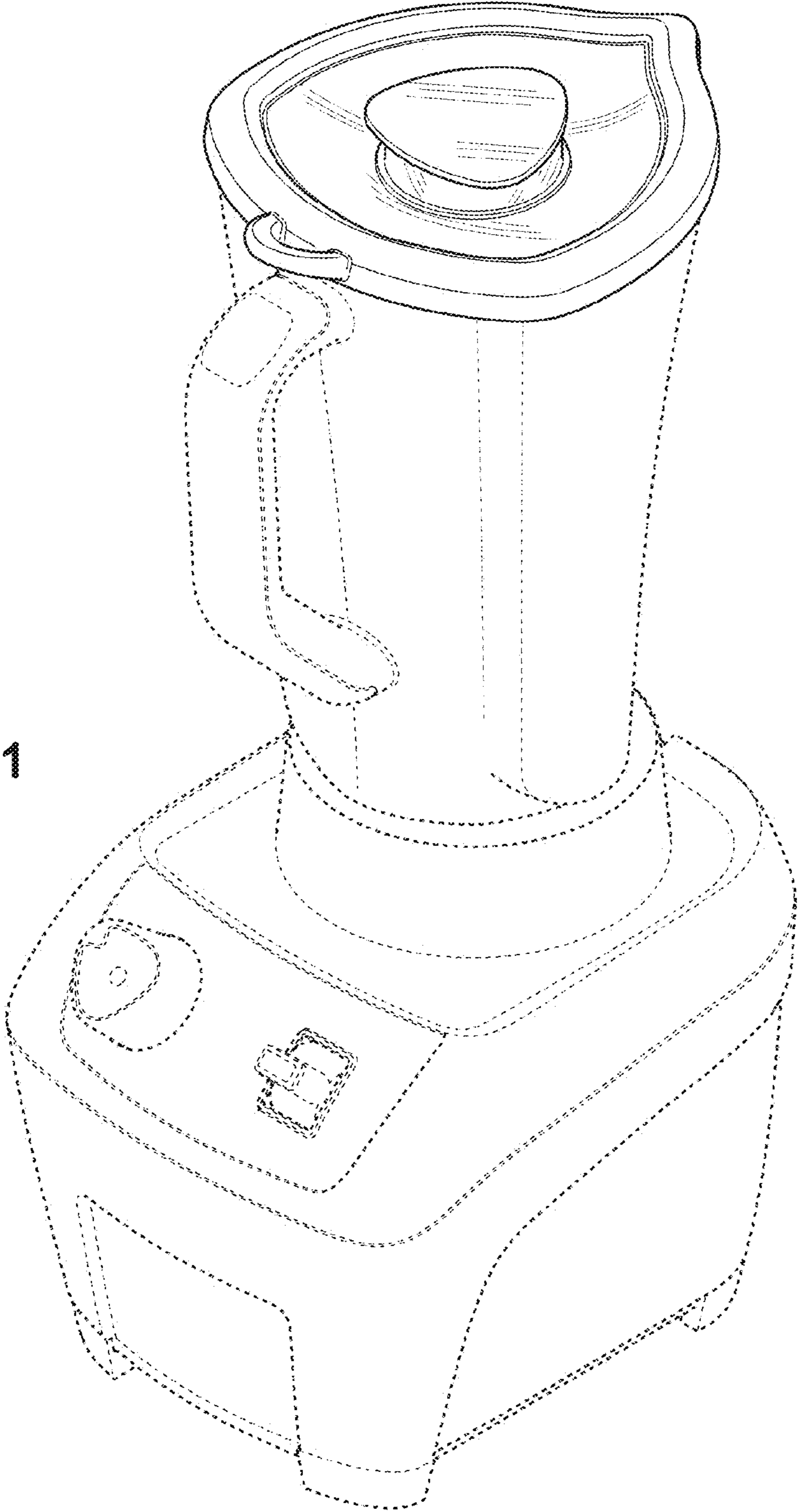
### U.S. PATENT DOCUMENTS

D694,582 S 12/2013 Norland  
D694,583 S 12/2013 Norland

D728,303 S \* 5/2015 Vu ..... D7/376  
D734,978 S \* 7/2015 Sanguinetti ..... D7/376  
D745,317 S \* 12/2015 Dichraff ..... D7/376

\* cited by examiner

FIG. 1



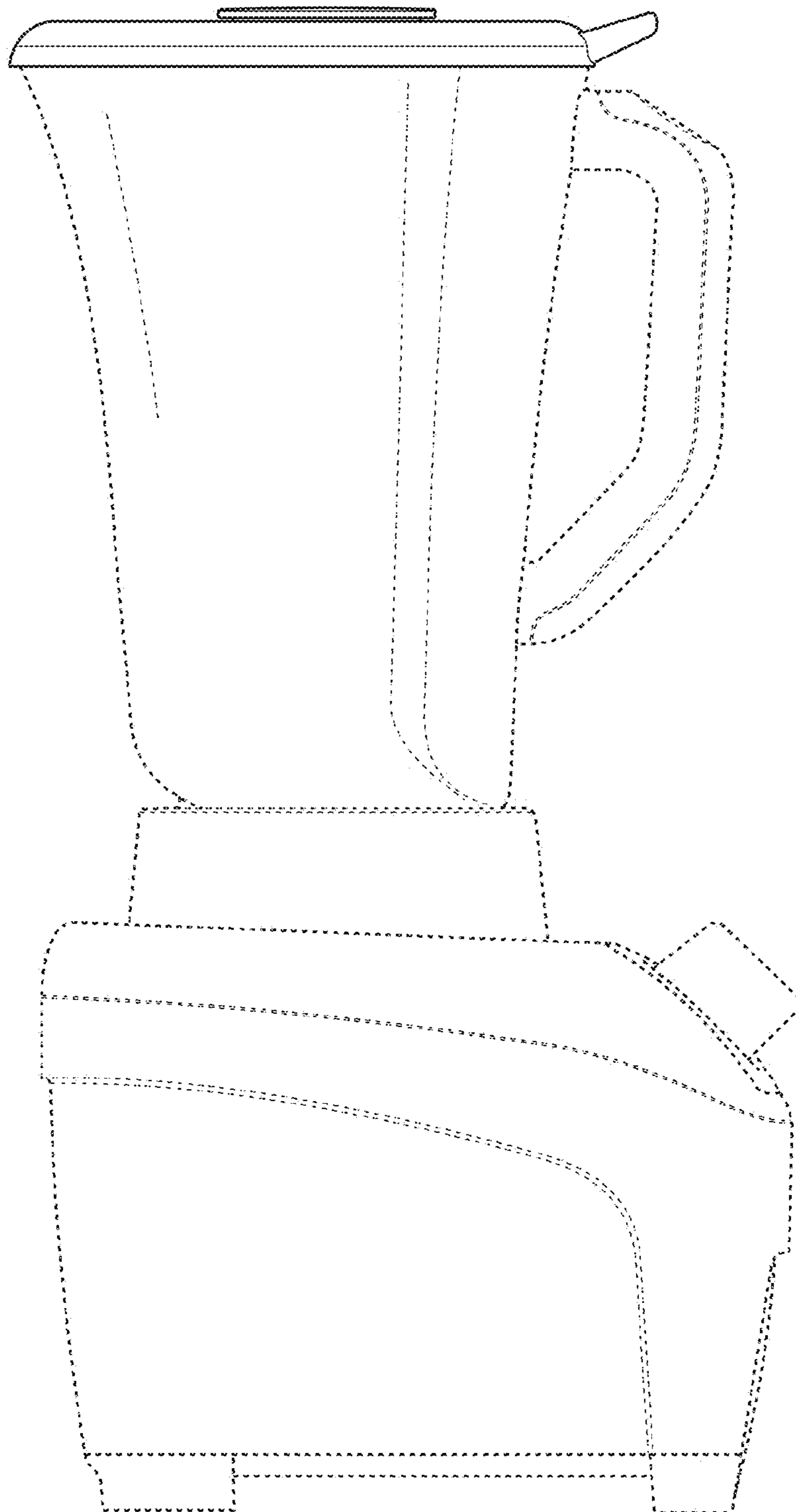


FIG. 2

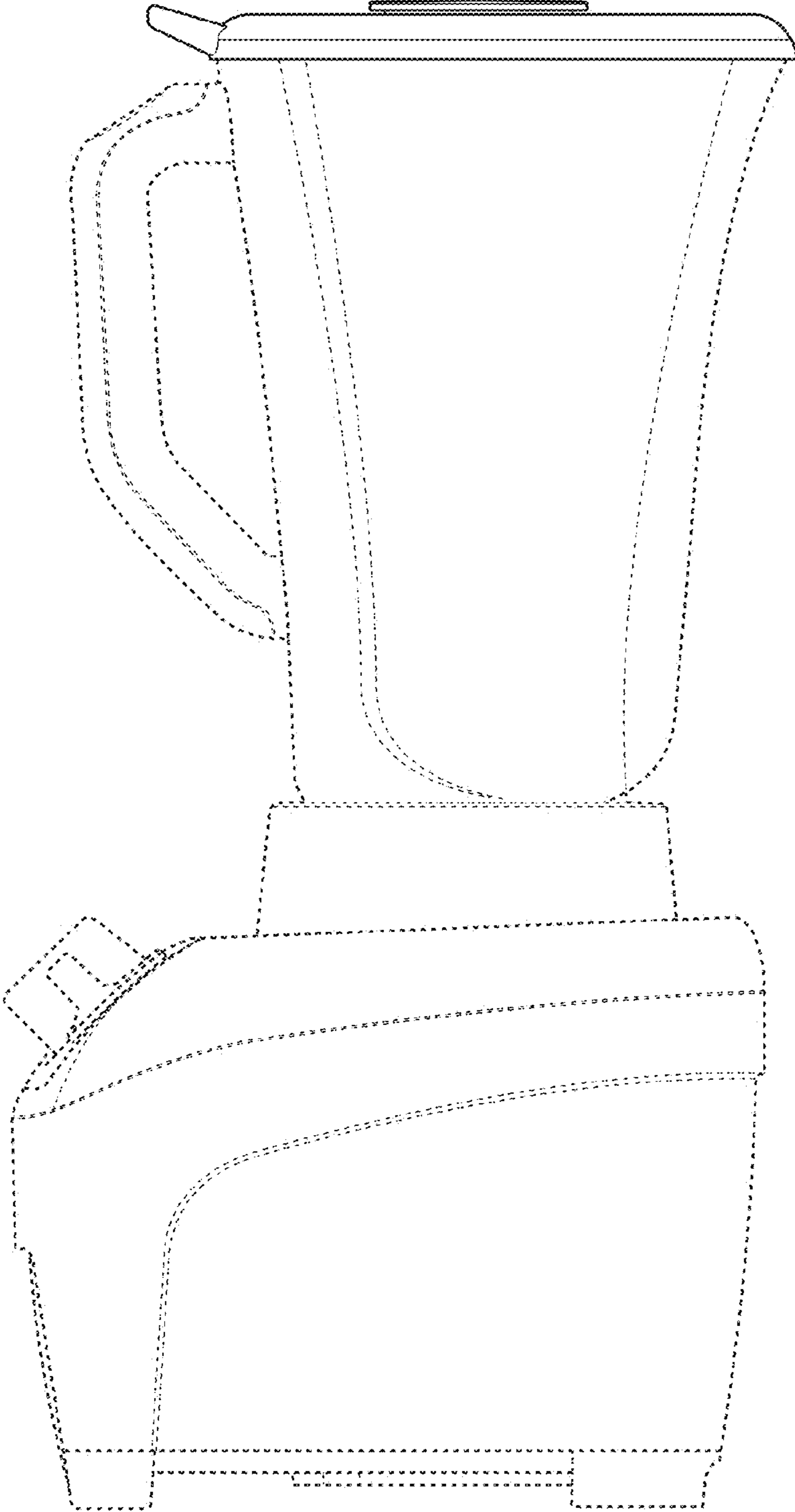


FIG. 3

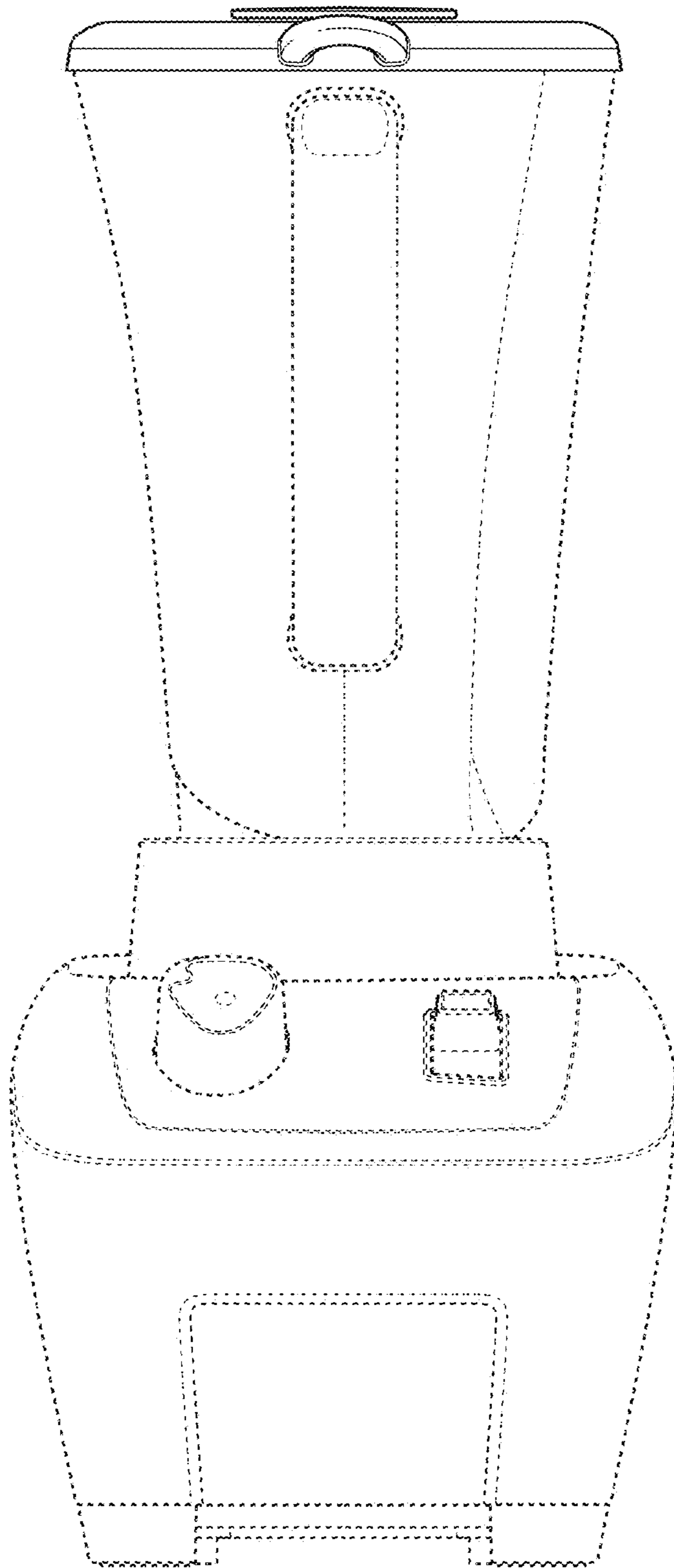


FIG. 4

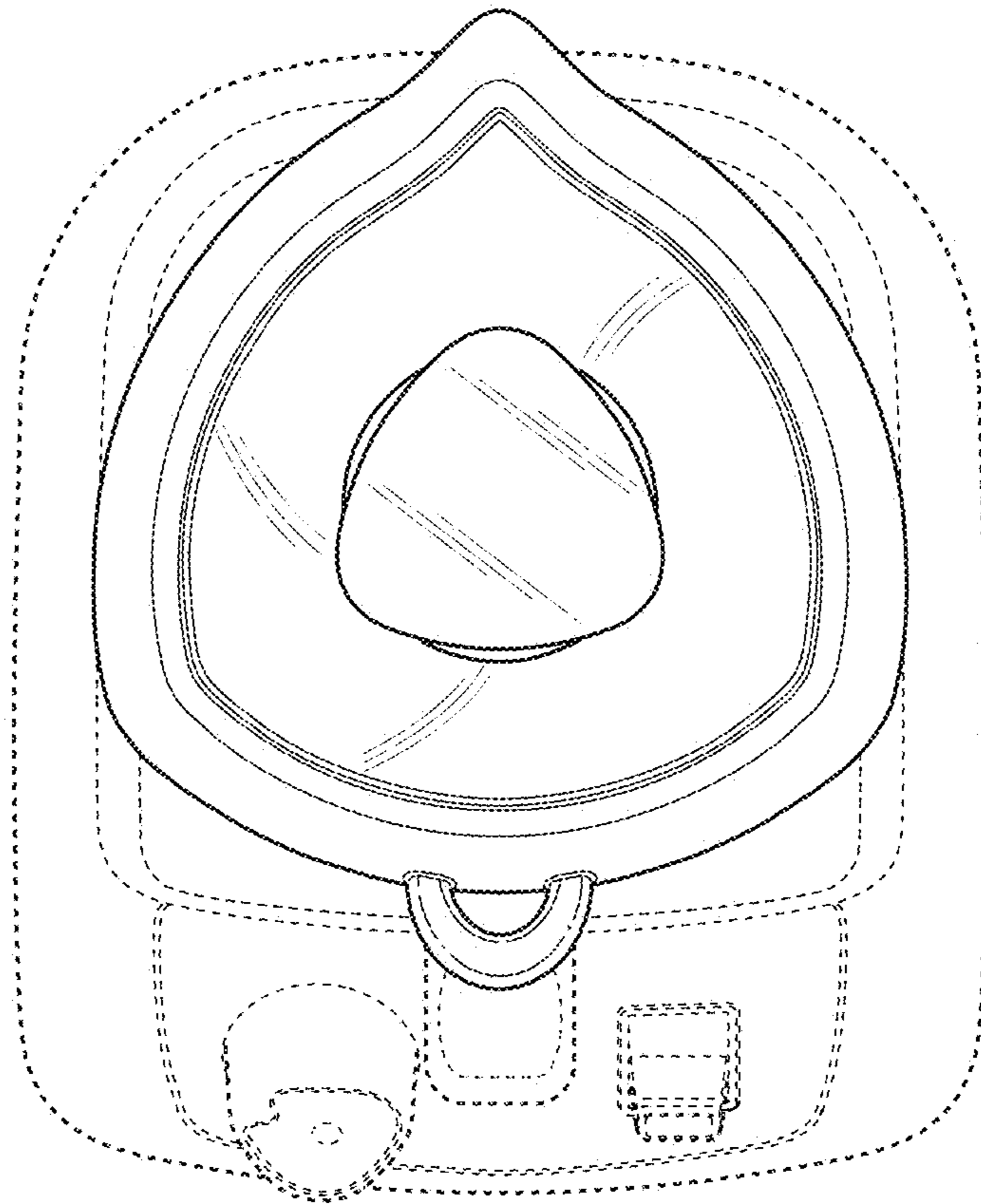


FIG. 5

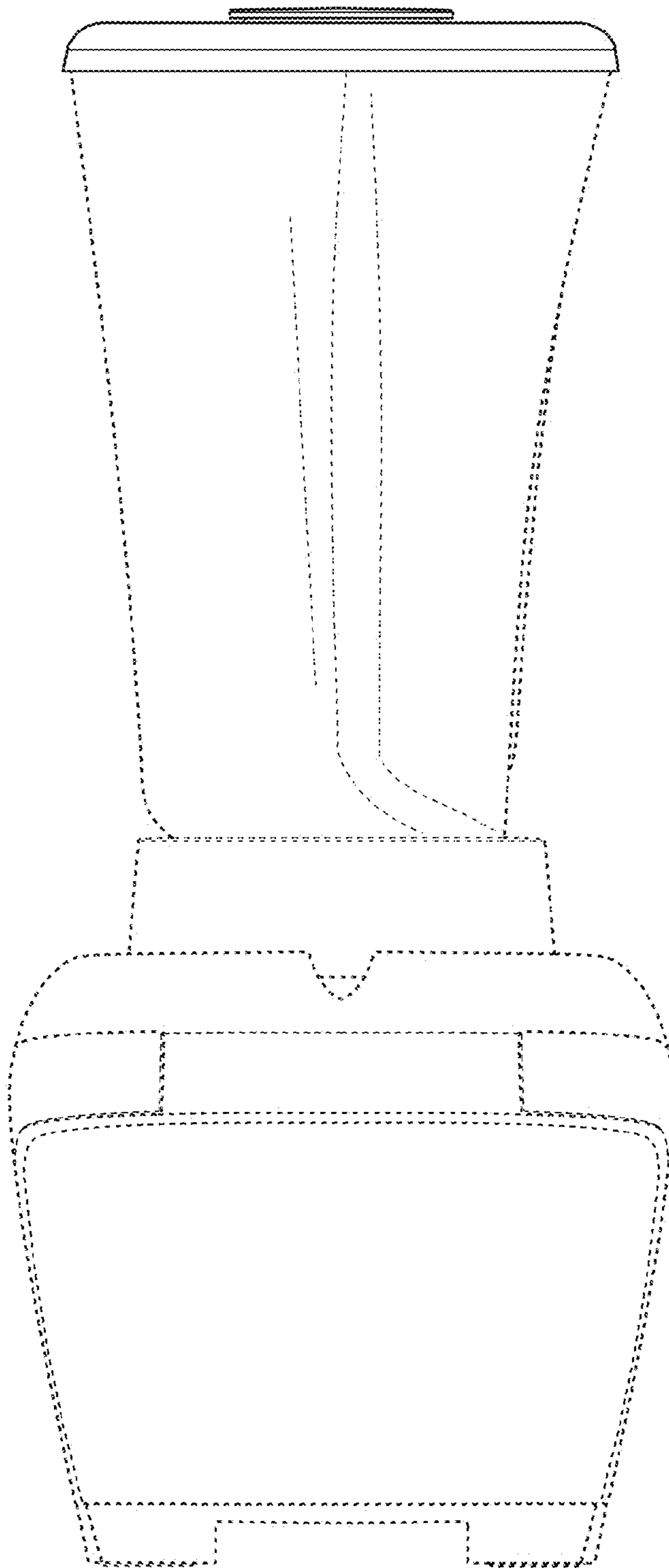


FIG. 6