



US00D772008S

(12) **United States Design Patent** (10) **Patent No.:** **US D772,008 S**  
**McConnell et al.** (45) **Date of Patent:** **\*\* Nov. 22, 2016**

(54) **BLENDER**  
(71) Applicant: **Whirlpool Corporation**, Benton Harbor, MI (US)  
(72) Inventors: **John W. McConnell**, St. Joseph, MI (US); **Brandon T. Mock**, St. Joseph, MI (US); **ZhaoYi Yin**, Benton Harbor, MI (US)  
(73) Assignee: **Whirlpool Corporation**, Benton Harbor, MI (US)

D181,541 S \* 11/1957 Madl ..... D7/378  
D187,684 S \* 4/1960 Hauser ..... D7/378  
D200,494 S \* 3/1965 Bezark ..... D7/378  
5,323,973 A 6/1994 Ferrara, Jr.  
5,655,834 A 8/1997 Dickson  
5,957,577 A 9/1999 Dickson et al.  
D424,865 S 5/2000 Crescenzi et al.  
D484,357 S \* 12/2003 Seum ..... D7/378  
7,520,663 B1 4/2009 Kolar et al.  
D594,697 S \* 6/2009 Lavy ..... D7/386  
D595,087 S 6/2009 Metaxatos et al.

(Continued)

(\*\*) Term: **14 Years**  
(21) Appl. No.: **29/519,320**  
(22) Filed: **Mar. 4, 2015**  
(51) **LOC (10) Cl.** ..... **31-00**  
(52) **U.S. Cl.**  
USPC ..... **D7/412; D7/376; D7/378; D7/386;**  
**D7/413**

(58) **Field of Classification Search**  
USPC ..... D7/372, 376-386, 412-413, 602, 629,  
D7/665-666, 669, 679, 693-694  
CPC ..... A21C 1/02; A21C 1/04; A23N 1/00;  
A23N 1/02; A47J 43/04; A47J 43/25; A47J  
43/27; A47J 43/042; A47J 43/044; A47J  
43/046; A47J 43/075; A47J 43/0722; A47J  
43/0727; B01F 3/00; B01F 3/0807; B01F  
3/0853; B01F 13/0059; B01F 13/0064;  
B02C 1/08; B02C 2/04; B02C 4/42; B02C  
4/142; B02C 4/143; B02C 4/423; B02C  
13/1835; B28C 5/10; B28C 5/12; B28C  
5/14; B28C 5/16  
See application file for complete search history.

(56) **References Cited**  
U.S. PATENT DOCUMENTS

2,304,476 A 12/1942 Poplawski  
D176,257 S \* 12/1955 Hill ..... D7/378

FOREIGN PATENT DOCUMENTS

WO 2005051149 6/2005

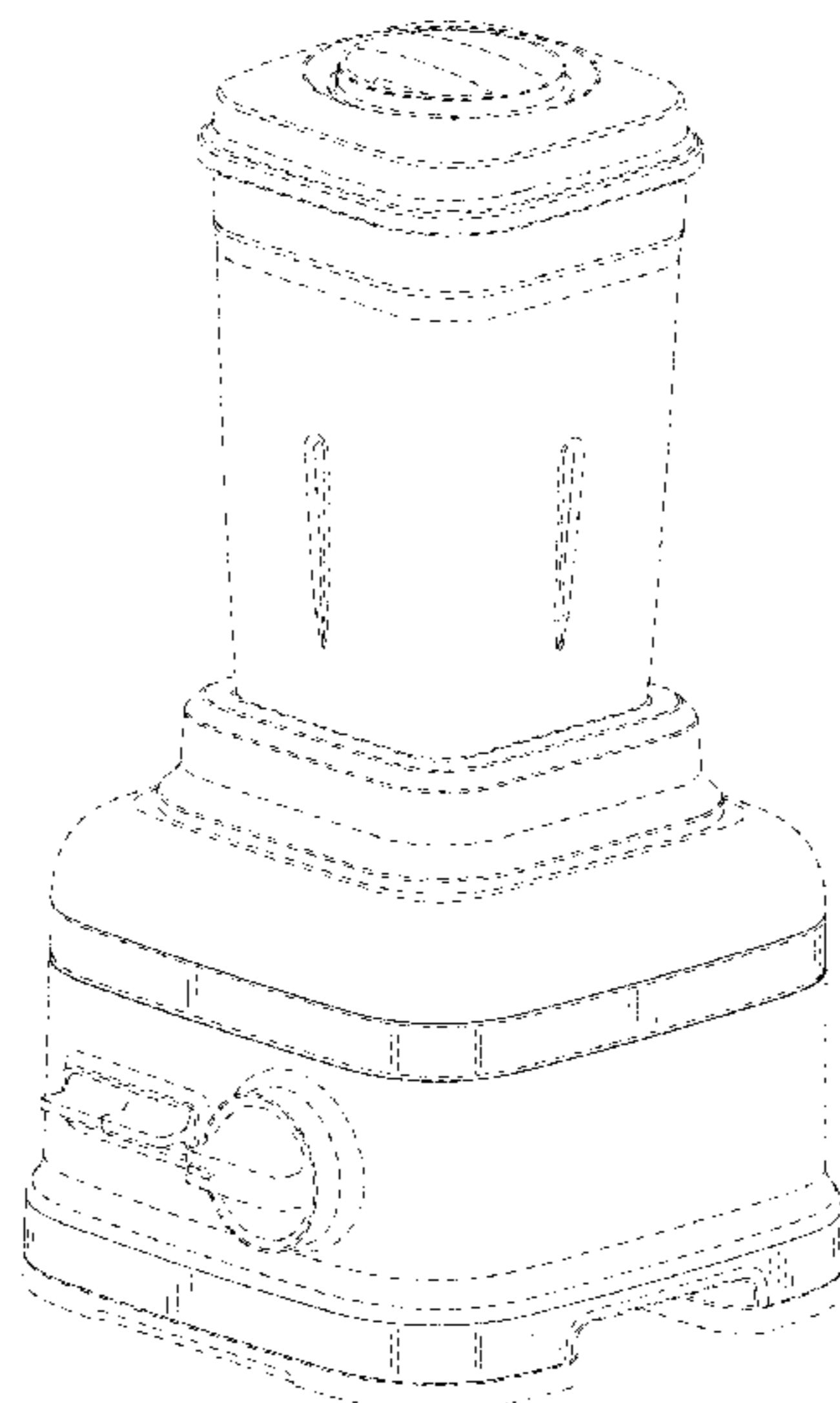
*Primary Examiner* — Ricky Pham

(57) **CLAIM**  
We claim the ornamental design for a blender, as shown and described.

**DESCRIPTION**

FIG. 1 is a front perspective view of the blender of the present invention;  
FIG. 2 is a rear perspective view of the blender of FIG. 1;  
FIG. 3 is a front elevation view of the blender of FIG. 1;  
FIG. 4 is a rear elevation view of the blender of FIG. 1;  
FIG. 5 is a first-side elevation view of the blender of FIG. 1;  
FIG. 6 is a second-side elevation view of the blender of FIG. 1;  
FIG. 7 is a top plan view of the blender of FIG. 1; and,  
FIG. 8 is a bottom plan view of the blender of FIG. 1.  
The broken lines shown in the drawings are for illustrative purposes only and form no part of the claimed design.

**1 Claim, 7 Drawing Sheets**



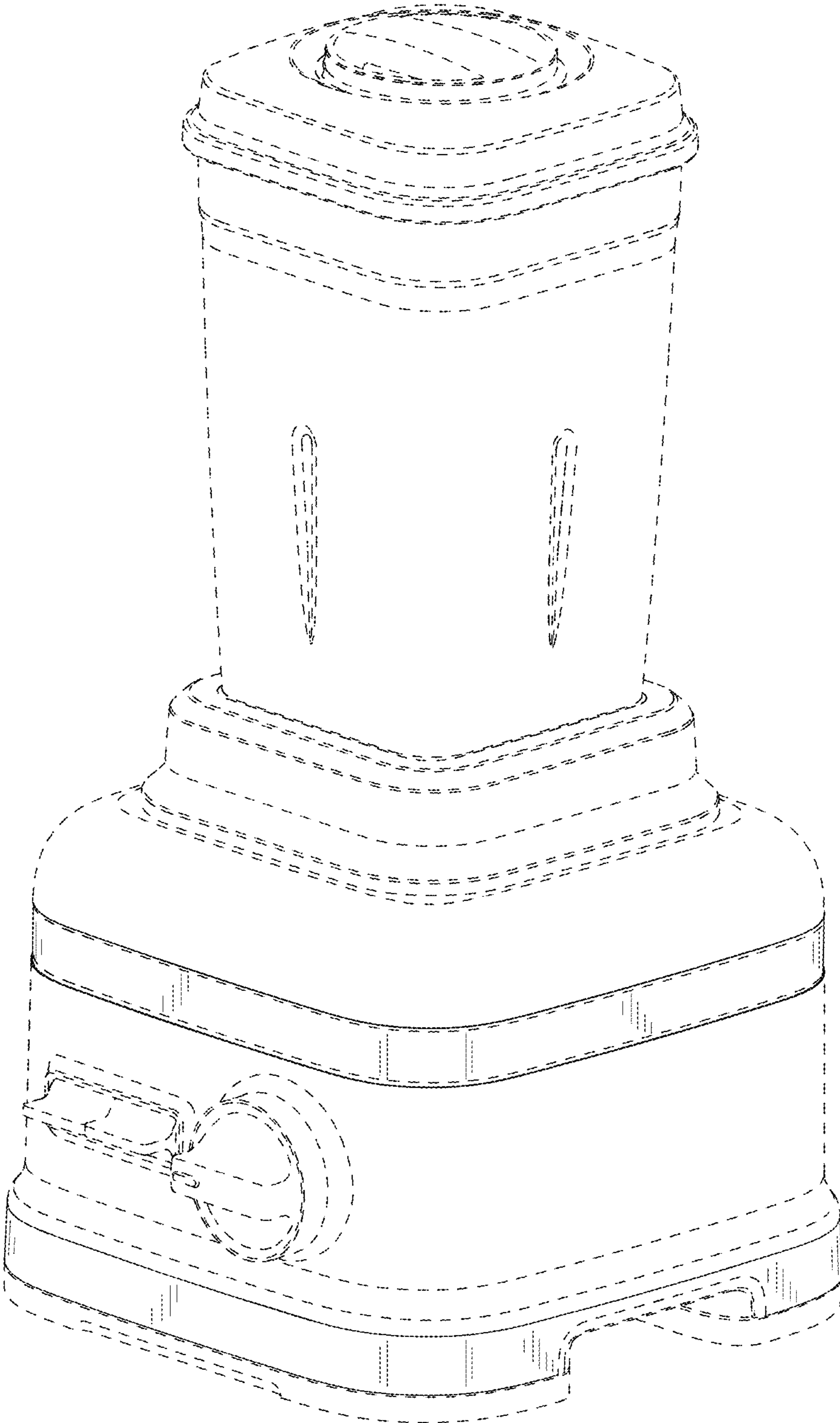
(56)

**References Cited**

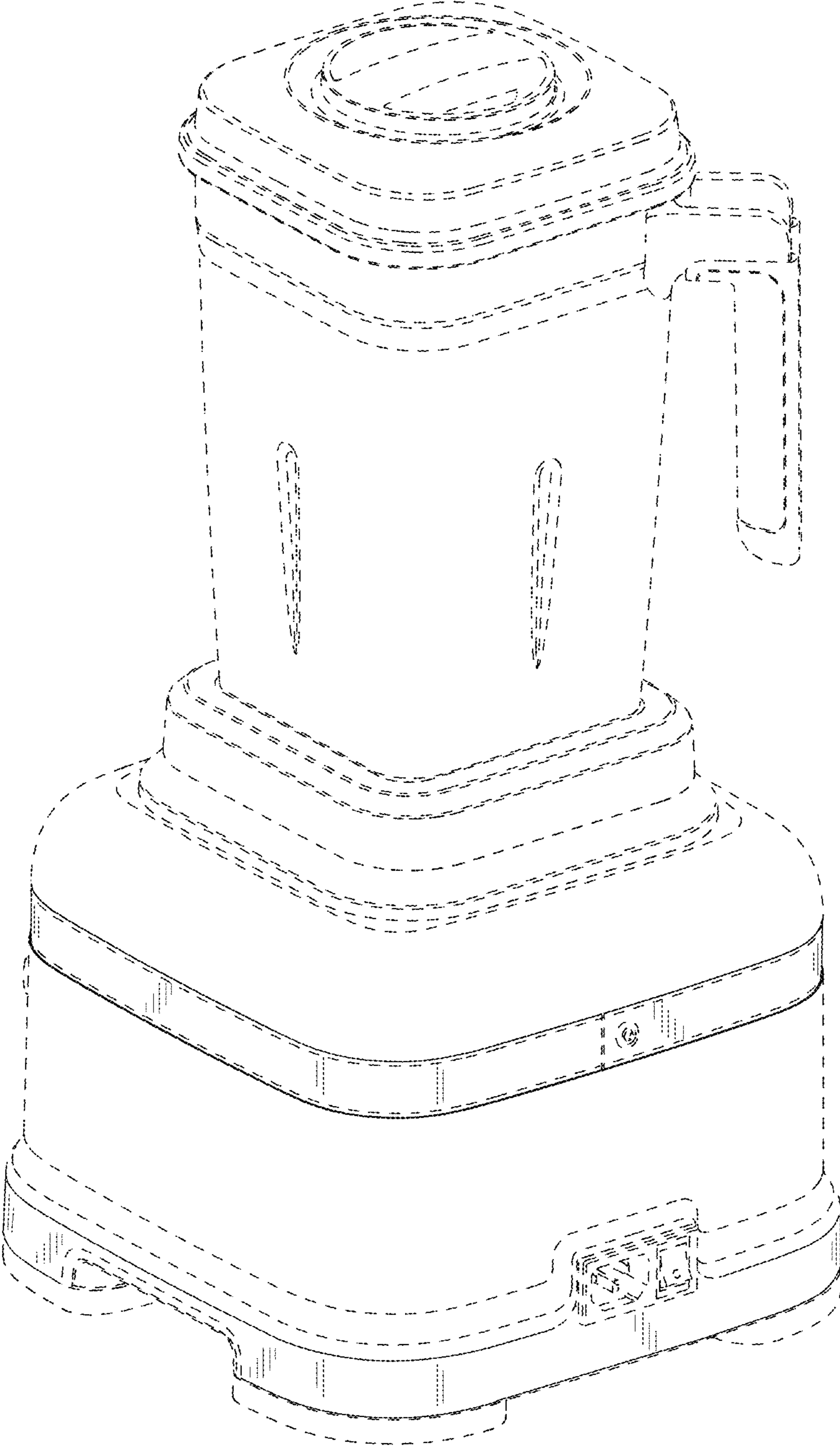
U.S. PATENT DOCUMENTS

D616,244 S *	5/2010	Thai .....	D7/378	8,287,180 B2	10/2012	Kolar et al.	
7,712,951 B2	5/2010	Bohannon, Jr. et al.		8,360,480 B2	1/2013	Athey et al.	
D631,282 S *	1/2011	Ferraby .....	D7/384	D711,682 S *	8/2014	Norland .....	D7/376
7,871,195 B2	1/2011	Larsen et al.		D731,234 S *	6/2015	Weaden .....	D7/376
D642,858 S *	8/2011	Lazzer .....	D7/376	D747,135 S *	1/2016	Ha .....	D7/376
8,087,603 B2	1/2012	Kolar et al.		D755,004 S *	5/2016	Bock .....	D7/376
				2005/0152215 A1	7/2005	Stuart et al.	
				2008/0089170 A1	4/2008	Larsen et al.	
				2009/0260523 A1	10/2009	Peng	

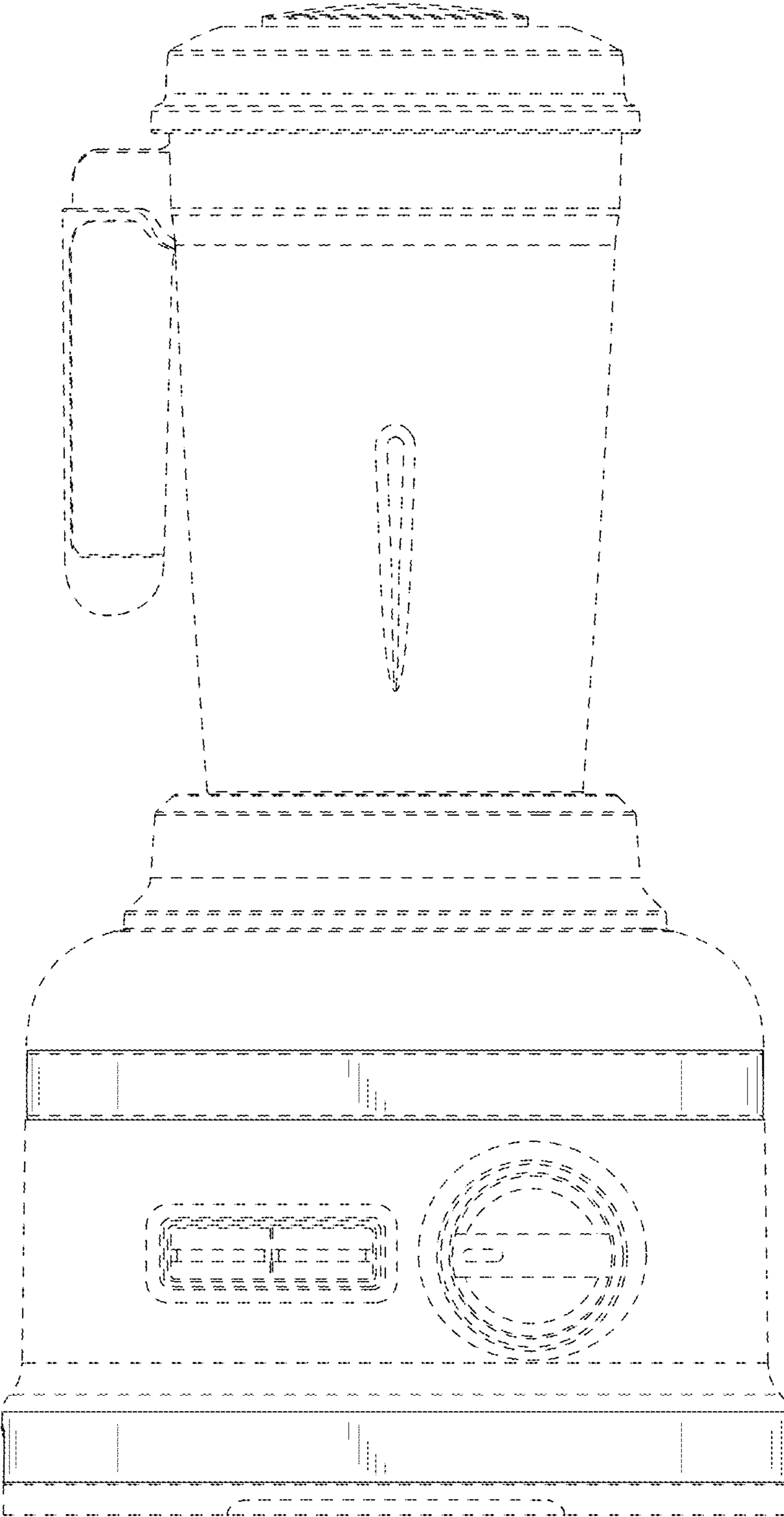
\* cited by examiner



**FIG. 1**



**FIG. 2**



**FIG. 3**

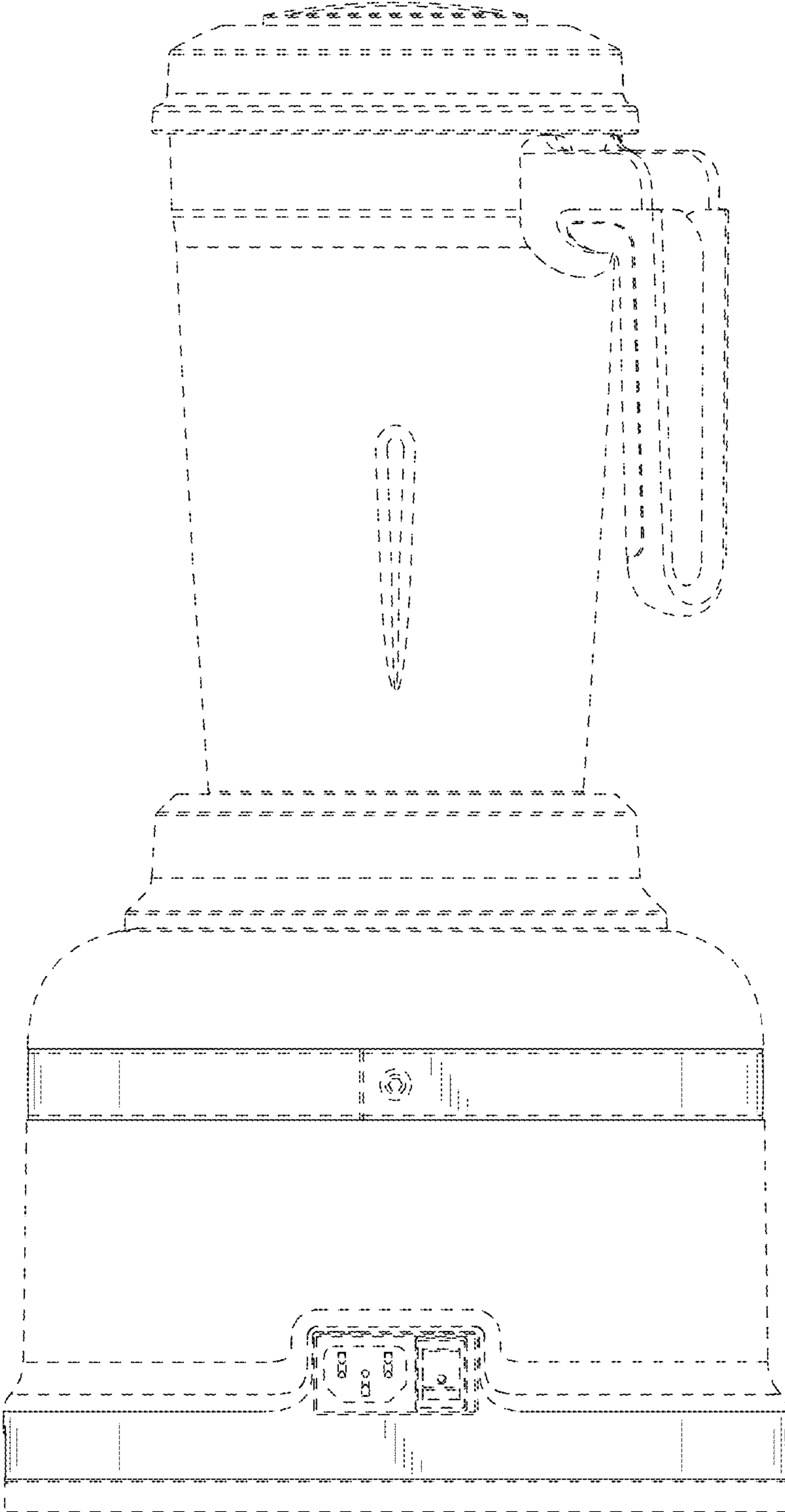
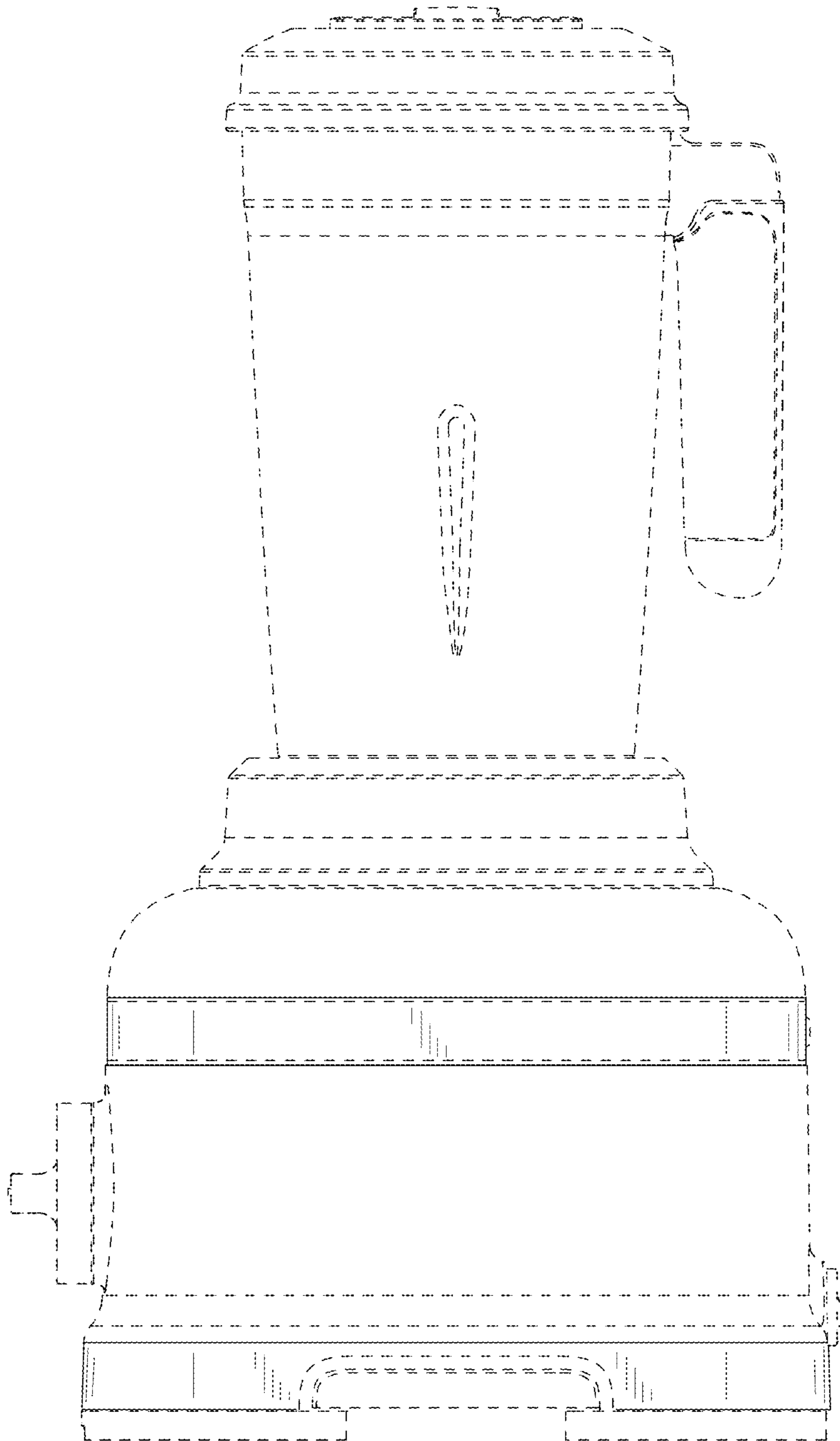


FIG. 4



**FIG. 5**

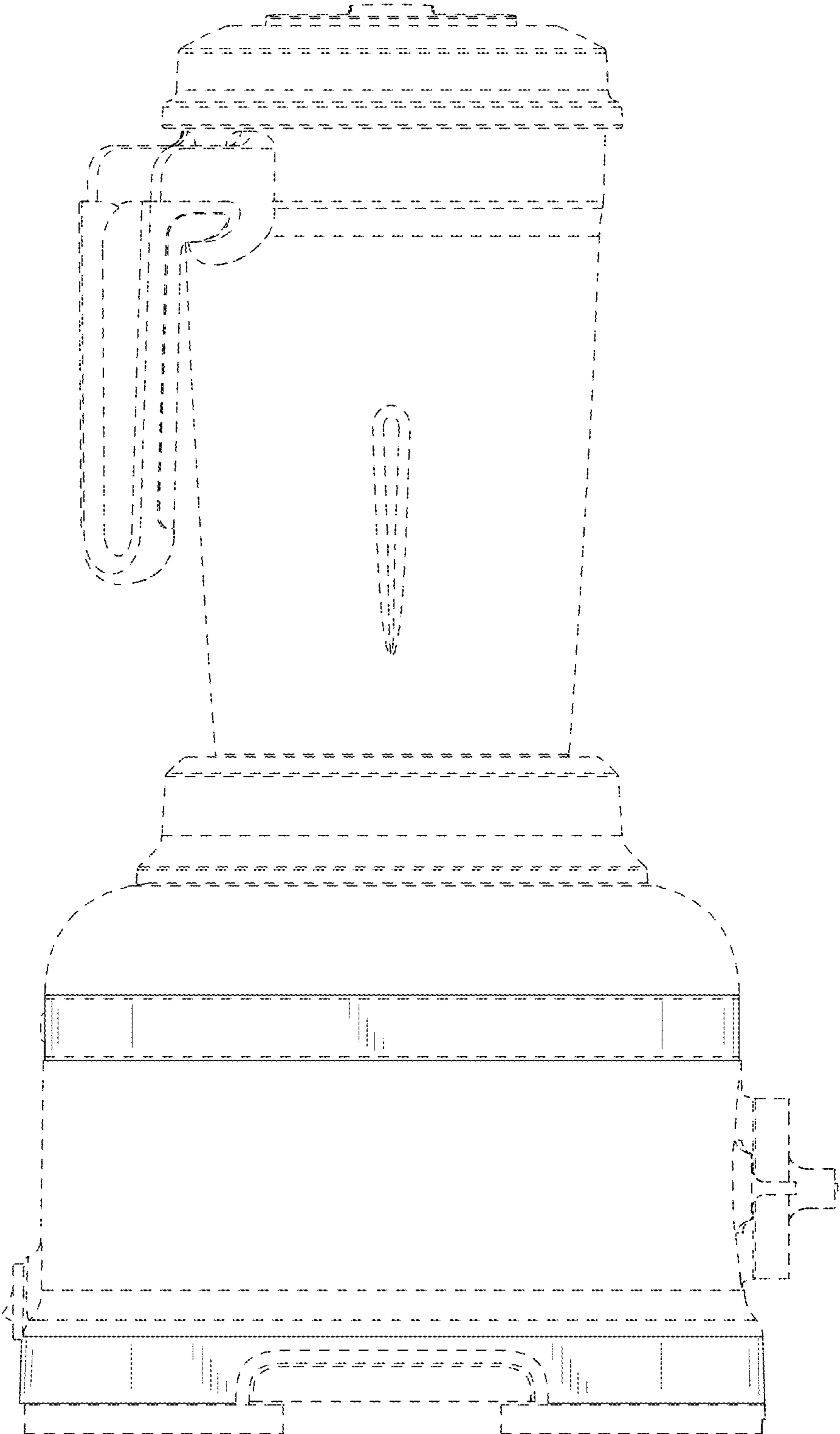
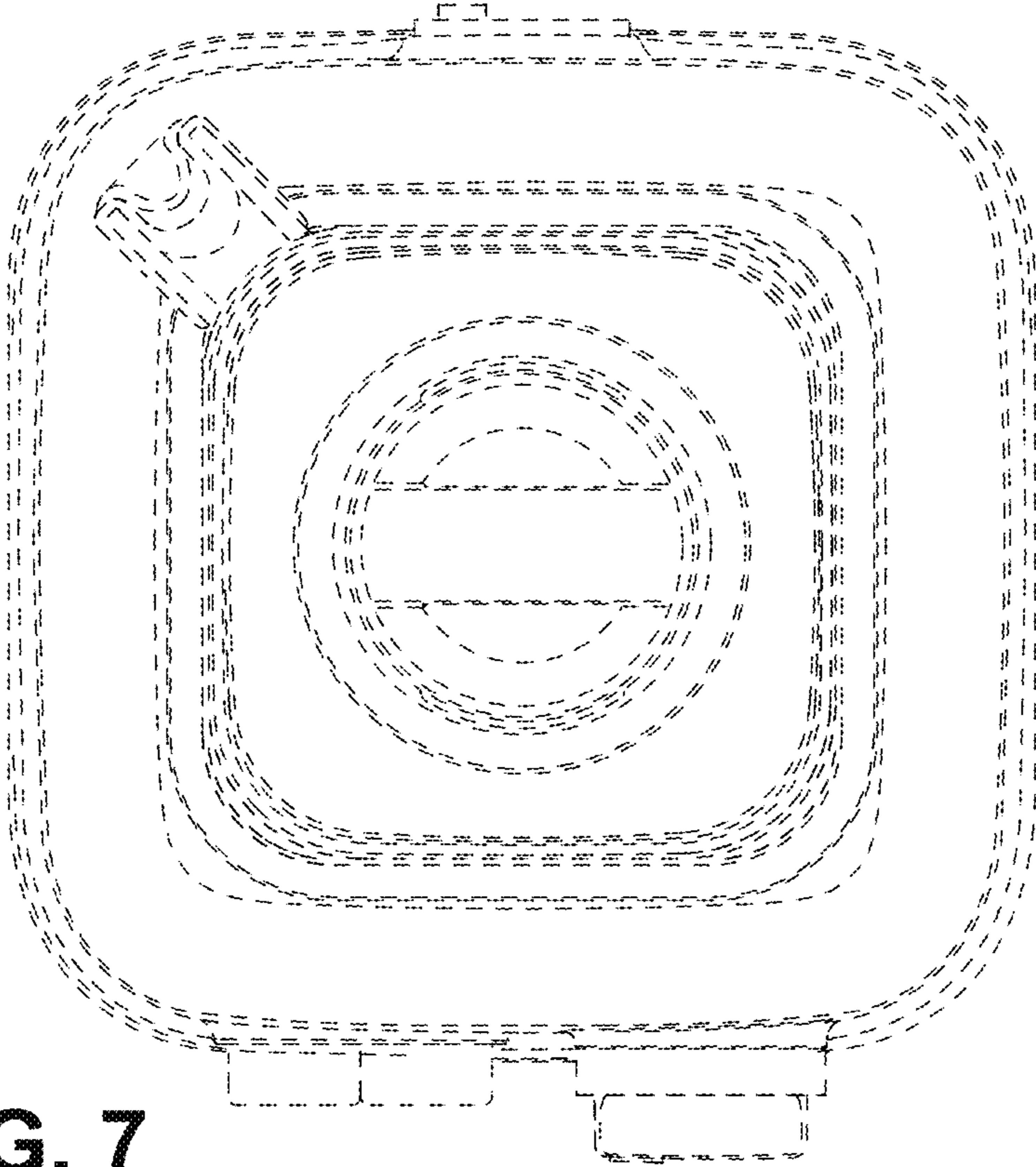
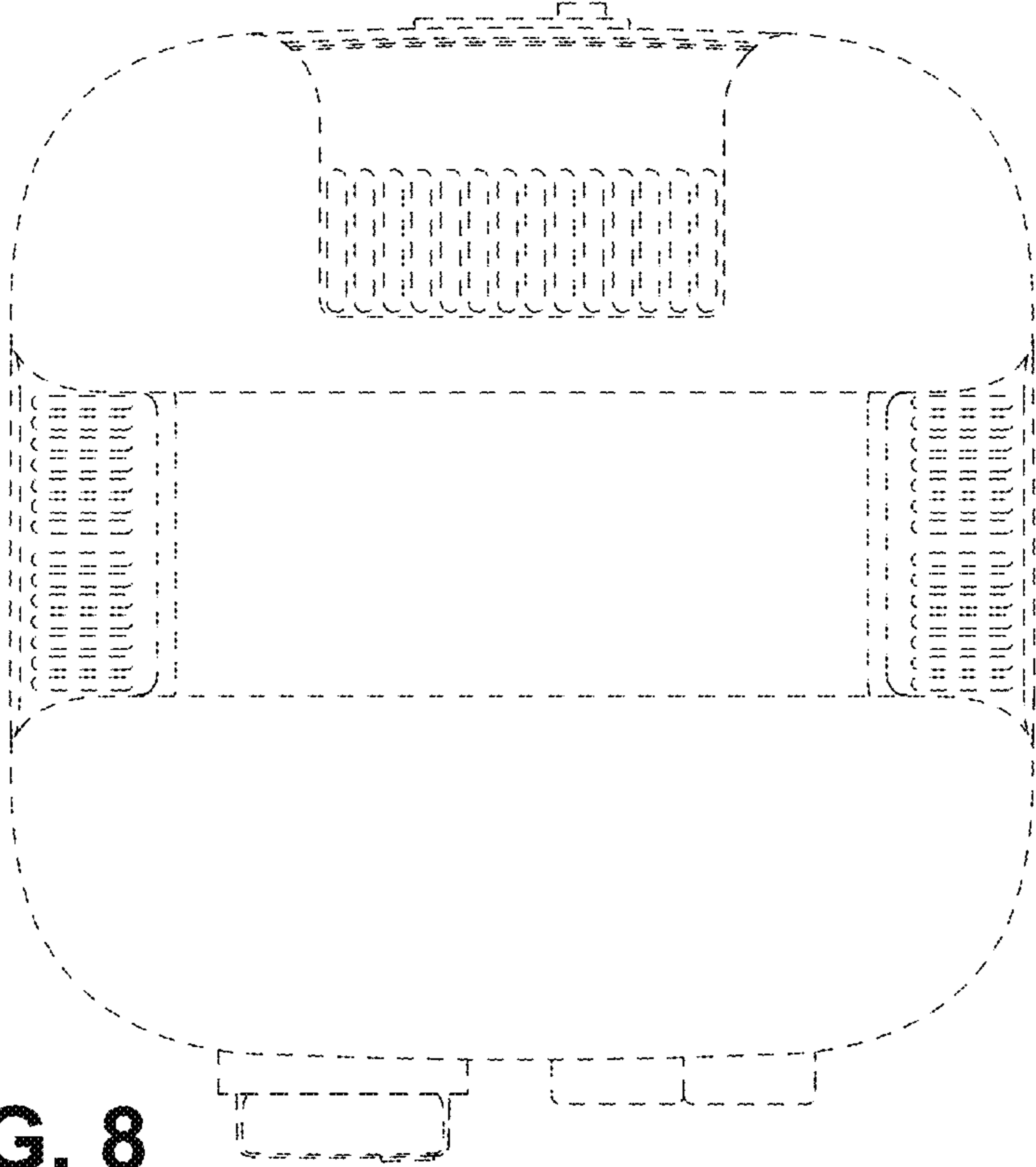


FIG. 6





**FIG. 7**



**FIG. 8**