



US00D772007S

(12) **United States Design Patent**  
**Kim et al.**

(10) **Patent No.:** **US D772,007 S**

(45) **Date of Patent:** **\*\* \*Nov. 22, 2016**

(54) **MICROWAVE OVEN**

D651,036 S \* 12/2011 Kim ..... D7/349  
D653,071 S \* 1/2012 Kim ..... D7/349  
D669,298 S \* 10/2012 Tonon ..... D7/350.1  
D708,469 S \* 7/2014 Kim ..... D7/351

(71) Applicant: **LG ELECTRONICS INC.**, Seoul  
(KR)

\* cited by examiner

(72) Inventors: **Soo Yeon Kim**, Seoul (KR); **Han Jin Jung**, Seoul (KR); **Song Yi Han**, Seoul (KR); **In Hwan Ryu**, Seoul (KR)

*Primary Examiner* — Sheryl Lane

*Assistant Examiner* — Nicole Shiflet

(73) Assignee: **LG ELECTRONICS INC.**, Seoul  
(KR)

(74) *Attorney, Agent, or Firm* — Birch, Stewart, Kolasch & Birch, LLP

(\*) Notice: This patent is subject to a terminal disclaimer.

(\*\*) Term: **14 Years**

(57) **CLAIM**

We claim the ornamental design for a microwave oven, as shown and described.

(21) Appl. No.: **29/525,178**

(22) Filed: **Apr. 28, 2015**

(30) **Foreign Application Priority Data**

**DESCRIPTION**

Nov. 13, 2014 (KR) ..... 30-2014-0054702

(51) **LOC (10) Cl.** ..... **07-02**

(52) **U.S. Cl.**  
USPC ..... **D7/405**

(58) **Field of Classification Search**  
USPC ..... D7/402, 403-408, 351, 350.4,  
D7/350.1-350.3, 323, 339-340, 346-349,  
D7/394

CPC .. H05B 6/763; H05B 6/6414; H05B 6/6408;  
Y02B 40/14; Y02B 40/143; Y02B 40/146;  
F24C 15/02; F24C 1/00; F24C 14/00; F24C  
3/00; F24C 5/00; F24C 7/00

See application file for complete search history.

FIG. 1 is a perspective view of a microwave oven showing our new design;

FIG. 2 is a front elevation view thereof;

FIG. 3 is a rear elevation view thereof;

FIG. 4 is a left-side elevation view thereof;

FIG. 5 is a right-side elevation view thereof;

FIG. 6 is a top plan view thereof;

FIG. 7 is a bottom plan view thereof; and,

FIG. 8 is a perspective view of a microwave oven, showing a second embodiment of our new design.

The broken lines in the drawing figures are included for the purpose of illustrating environment and form no part of the claimed design. FIG. 8 is the only view showing the second embodiment. Therefore, the second embodiment includes only what is shown in FIG. 8.

(56) **References Cited**

**U.S. PATENT DOCUMENTS**

D310,616 S \* 9/1990 Murai ..... D7/351  
D535,141 S \* 1/2007 Lee ..... D7/351  
D535,516 S \* 1/2007 Lee ..... D7/351  
D540,108 S \* 4/2007 Kim ..... D7/351  
D646,111 S \* 10/2011 Kim ..... D7/348

**1 Claim, 5 Drawing Sheets**

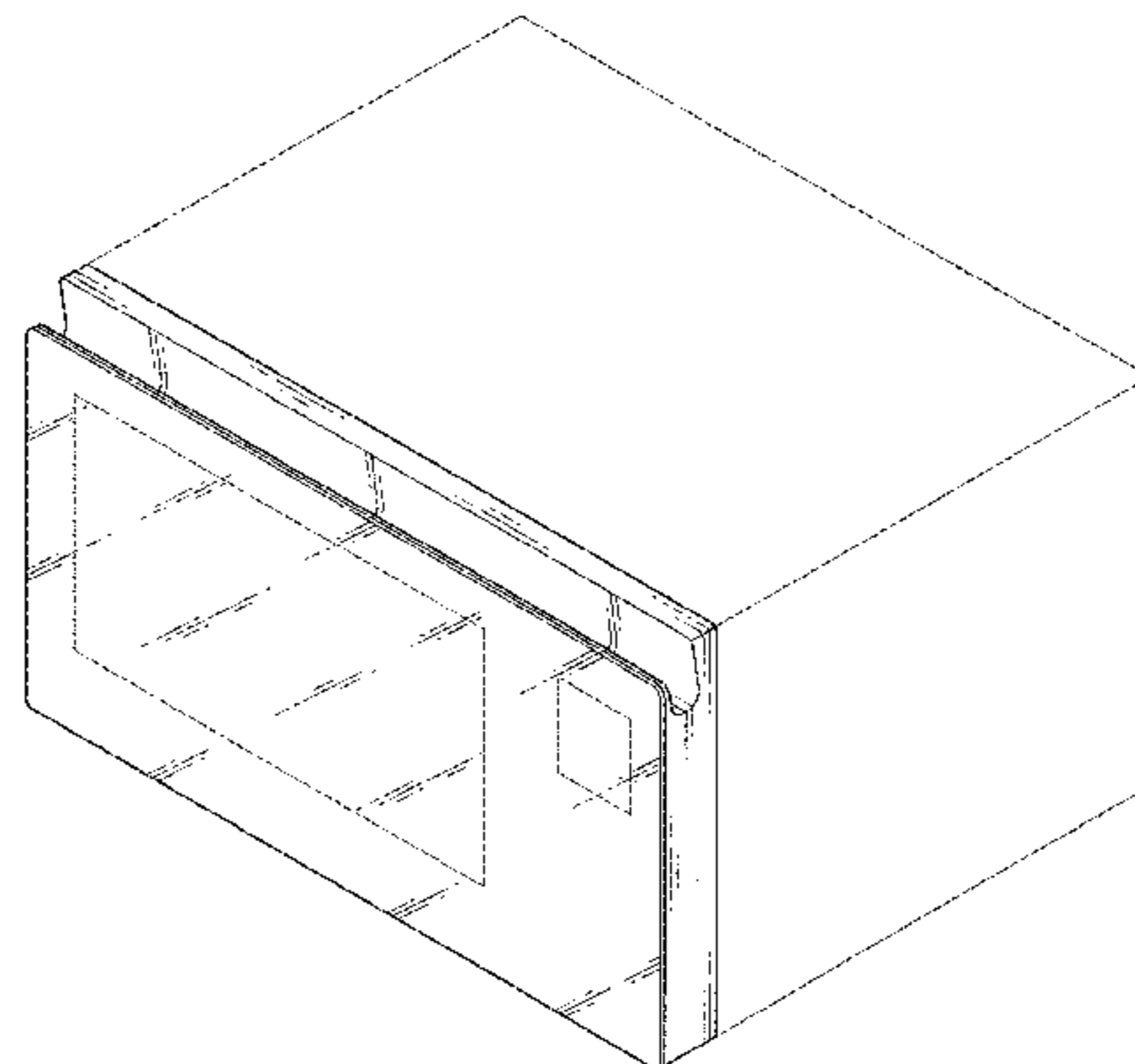


FIG. 1

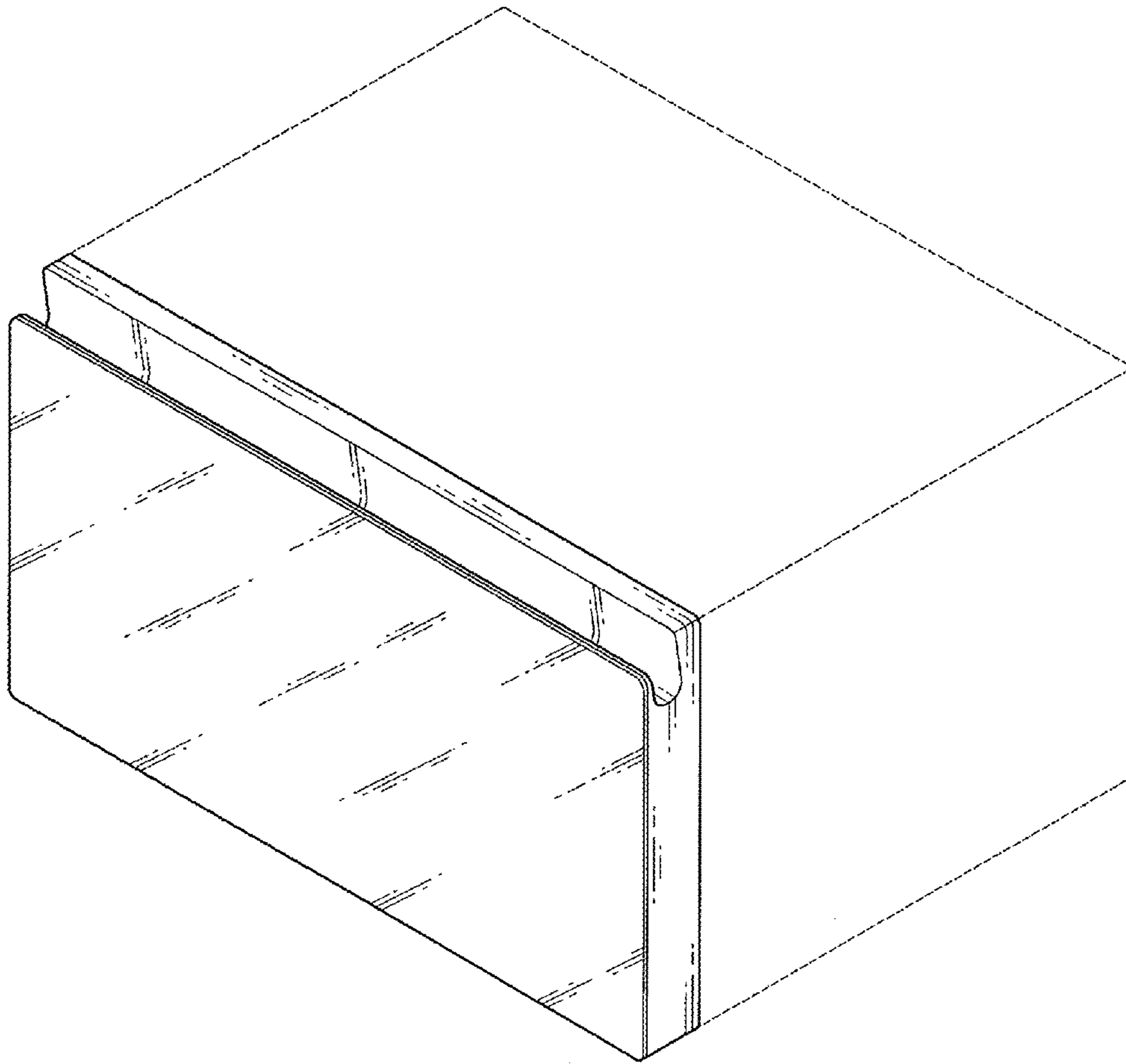


FIG. 2

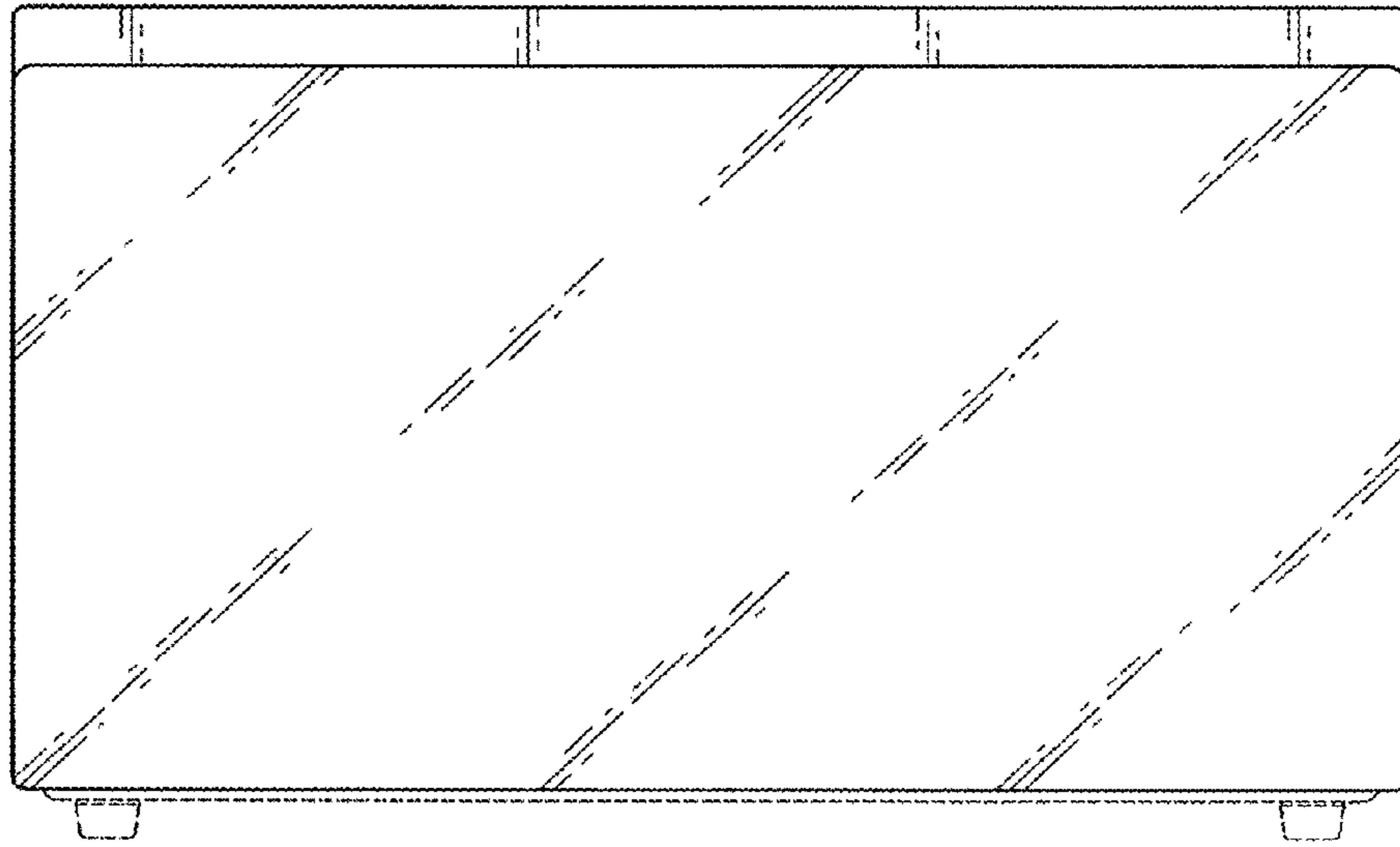


FIG. 3

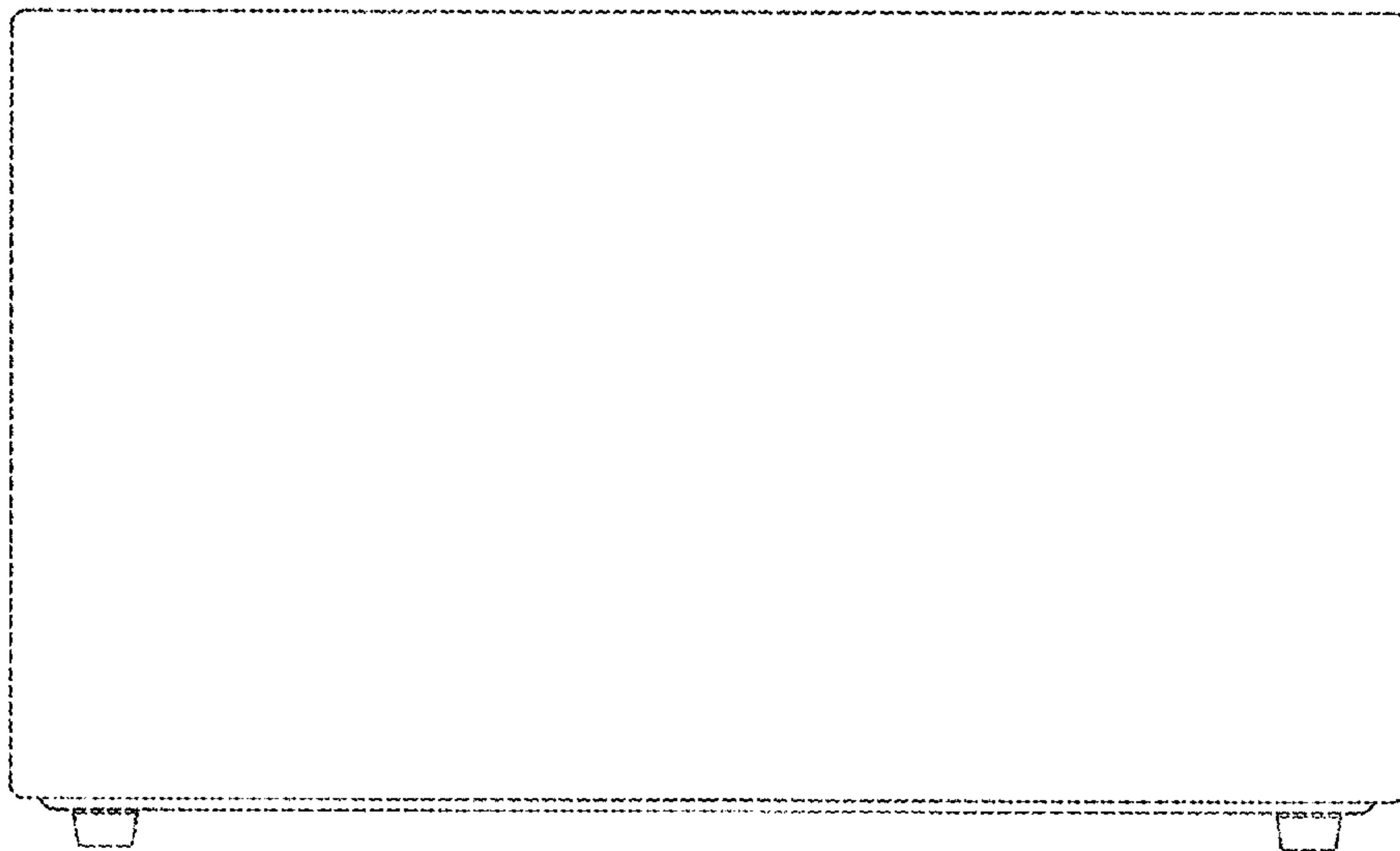


FIG. 4

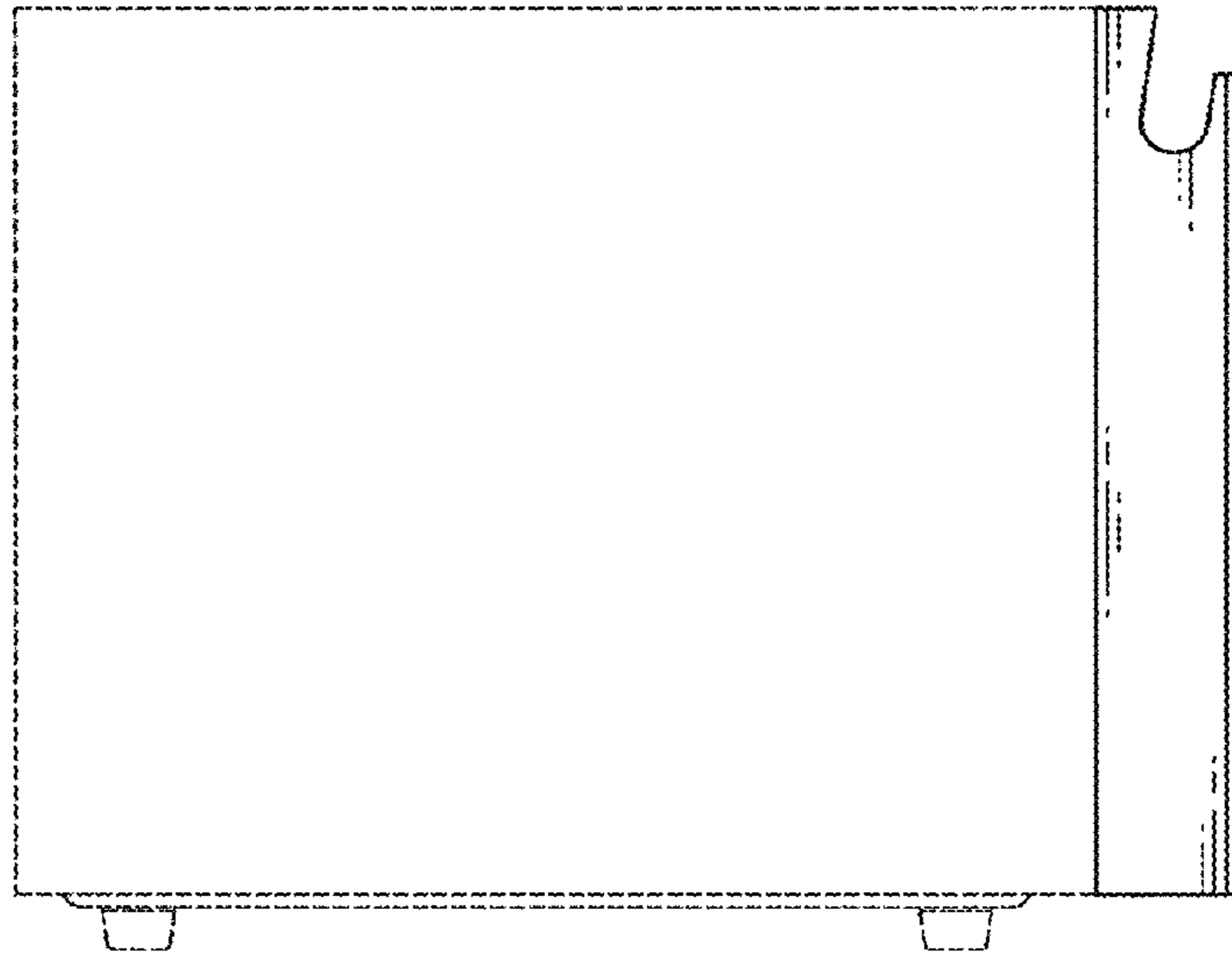


FIG. 5

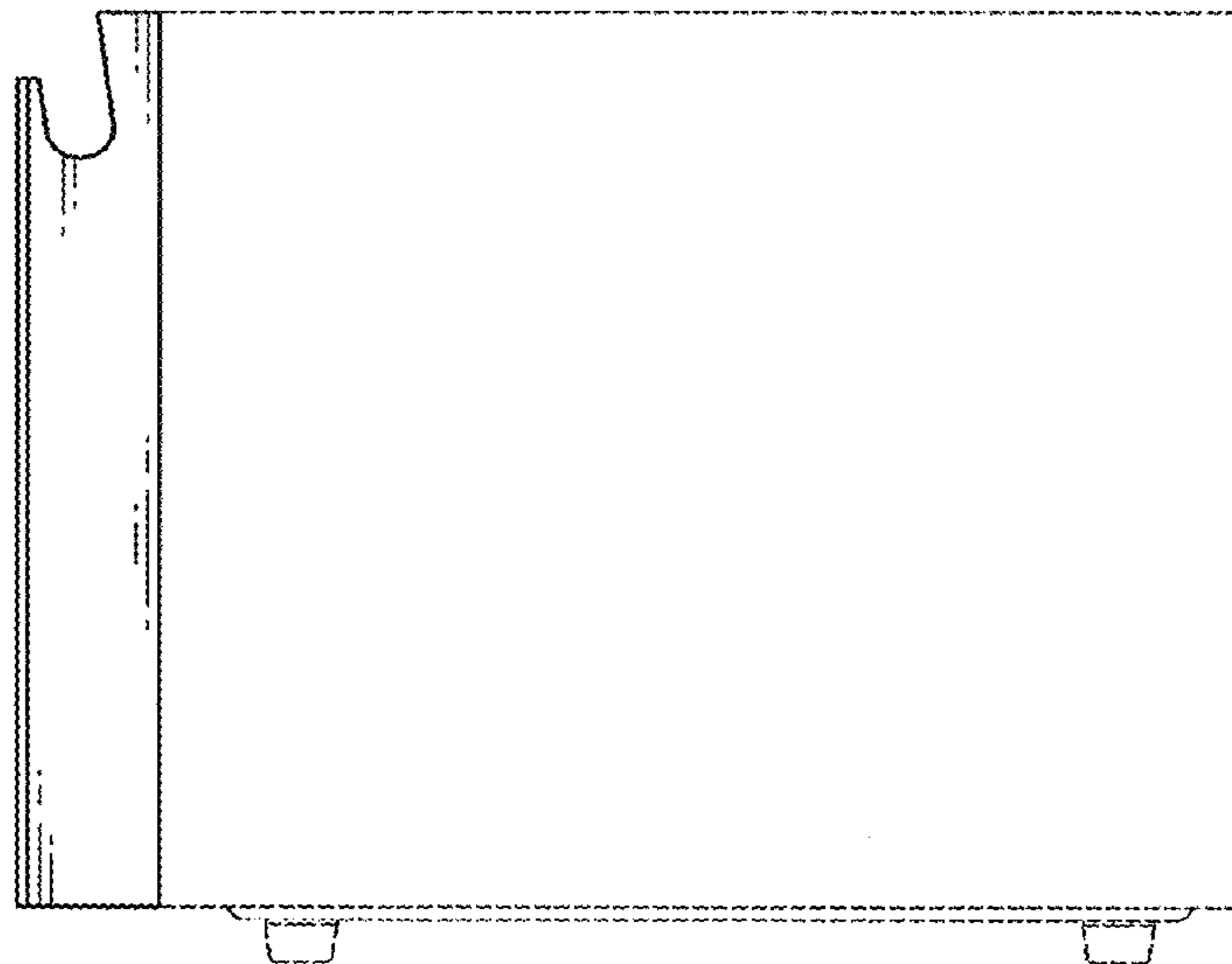


FIG. 6

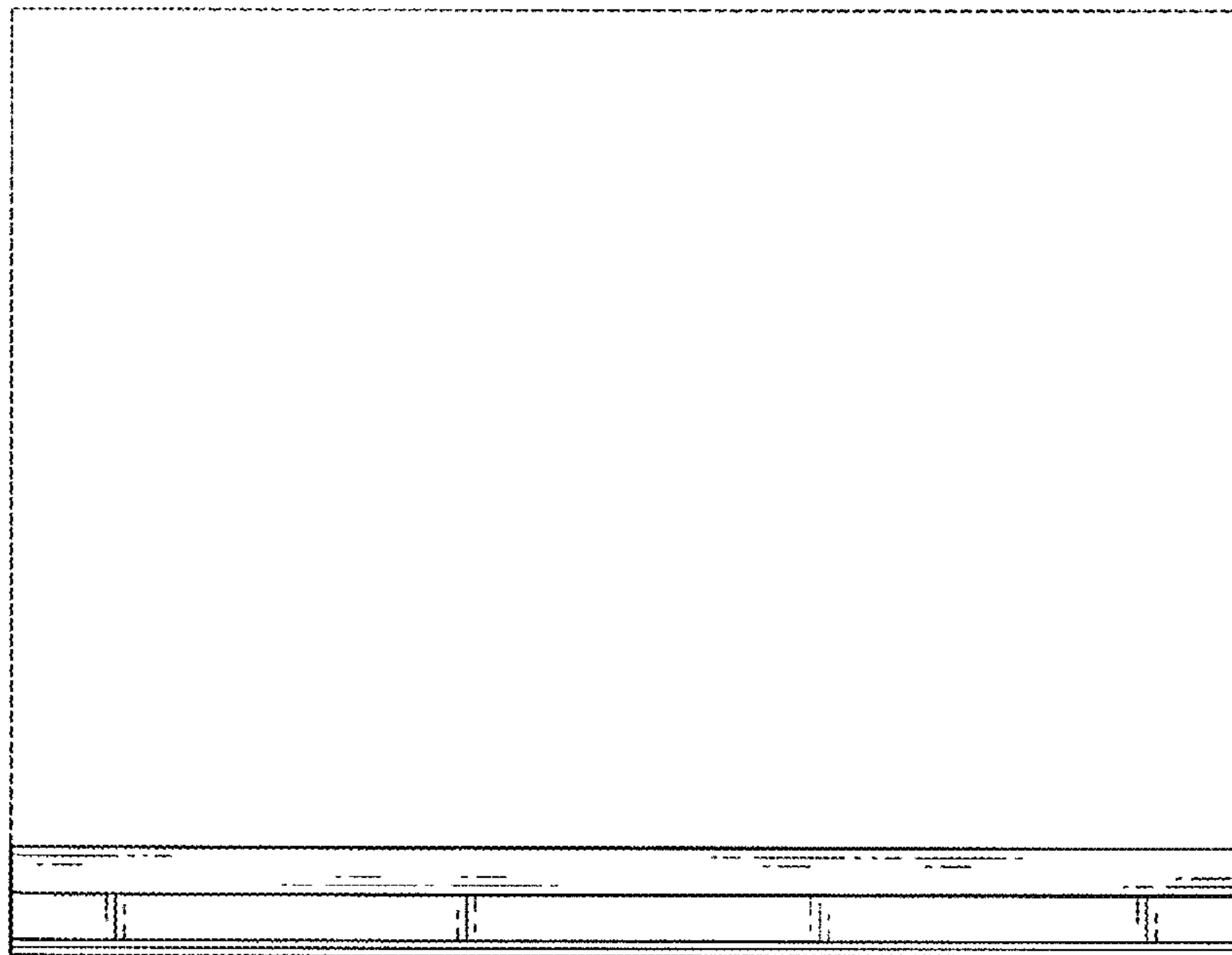


FIG. 7

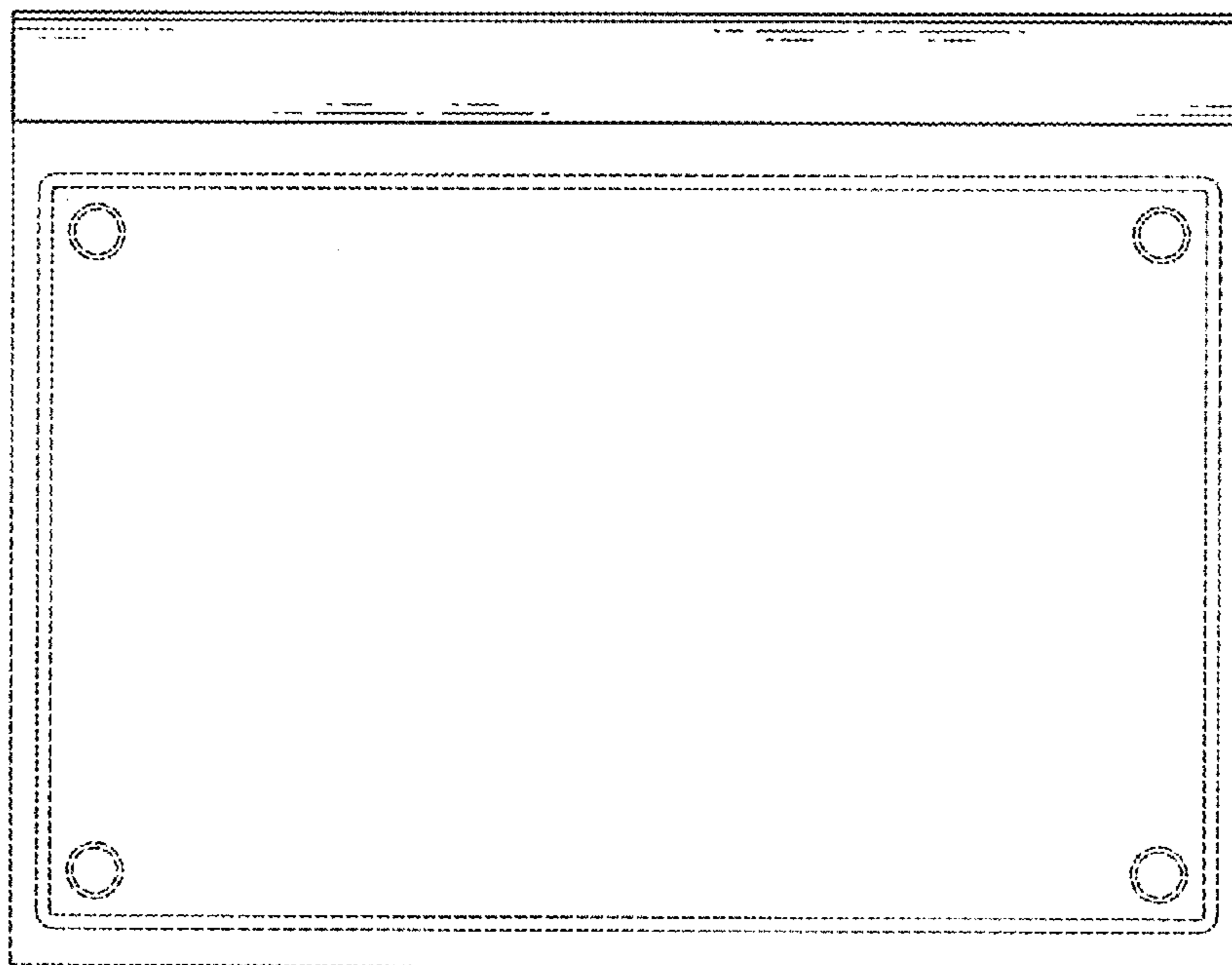


FIG. 8

