



US00D772006S

(12) **United States Design Patent**
Squiers et al.

(10) **Patent No.:** **US D772,006 S**

(45) **Date of Patent:** **** Nov. 22, 2016**

- (54) **KNIFE**
- (71) Applicant: **Milwaukee Electric Tool Corporation**,
Brookfield, WI (US)
- (72) Inventors: **Grant T. Squiers**, Cudahy, WI (US);
Andrew G. Wagner, Lisbon, WI (US);
Matthew W. Naiva, Wauwatosa, WI
(US); **Derek Rose**, Brookfield, WI (US)
- (73) Assignee: **MILWAUKEE ELECTRIC TOOL
CORPORATION**, Brookfield, WI (US)

4,211,003 A 7/1980 Collins
 4,825,552 A * 5/1989 Bendickson B25G 1/10
 16/DIG. 12
 4,964,554 A 10/1990 Collins
 D317,037 S 5/1991 Koshiishi
 5,138,768 A 8/1992 Collins
 5,211,322 A 5/1993 Nealy
 D347,145 S * 5/1994 Neshat D7/401.2
 5,315,761 A 5/1994 Norton et al.
 5,379,520 A 1/1995 Collins

(Continued)

- (**) Term: **14 Years**
- (21) Appl. No.: **29/522,773**
- (22) Filed: **Apr. 2, 2015**
- (51) **LOC (10) Cl.** **07-03**
- (52) **U.S. Cl.**
USPC **D7/401.2; D7/649**
- (58) **Field of Classification Search**
USPC D7/393-395, 401.2, 642-652, 693,
D7/695-696; D8/93, 97-100, 104, 107,
D8/300, 321; D22/117-118
CPC A01B 1/20; A01B 1/22; A22C 25/006;
A47G 21/06; A47G 21/065; A61B 17/3211;
A61B 17/3213; B21D 53/64; B25G 1/10;
B25G 3/36; B26B 1/00; B26B 1/08; B26B
1/10; B26B 3/00; B26B 3/02; B26B 3/03;
B26B 3/04; B26B 3/06; B26B 5/00; B26B
5/001; B26B 5/007; B26B 7/00; B26B
7/005; B26B 9/00; B26B 9/02; B26B 11/00;
B26B 11/006; B26B 17/00; B26B 17/006;
B26B 29/02
See application file for complete search history.

FOREIGN PATENT DOCUMENTS

WO 2010/047836 4/2010

Primary Examiner — Ricky Pham

(74) *Attorney, Agent, or Firm* — Michael Best &
Friedrich LLP

(57) **CLAIM**

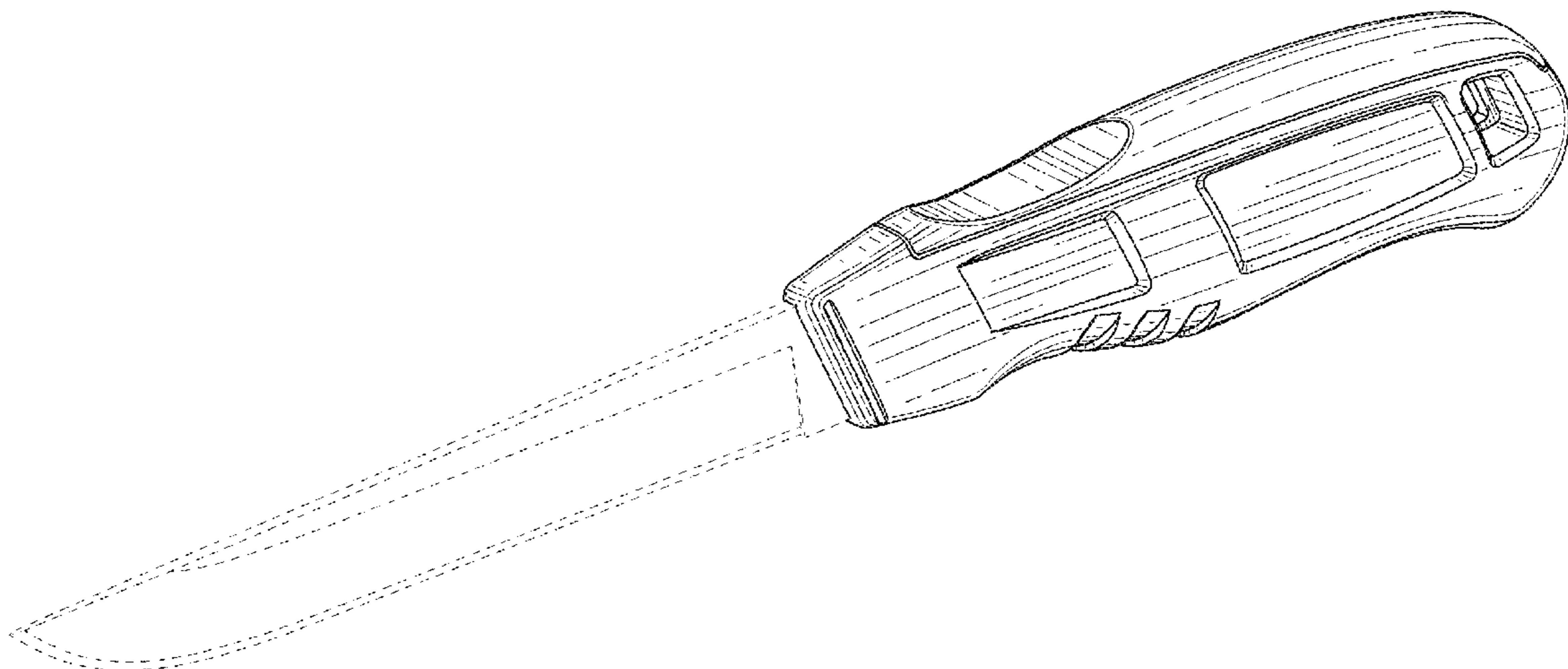
We claim the ornamental design for a knife, as shown and described.

DESCRIPTION

FIG. 1 is a perspective view of a knife according to the invention.
 FIG. 2 is a right side view of the knife shown in FIG. 1.
 FIG. 3 is a left side view of the knife shown in FIG. 1.
 FIG. 4 is a front end view of the knife shown in FIG. 1.
 FIG. 5 is a back end view of the knife shown in FIG. 1.
 FIG. 6 is a top plan view of the knife shown in FIG. 1; and,
 FIG. 7 is a bottom plan view of the knife shown in FIG. 1.
 The present application is directed to the design illustrated in the drawings. The elements shown in broken lines are included for the purpose of illustrating environment and form no part of the claimed design.

1 Claim, 4 Drawing Sheets

- (56) **References Cited**
U.S. PATENT DOCUMENTS
2,618,057 A 11/1952 Gibson
2,783,536 A 3/1957 McQueary



(56)

References Cited

U.S. PATENT DOCUMENTS

5,915,793 A	6/1999	Serpa					
D465,542 S	11/2002	Bloch					
7,434,316 B2	10/2008	Nenadic					
D636,052 S *	4/2011	Freeman	D22/118	* cited by examiner		
						D709,982 S *	7/2014 Freeman D22/118
						D741,680 S *	10/2015 Hunter D8/99
						D750,949 S *	3/2016 Hofman D8/104
						2006/0080840 A1 *	4/2006 Freeman B26B 3/06 30/151

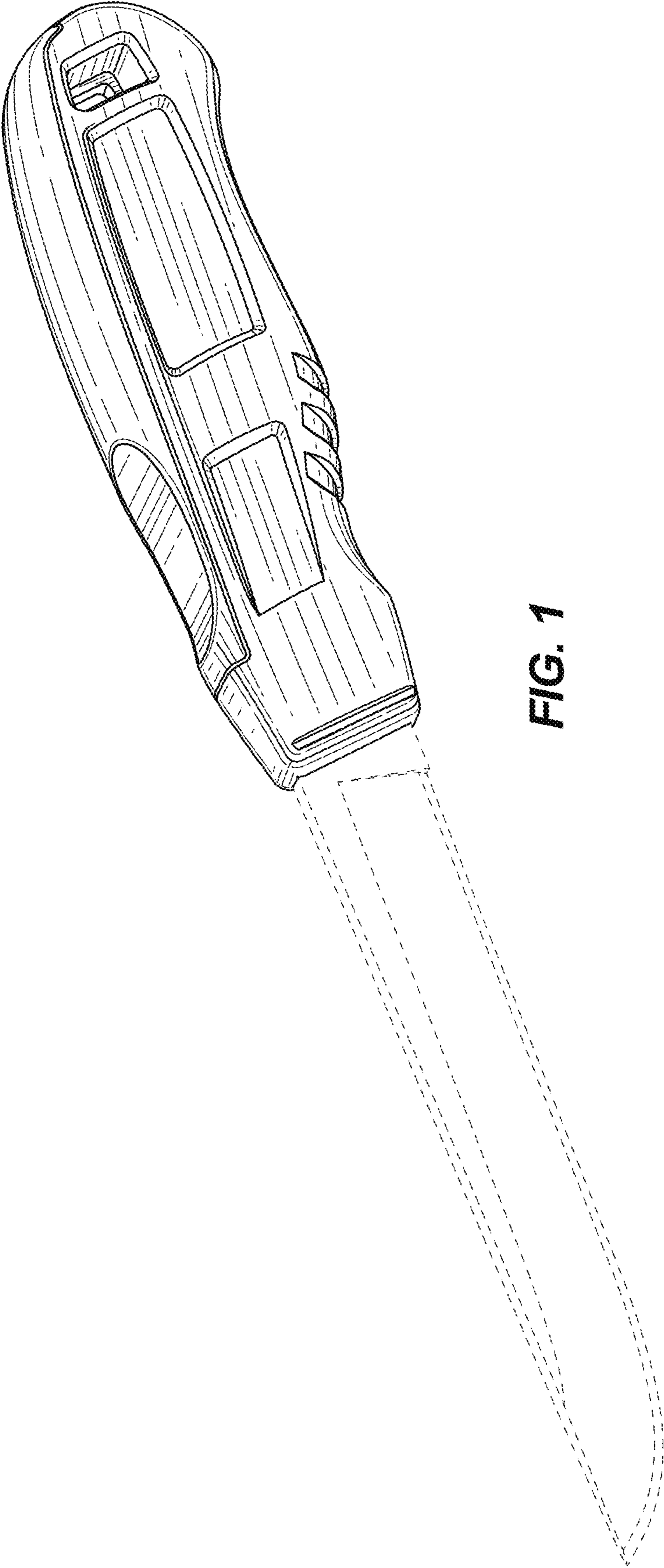


FIG. 1

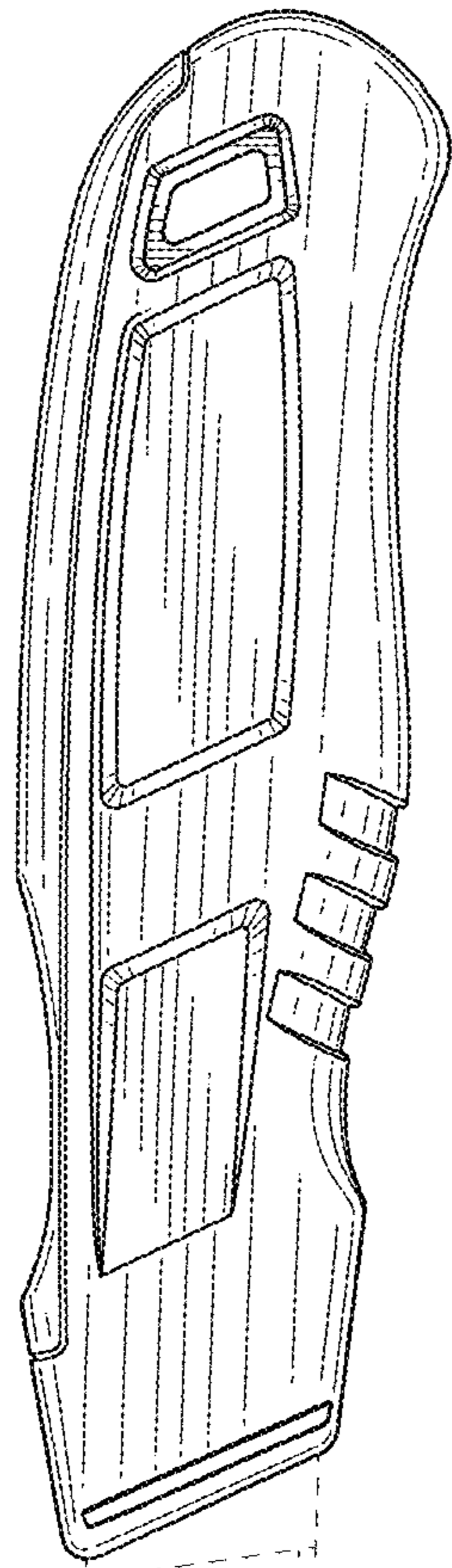


FIG. 2

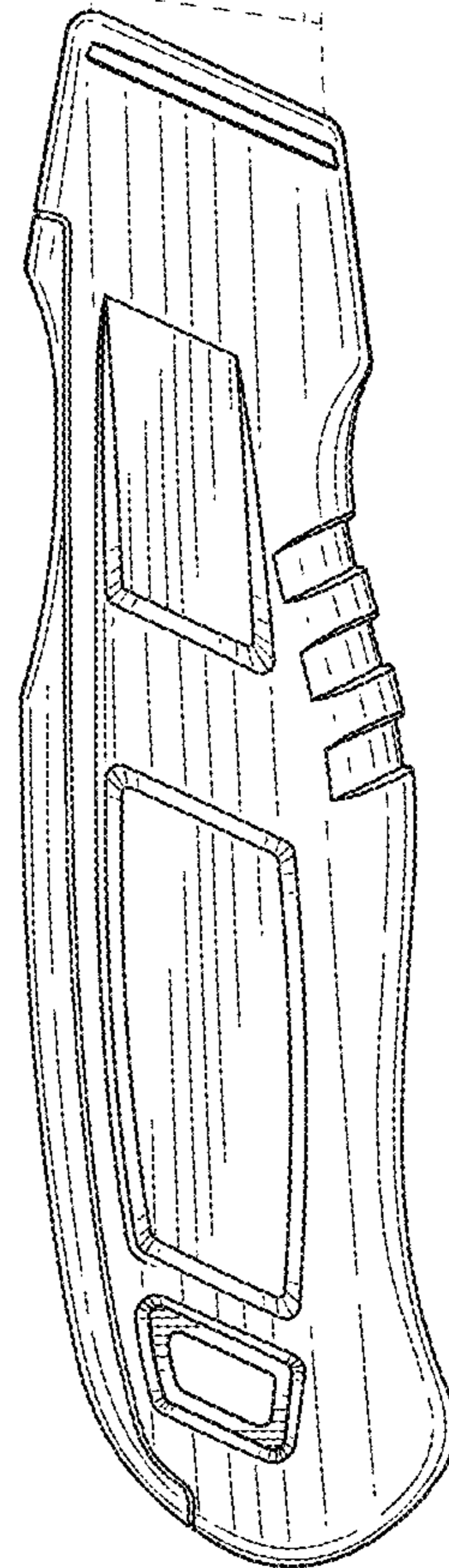
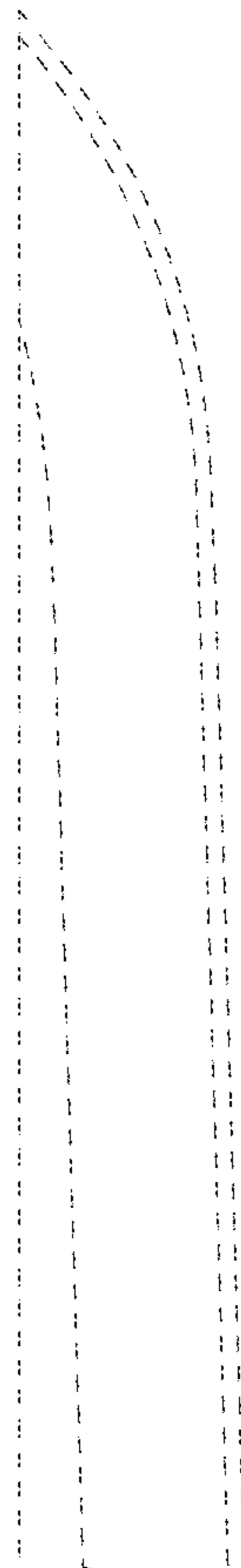
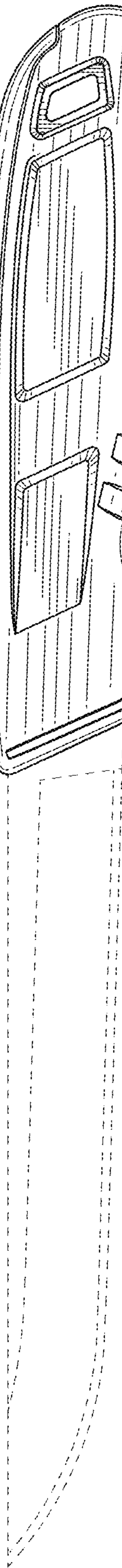


FIG. 3



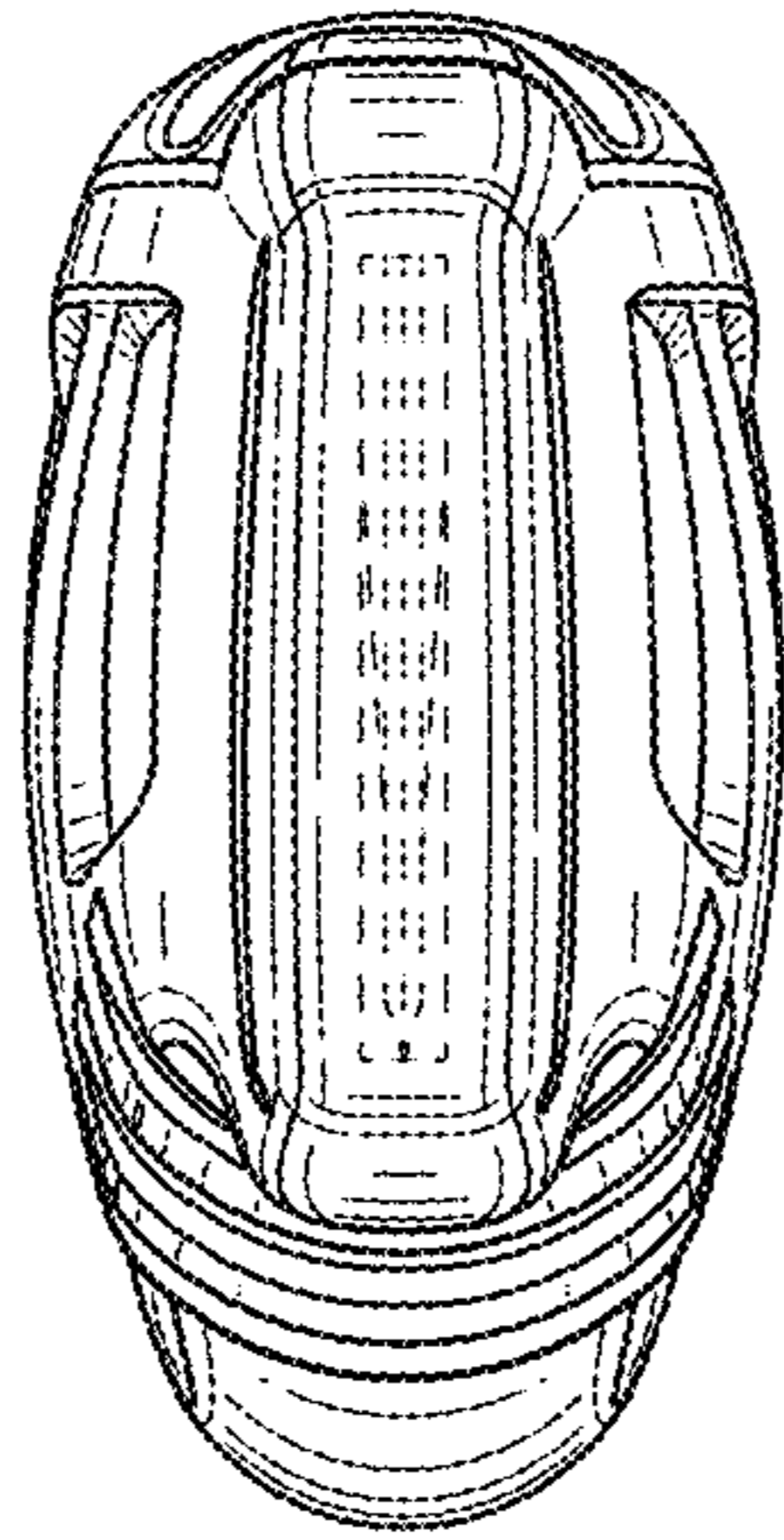


FIG. 4

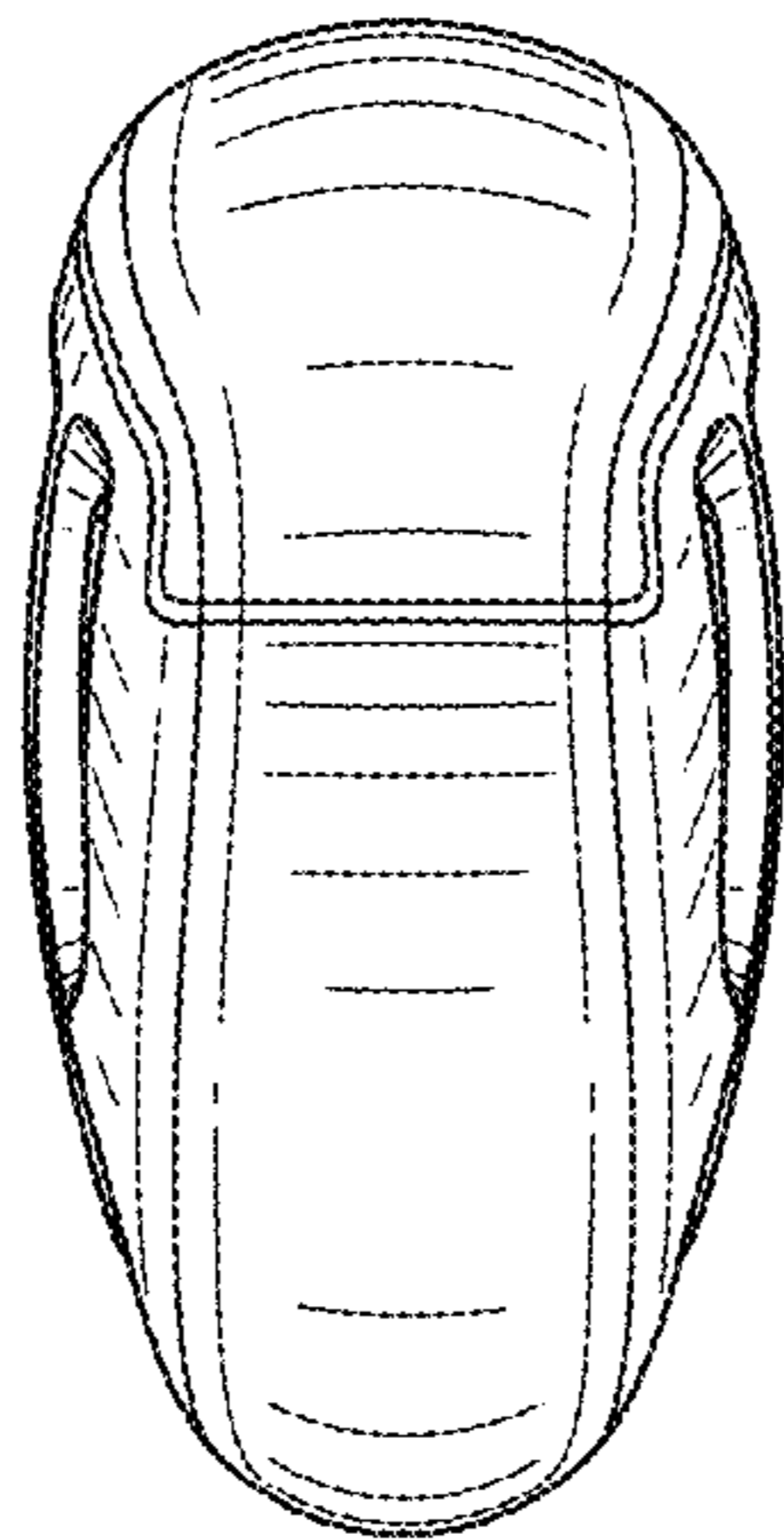


FIG. 5

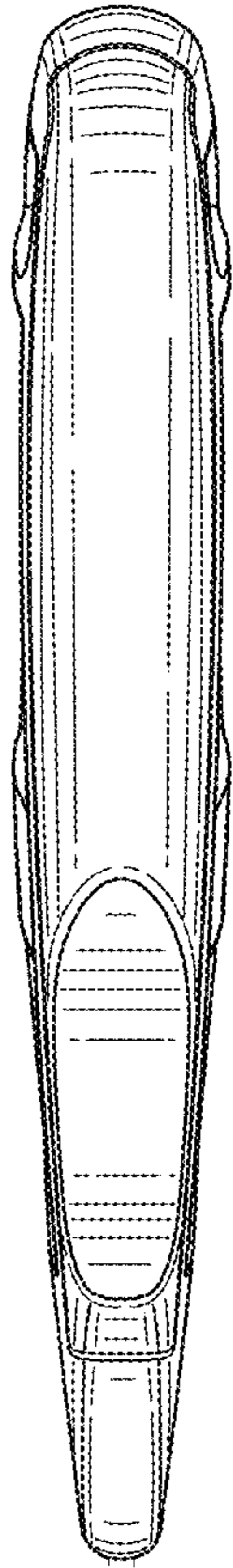


FIG. 6

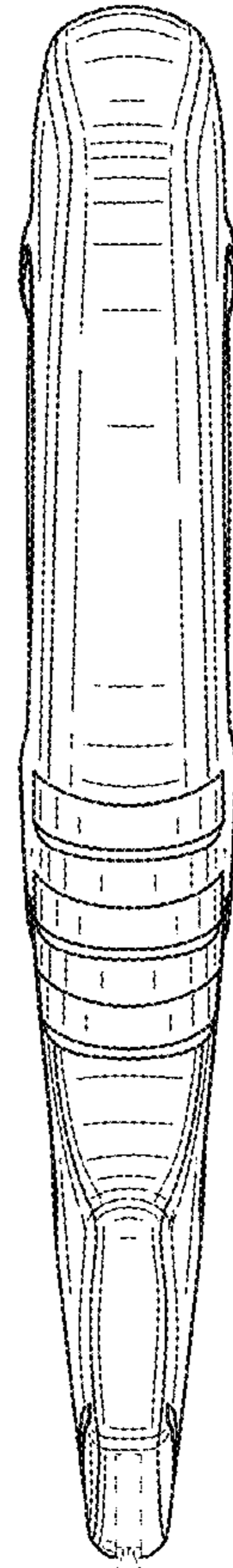


FIG. 7