



US00D772004S

(12) **United States Design Patent** (10) **Patent No.:** **US D772,004 S**
Khan (45) **Date of Patent:** **** Nov. 22, 2016**

(54) **WINE AERATOR**
(71) Applicant: **Farhan Khan**, Sanford, FL (US)
(72) Inventor: **Farhan Khan**, Sanford, FL (US)
(**) Term: **15 Years**
(21) Appl. No.: **29/528,537**
(22) Filed: **May 29, 2015**
(51) **LOC (10) Cl.** **07-99**
(52) **U.S. Cl.**
USPC **D7/398; D7/397**
(58) **Field of Classification Search**
USPC D7/400, 399, 397, 213, 387, 398, 392.2,
D7/700, 392, 667, 315, 396.2; D9/440,
D9/439; 99/323.1, 275, 277.1; 261/76,
261/110, 30; 222/190, 450, 189.06, 476,
222/479; 426/474; 141/344; D23/209
CPC B01F 3/04751; B01F 5/0413
See application file for complete search history.

D562,627 S * 2/2008 McDonald D7/387
D604,560 S * 11/2009 Priest D7/507
D619,431 S * 7/2010 Wax D7/700
D640,904 S * 7/2011 Wax D7/700
D660,078 S * 5/2012 Kehoe D7/213
D663,593 S * 7/2012 Huynh D7/397
8,430,023 B2 * 4/2013 Hynes B01F 3/04751
99/277.1
D687,266 S * 8/2013 Cloutier D7/667
8,590,865 B2 * 11/2013 Heyman B01F 5/043
261/111
D697,170 S * 1/2014 Bradford D23/209
D712,199 S * 9/2014 Borden D7/397
D720,959 S * 1/2015 Mok D7/392

* cited by examiner

Primary Examiner — Marianne Pandozzi
(74) *Attorney, Agent, or Firm* — Matthew G. McKinney,
Esq.; Allen, Dyer, Doppelt, Milbrath & Gilchrist, P.A.

(57) **CLAIM**
The ornamental design for a wine aerator, as shown and described.

DESCRIPTION

FIG. 1 is a front view of a wine aerator, the rear view being identical;
FIG. 2 is a right side view of the wine aerator, the left side view being identical;
FIG. 3 is a top view of the wine aerator; and,
FIG. 4 is a bottom view of the wine aerator.

1 Claim, 2 Drawing Sheets

(56) **References Cited**
U.S. PATENT DOCUMENTS
D334,120 S * 3/1993 Faught D7/700
6,595,109 B2 * 7/2003 Liebmann, Jr. B65B 31/046
141/59
D499,315 S * 12/2004 Settele D7/700
D558,516 S * 1/2008 Bulala D7/387

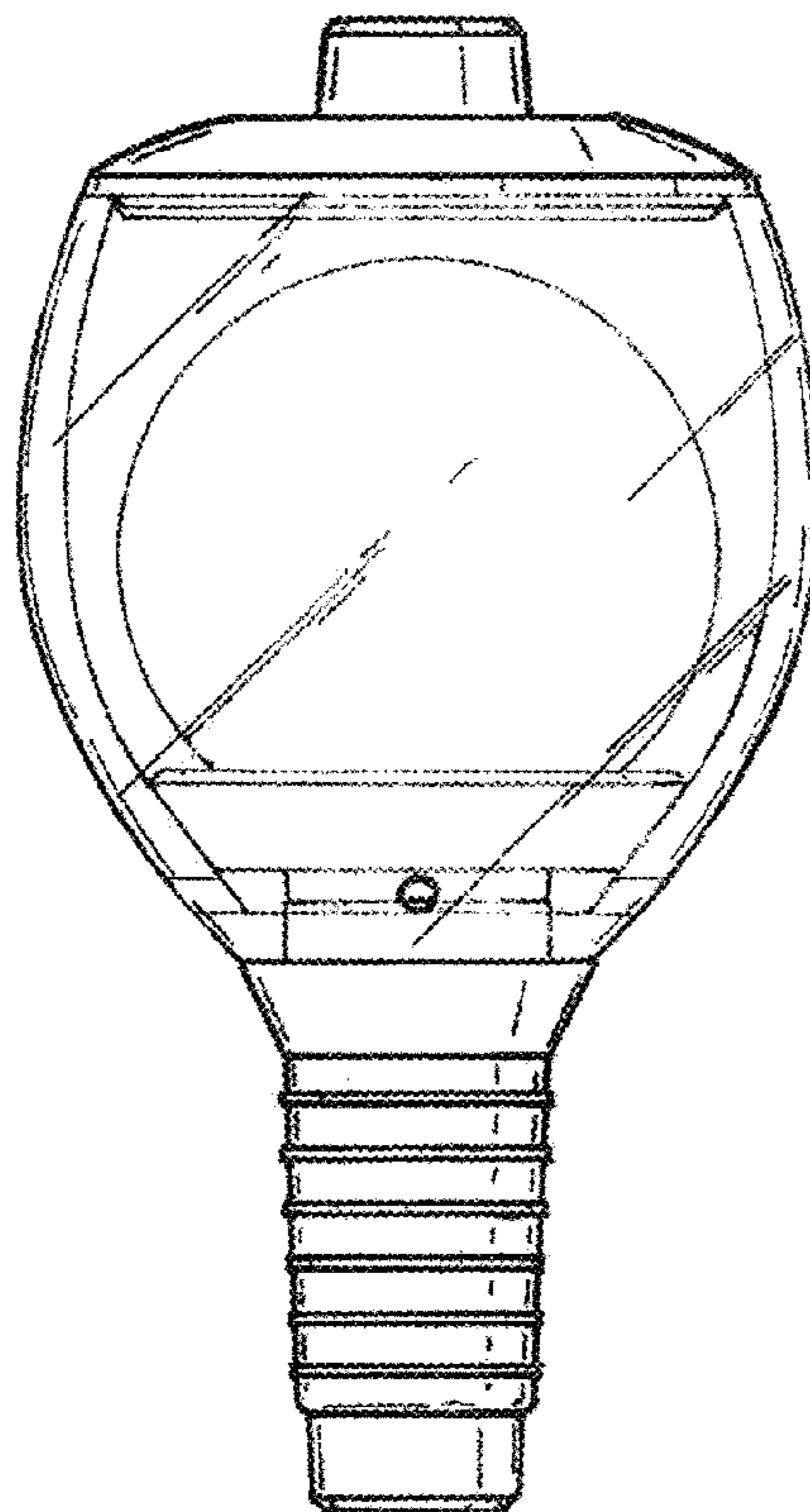


FIG. 1

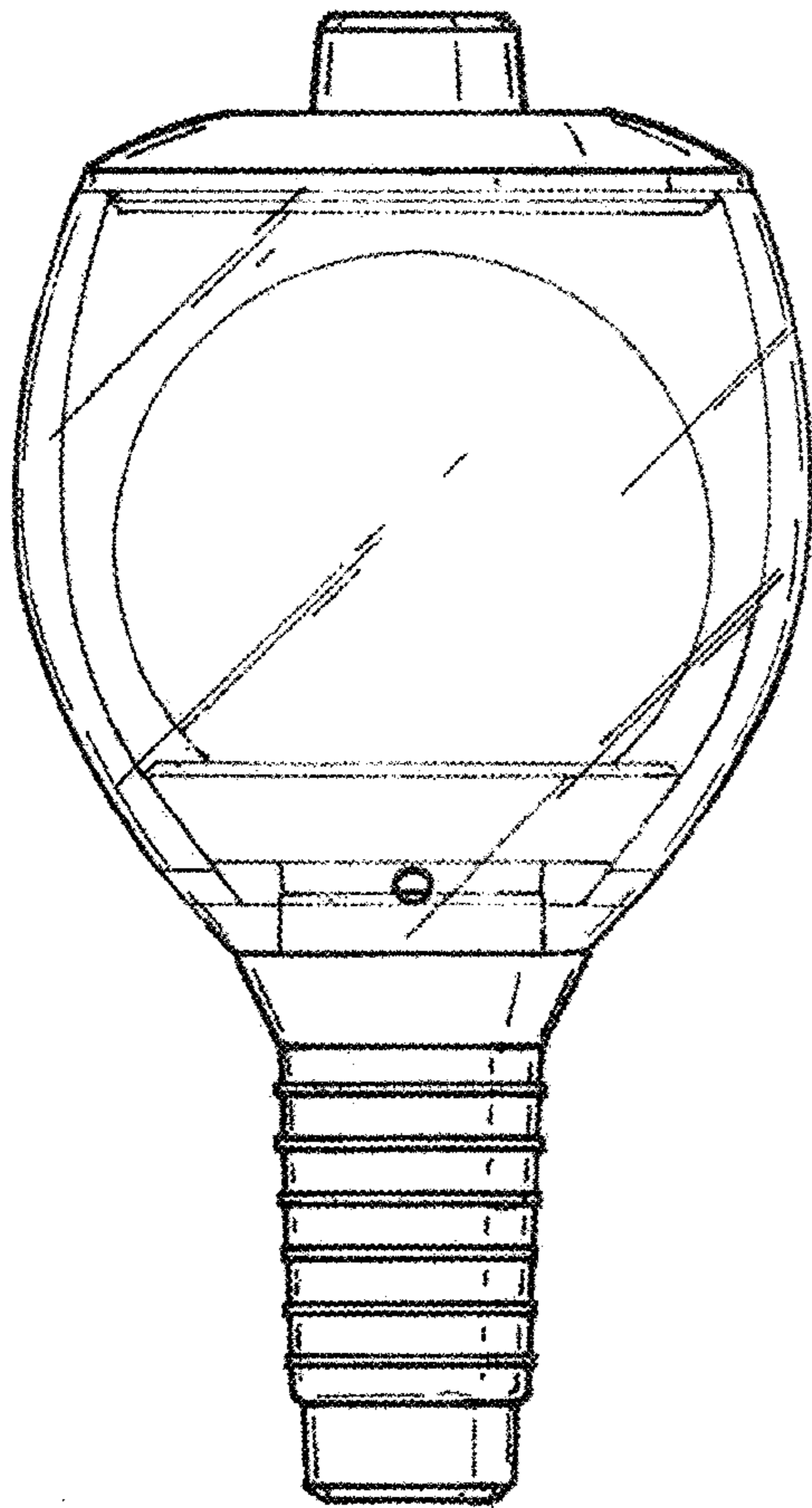


FIG. 2

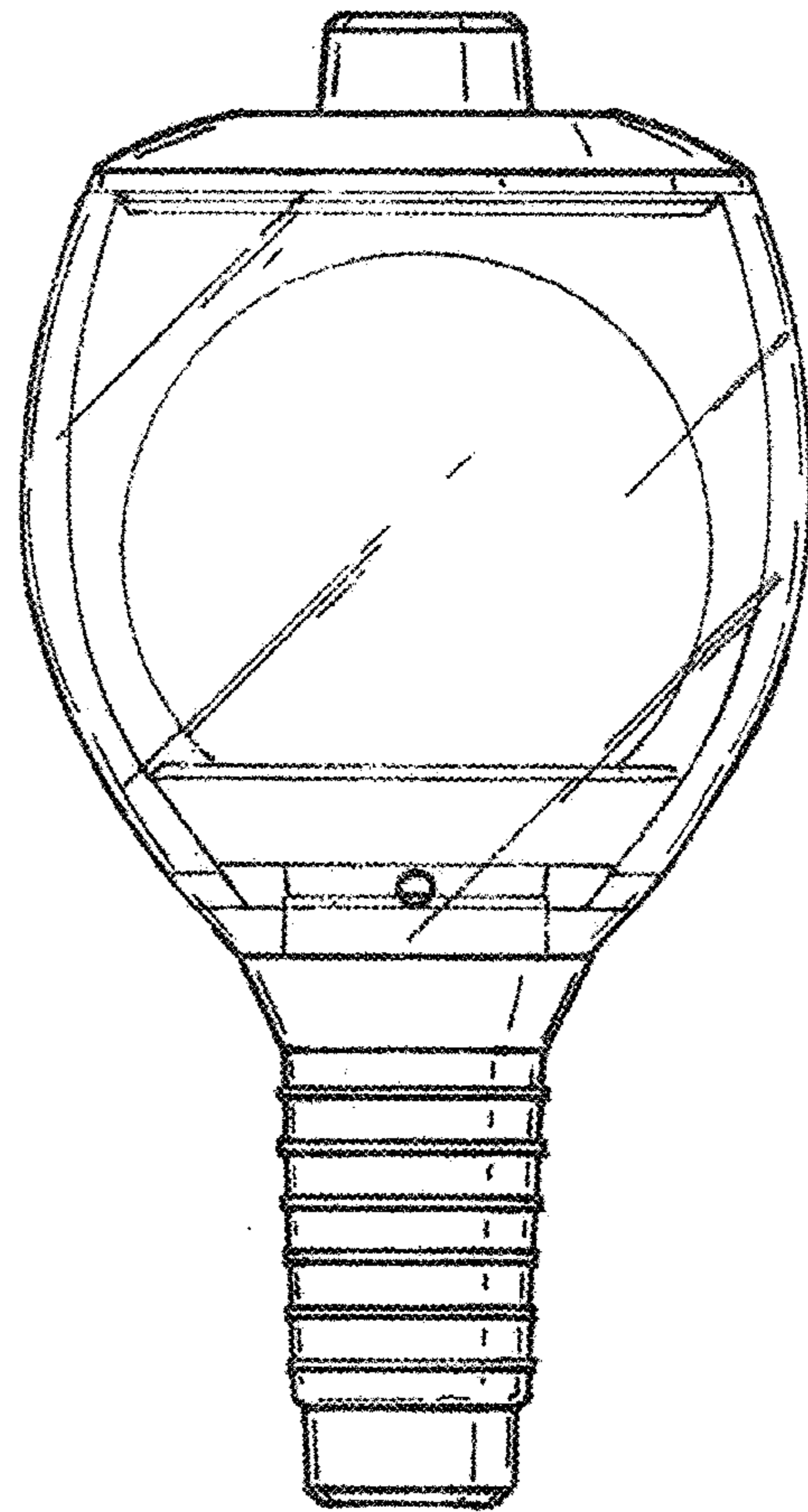


FIG. 3

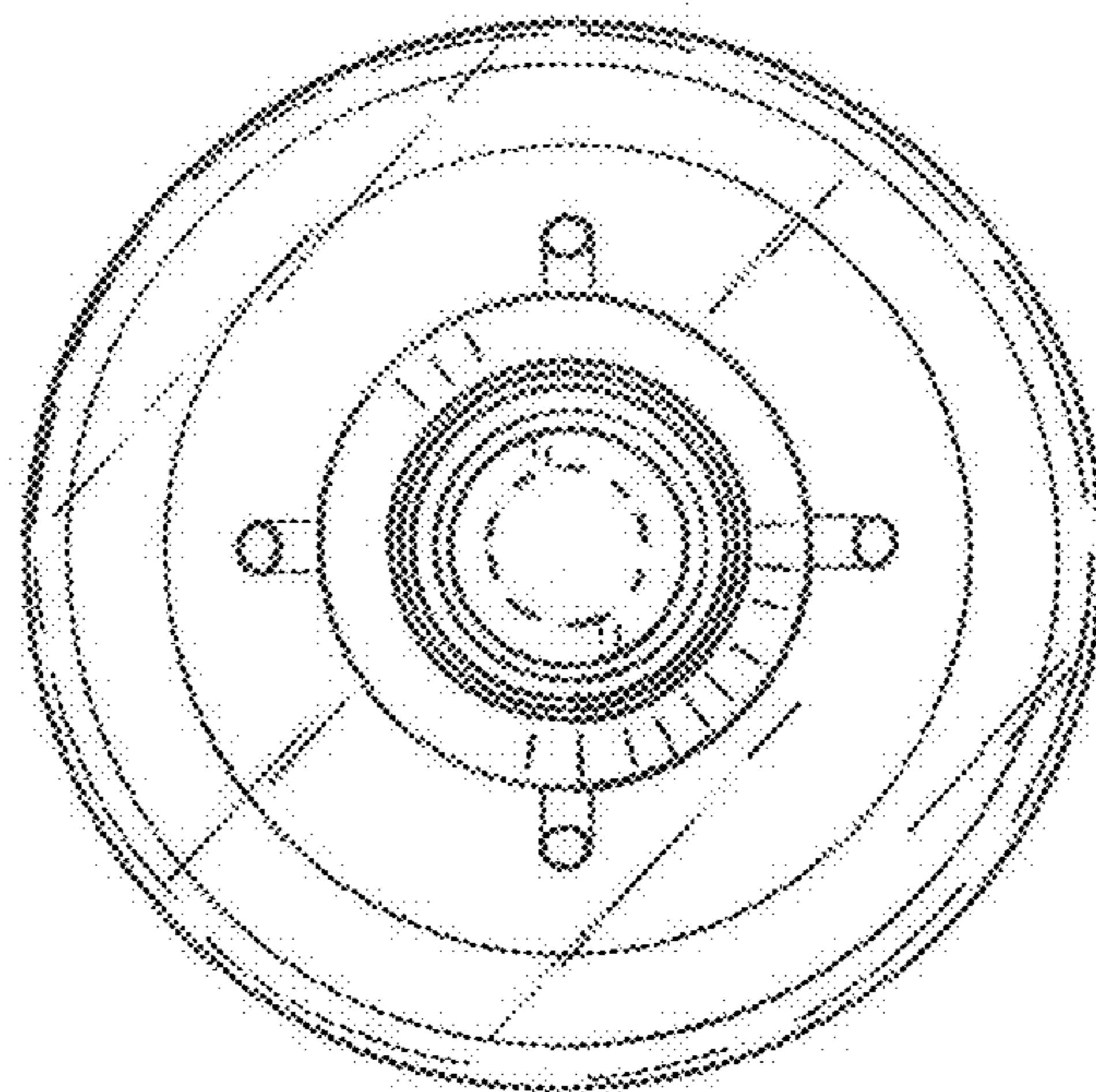
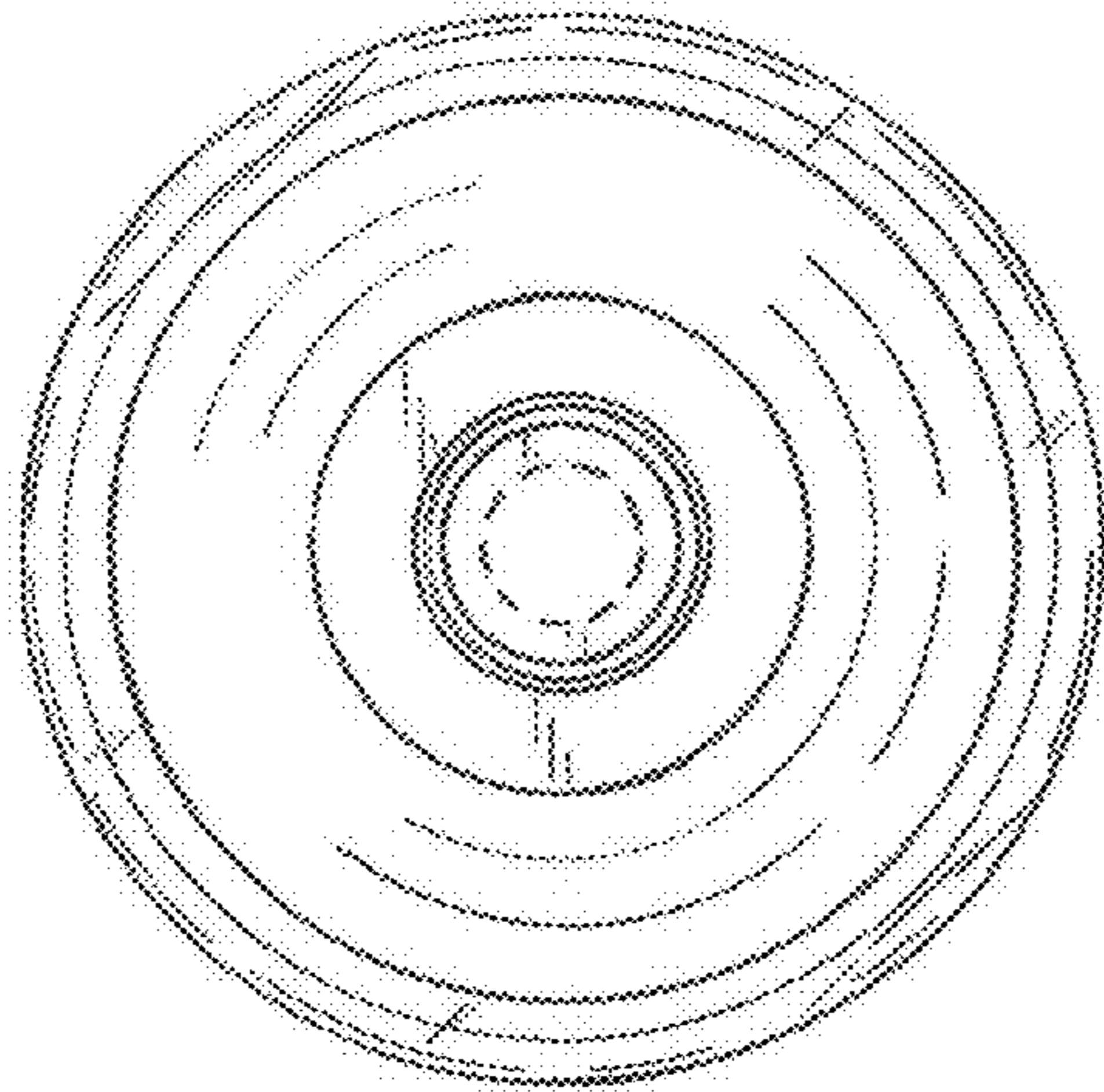


FIG. 4