



US00D772002S

(12) **United States Design Patent** (10) **Patent No.:** **US D772,002 S**
Affatato et al. (45) **Date of Patent:** **** *Nov. 22, 2016**

(54) **STEAMER CONTAINER LID**
(71) Applicant: **CNA International Inc.**, Wood Dale, IL (US)
(72) Inventors: **Kristin Marie Affatato**, Elmhurst, IL (US); **Steve Cho**, Chicago, IL (US); **Hyunchul Kim**, Chicago, IL (US); **Patrick Scott Nally**, Seattle, WA (US)
(73) Assignee: **CNA International Inc.**, Wood Dale, IL (US)
(*) Notice: This patent is subject to a terminal disclaimer.
(**) Term: **14 Years**
(21) Appl. No.: **29/519,657**
(22) Filed: **Mar. 6, 2015**
(51) **LOC (10) Cl.** **07-02**
(52) **U.S. Cl.**
USPC **D7/391; D7/354**
(58) **Field of Classification Search**
USPC D7/391, 392, 392.1, 393, 397, 601–602, D7/629–630, 538–542; D9/414, 424–432, D9/435, 451–454
CPC A47J 36/027; A47J 36/06; A47J 37/10; A47J 37/101; B65D 21/0209; B65D 43/00; B65D 43/02; B65D 43/0206; B65D 43/022; B65D 43/161; B65D 43/162; B65D 45/00; B65D 45/16; B65D 45/18; B65D 51/16; B65D 51/1683; B65D 51/1688; B65D 51/1694; B65D 2251/00; B65D 21/0223; B65D 43/021; B65F 1/1615
See application file for complete search history.

(56) **References Cited**
U.S. PATENT DOCUMENTS
3,485,163 A 12/1969 Arita
D272,595 S 2/1984 Chase
4,574,776 A 3/1986 Hidle
4,626,352 A 12/1986 Massey et al.

(Continued)

FOREIGN PATENT DOCUMENTS

CN 2464213 12/2001

OTHER PUBLICATIONS

Pyrex No-Leak System, <http://www.pyrexware.com/pyrex-no-leak>, at least as early as Jul. 1, 2014.

(Continued)

Primary Examiner — Ricky Pham

(74) *Attorney, Agent, or Firm* — McDermott Will & Emery LLP

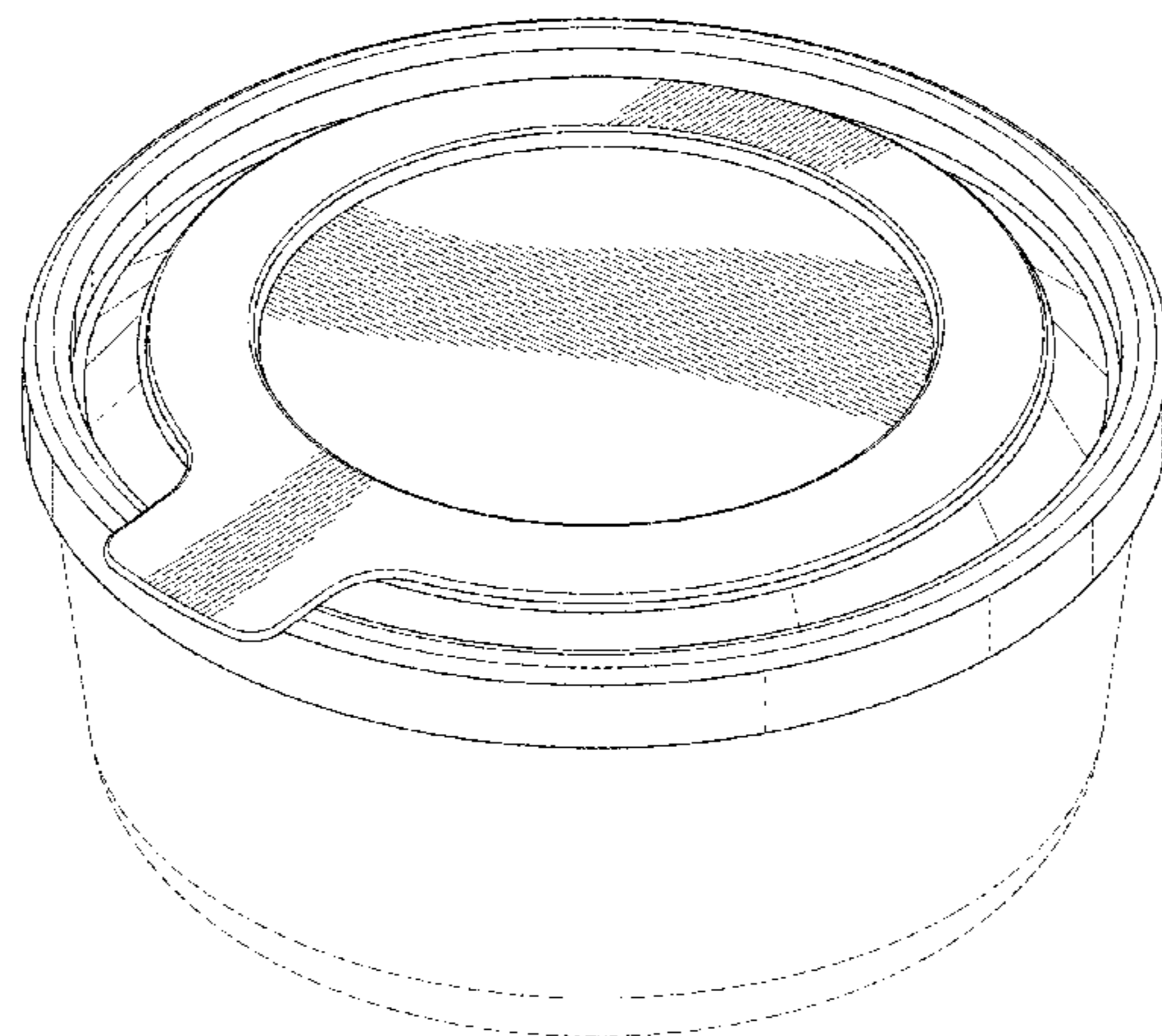
(57) **CLAIM**

We claim the ornamental design for a steamer container lid, as shown and described.

DESCRIPTION

FIG. 1 is a front top perspective view of a steamer container lid according to the new design.
FIG. 2 is a rear bottom perspective view of the steamer container lid shown in FIG. 1.
FIG. 3 is a right side view of the steamer container lid shown in FIG. 1.
FIG. 4 is a left side view of the steamer container lid shown in FIG. 1.
FIG. 5 is a front view of the steamer container lid shown in FIG. 1.
FIG. 6 is a back view of the steamer container lid shown in FIG. 1.
FIG. 7 is a top view of the steamer container lid shown in FIG. 1; and,
FIG. 8 is a bottom view of the steamer container lid shown in FIG. 1.
Features shown in broken lines in the drawings are not part of the claim.

1 Claim, 8 Drawing Sheets



(56)

References Cited

U.S. PATENT DOCUMENTS

D326,797 S * 6/1992 Pomroy D7/354
 5,195,424 A 3/1993 Guajaca
 D339,958 S * 10/1993 Olsen D7/392.1
 5,363,978 A 11/1994 Molo
 D360,105 S * 7/1995 Doxey D7/391
 D373,704 S * 9/1996 Doxey D7/391
 D381,268 S * 7/1997 Rush D9/452
 5,750,967 A 5/1998 Sprauer, Jr.
 5,931,333 A 8/1999 Woodnorth et al.
 D415,652 S * 10/1999 Loew D7/392.1
 D416,754 S * 11/1999 Laib D7/391
 D417,817 S * 12/1999 Loew D7/392.1
 D419,829 S * 2/2000 Wilson D7/629
 D422,176 S * 4/2000 Laib D7/391
 D445,687 S * 7/2001 Gilbertson D7/392.1
 D466,364 S * 12/2002 Demore D7/391
 D476,861 S * 7/2003 Zettle D7/538
 D490,278 S 5/2004 Welsh
 D505,839 S 6/2005 Stanos
 6,952,000 B2 10/2005 Ohyama
 D523,296 S * 6/2006 Kim D7/629
 7,131,550 B2 11/2006 Vilalta et al.
 D536,571 S 2/2007 Kim
 D537,300 S * 2/2007 Kim D7/542
 D543,077 S * 5/2007 Kim D7/629
 D544,762 S 6/2007 Zimmerman
 D566,483 S * 4/2008 Tucker D7/542
 D568,693 S 5/2008 Furlong
 D575,114 S * 8/2008 Moghavem D7/629
 D575,115 S * 8/2008 Zimmerman D7/629
 D585,699 S * 2/2009 Furlong D7/392.1
 D606,813 S * 12/2009 Kim D7/629
 D611,807 S 3/2010 Miga, Jr.
 D612,196 S * 3/2010 Furlong D7/392.1
 D613,111 S * 4/2010 Furlong D7/392.1
 D615,349 S * 5/2010 Furlong D7/392.1
 7,726,483 B2 * 6/2010 Ramanujam B65D 21/0223
 206/499
 D621,667 S * 8/2010 Ablo D7/629
 D633,757 S * 3/2011 Smyers D7/629
 D660,092 S 5/2012 Kyung
 D673,807 S * 1/2013 Grider D7/391
 D676,276 S * 2/2013 Muspratt-Williams D7/392.1
 D677,159 S * 3/2013 Sina D7/392.1
 8,592,736 B2 11/2013 DiLorenzo et al.
 D698,199 S 1/2014 Yessin
 D705,593 S * 5/2014 Stamper D7/392.1
 8,729,438 B2 5/2014 Iwasaki
 D708,470 S * 7/2014 Heiberg D7/354
 8,850,964 B2 10/2014 Pawlick et al.
 8,866,056 B2 10/2014 Shapiro et al.
 D721,246 S * 1/2015 Thurin D7/392.1
 D723,339 S * 3/2015 Maxwell D7/629
 D730,127 S * 5/2015 Maxwell D7/629
 D735,524 S * 8/2015 Holding D7/392.1
 D742,224 S 11/2015 Thurin
 D751,335 S * 3/2016 Shirley D7/391
 9,340,334 B2 * 5/2016 DeSiena B65D 45/16
 2002/0060216 A1 5/2002 Chan
 2003/0116572 A1 6/2003 Klock et al.
 2004/0040961 A1 3/2004 Vilalta et al.

2004/0232026 A1 11/2004 Goeking et al.
 2009/0014443 A1 1/2009 Skaife
 2009/0026205 A1 1/2009 Moon
 2009/0107993 A1 4/2009 Ohyama
 2009/0200296 A1 8/2009 Iwasaki
 2011/0114638 A1 * 5/2011 Kettner B65D 43/021
 220/260
 2013/0284727 A1 10/2013 Tai
 2014/0042167 A1 2/2014 Lindsay et al.
 2014/0138376 A1 5/2014 Cheung
 2014/0224799 A1 8/2014 Iwasaki
 2014/0224823 A1 8/2014 Iwasaki

OTHER PUBLICATIONS

Anchor True-Seal System, http://anchorhocking.com/prod_208_truseal.html, at least as early as Jul. 1, 2014.
 NordicWare Essentials Microwave Cook Set, <https://www.amazon.com/Nordic-Ware-Microwave-6-Piece-Essentials/dp/B00008UA3K>, at least as early as Jul. 1, 2014.
 MicroBuddy (As Seen on TV), <https://www.seenontv.com/product/microbuddy>, at least as early as Jul. 1, 2014.
 Tupperware Heat n' Serve, <https://www.amazon.com/Tupperware-Heat-Serve-Containers-Bowls/dp/B004USS8SY>, at least as early as Jul. 1, 2014.
 Ziploc VersaGlass Containers, <http://www.walmart.com/ip/Ziploc-6pc-VersaGlass-Container-Variety-Pack/15819201>, at least as early as Jul. 1, 2014.
 Tupperware Clear Bowl, <https://www.amazon.com/TP-840-T177-Tupperware-Clear-Bowl-Slimline/dp/B00NV1QH3>. . . , at least as early as Jul. 1, 2014.
 Martha Stewart Collection, <http://www1.macys.com/shop/product/martha-stewart-collection-12-piece-glass-food-storage> . . . , at least as early as Jul. 1, 2014.
 Snapware Tempered Glasslock Storage Containers, <https://www.amazon.com/Snapware-Tempered-Glasslock-Containers-Microwave/dp/B008T> . . . , at least as early as Jul. 1, 2014.
 Rubbermaid Glass Containers, http://www.target.com/p/rubbermaid-10-pc-glass-food-storage-set/-/A-14051268?ref=tgt_ad . . . , at least as early as Jul. 1, 2014.
 NordicWare Microwave Steamer, https://www.nordicware.com/store/product_detail/vegetable-seafood-steamer, at least as early as Jul. 1, 2014.
 Progressive MiracleWare Fish and Vegetable Steamer, <http://progressiveintl.com/products/microwave-fish-and-veggie-steamer>, at least as early as Jul. 1, 2014.
 Sistema Oatmeal Maker, <http://sistemaplastics.com/products/microwave/Breakfast-Bowl>, at least as early as Jul. 1, 2014.
 Sistema Steamer, <http://sistemaplastics.com/products/microwave/large-microwave-steamer>, at least as early as Jul. 1, 2014.
 NordicWare Microwave Bacon Rack, <http://www.walmart.com/ip/Nordic-Ware-Reversible-Microwave-Bacon-Rack/14913043?w> . . . , at least as early as Jul. 1, 2014.
 NordicWare Popcorn Popper, https://www.nordicware.com/store/product_detail/microwave-popcorn-popper, at least as early as Jul. 1, 2014.
 Progressive Microwave Grill, <http://progressiveintl.com/products/large-microwave-grill>, at least as early as Jul. 1, 2014.
 International Search Report for related International Application No. PCT/US2016/020968, mailed May 2, 2016.

* cited by examiner

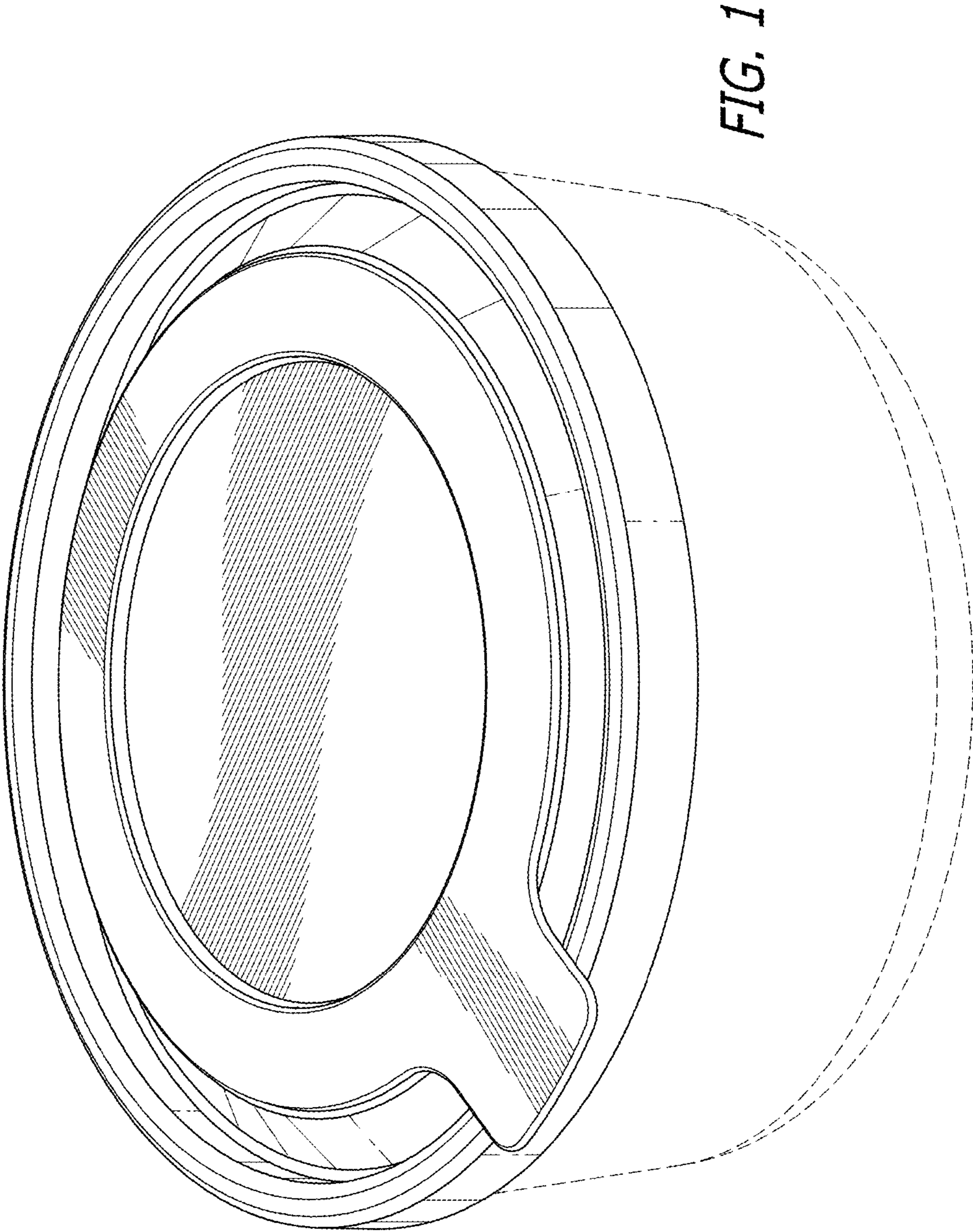


FIG. 1

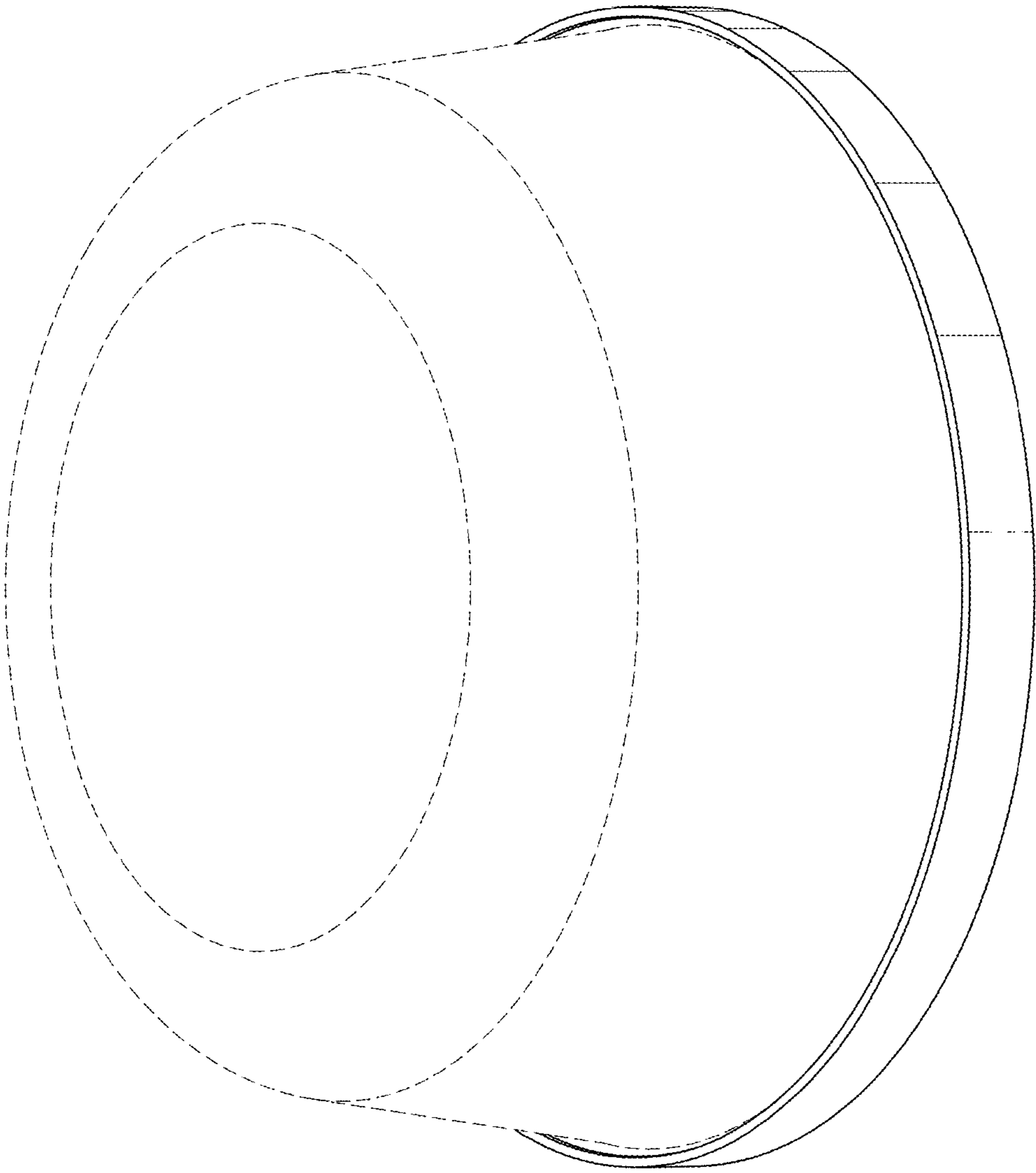


FIG. 2

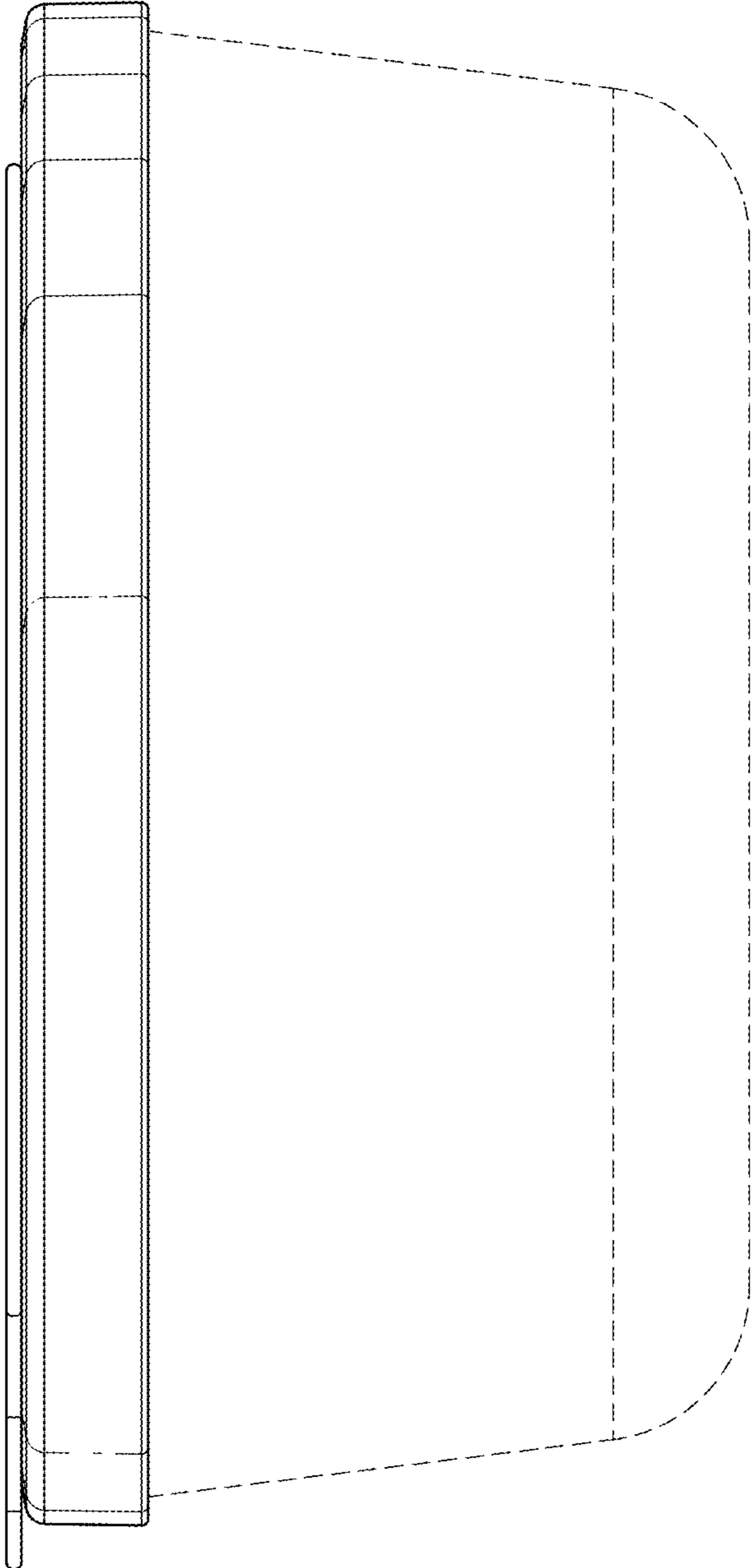


FIG. 3

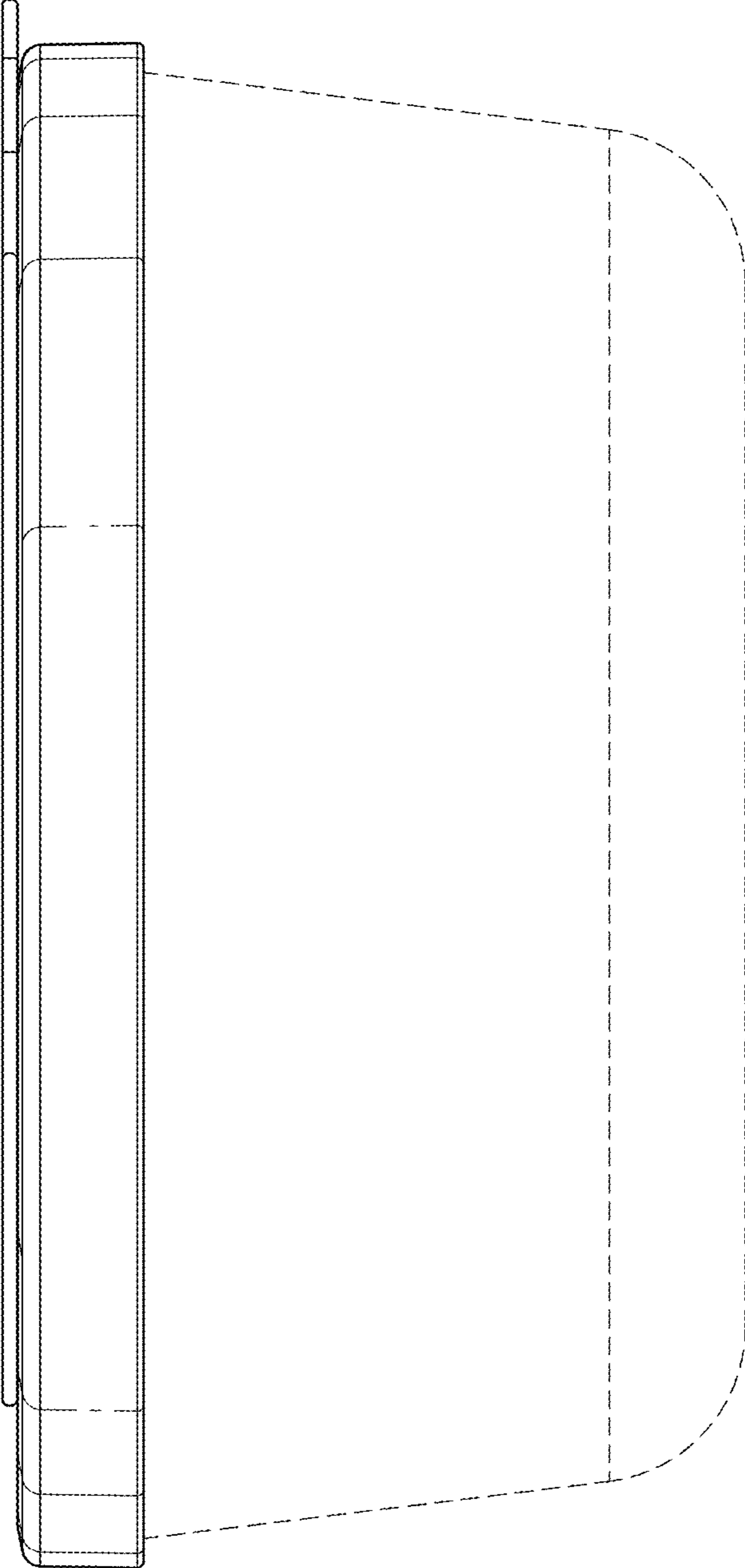


FIG. 4

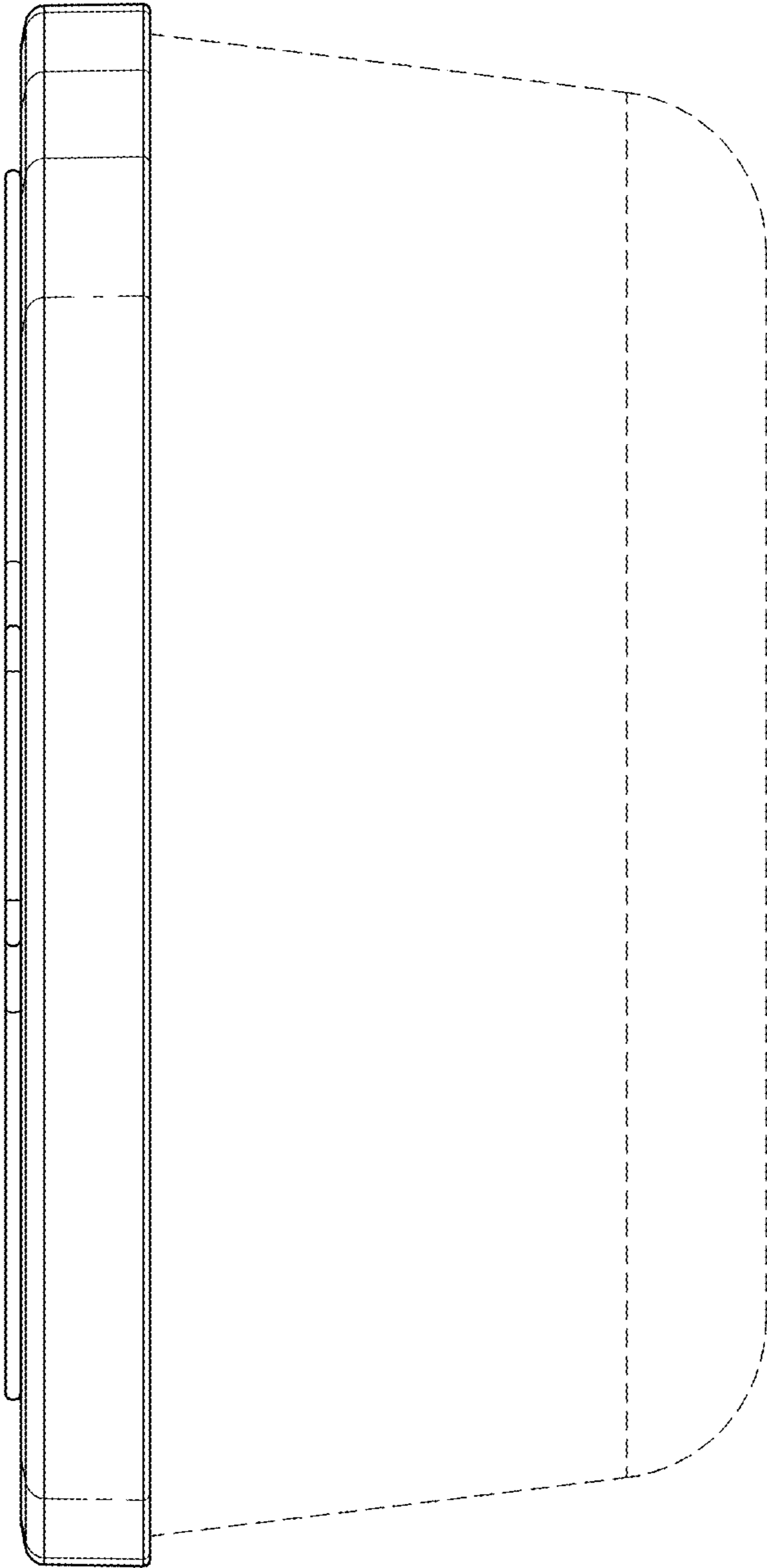


FIG. 5

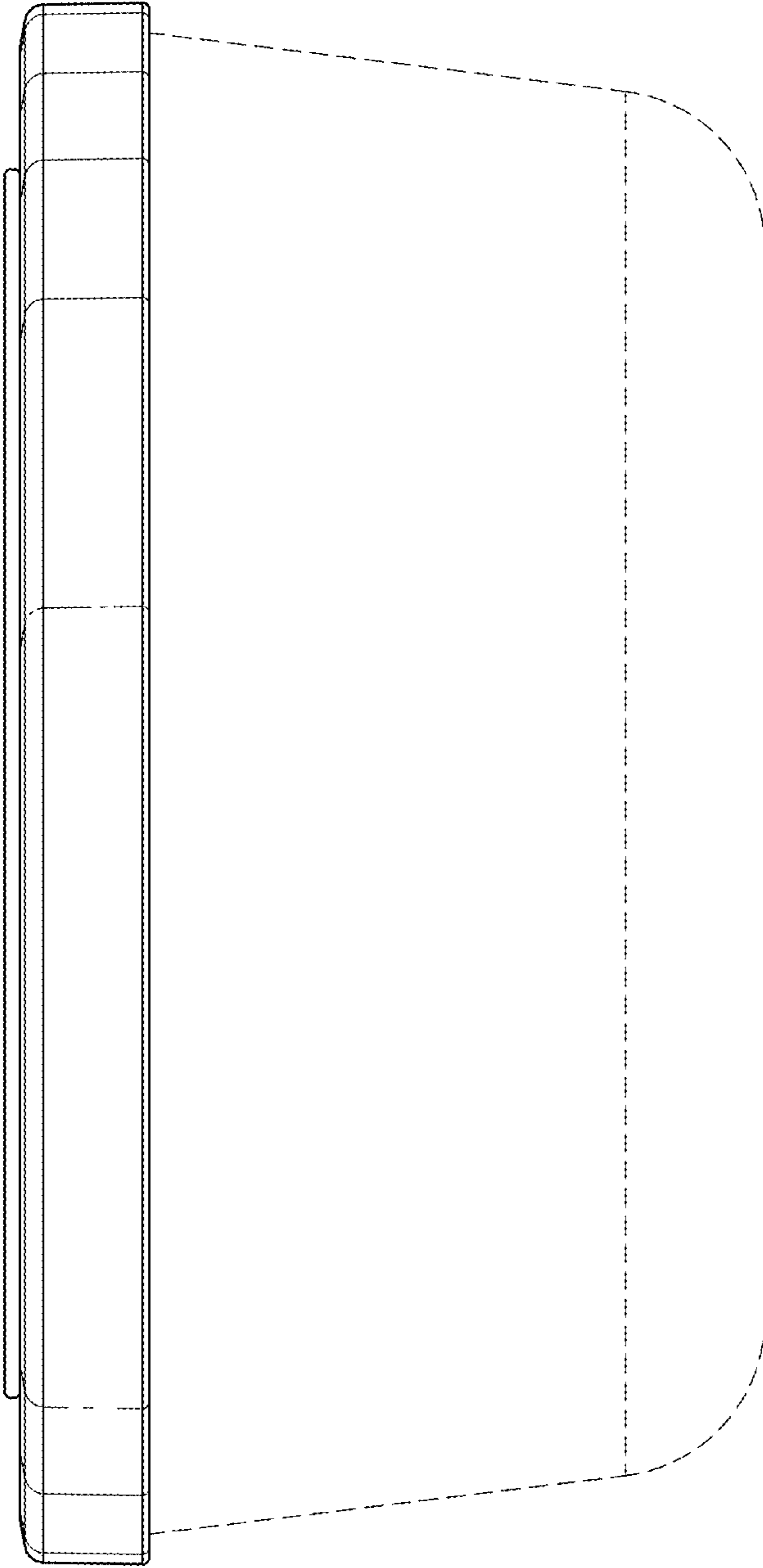
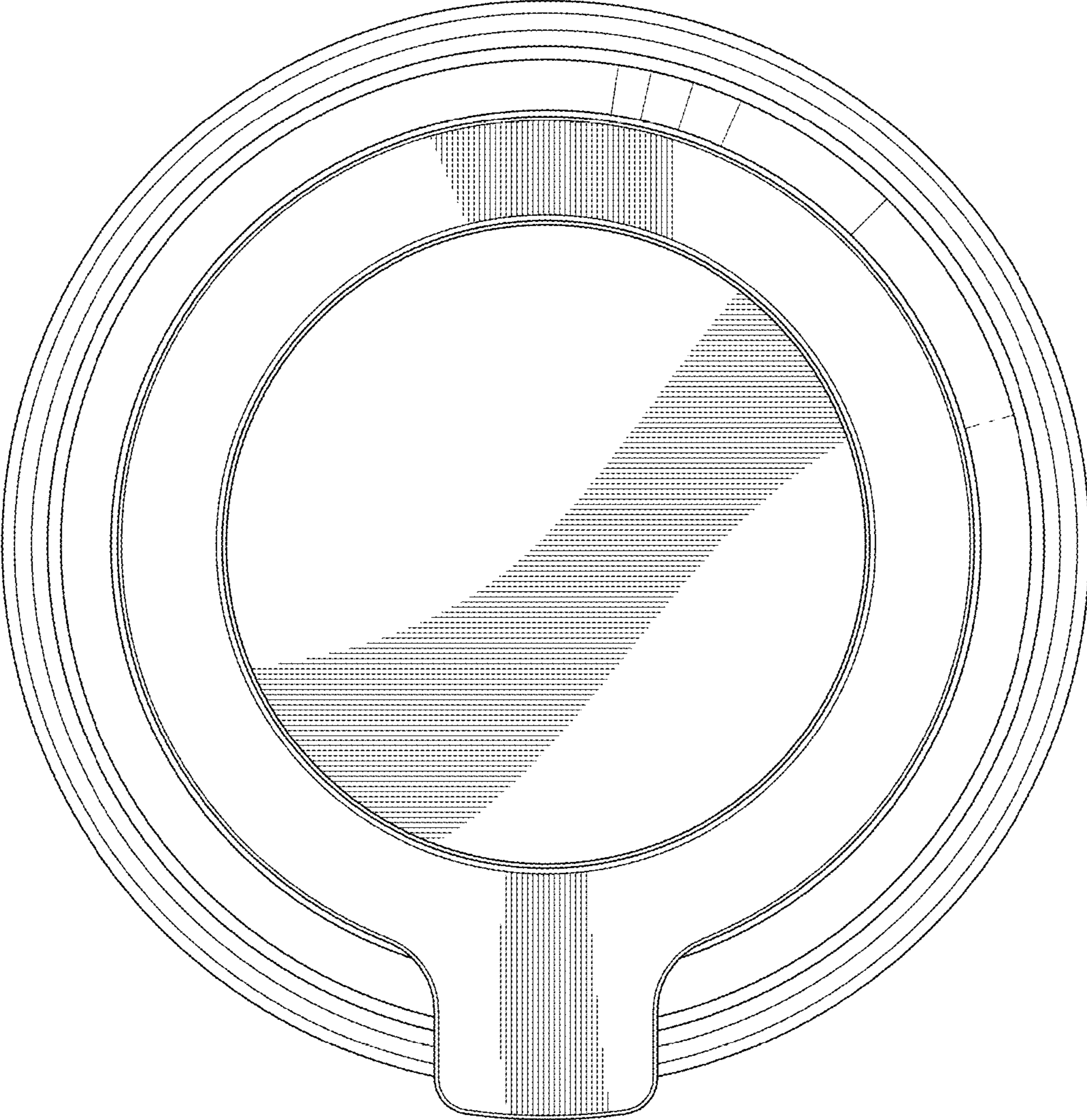


FIG. 6

FIG. 7



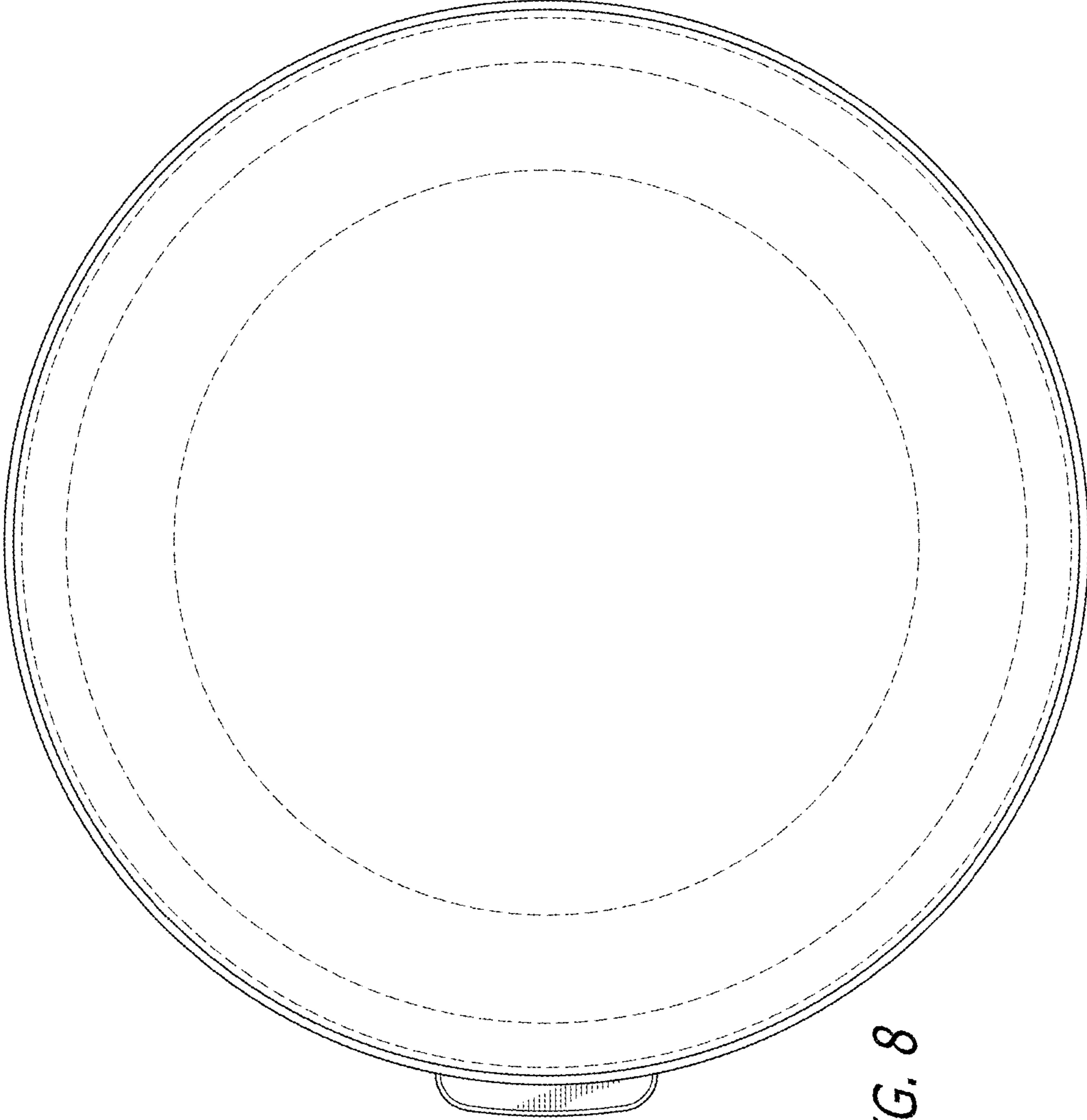


FIG. 8