



US00D772000S

(12) **United States Design Patent** (10) **Patent No.:** **US D772,000 S**
Palermo (45) **Date of Patent:** **** Nov. 22, 2016**

(54) **BLENDING APPLIANCE**

(56) **References Cited**

(71) Applicant: **Sunbeam Products, Inc.**, Boca Raton, FL (US)

U.S. PATENT DOCUMENTS

(72) Inventor: **Joseph Palermo**, Boynton Beach, FL (US)

D121,136 S *	6/1940	Benson	D7/378
2,924,349 A *	2/1960	Huck	A47J 43/046
				215/382
3,064,949 A *	11/1962	Dewenter	A47J 43/046
				241/195
D465,127 S *	11/2002	Lee	D7/378
D479,666 S *	9/2003	Barker	D7/378
D556,505 S *	12/2007	Wu	D7/378
D580,986 S *	11/2008	Farnworth	D19/73
D621,206 S *	8/2010	Matta	D7/372
D629,643 S *	12/2010	Bower	D7/376
D669,304 S *	10/2012	Bock	D7/376
D746,629 S *	1/2016	Ji	D7/376
D747,915 S *	1/2016	Kim	D7/372

(73) Assignee: **Sunbeam Products, Inc.**, Boca Raton, FL (US)

(**) Term: **15 Years**

(21) Appl. No.: **29/529,758**

(22) Filed: **Jun. 10, 2015**

* cited by examiner

(51) **LOC (10) Cl.** **31-00**

Primary Examiner — Ricky Pham

(52) **U.S. Cl.**

(74) *Attorney, Agent, or Firm* — Michael J. Corrigan

USPC **D7/386**; D7/376; D7/378; D7/412

(58) **Field of Classification Search**

(57) **CLAIM**

USPC D7/372, 376–386, 412–413, 602, 629, D7/665–666, 669, 679, 693–694; D19/73

The ornamental design for a blending appliance, as shown and described.

CPC A21C 1/02; A21C 1/04; A23N 1/00; A23N 1/02; A47J 43/04; A47J 43/25; A47J 43/27; A47J 43/042; A47J 43/044; A47J 43/046; A47J 43/075; A47J 43/0722; A47J 43/0727; B01F 3/00; B01F 3/0807; B01F 3/0853; B01F 13/0059; B01F 13/0064; B02C 1/08; B02C 2/04; B02C 4/42; B02C 4/142; B02C 4/143; B02C 4/423; B02C 13/1835; B28C 5/10; B28C 5/12; B28C 5/14; B28C 5/16

DESCRIPTION

FIG. 1 is a front perspective view of the blending appliance; FIG. 2 is a front view thereof; FIG. 3 is a rear view thereof; FIG. 4 is side view thereof; and FIG. 5 is an opposite side thereof; and, FIG. 6 is a top view thereof.

The portion shown in dashed lines is shown for illustrative purposes only and forms no part of the claimed design.

See application file for complete search history.

1 Claim, 3 Drawing Sheets

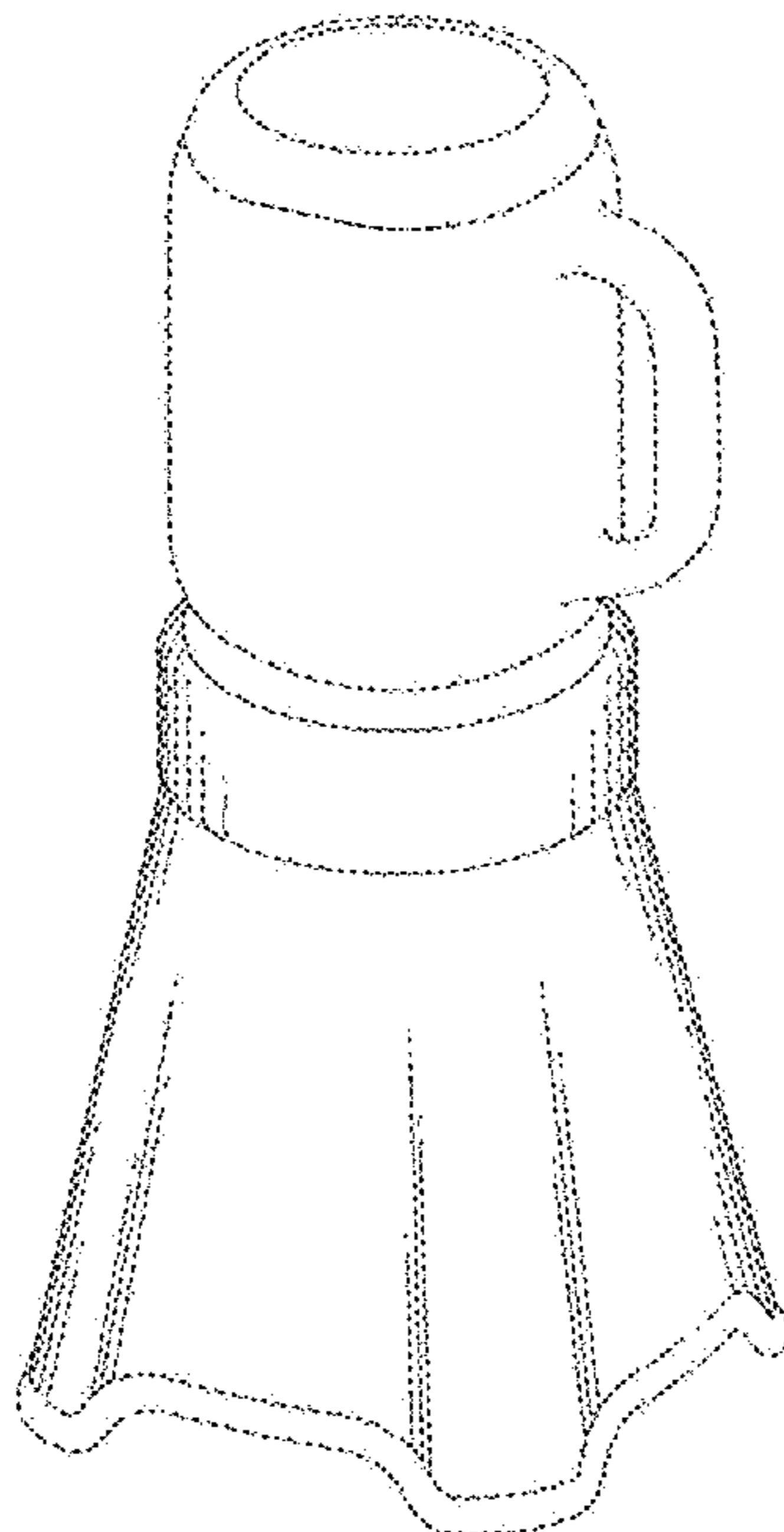


FIG. 1

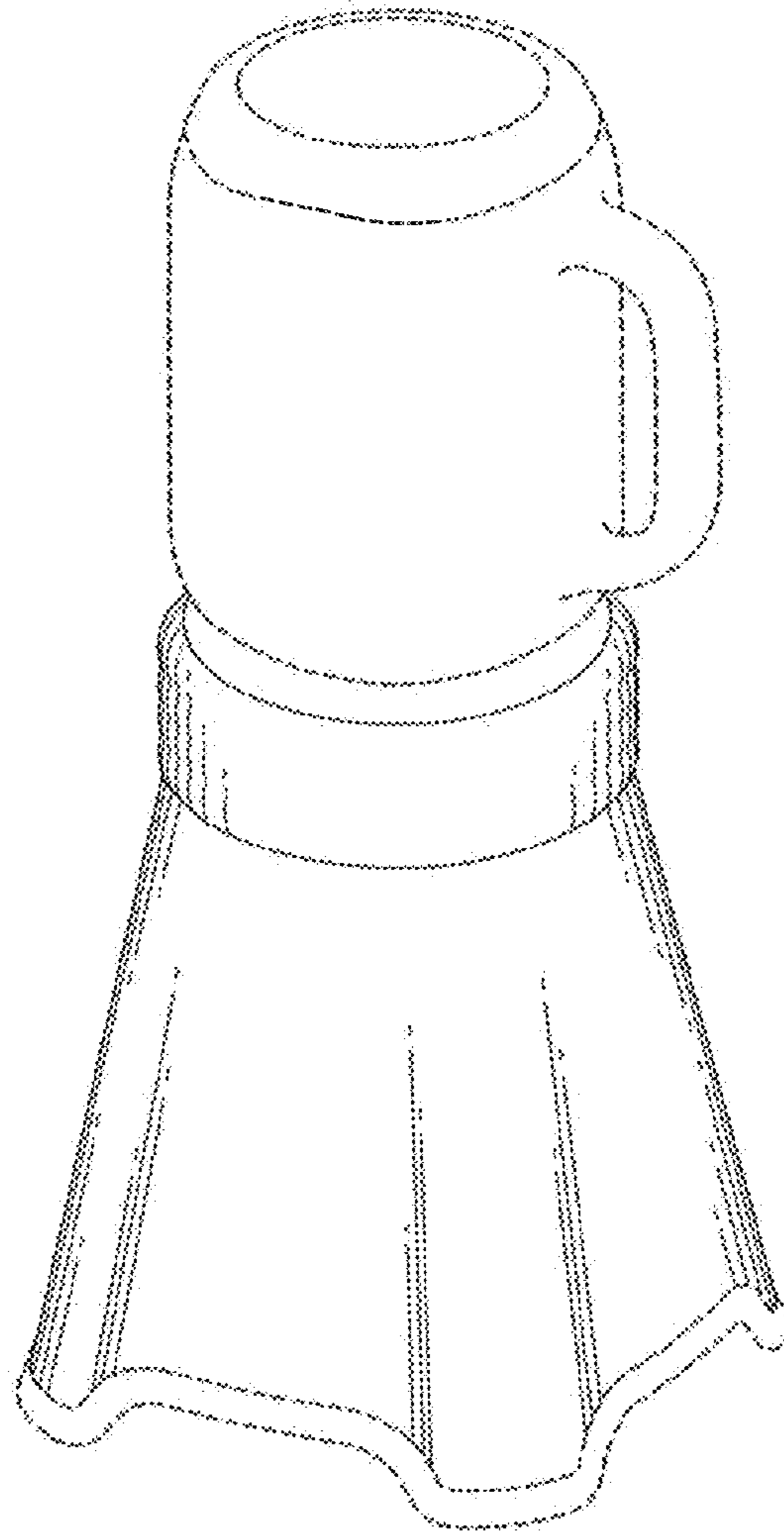


FIG. 6

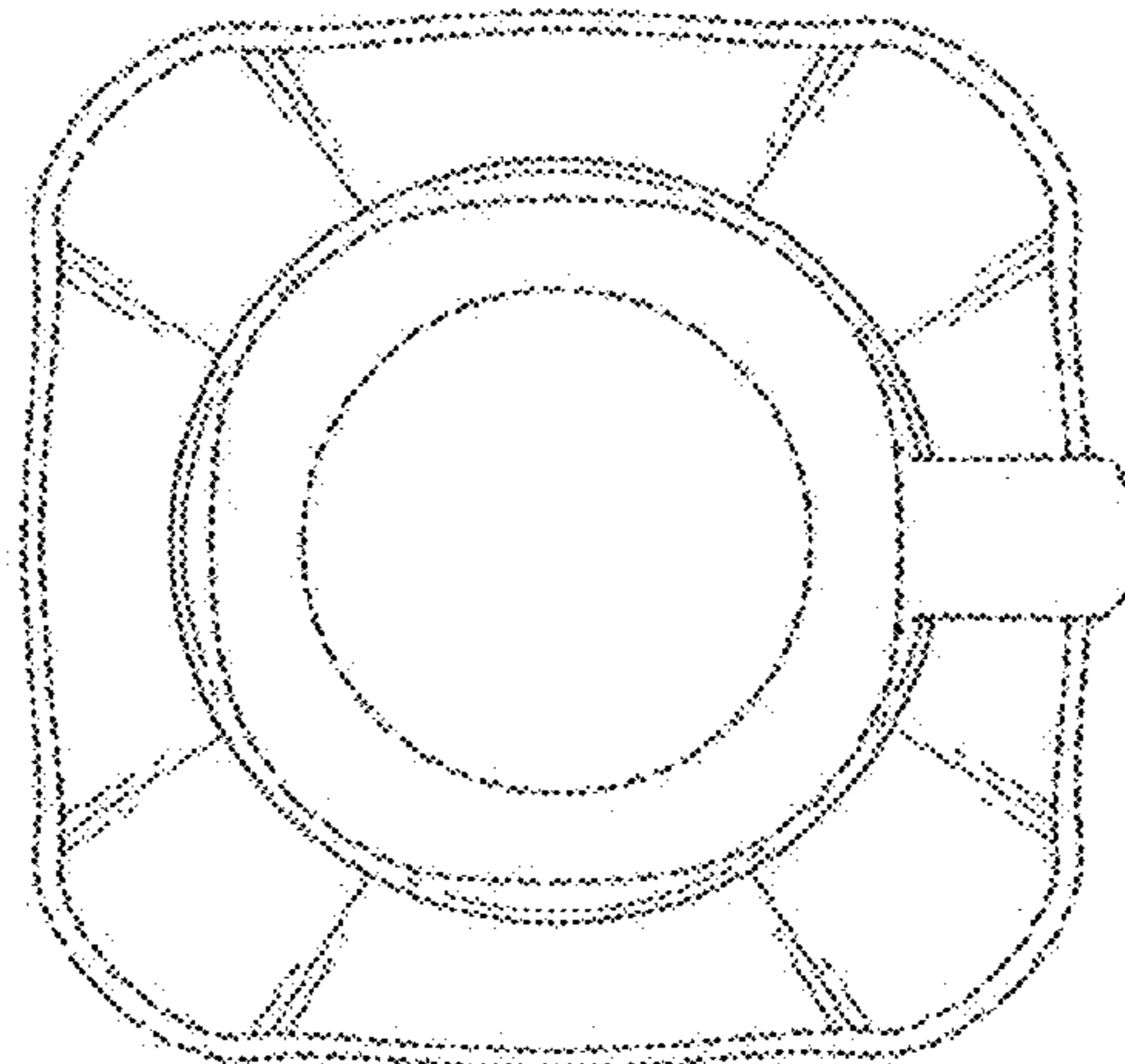


FIG. 2

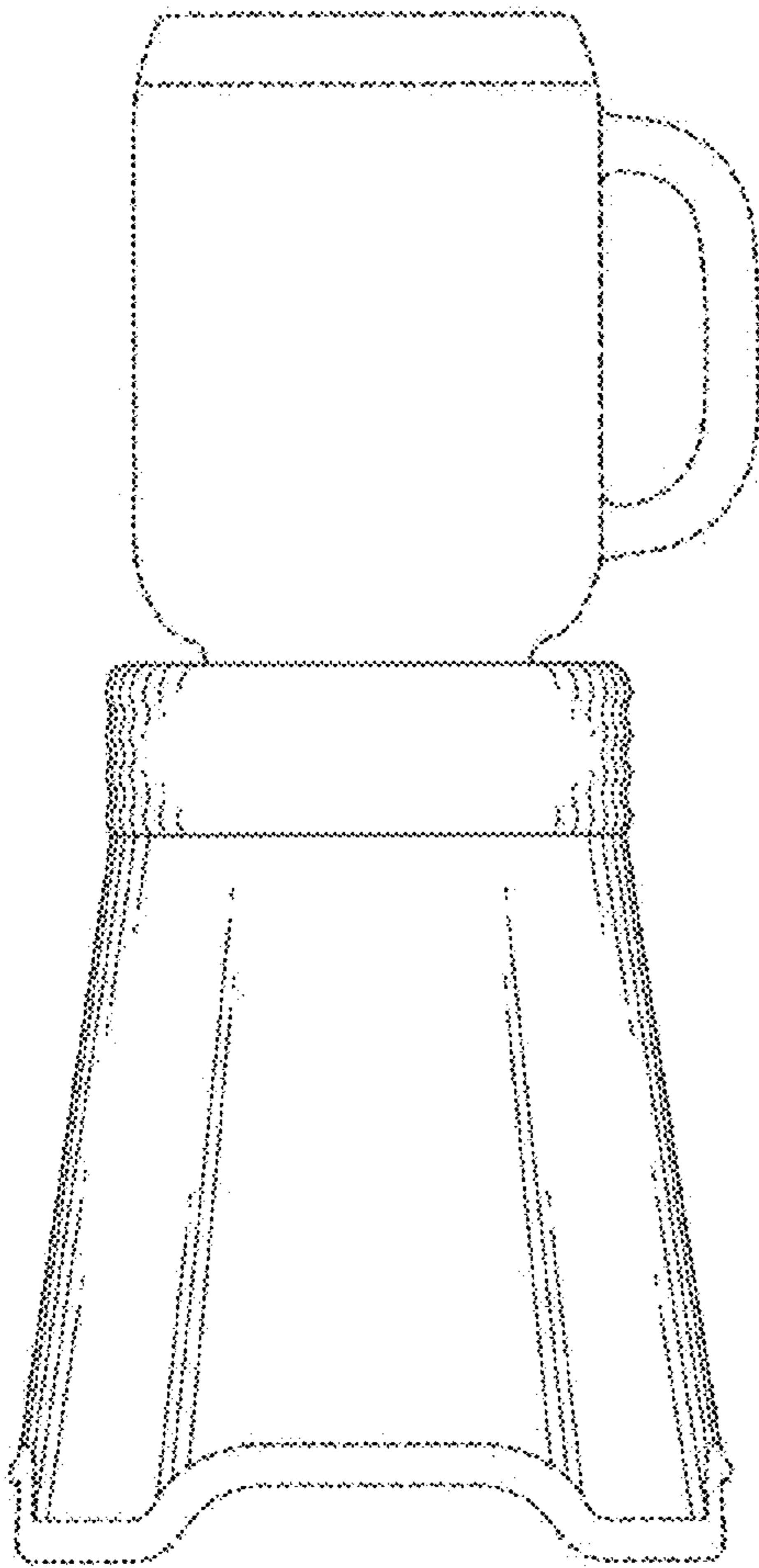


FIG. 3

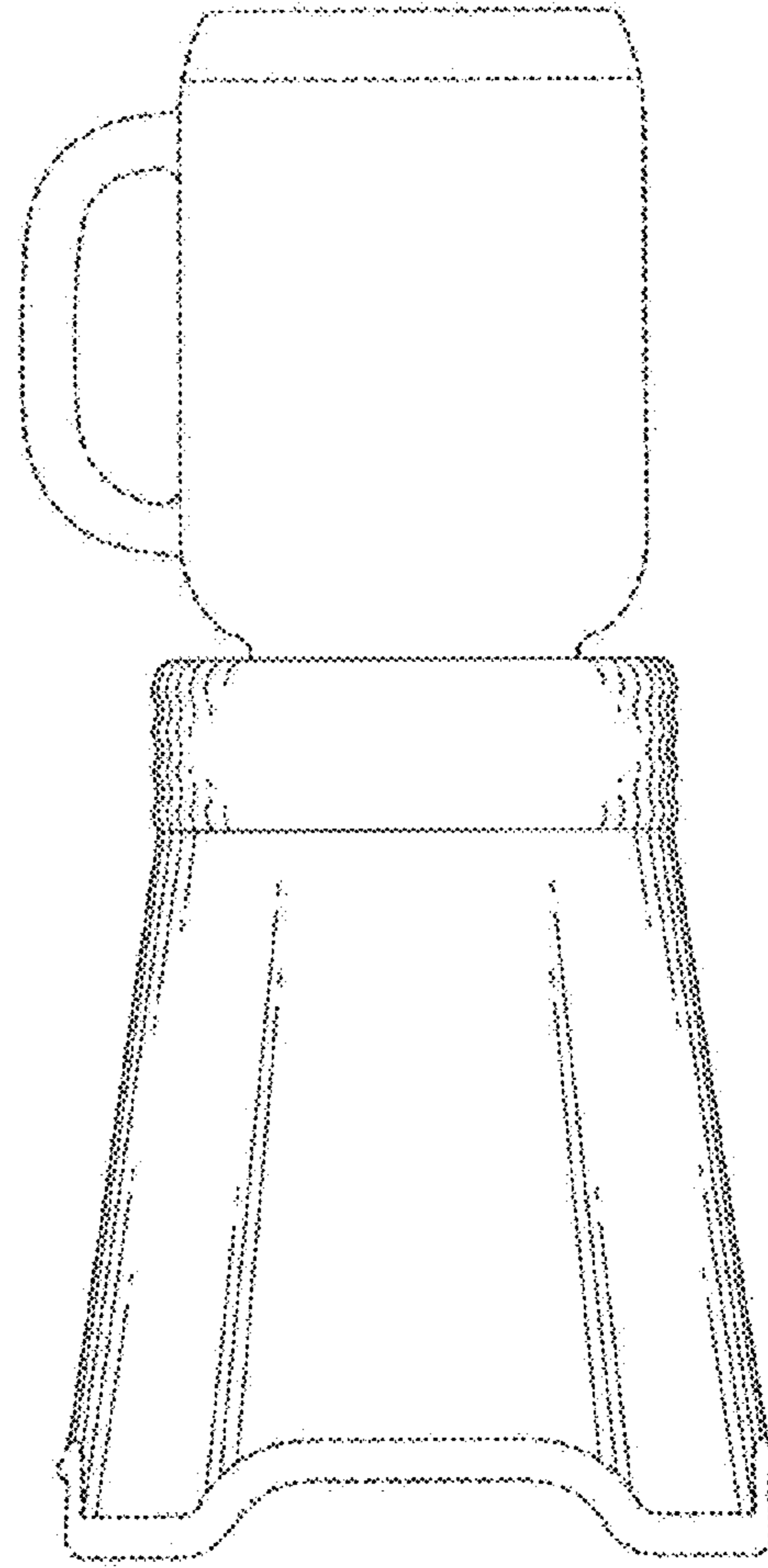


FIG. 4

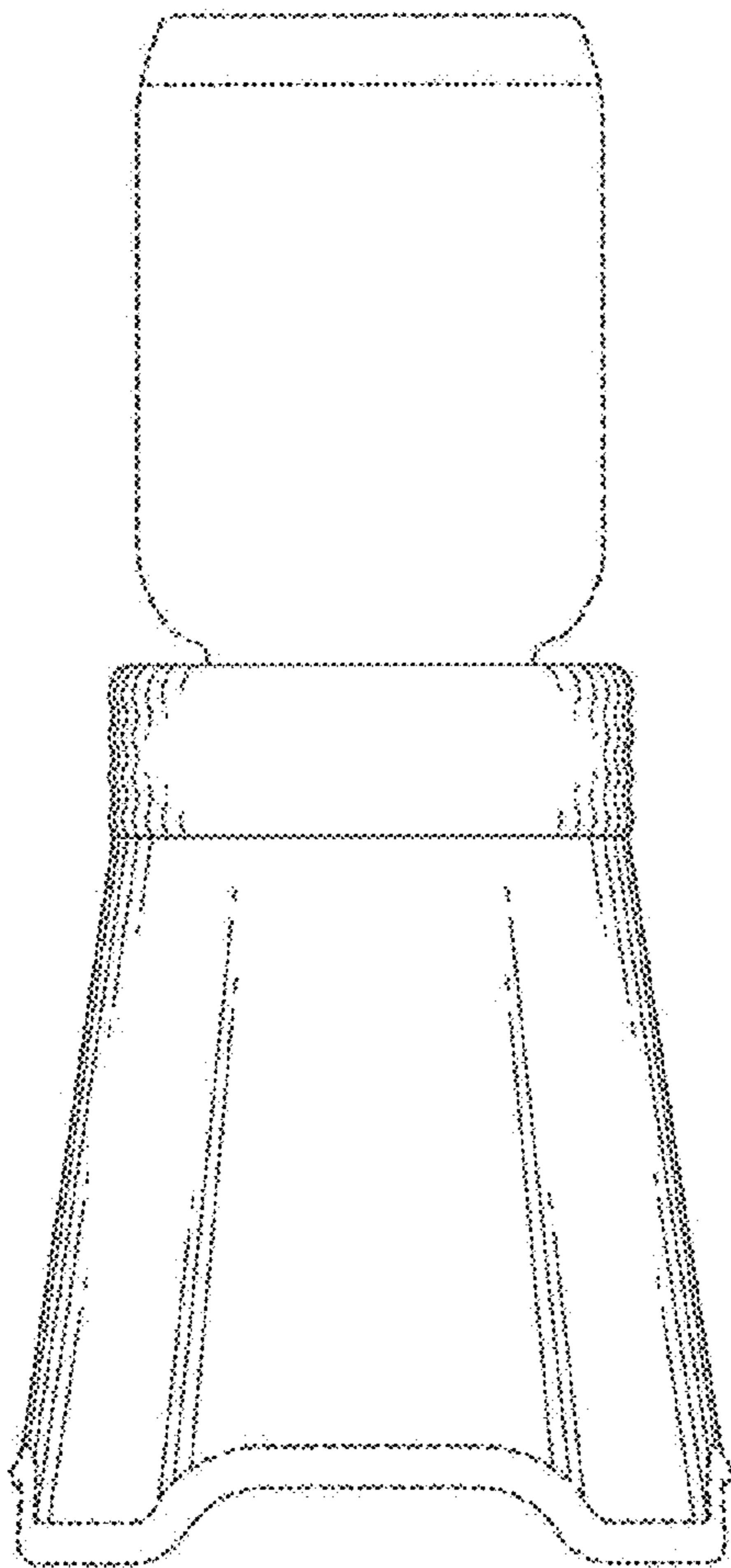


FIG. 5

