



US00D771997S

(12) **United States Design Patent** (10) **Patent No.:** **US D771,997 S**
Affatato et al. (45) **Date of Patent:** **** Nov. 22, 2016**

(54) **STEAMER BASKET**

3,485,163 A 12/1969 Arita
4,574,776 A 3/1986 Hidle
4,626,352 A 12/1986 Massey et al.

(71) Applicant: **CNA International Inc.**, Wood Dale, IL (US)

(Continued)

(72) Inventors: **Kristin Marie Affatato**, Elmhurst, IL (US); **Steve Cho**, Chicago, IL (US); **Hyunchul Kim**, Chicago, IL (US); **Patrick Scott Nally**, Seattle, WA (US)

FOREIGN PATENT DOCUMENTS

CN 2464213 12/2001

(73) Assignee: **CNA International Inc.**, Wood Dale, IL (US)

OTHER PUBLICATIONS

Pyrex No-Leak System, <http://www.pyrexware.com/pyrex-no-leak>, at least as early as Jul. 1, 2014.

(**) Term: **14 Years**

(Continued)

(21) Appl. No.: **29/519,633**

Primary Examiner — Ricky Pham

(22) Filed: **Mar. 6, 2015**

(74) *Attorney, Agent, or Firm* — McDermott Will & Emery LLP

(51) **LOC (10) Cl.** **07-02**

(52) **U.S. Cl.**
USPC **D7/354**

(58) **Field of Classification Search**
USPC D7/323, 332, 335-337, 354-364, D7/387-388, 402, 407-409, 667

CPC A21B 2/00; A21B 3/00; A21B 3/13; A21B 3/15; A21B 5/00; A21B 5/02; A23N 12/06; A23N 12/08; A23N 12/10; A47J 37/00; A47J 37/04; A47J 37/041; A47J 37/042; A47J 37/06; A47J 37/0688; A47J 37/0694; A47J 37/07; A47J 37/0704; A47J 37/10; A47J 43/24; A47J 47/20; A47J 2037/00; A47J 2037/06; A47J 2037/0611; A47J 2037/07; A47J 2037/0786; A47J 2037/0795; F24C 15/10; F24C 15/12; F24C 15/14; F24C 15/16; F24C 15/164; F24C 15/18

See application file for complete search history.

(56) **References Cited**

U.S. PATENT DOCUMENTS

D199,320 S * 10/1964 Swett D7/667
3,170,875 A * 2/1965 Swett A47J 43/24
209/274

(57) **CLAIM**

We claim the ornamental design for a steamer basket, as shown and described.

DESCRIPTION

FIG. 1 is a front top perspective view of a steamer basket according to the new design.

FIG. 2 is a back bottom perspective view of the steamer basket shown in FIG. 1.

FIG. 3 is a right side view of the steamer basket shown in FIG. 1.

FIG. 4 is a left side view of the steamer basket shown in FIG. 1.

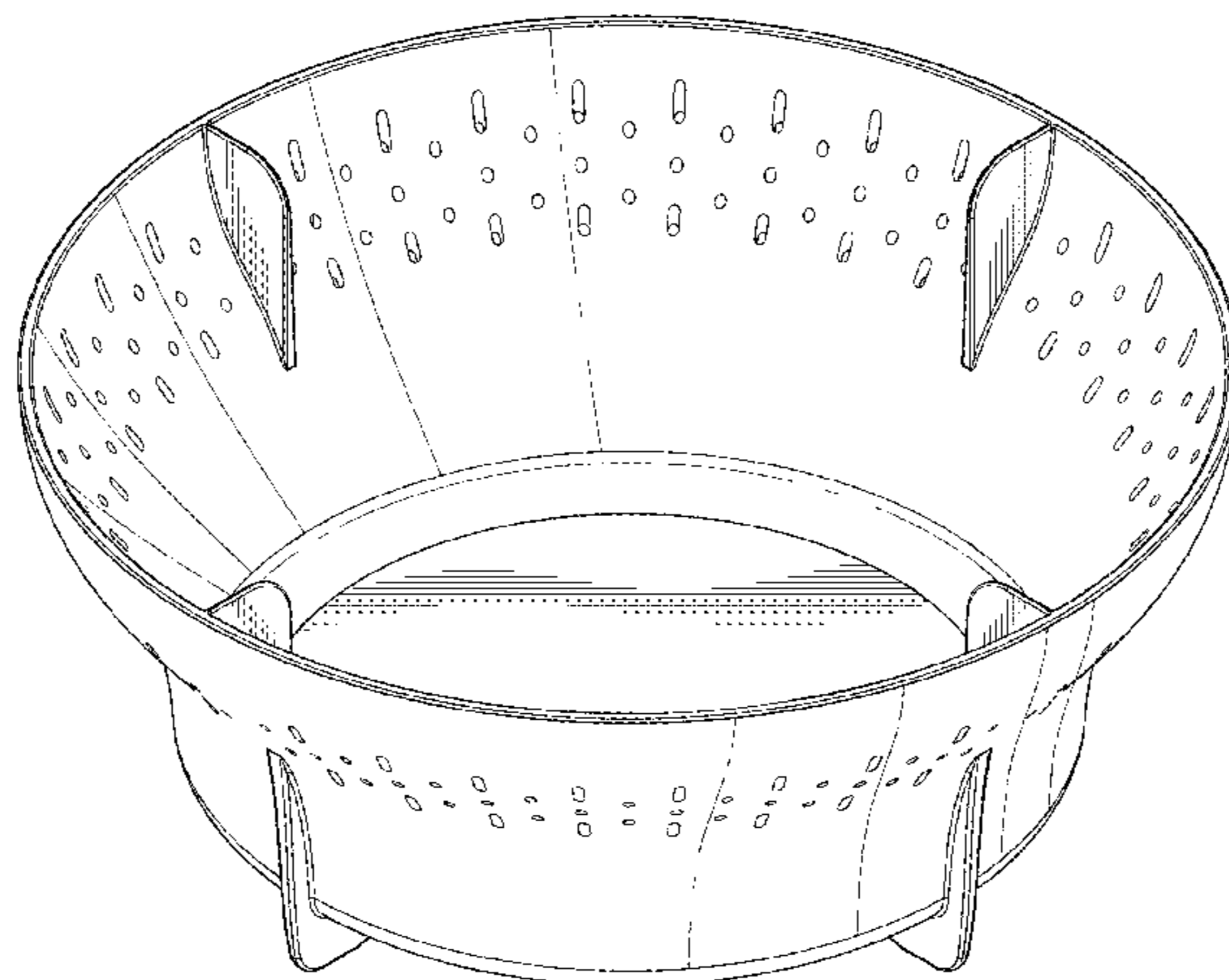
FIG. 5 is a front view of the steamer basket shown in FIG. 1.

FIG. 6 is a back view of the steamer basket shown in FIG. 1.

FIG. 7 is a top view of the steamer basket shown in FIG. 1; and,

FIG. 8 is a bottom view of the steamer basket shown in FIG. 1.

1 Claim, 6 Drawing Sheets



(56)

References Cited

U.S. PATENT DOCUMENTS

5,195,424	A	3/1993	Guajaca	
5,363,978	A	11/1994	Molo	
D353,080	S *	12/1994	Cantereels	D7/667
D378,565	S *	3/1997	Cousins	D7/667
D378,566	S *	3/1997	Cousins	D7/667
D390,757	S	2/1998	Wold	
5,750,967	A	5/1998	Sprauer, Jr.	
D409,053	S *	5/1999	Wong	D7/667
5,931,333	A	8/1999	Woodnorth et al.	
D433,884	S *	11/2000	Fujimoto	D7/667
D463,719	S *	10/2002	Epstein	D7/667
D469,667	S *	2/2003	Burton	D7/667
D502,847	S *	3/2005	Leonori	D7/667
6,952,000	B2	10/2005	Ohyama	
7,131,550	B2	11/2006	Vilalta et al.	
D558,536	S *	1/2008	Curtin	D7/667
D558,537	S *	1/2008	Curtin	D7/667
D584,111	S *	1/2009	Eide	D7/667
7,678,271	B2 *	3/2010	Curtin	A47J 43/24 141/337
D656,800	S	4/2012	Lee	
D671,802	S	12/2012	Lee	
D671,803	S *	12/2012	Myoung	D7/667
8,592,736	B2	11/2013	DiLorenzo et al.	
8,729,438	B2	5/2014	Iwasaki	
8,850,964	B2	10/2014	Pawlick et al.	
8,866,056	B2	10/2014	Shapiro et al.	
D718,579	S *	12/2014	Lee	D7/667
D718,580	S *	12/2014	Lee	D7/667
D731,261	S	6/2015	Hauser	
D734,103	S *	7/2015	Kin	D7/667
D754,494	S *	4/2016	Schuler	D7/667
D759,420	S *	6/2016	Lee	D7/354
2002/0060216	A1	5/2002	Chan	
2003/0116572	A1	6/2003	Klock et al.	
2003/0217649	A1 *	11/2003	Leonori	A47J 43/24 99/495
2004/0040961	A1	3/2004	Vilalta et al.	
2004/0232026	A1	11/2004	Goeking et al.	
2009/0014443	A1	1/2009	Skaife	
2009/0026205	A1	1/2009	Moon	
2009/0107993	A1	4/2009	Ohyama	
2009/0200296	A1	8/2009	Iwasaki	
2013/0284727	A1	10/2013	Tai	
2014/0042167	A1	2/2014	Lindsay et al.	
2014/0138376	A1	5/2014	Cheung	
2014/0224799	A1	8/2014	Iwasaki	
2014/0224823	A1	8/2014	Iwasaki	

OTHER PUBLICATIONS

Anchor True-Seal System, http://anchorhocking.com/prod_208_trueseal.html, at least as early as Jul. 1, 2014.

NordicWare Essentials Microwave Cook Set, <https://www.amazon.com/Nordic-Ware-Microwave-6-Piece-Essentials/dp/B00008UA3K>, at least as early as Jul. 1, 2014.

MicroBuddy (As Seen on TV), <https://www.seenontv.com/product/microbuddy>, at least as early as Jul. 1, 2014.

Tupperware Heat n' Serve, <https://www.amazon.com/Tupperware-Heat-Serve-Containers-Bowls/dp/B004USS8SY>, at least as early as Jul. 1, 2014.

Ziploc VersaGlass Containers, <http://www.walmart.com/ip/Ziploc-6pc-VersaGlass-Container-Variety-Pack/15819201>, at least as early as Jul. 1, 2014.

Tupperware Clear Bowl, <https://www.amazon.com/TP-840-T177-Tupperware-Clear-Bowl-Slimline/dp/B00NV1QH3> . . . , at least as early as Jul. 1, 2014.

Martha Stewart Collection, <http://www1.macys.com/shop/product/martha-stewart-collection-12-piece-glass-food-storage> . . . , at least as early as Jul. 1, 2014.

Snapware Tempered Glasslock Storage Containers, <https://www.amazon.com/Snapware-Tempered-Glasslock-Containers-Microwave/dp/B008T> . . . , at least as early as Jul. 1, 2014.

Rubbermaid Glass Containers, http://www.target.com/p/rubbermaid-10-pc-glass-food-storage-set/-/A-14051268?ref=tgt_ad . . . , at least as early as Jul. 1, 2014.

NordicWare Microwave Steamer, https://www.nordicware.com/store/product_detail/vegetable-seafood-steamer, at least as early as Jul. 1, 2014.

Progressive MiracleWare Fish and Vegetable Steamer, <http://progressiveintl.com/products/microwave-fish-and-veggie-steamer>, at least as early as Jul. 1, 2014.

Sistema Oatmeal Maker, <http://sistemaplastics.com/products/microwave/Breakfast-Bowl>, at least as early as Jul. 1, 2014.

Sistema Steamer, <http://sistemaplastics.com/products/microwave/large-microwave-steamer>, at least as early as Jul. 1, 2014.

NordicWare Microwave Bacon Rack, <http://www.walmart.com/ip/Nordic-Ware-Reversible-Microwave-Bacon-Rack/14913043?w> . . . , at least as early as Jul. 1, 2014.

NordicWare Popcorn Popper, https://www.nordicware.com/store/product_detail/microwave-popcorn-popper, at least as early as Jul. 1, 2014.

Progressive Microwave Grill, <http://progressiveintl.com/products/large-microwave-grill>, at least as early as Jul. 1, 2014.

International Search Report for related International Application No. PCT/US2016/020968, mailed May 2, 2016.

* cited by examiner

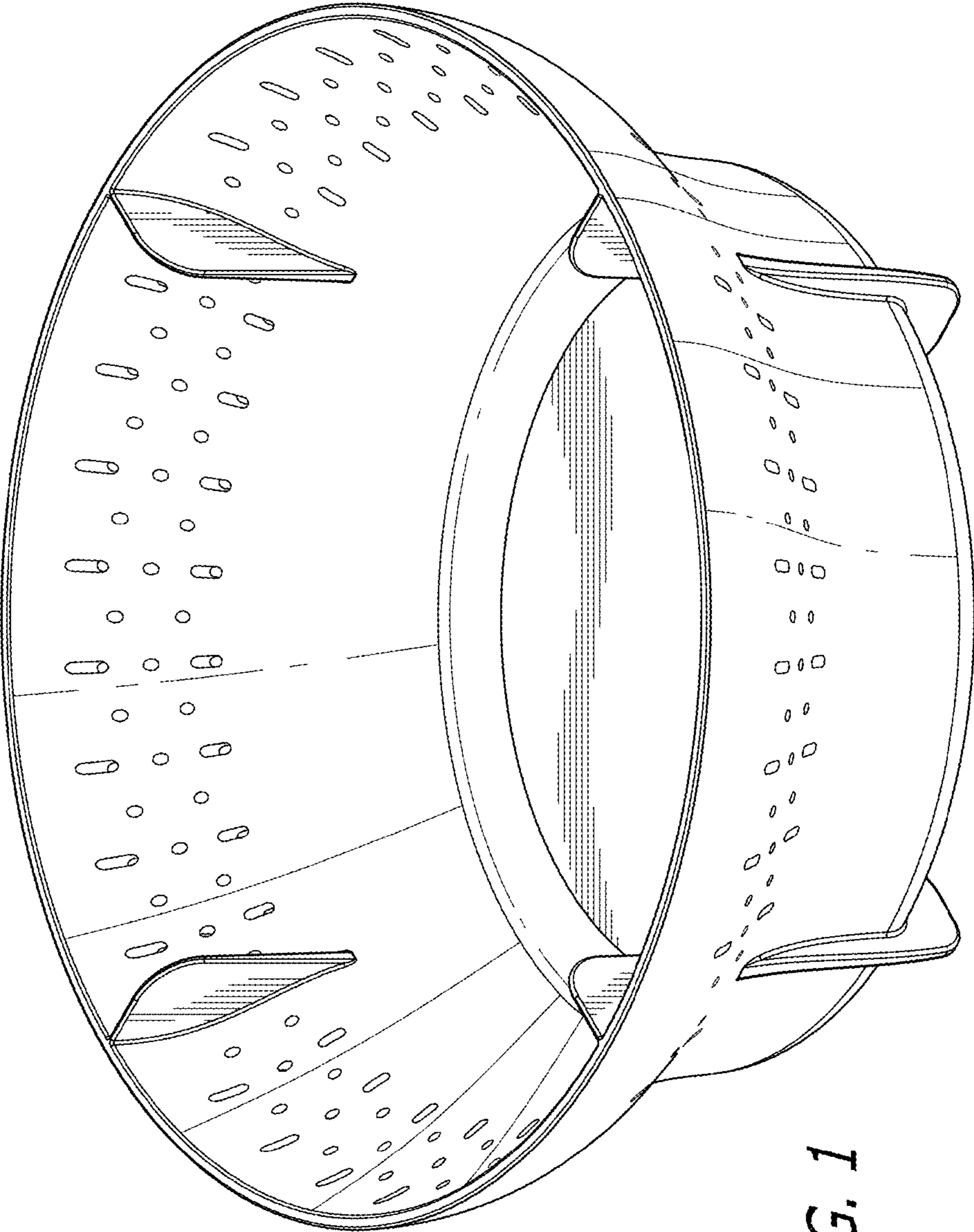


FIG. 1

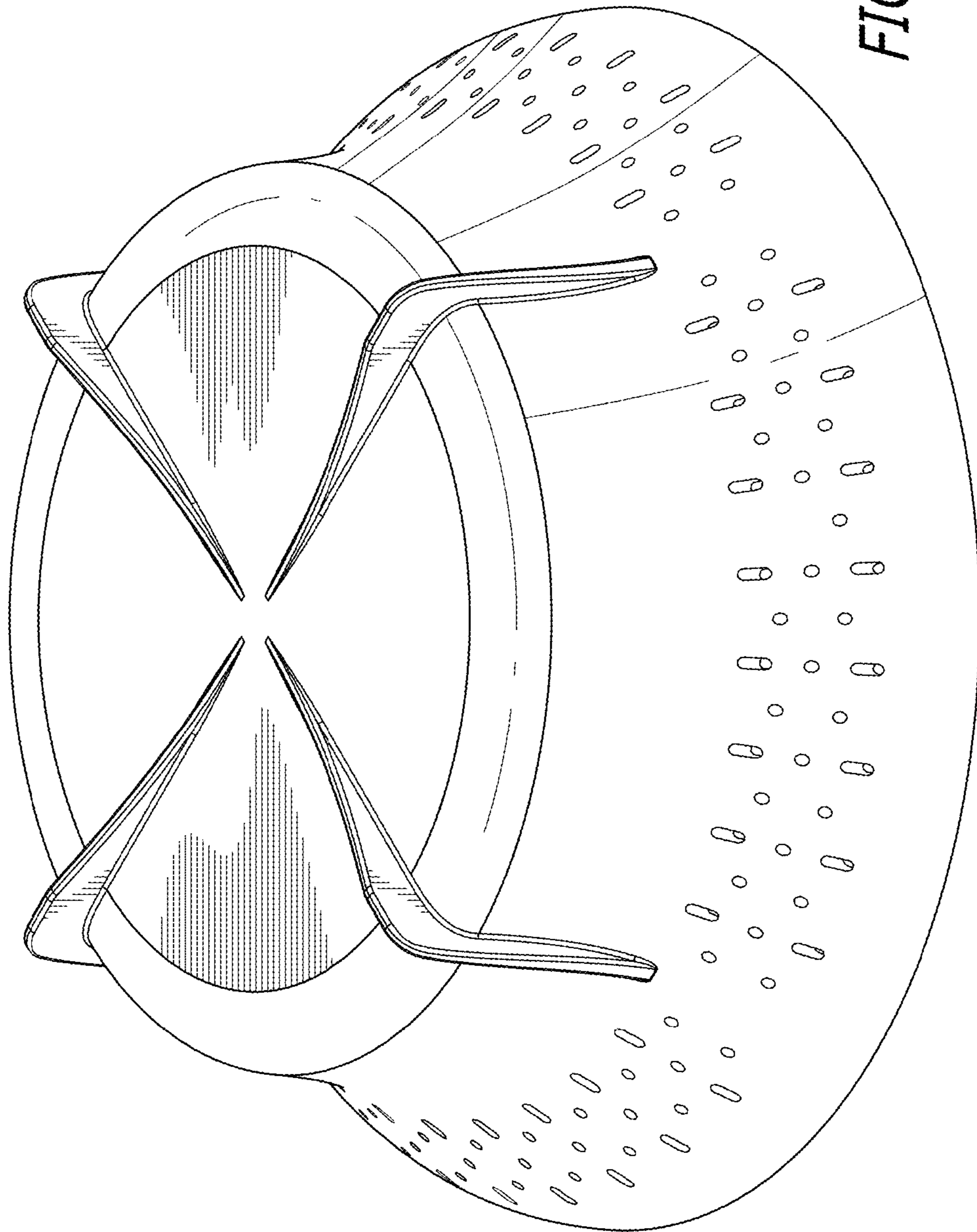
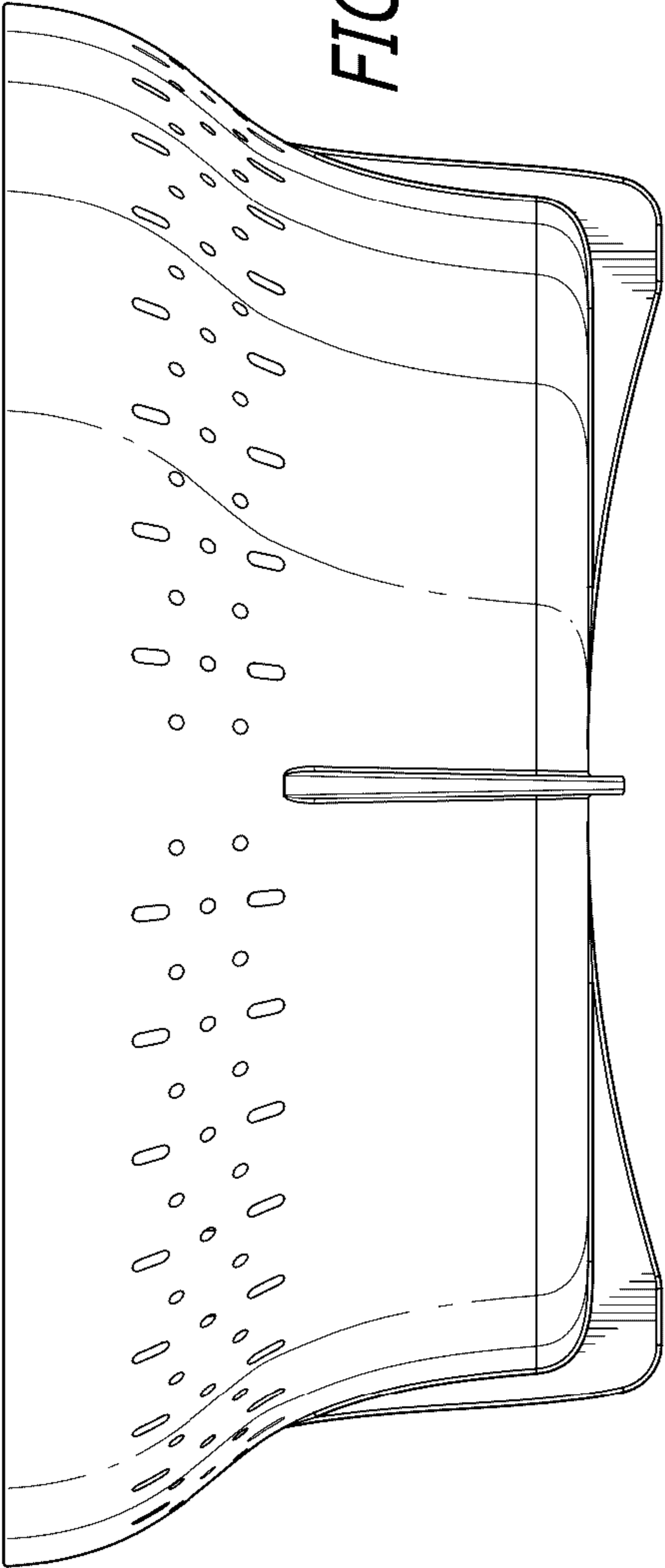
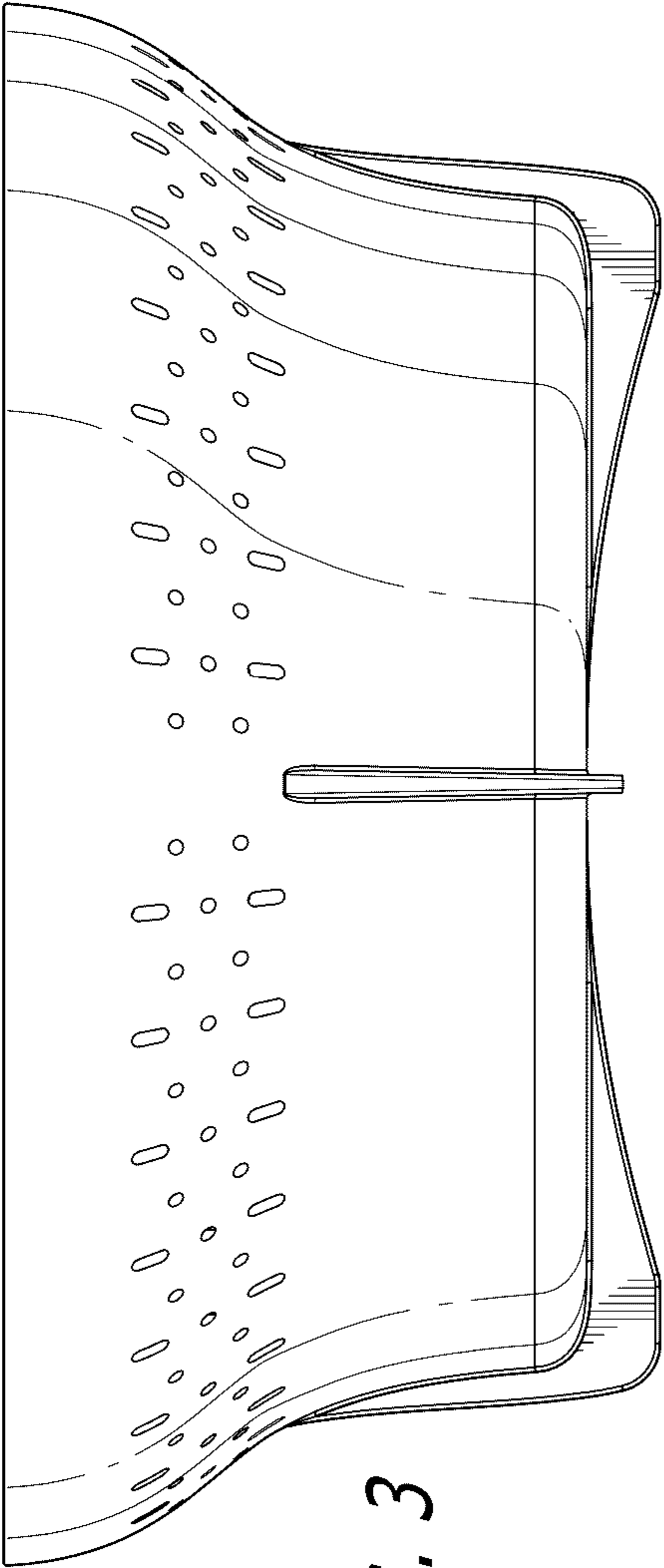


FIG. 2



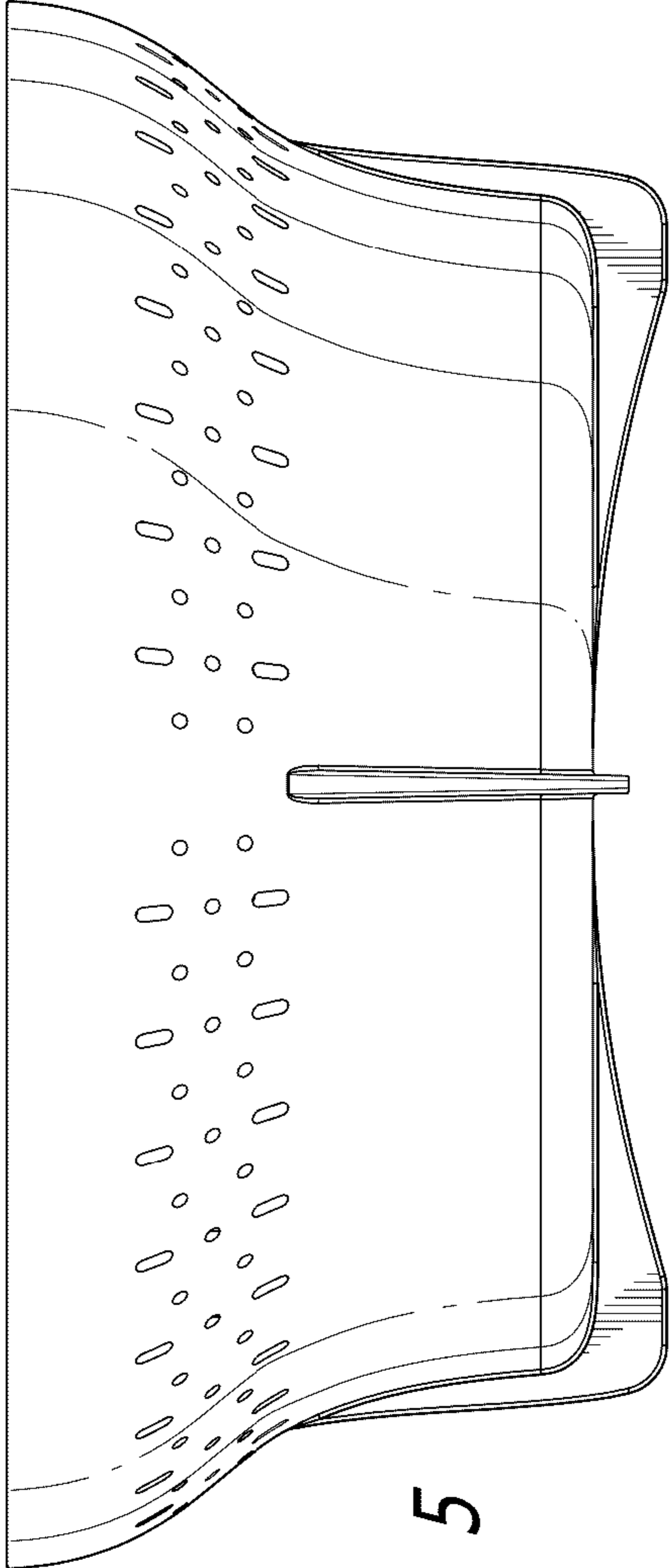


FIG. 5

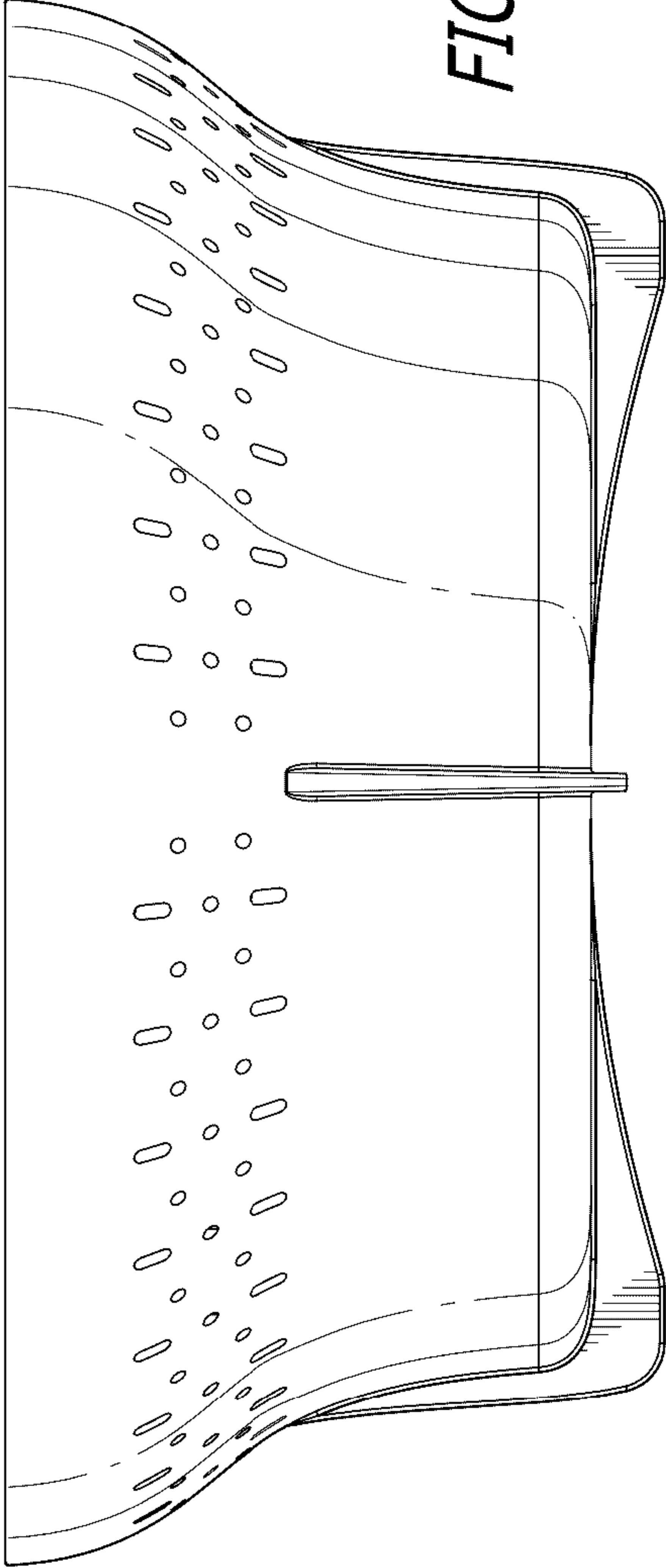


FIG. 6

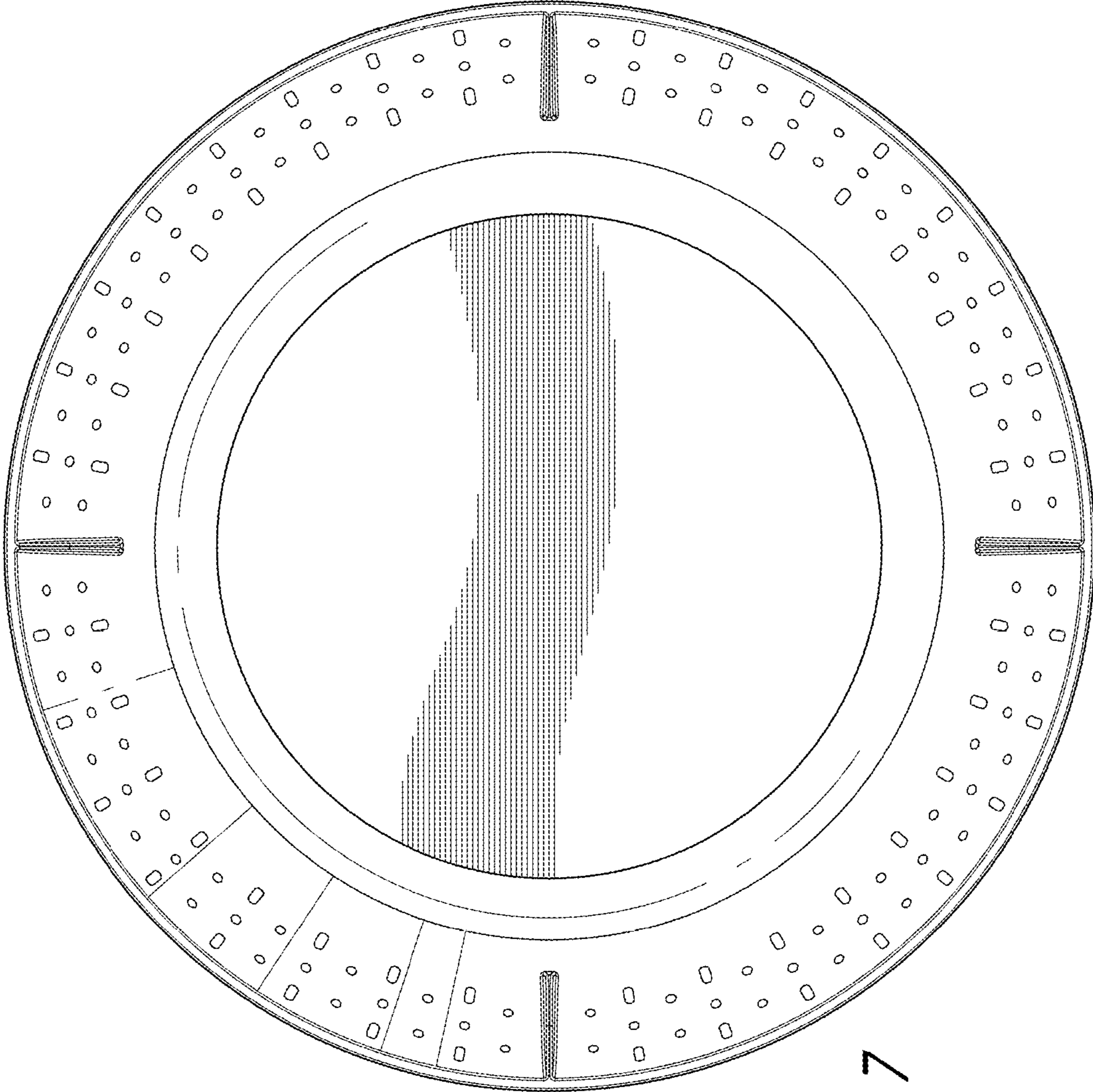


FIG. 7

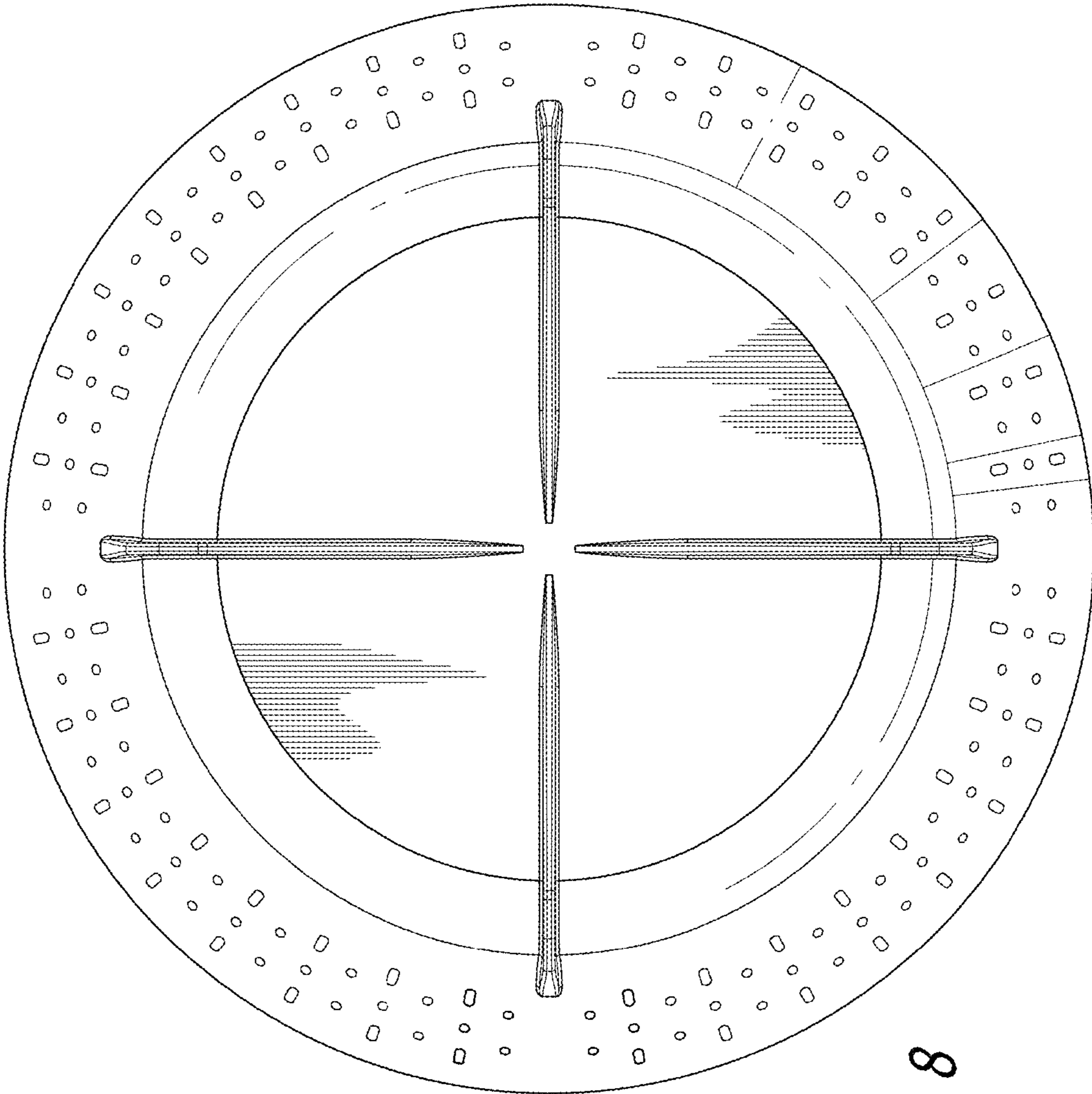


FIG. 8