



US00D771993S

(12) **United States Design Patent** (10) **Patent No.:** **US D771,993 S**  
**Cai et al.** (45) **Date of Patent:** **\*\* Nov. 22, 2016**

(54) **COFFEE MACHINE FOR BREWING  
COFFEE, ESPRESSO, TEA OR THE LIKE**

(71) Applicants: **Edward Cai**, Camas, WA (US); **Army  
Tan**, Shaoyang (CN)

(72) Inventors: **Edward Cai**, Camas, WA (US); **Army  
Tan**, Shaoyang (CN)

(73) Assignee: **United Home Technologies LLC**,  
Vancouver, WA (US)

(\*\*) Term: **14 Years**

(21) Appl. No.: **29/474,873**

(22) Filed: **Mar. 4, 2015**

(51) **LOC (10) Cl.** ..... **07-01**

(52) **U.S. Cl.**  
USPC ..... **D7/309; D7/311**

(58) **Field of Classification Search**  
USPC ..... D7/306-311, 313, 312, 305; 99/279,  
99/290, 282; D23/207  
CPC ..... A47J 31/4403; A47J 31/44; A47J 31/56;  
A47J 31/4482; F16M 1/00; B67D 3/0022;  
B67D 3/0009  
See application file for complete search history.

D452,434 S 12/2001 Sweeney  
D474,110 S 5/2003 Sweeney  
6,645,537 B2 11/2003 Sweeney  
D489,936 S \* 5/2004 Smith ..... D7/379  
D501,750 S \* 2/2005 DeMore ..... D7/309  
D502,362 S 3/2005 Lazaris  
D519,774 S \* 5/2006 Hansen ..... D7/306  
D530,560 S \* 10/2006 Lin ..... D7/309  
D550,499 S \* 9/2007 Argabrite ..... D7/309  
D647,398 S 10/2011 Winkler  
D721,531 S \* 1/2015 Krasne ..... D7/309  
D739,677 S \* 9/2015 Du ..... D7/309  
D742,680 S \* 11/2015 Burrows ..... D7/309  
D755,556 S \* 5/2016 Bandixen ..... D7/306  
D757,478 S \* 5/2016 Bandixen ..... D7/306  
2006/0283330 A1 \* 12/2006 Lin ..... A47J 31/4482  
99/279  
2013/0017303 A1 1/2013 Vu

\* cited by examiner

*Primary Examiner* — Marianne Pandozzi

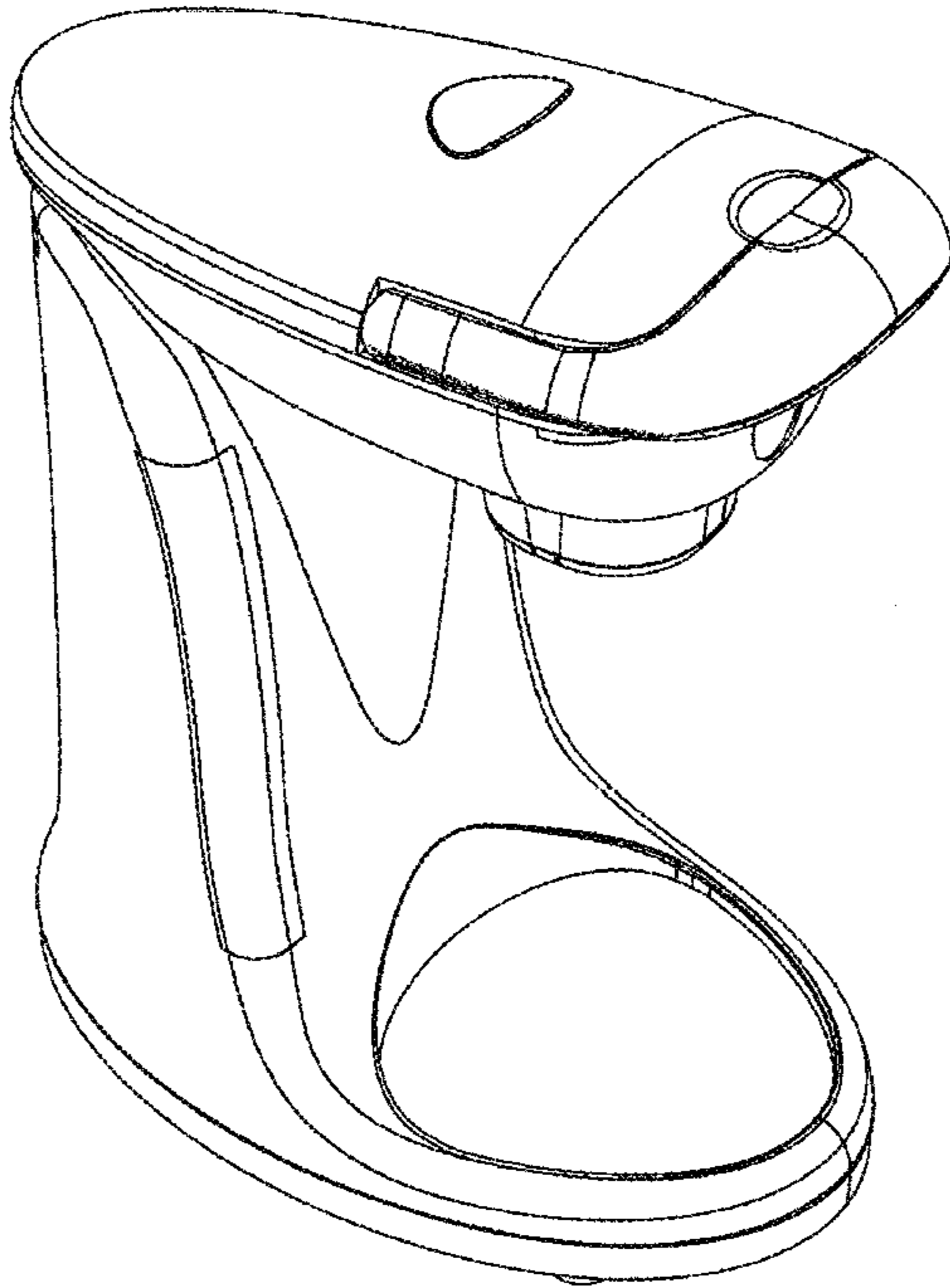
(57) **CLAIM**  
The ornamental design for a coffee machine for brewing coffee, espresso, tea or the like, as shown and described.

**DESCRIPTION**

FIG. 1 is a top, front, right side view of a coffee machine for making coffee, espresso, tea, or the like showing our new design;  
FIG. 2 is a front view thereof;  
FIG. 3 is a rear view thereof;  
FIG. 4 is a right side view thereof;  
FIG. 5 is a left side view thereof;  
FIG. 6 is a top plan view thereof; and,  
FIG. 7 is a bottom plan view thereof.

**1 Claim, 4 Drawing Sheets**

(56) **References Cited**  
U.S. PATENT DOCUMENTS  
D229,897 S \* 1/1974 Martin ..... D7/309  
D267,325 S \* 12/1982 Zimmerman ..... D7/309  
5,840,189 A 11/1998 Sylvan  
D446,989 S \* 8/2001 Cruz ..... D7/309  
D452,433 S 12/2001 Lazaris



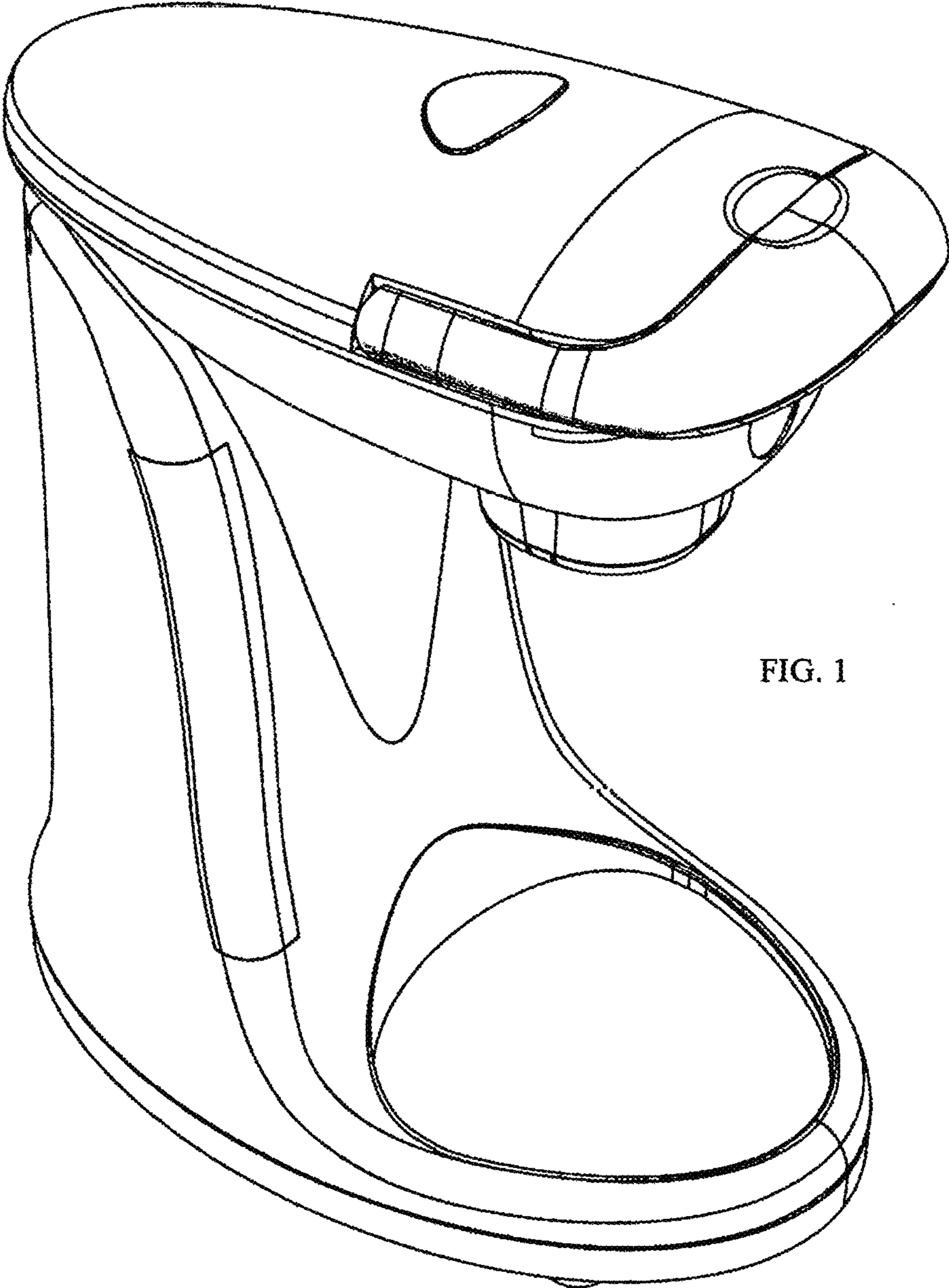


FIG. 1

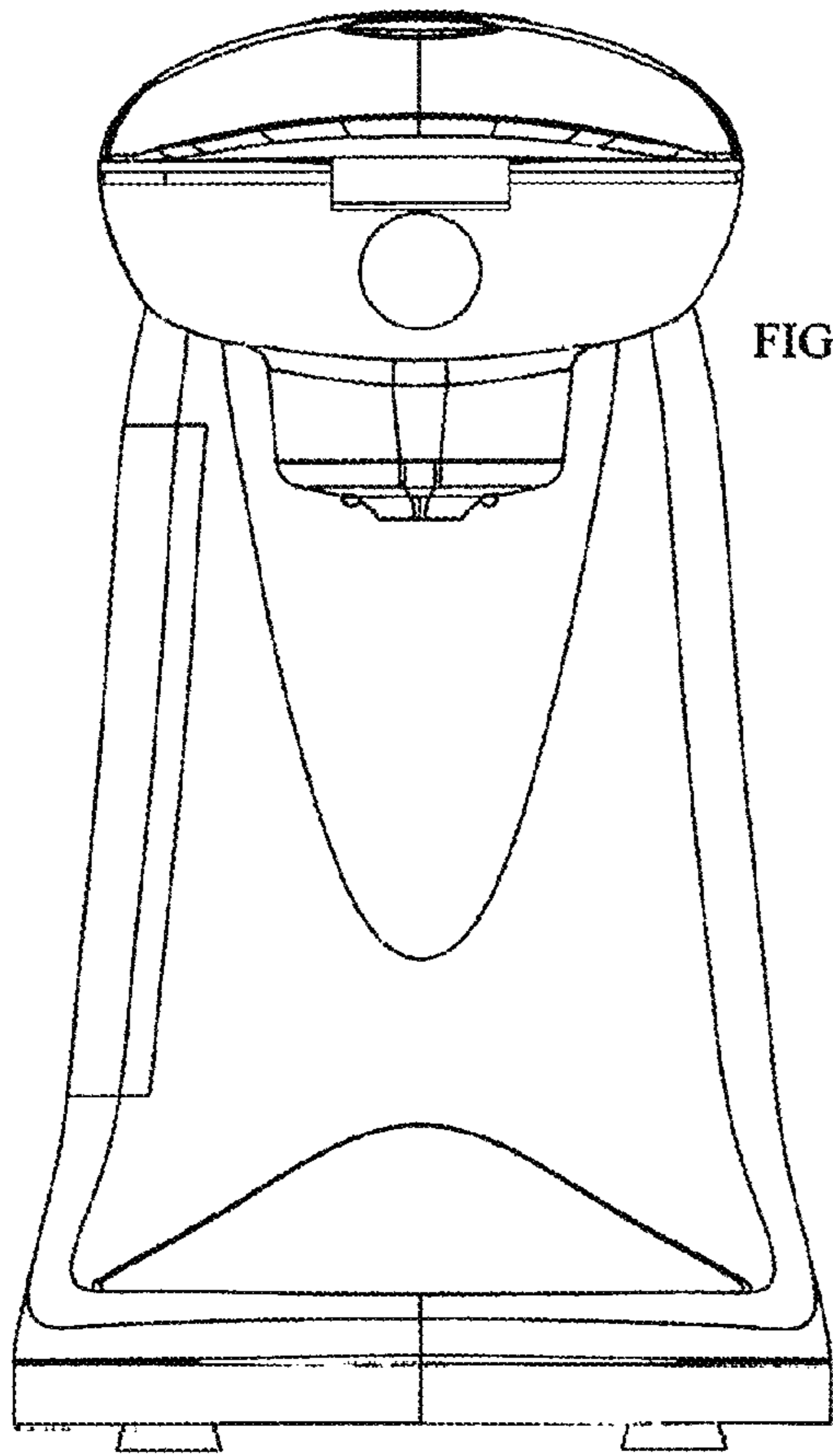


FIG. 2

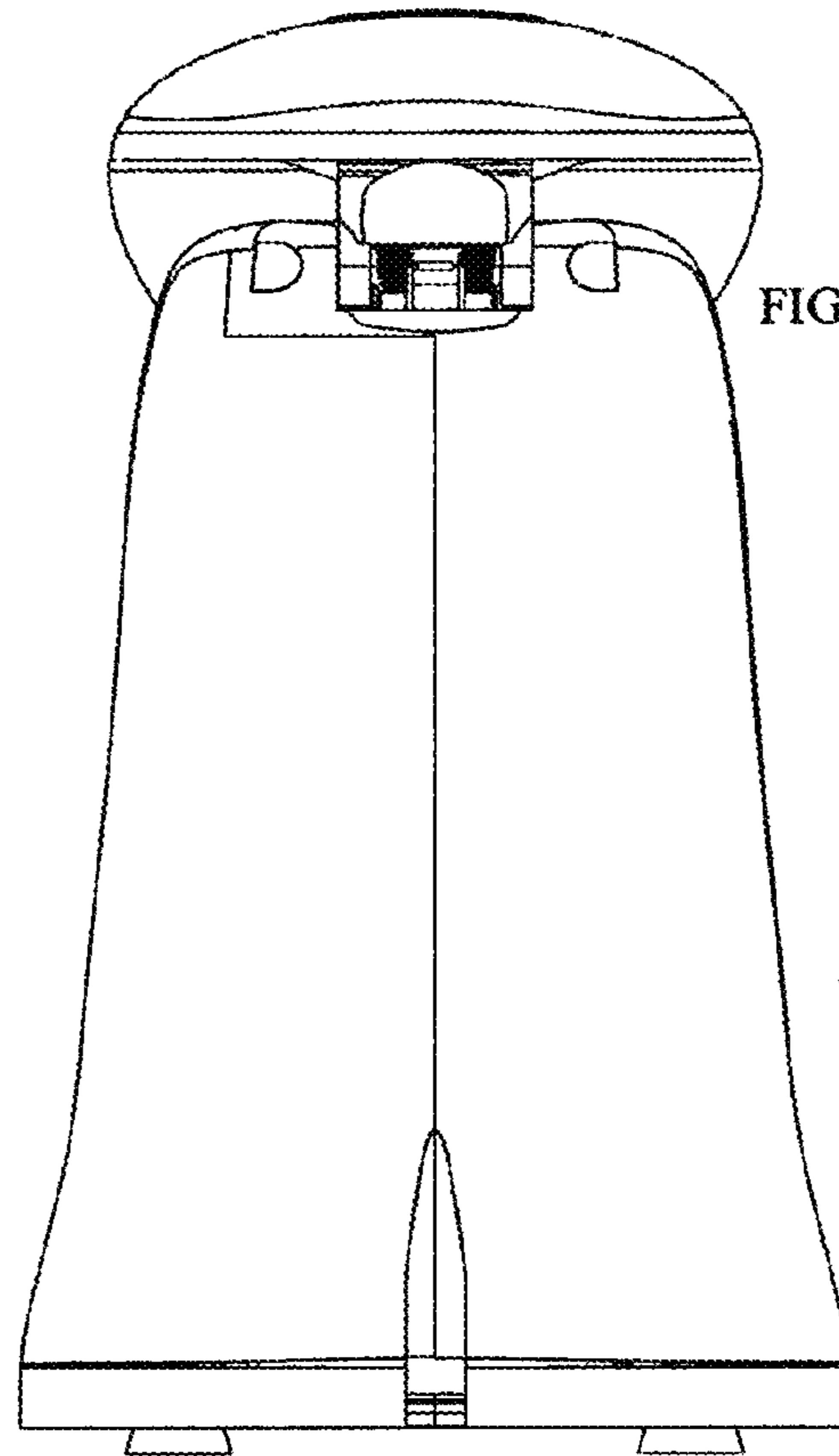
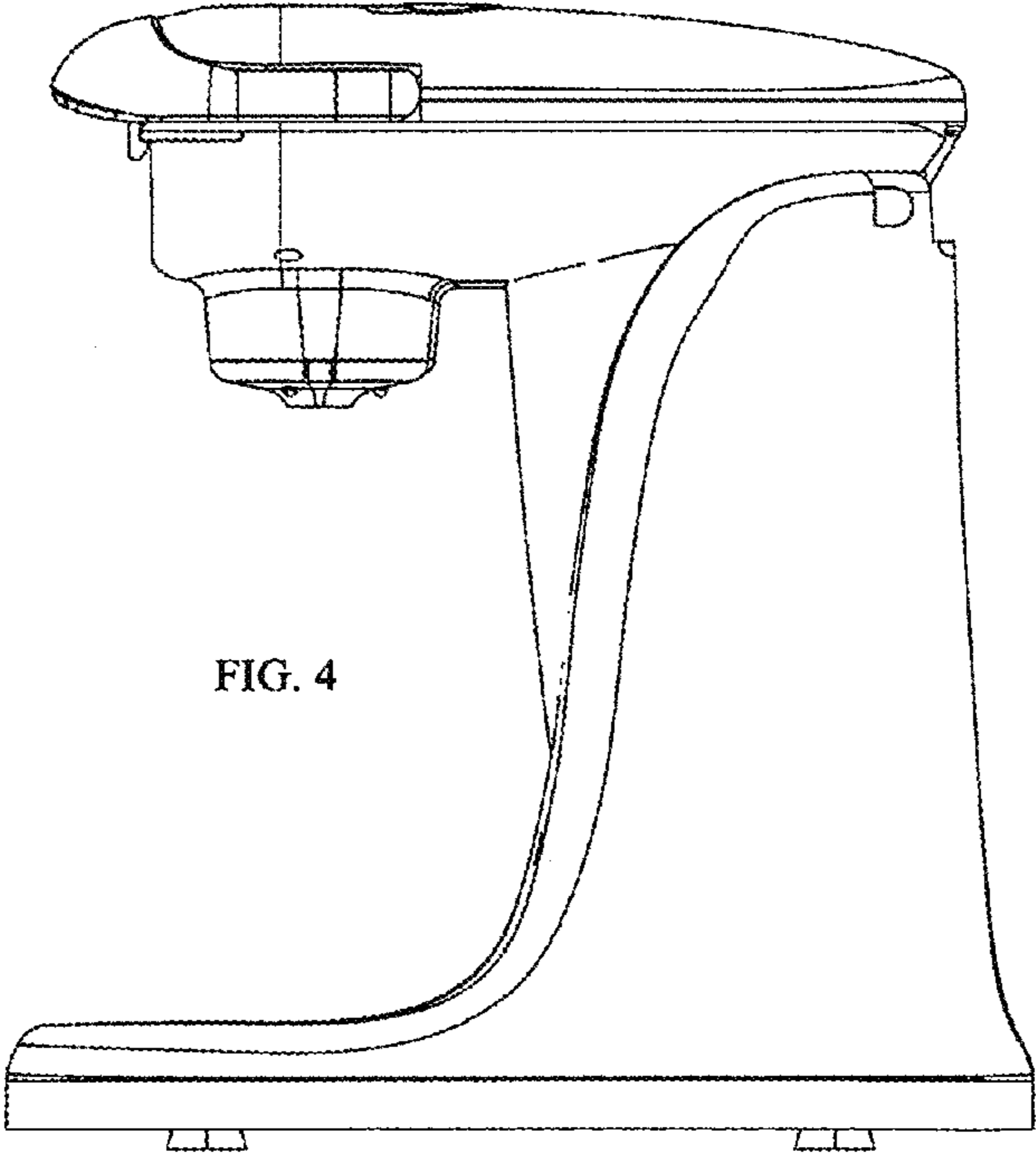
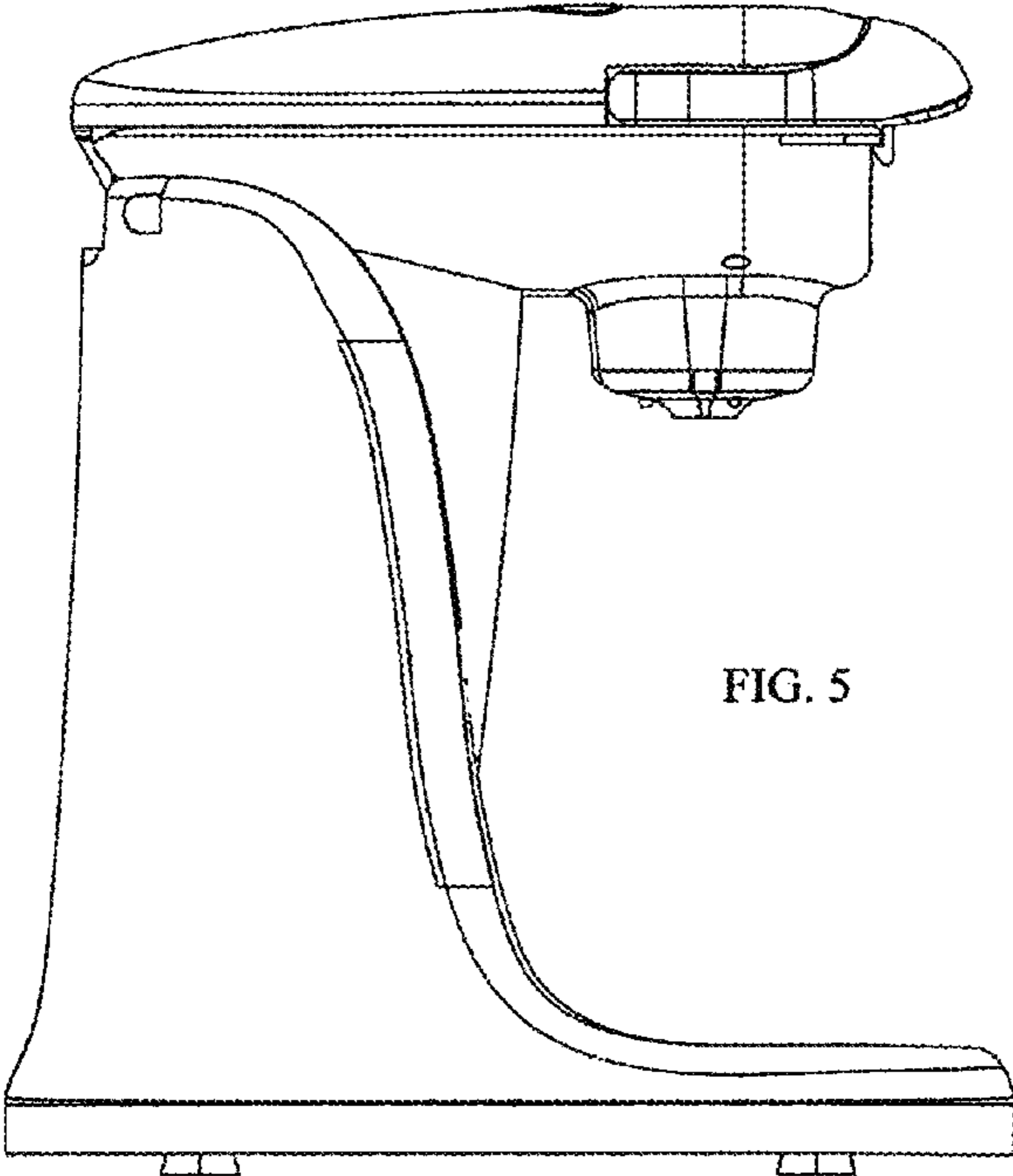


FIG. 3



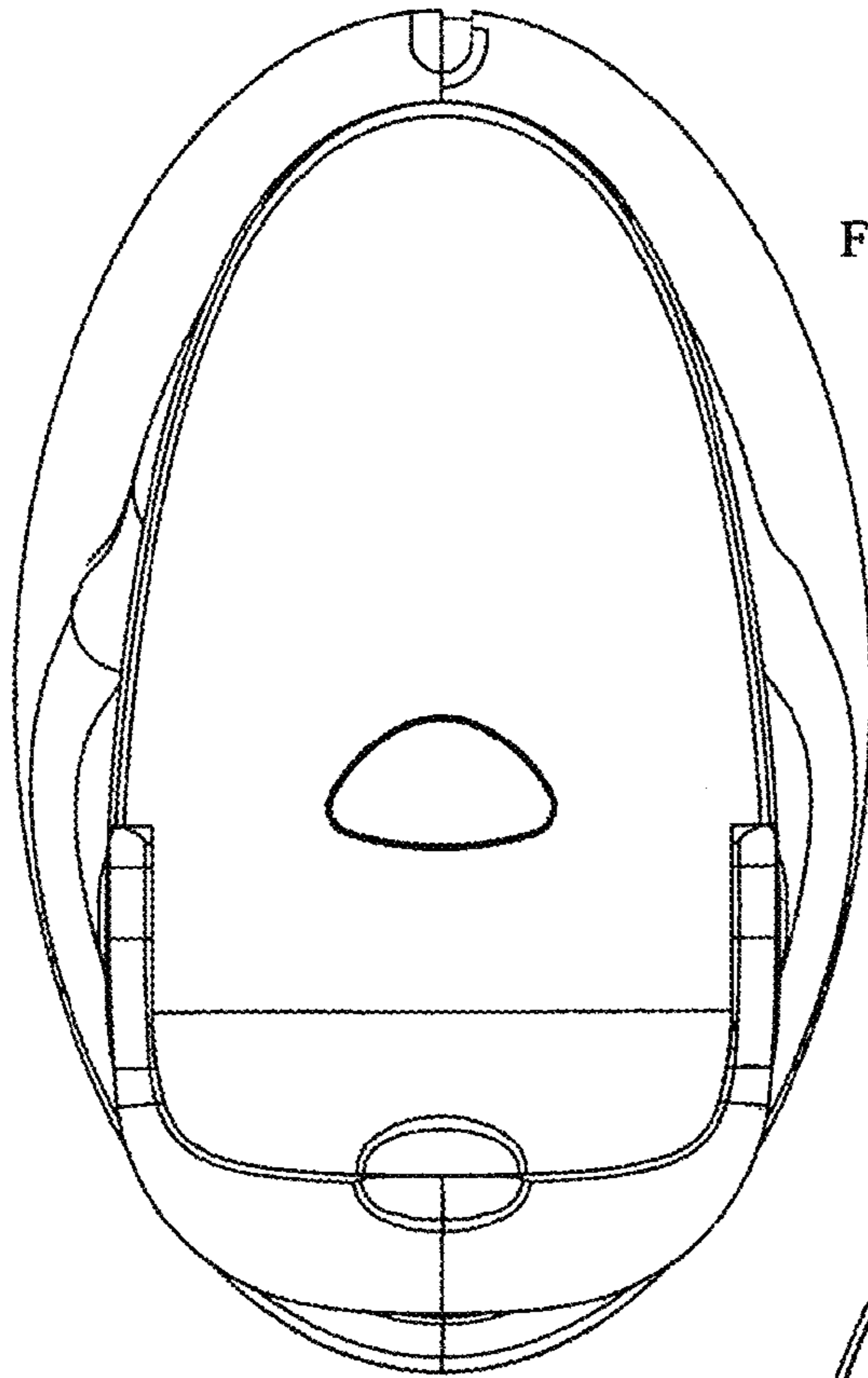


FIG. 6

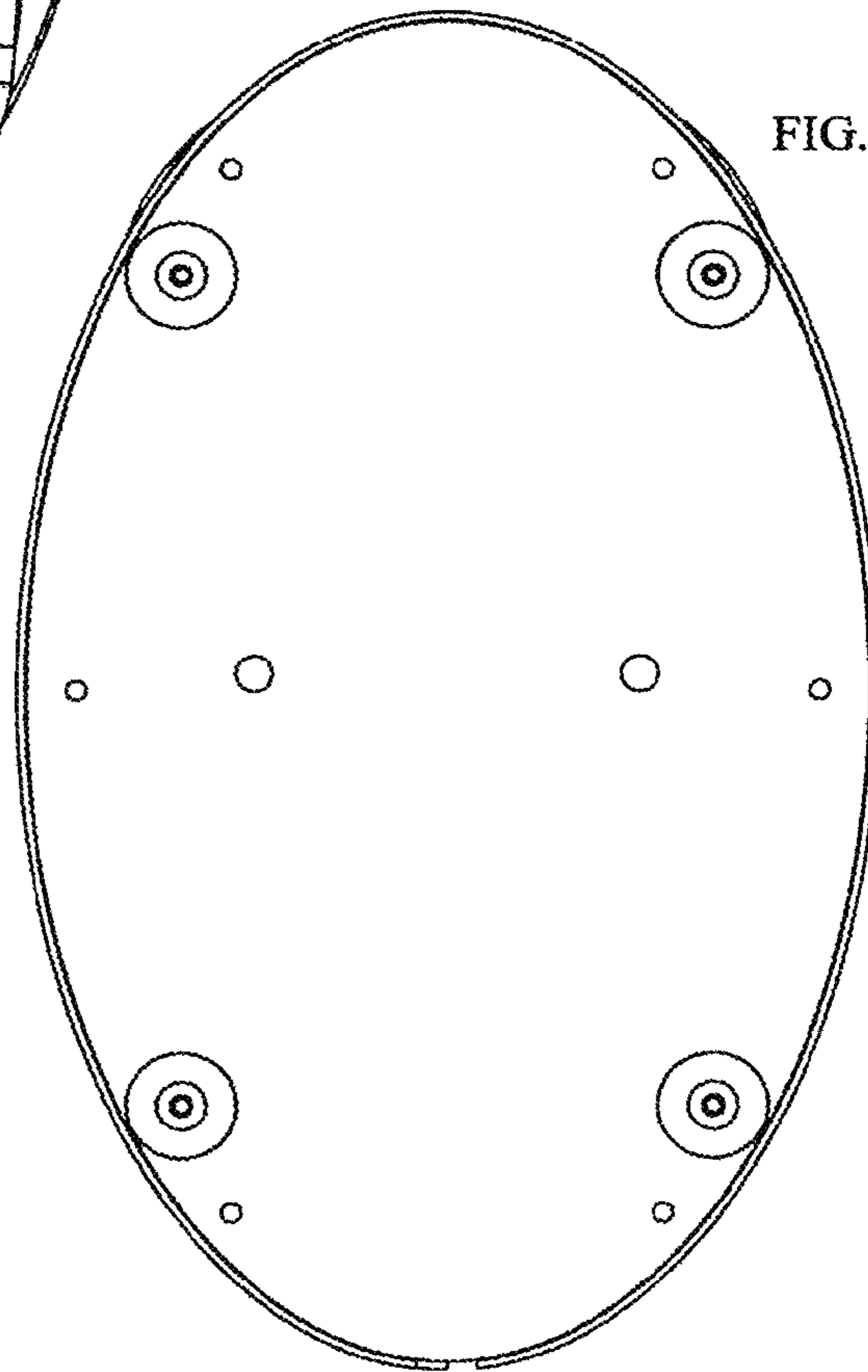


FIG. 7