



US00D771992S

(12) **United States Design Patent** (10) **Patent No.:** **US D771,992 S**
Yang (45) **Date of Patent:** **** Nov. 22, 2016**

(54) **BEVERAGE MACHINE**
(71) Applicant: **Ningbo Sunlight Electrical Appliance Co., Ltd.**, Ningbo, Zhejiang (CN)

D646,109 S * 10/2011 Zoppellari D7/306
D646,518 S * 10/2011 De' Longhi D7/309
D647,356 S * 10/2011 De' Longhi D7/309
D717,911 S * 11/2014 Moon D23/207

(72) Inventor: **Ningen Yang**, Ningbo (CN)
(73) Assignee: **Ningbo Sunlight Electrical Appliance Co., Ltd.**, Ningbo (CN)

FOREIGN PATENT DOCUMENTS

CN 303072452 1/2015

(**) Term: **14 Years**
(21) Appl. No.: **29/526,351**
(22) Filed: **May 8, 2015**

OTHER PUBLICATIONS

Declaration of Yidong Hu dated Jul. 19, 2016.

(51) **LOC (10) Cl.** **07-01**
(52) **U.S. Cl.**
USPC **D7/306; D7/309; D7/311**
(58) **Field of Classification Search**
USPC D7/300, 309-311, 306-308, 305, 355,
D7/362, 365, 367; 222/146.6, 185.1, 135;
99/295, 273, 304, 288, 279, 307, 283
CPC A47J 31/46; A47J 31/407; A47J 31/50;
A47J 31/18; A47J 31/00; A47J 27/04;
A47J 31/0573; A47J 31/52
See application file for complete search history.

* cited by examiner

Primary Examiner — Marianne Pandozzi
(74) *Attorney, Agent, or Firm* — Wood Herron & Evans LLP

(56) **References Cited**

U.S. PATENT DOCUMENTS

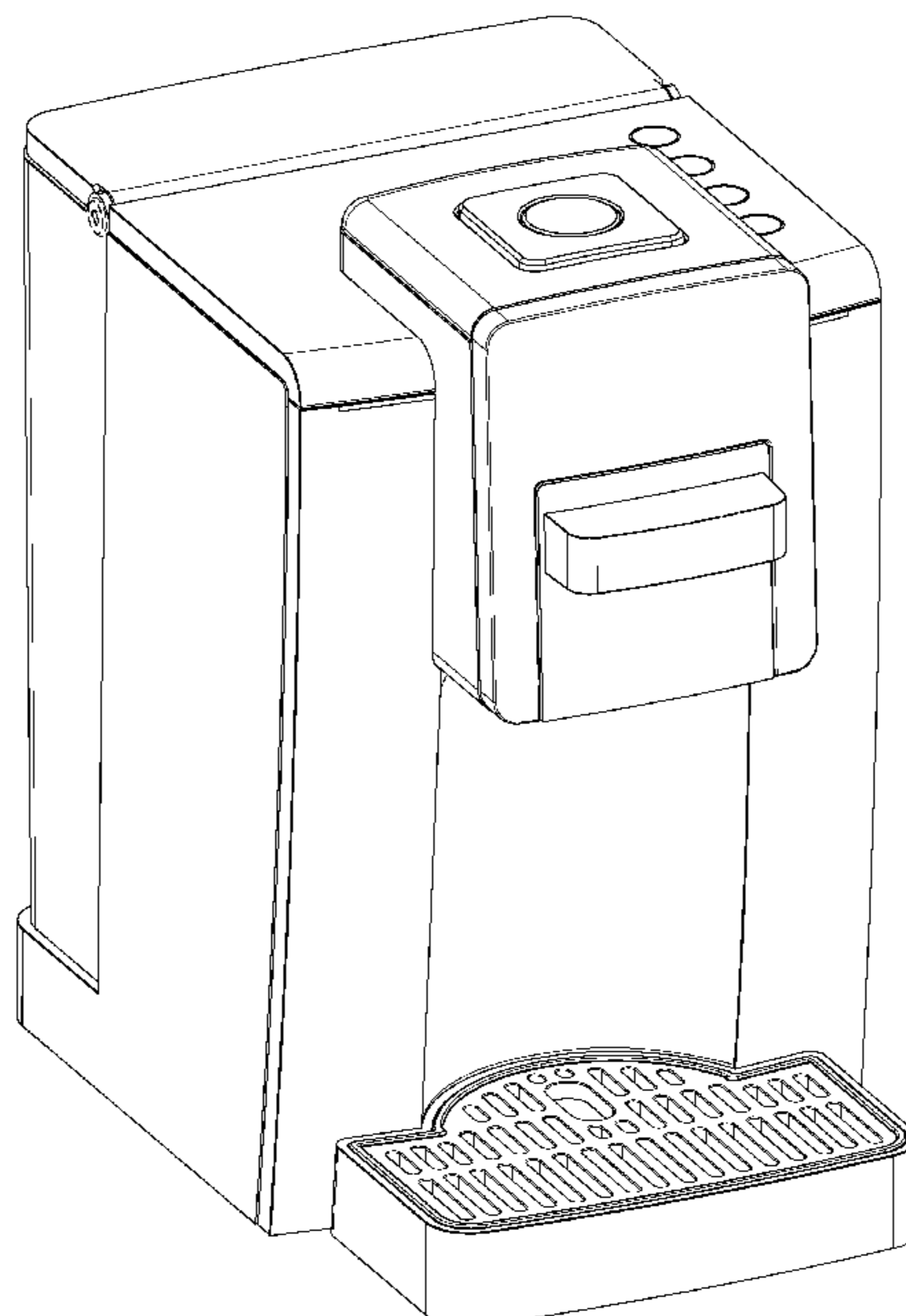
D558,505 S * 1/2008 Padain D7/306
D594,688 S * 6/2009 Hammad D7/306
D595,991 S * 7/2009 Zimmerman D7/307
D598,693 S * 8/2009 Kindler D7/306
D603,207 S * 11/2009 Metz D7/306
D604,985 S * 12/2009 Taylor D7/309
D622,534 S * 8/2010 Zimmermann D7/307
D622,998 S * 9/2010 Ashbridge D7/306
D634,963 S * 3/2011 Romandy D7/306

(57) **CLAIM**
The ornamental design for a beverage machine, as shown and described.

DESCRIPTION

FIG. 1 is a front left perspective view of my new, original and ornamental design;
FIG. 2 is a front elevational view thereof;
FIG. 3 is a right side elevational view thereof;
FIG. 4 is a rear elevational view thereof;
FIG. 5 is a left side elevational view thereof;
FIG. 6 is a top plan view thereof; and,
FIG. 7 is a bottom plan view thereof.
The broken lines in the drawing depict portions of the beverage machine that form no part of the claimed design.

1 Claim, 7 Drawing Sheets



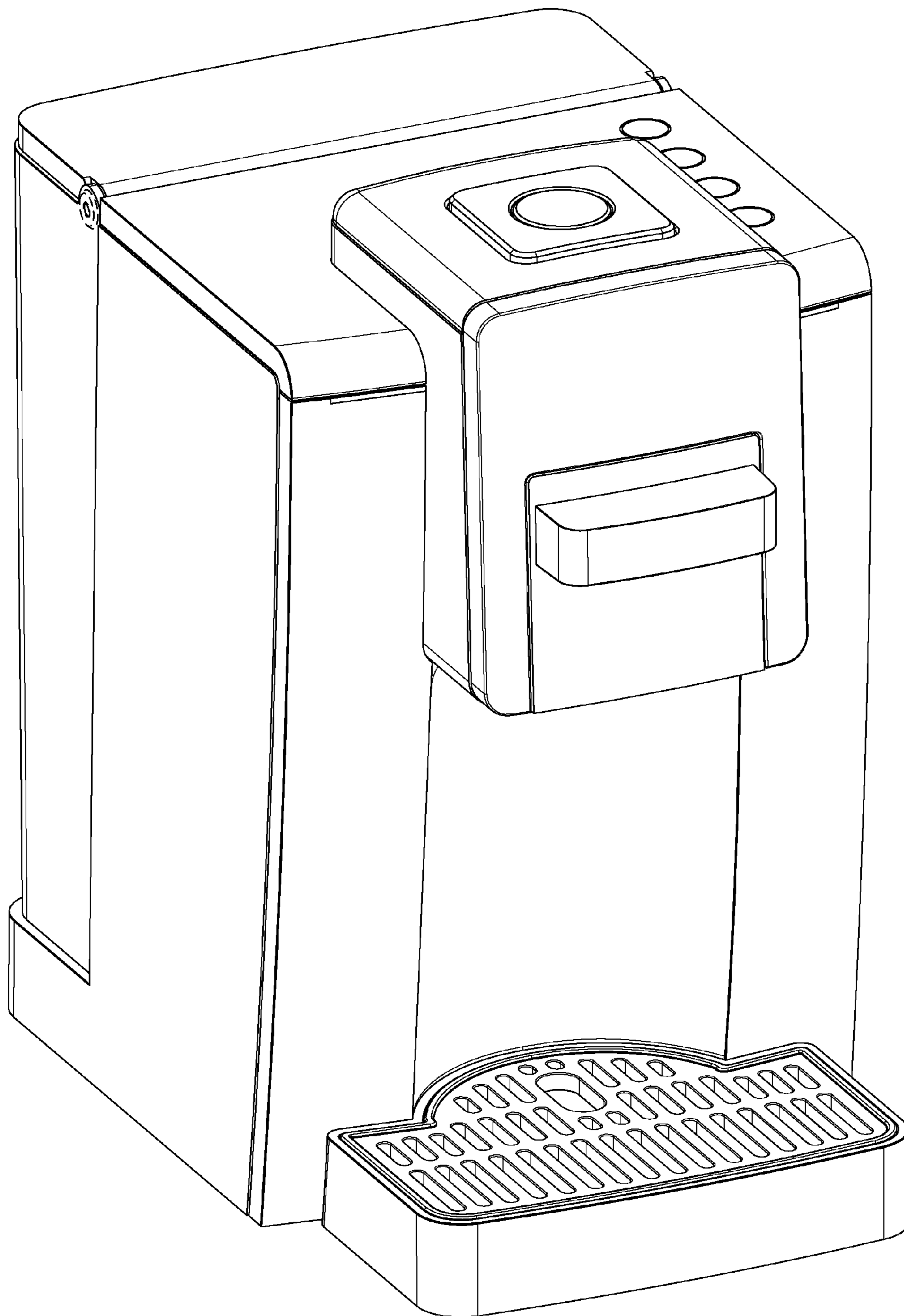


FIG. 1

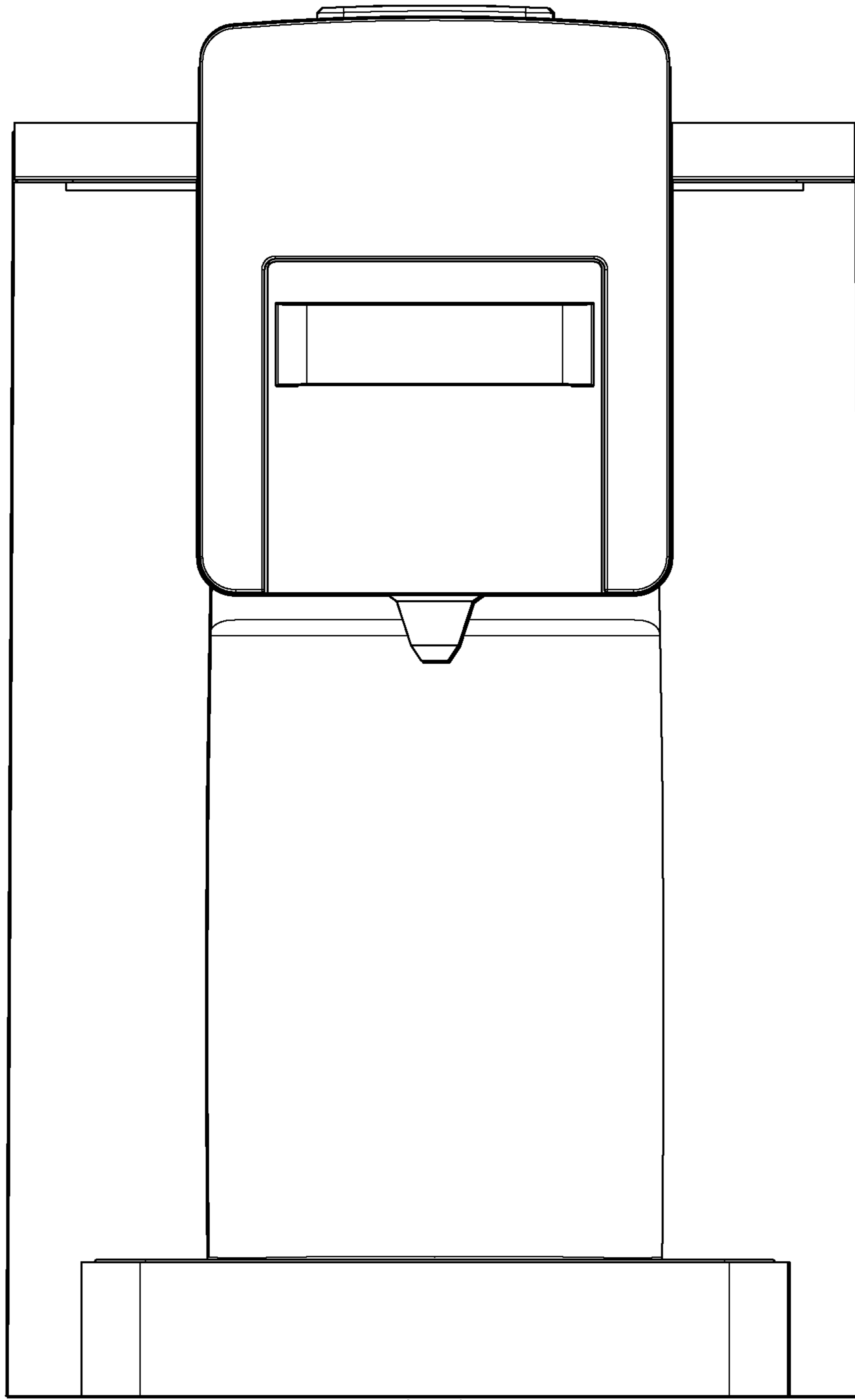


FIG. 2

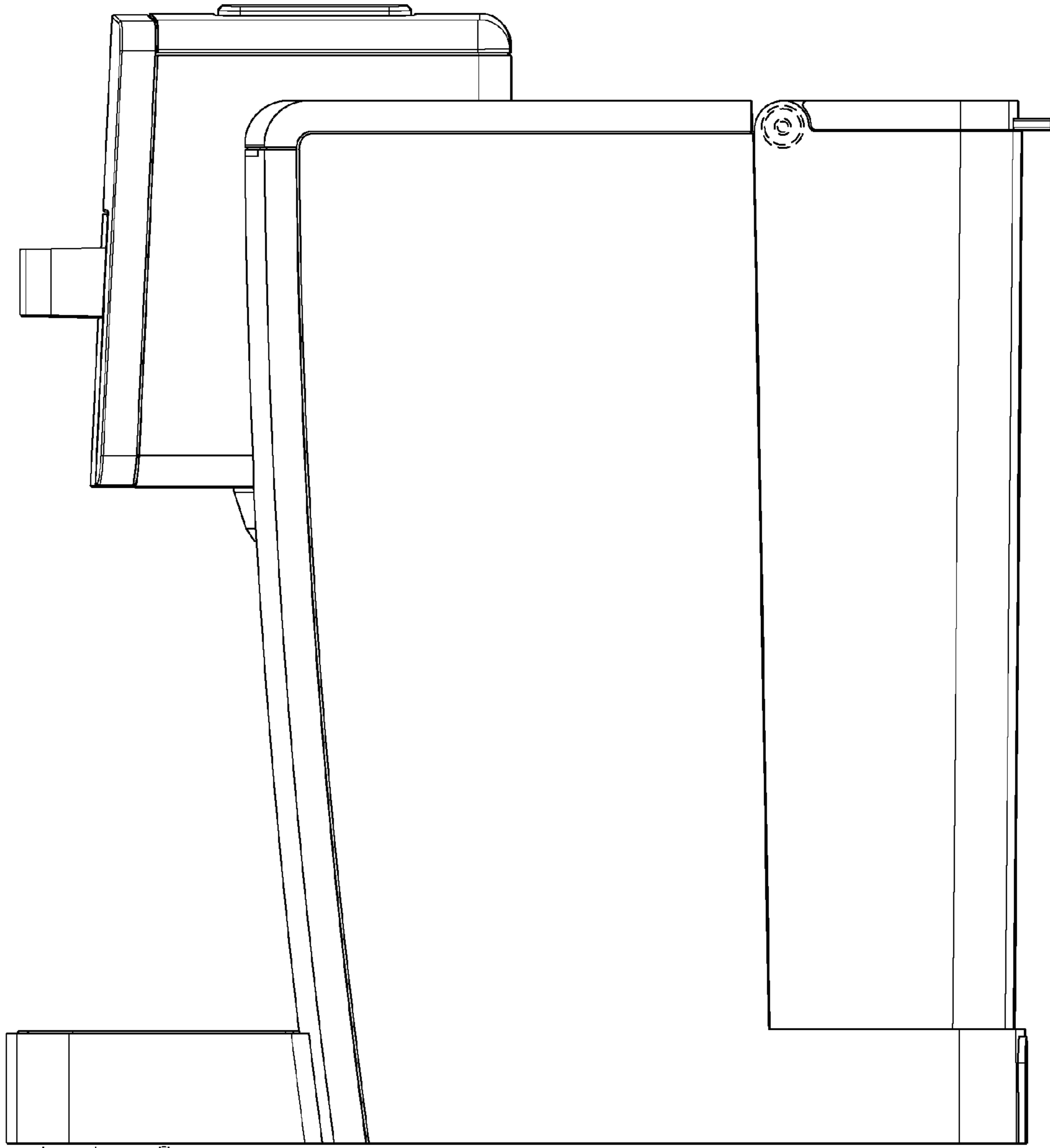


FIG. 3

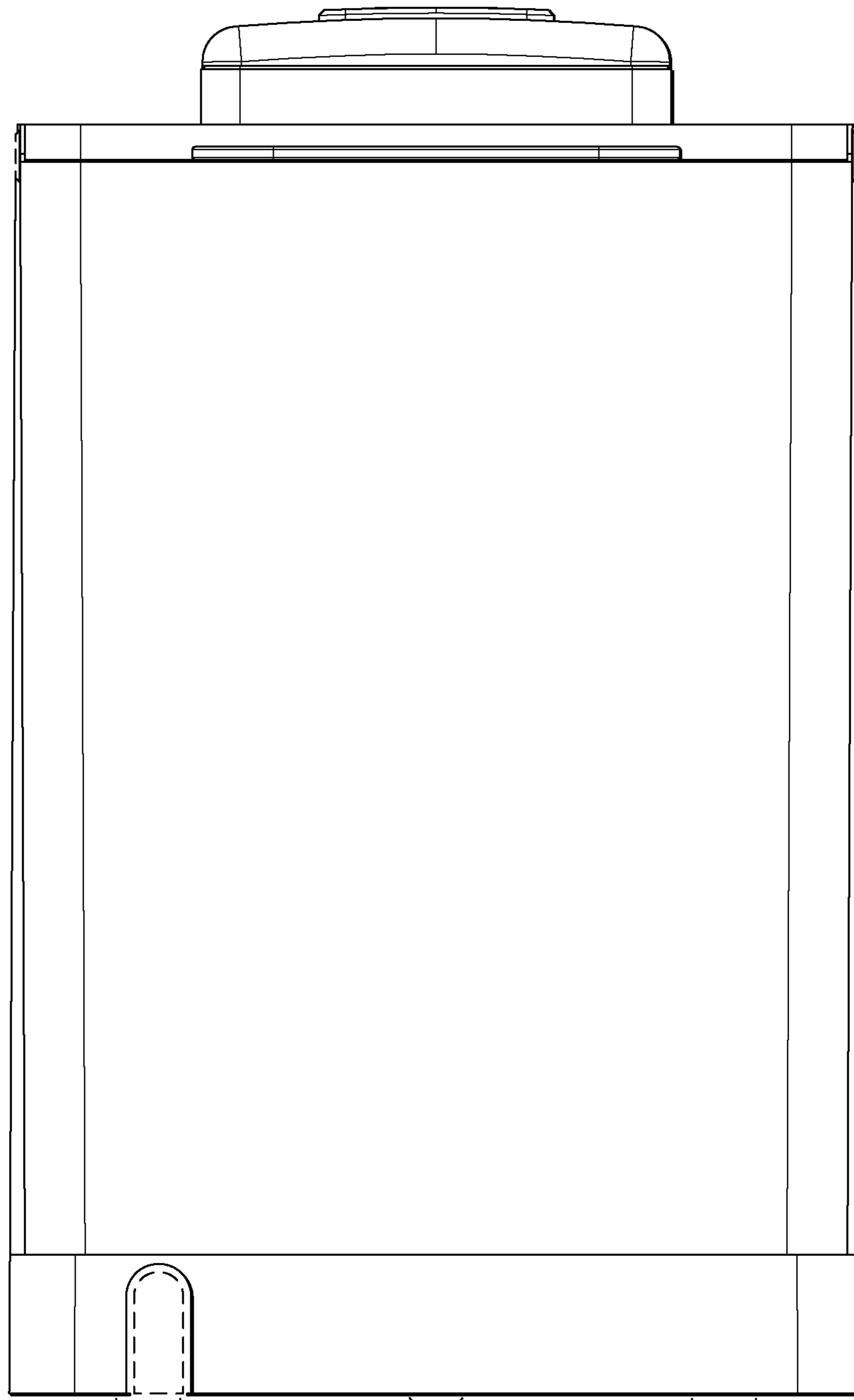


FIG. 4

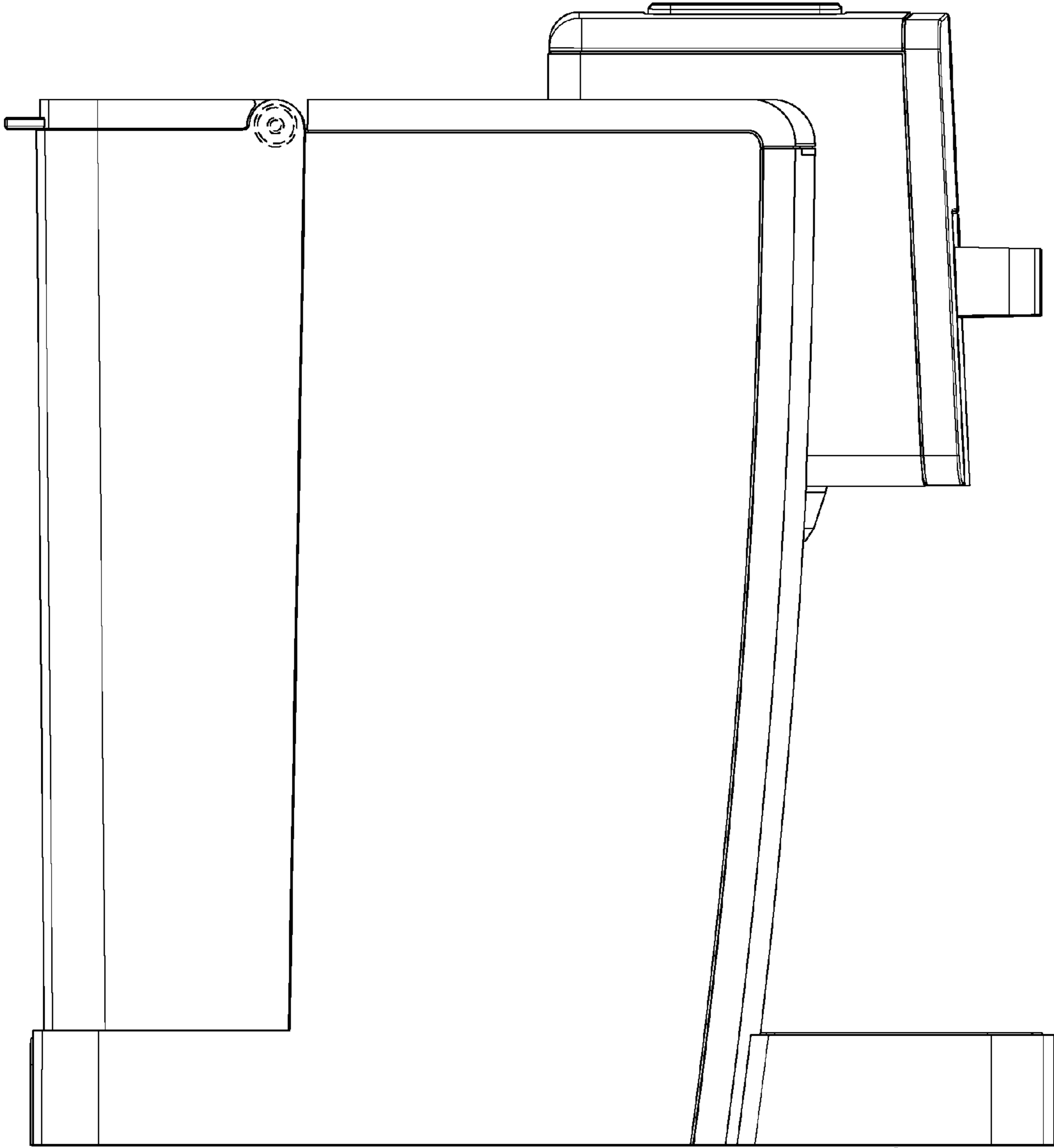


FIG. 5

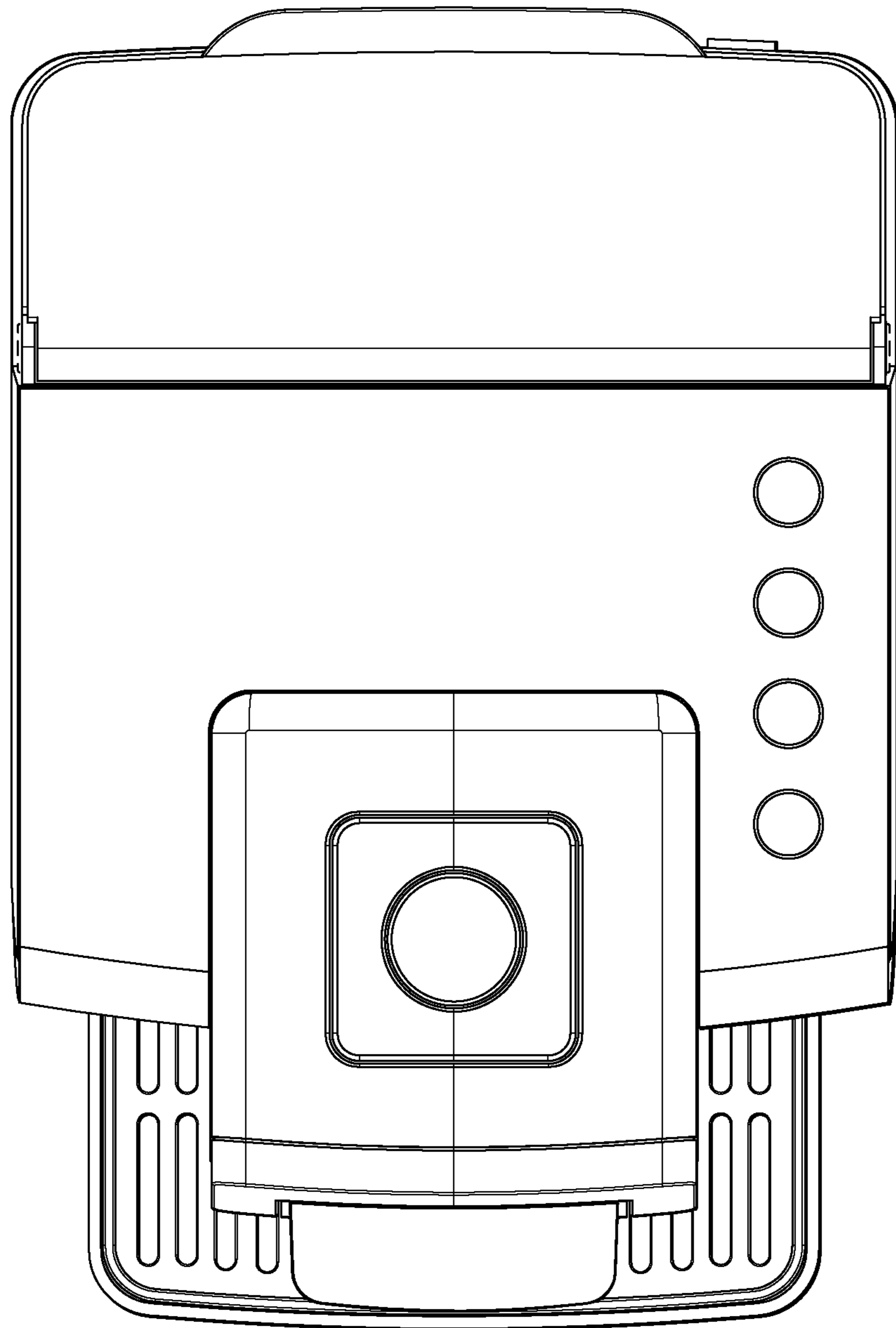


FIG. 6

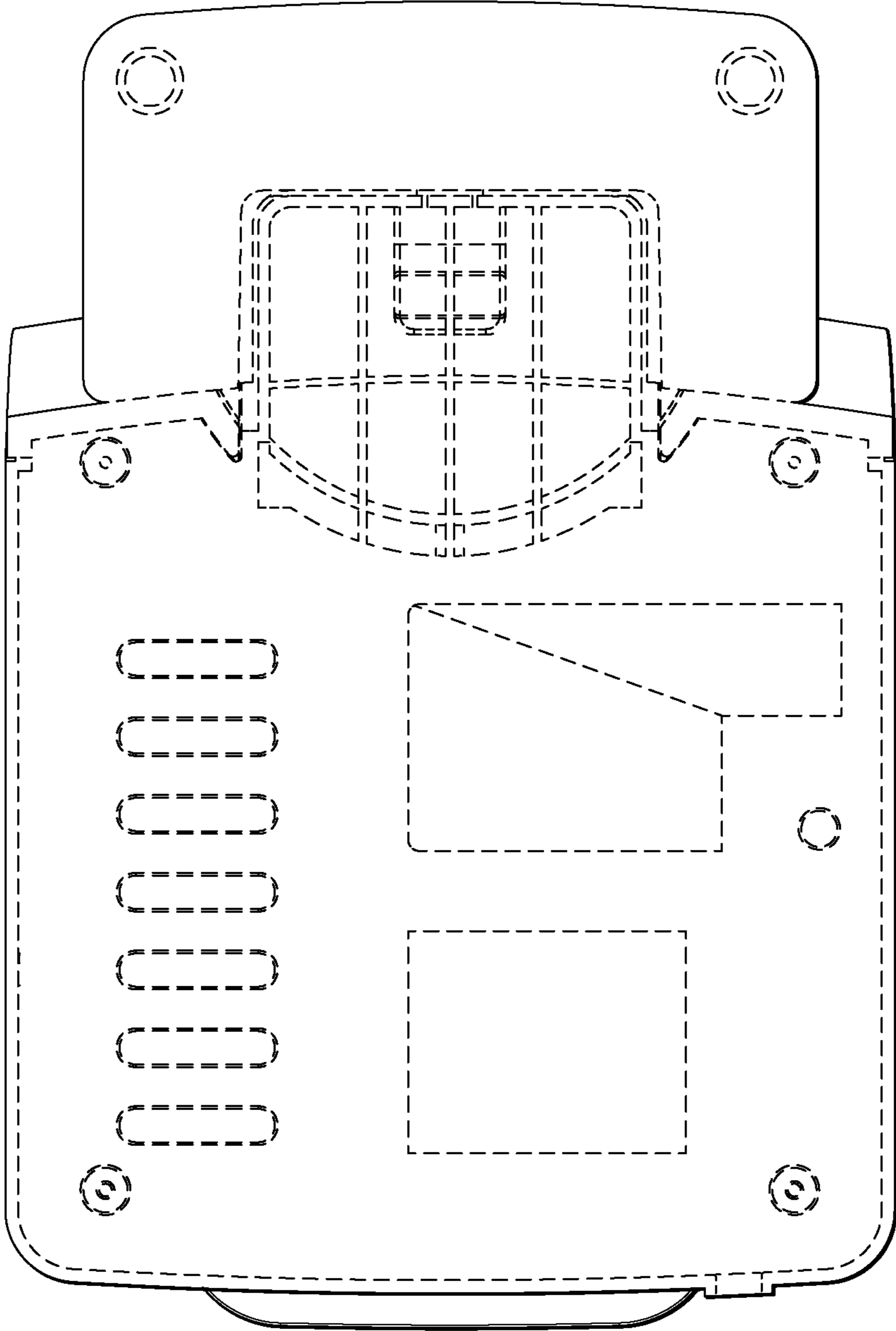


FIG. 7