



US00D771990S

(12) **United States Design Patent** (10) **Patent No.:** **US D771,990 S**
Horowitz (45) **Date of Patent:** **** Nov. 22, 2016**

- (54) **SHAKER BOTTLE**
- (71) Applicant: **Edward Glenn Horowitz**, Pacific Palisades, CA (US)
- (72) Inventor: **Edward Glenn Horowitz**, Pacific Palisades, CA (US)
- (**) Term: **15 Years**
- (21) Appl. No.: **29/544,903**
- (22) Filed: **Nov. 6, 2015**
- (51) **LOC (10) Cl.** **07-01**
- (52) **U.S. Cl.**
USPC **D7/300.1; D7/510; D7/511**
- (58) **Field of Classification Search**
USPC D7/505, 507, 510, 511, 529, 533, 536, D7/300.1, 589, 591, 608, 396.2, 392.1, D7/900; D9/434, 435, 442, 447, 449, 526, D9/517; 220/592.16, 592.17, 495.03, 509, 220/62.12, 703, 705; 215/388, 387
CPC A47J 43/27; A47J 31/002; A47J 31/005; A47J 43/0722; B01F 13/0022; B01F 15/00512; B01F 15/00564; B01F 11/0005; B01F 2215/0022; A23G 9/52
See application file for complete search history.

- (56) **References Cited**
U.S. PATENT DOCUMENTS
3,760,972 A * 9/1973 McKirnan A47G 19/12 206/515
D451,760 S * 12/2001 Fox D7/510
D510,235 S * 10/2005 Sorensen D7/510
D531,451 S * 11/2006 Bin D7/510
D640,093 S * 6/2011 Picozza D7/376
D644,065 S * 8/2011 Llerena D7/300.1
D666,047 S * 8/2012 Lin D7/300.1
D699,996 S * 2/2014 De Leo D7/300.1
D700,014 S * 2/2014 Zeanah D7/510

- 8,695,830 B2 * 4/2014 Meyers B65D 51/242 215/228
- D721,276 S * 1/2015 Herbst D7/396.2
- D723,332 S * 3/2015 Steel D7/510
- D726,476 S * 4/2015 Ercanbrack D7/300.1
- D730,694 S * 6/2015 Elsaden D7/511
- D751,344 S * 3/2016 Charlton D7/300.1
- D752,390 S * 3/2016 Ksiazek D7/300.1
- D758,127 S * 6/2016 Zhao D7/392.1
- 2011/0220674 A1 * 9/2011 Honeyghan A47G 19/22 220/849

* cited by examiner

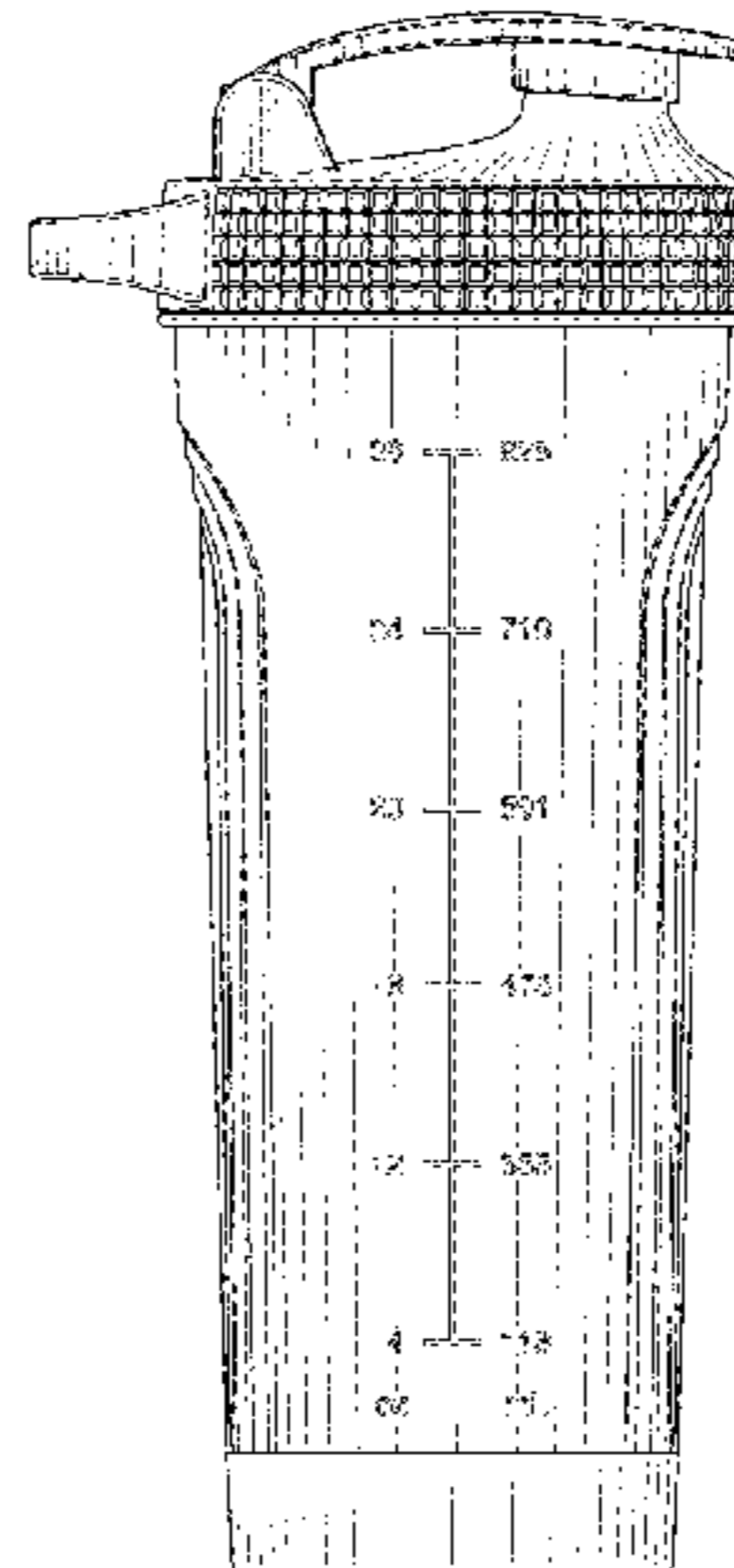
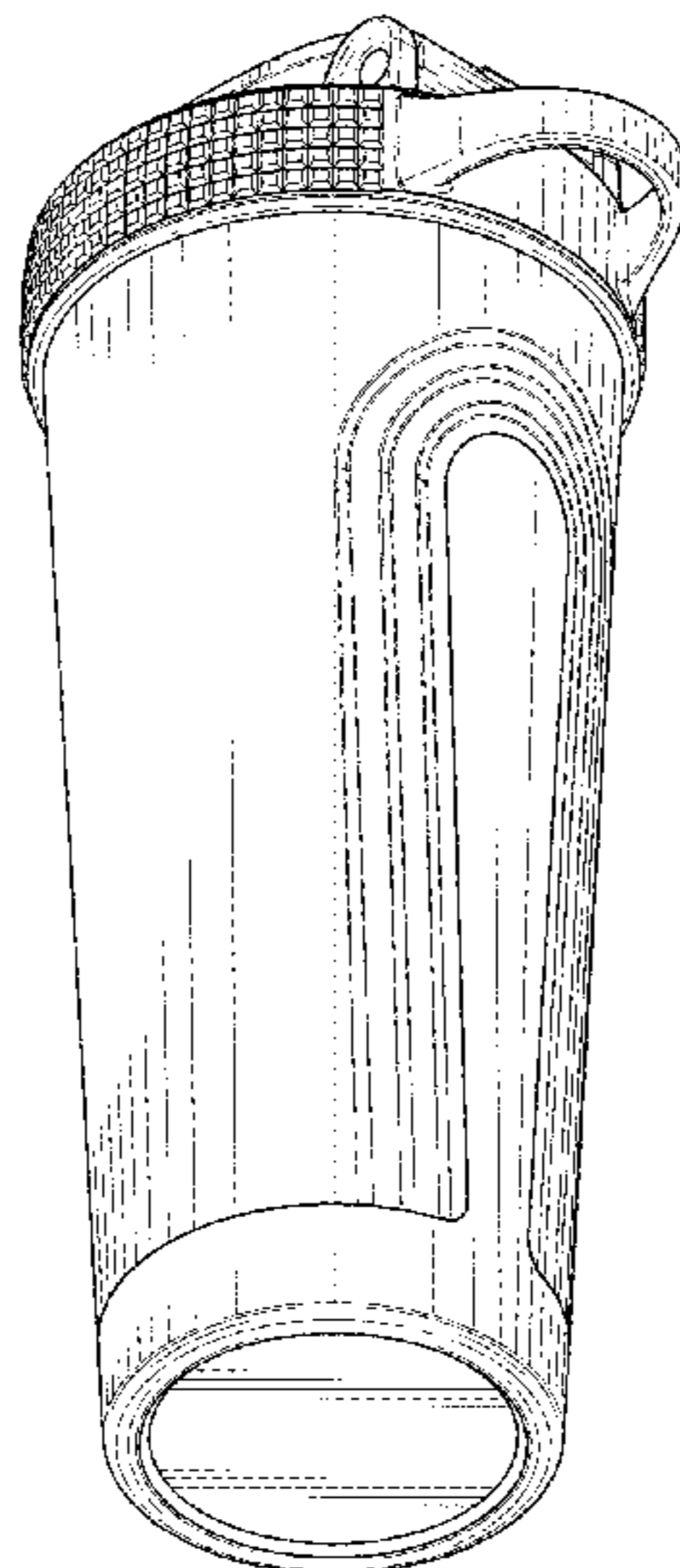
Primary Examiner — Marianne Pandozzi
Assistant Examiner — Jae Liang
(74) *Attorney, Agent, or Firm* — Katarzyna Zebrowska

(57) **CLAIM**
The ornamental design for a shaker bottle, as shown and described.

DESCRIPTION

FIG. 1 is a top left perspective view of a first embodiment of a shaker bottle showing my new design;
FIG. 2 is a bottom right perspective view thereof;
FIG. 3: is a front view thereof;
FIG. 4: is a rear view thereof;
FIG. 5 is a left side view thereof;
FIG. 6 is a right side view thereof;
FIG. 7: is a top plan view thereof;
FIG. 8: is a bottom plan view thereof;
FIG. 9 is a top left perspective view of a second embodiment of a shaker bottle;
FIG. 10: is a bottom right perspective view thereof;
FIG. 11: is a front view thereof;
FIG. 12: is a rear view thereof;
FIG. 13 is a left side view thereof;
FIG. 14 is a right side view thereof;
FIG. 15: is a top plan view thereof; and,
FIG. 16: is a bottom plan view thereof.

1 Claim, 14 Drawing Sheets



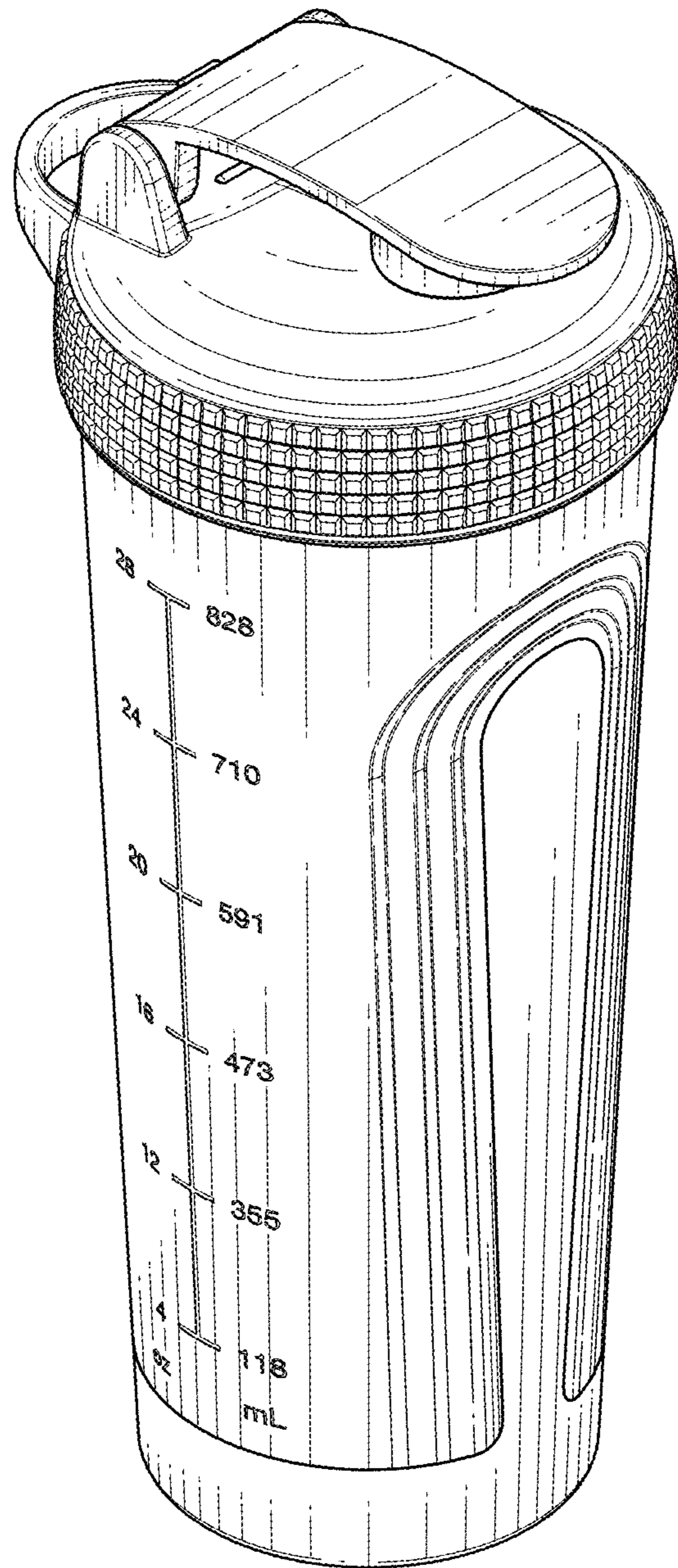


FIG. 1

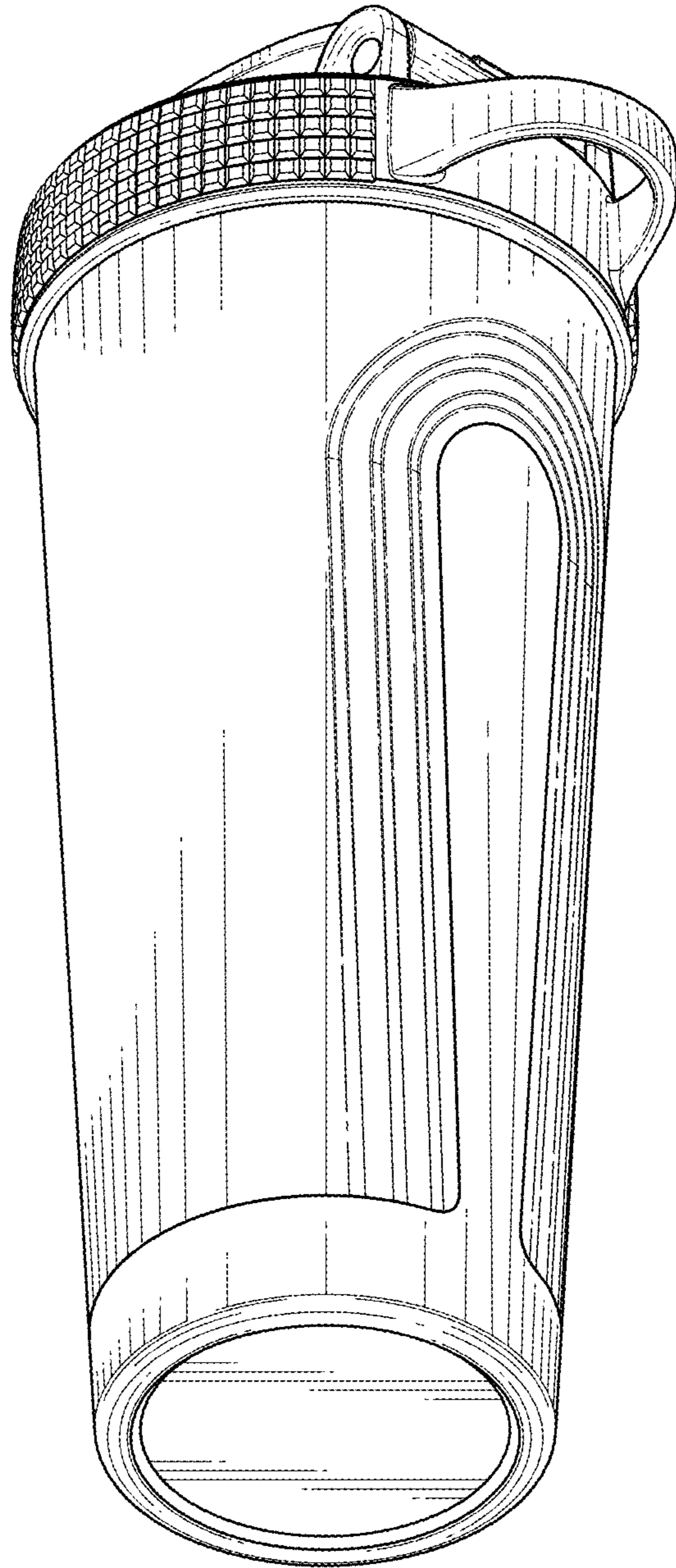


FIG. 2

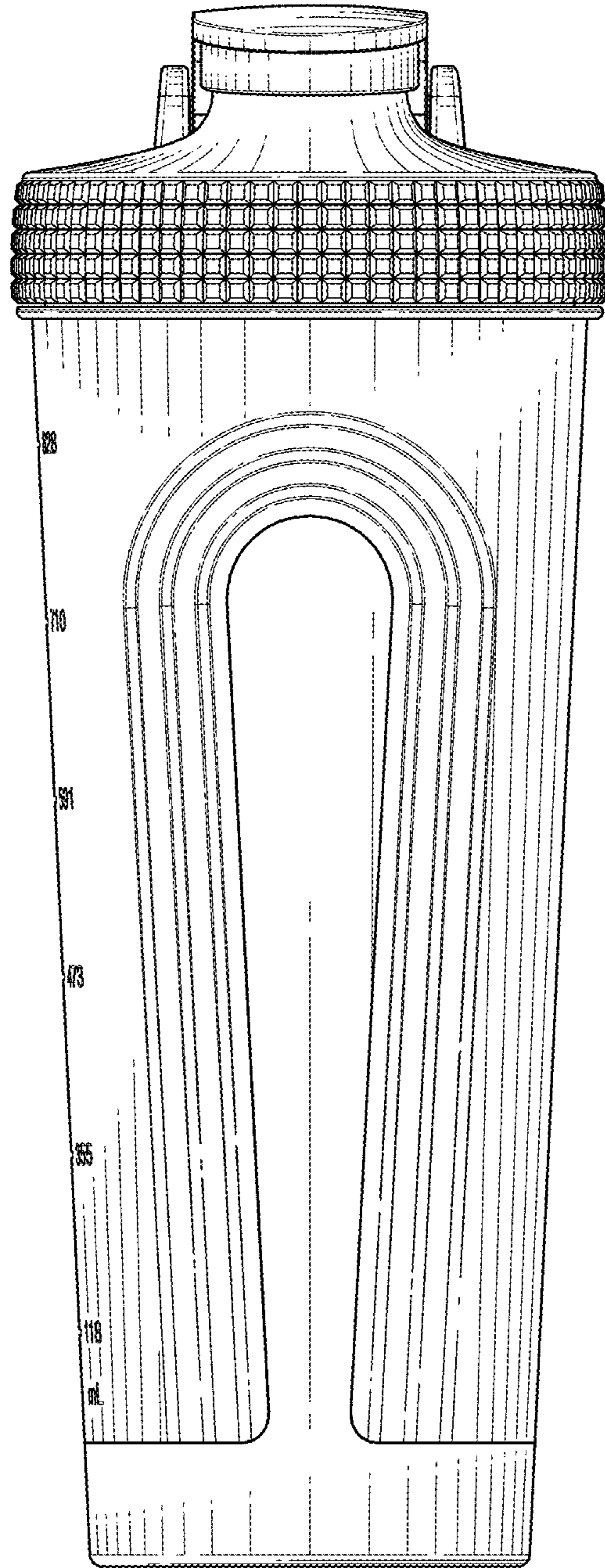


FIG. 3

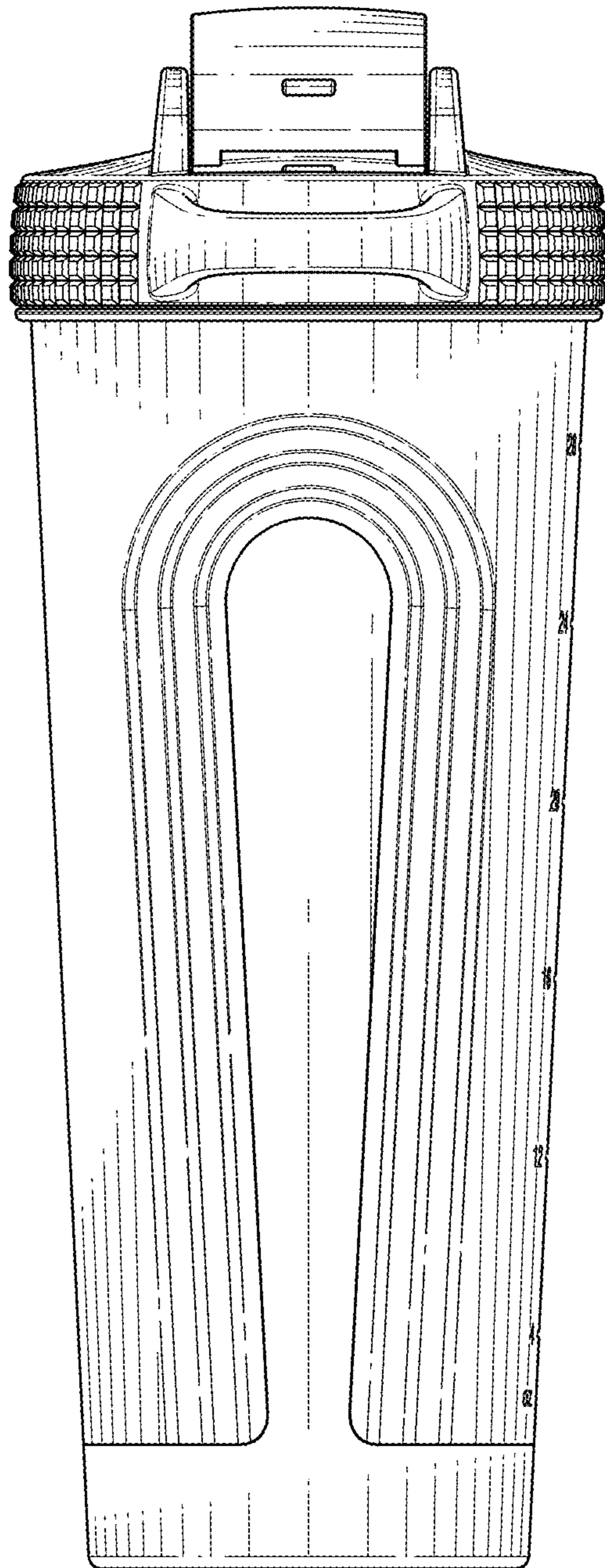


FIG. 4

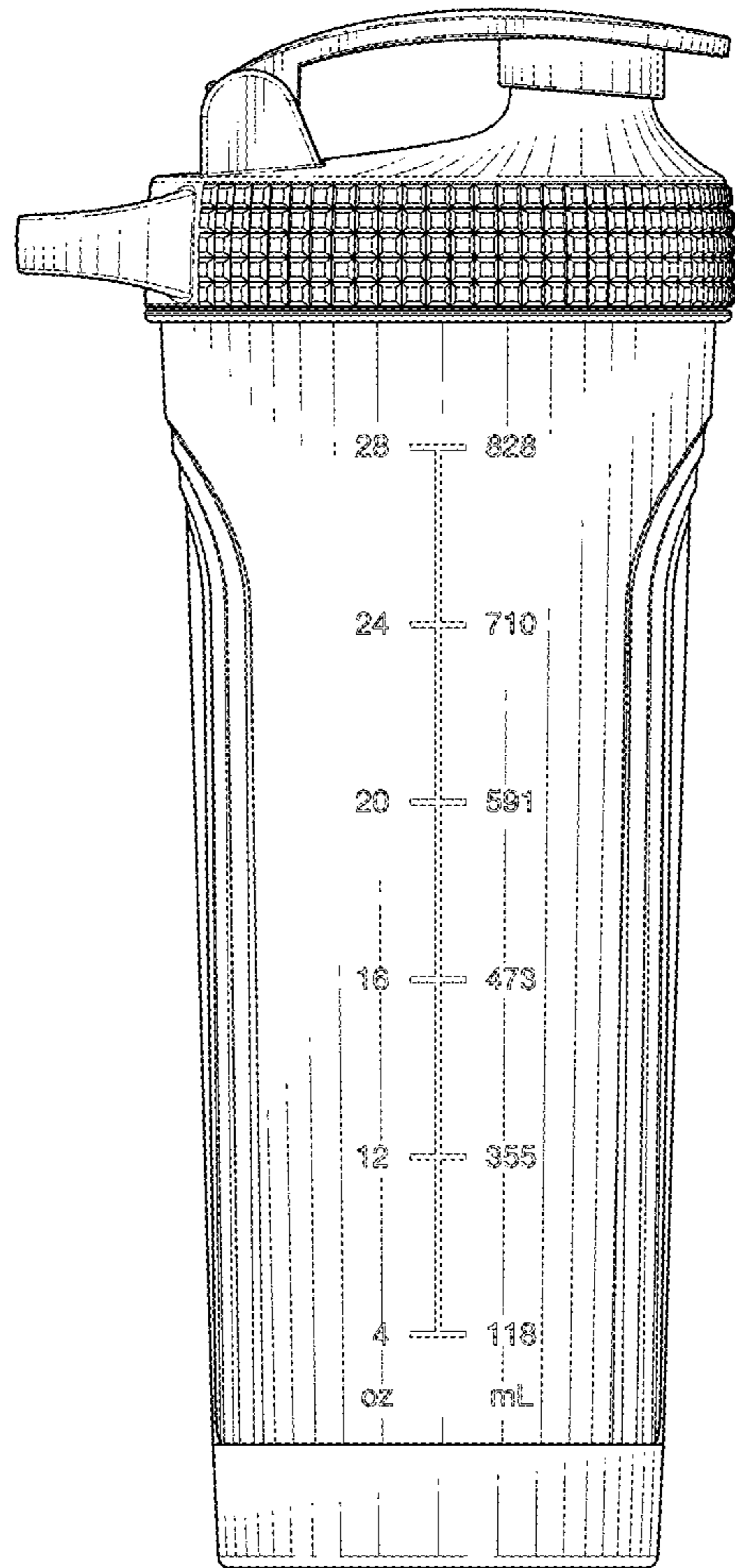


FIG. 5

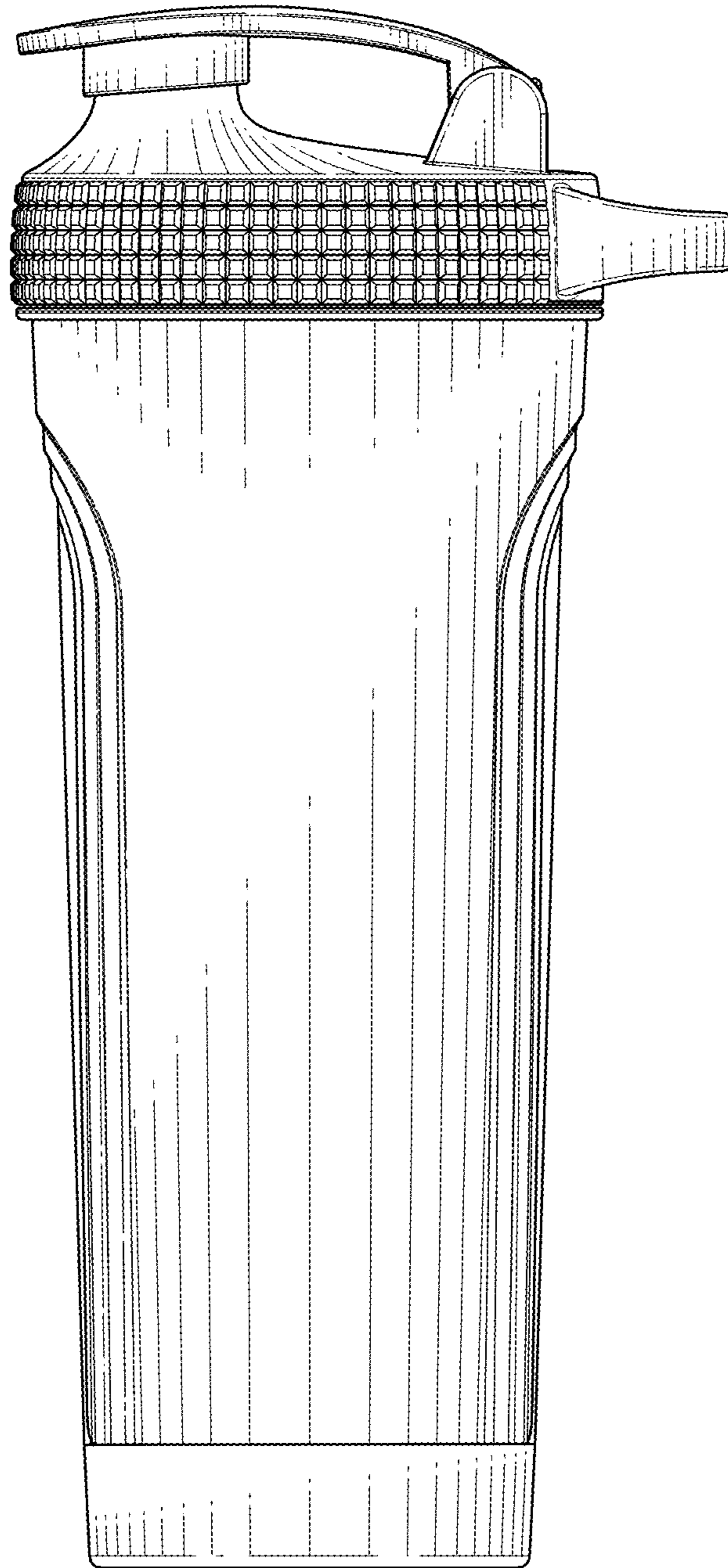


FIG. 6

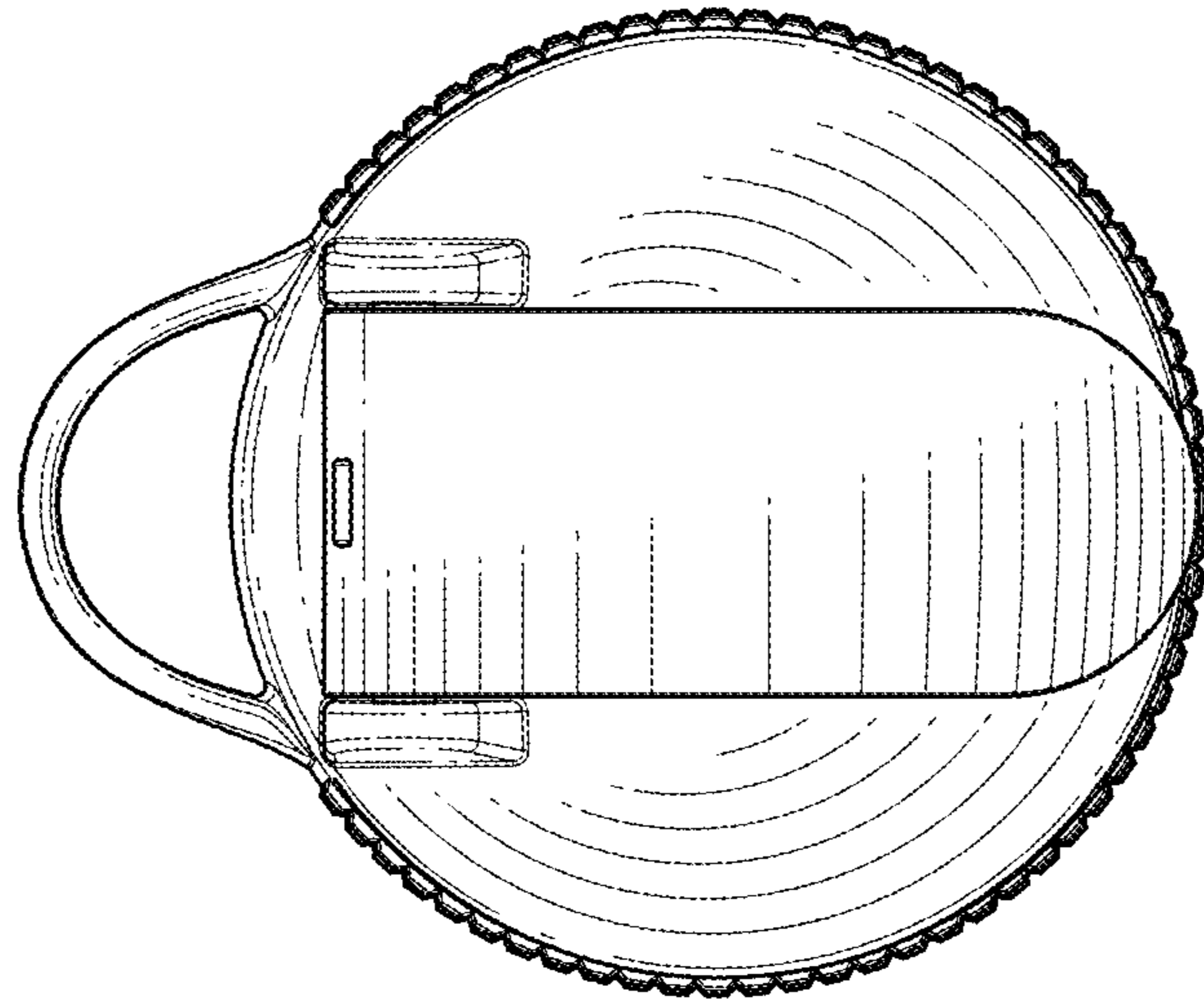


FIG. 7

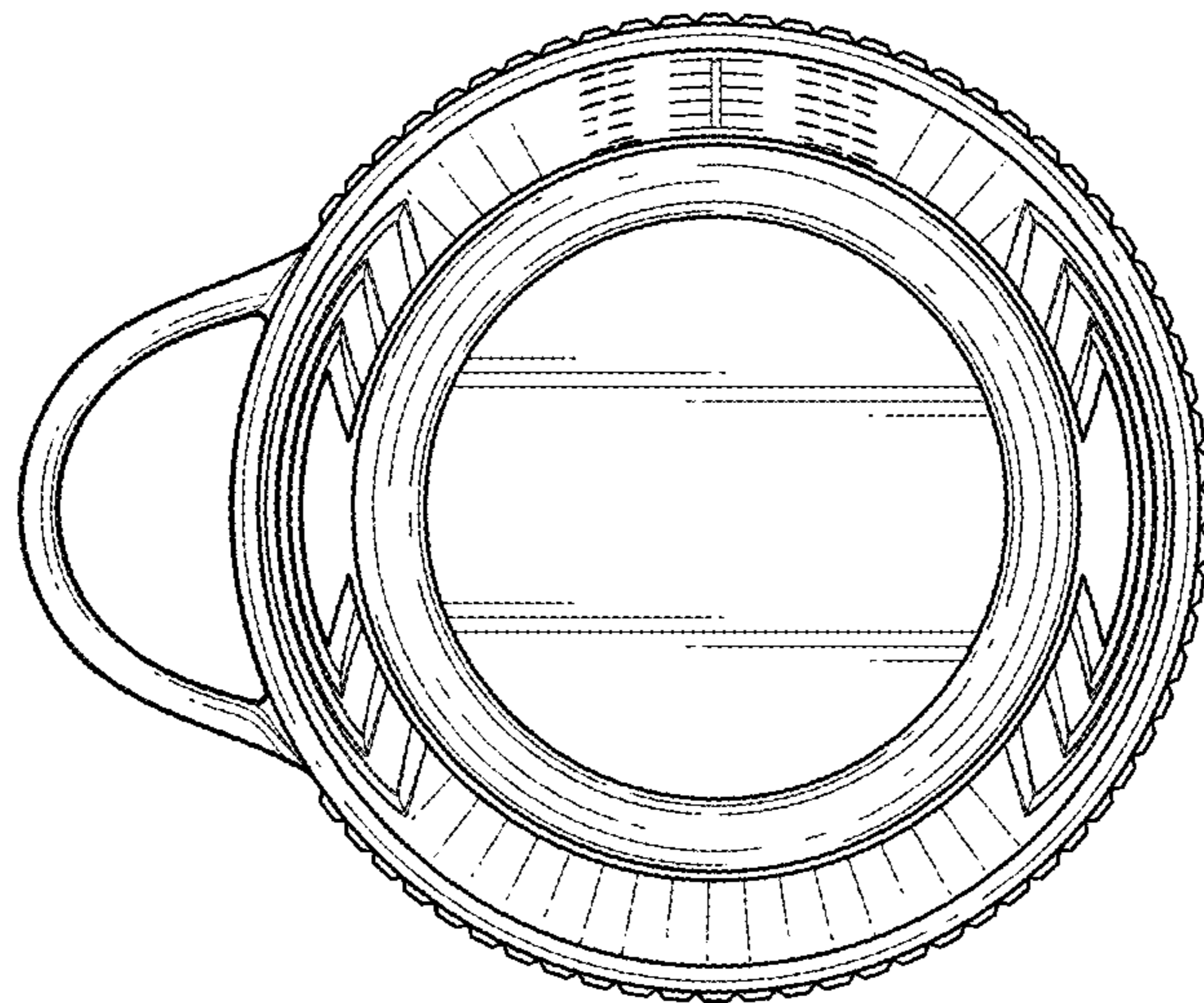


FIG. 8

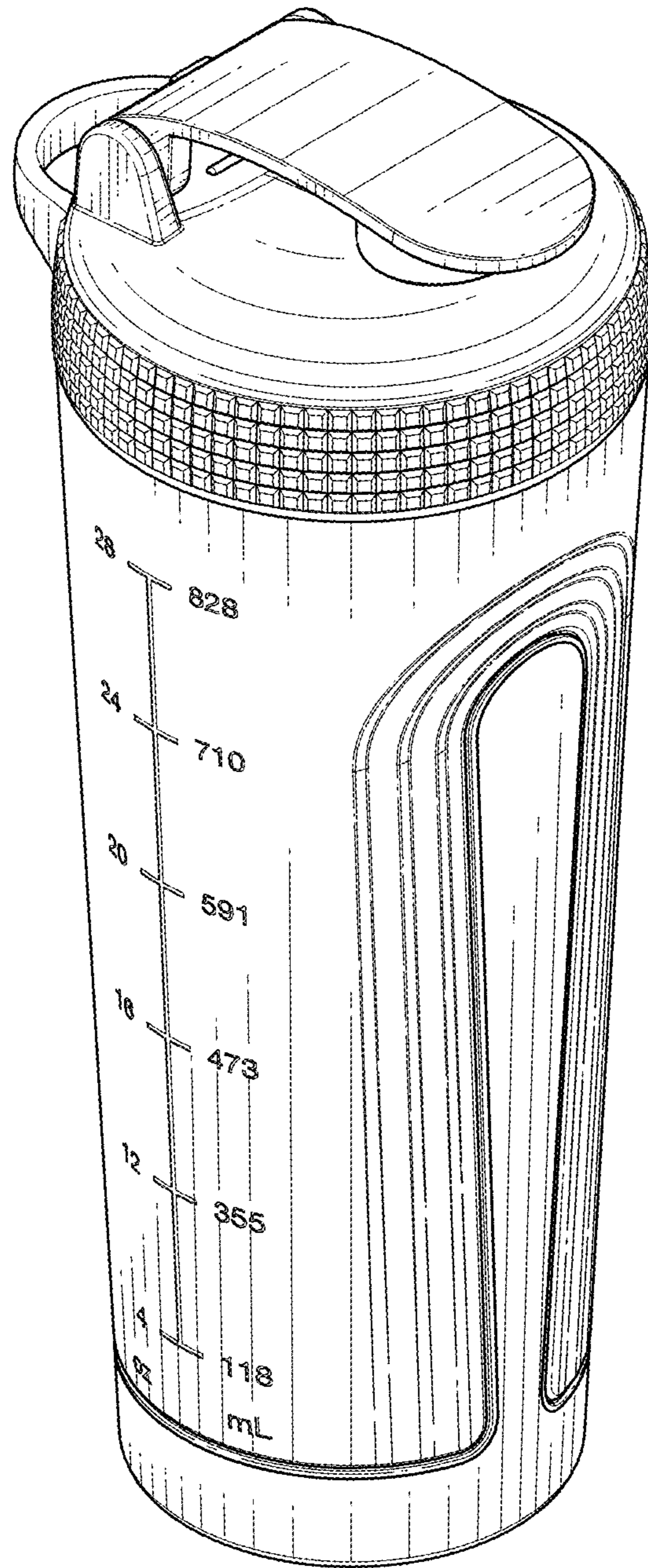


FIG. 9

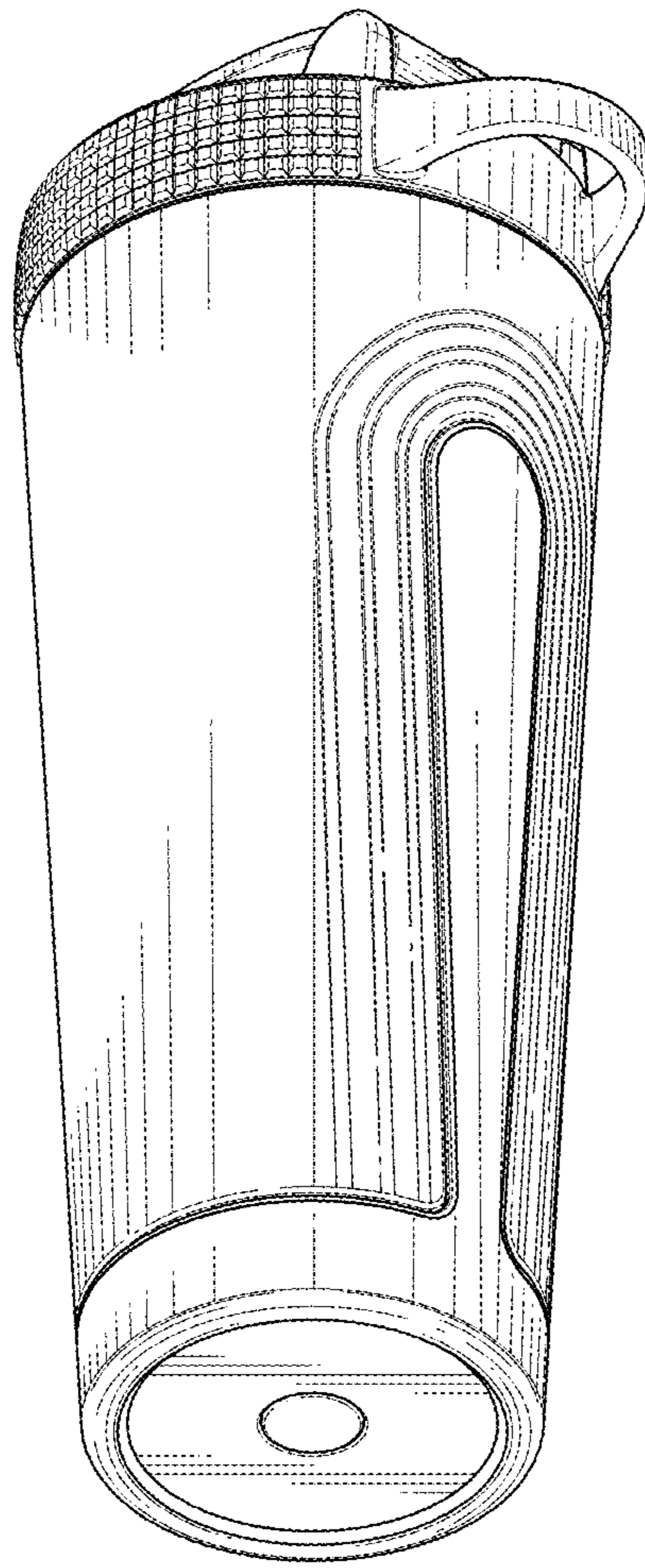


FIG. 10

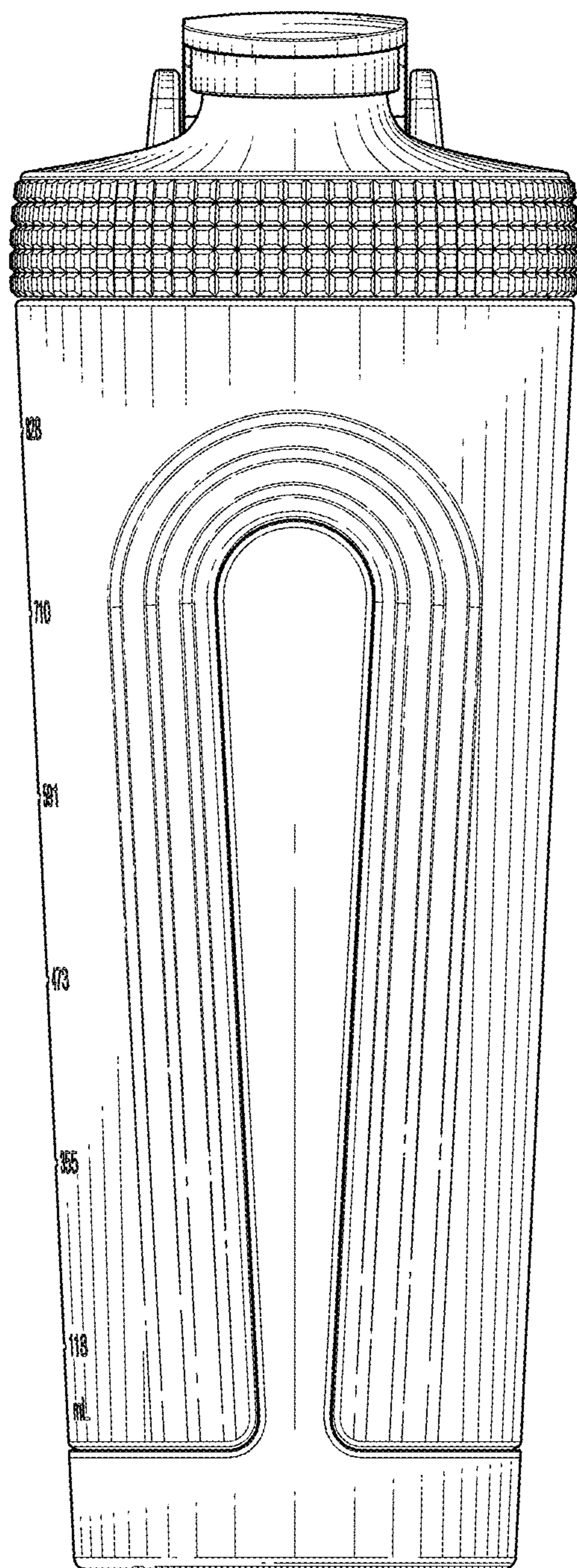


FIG. 11

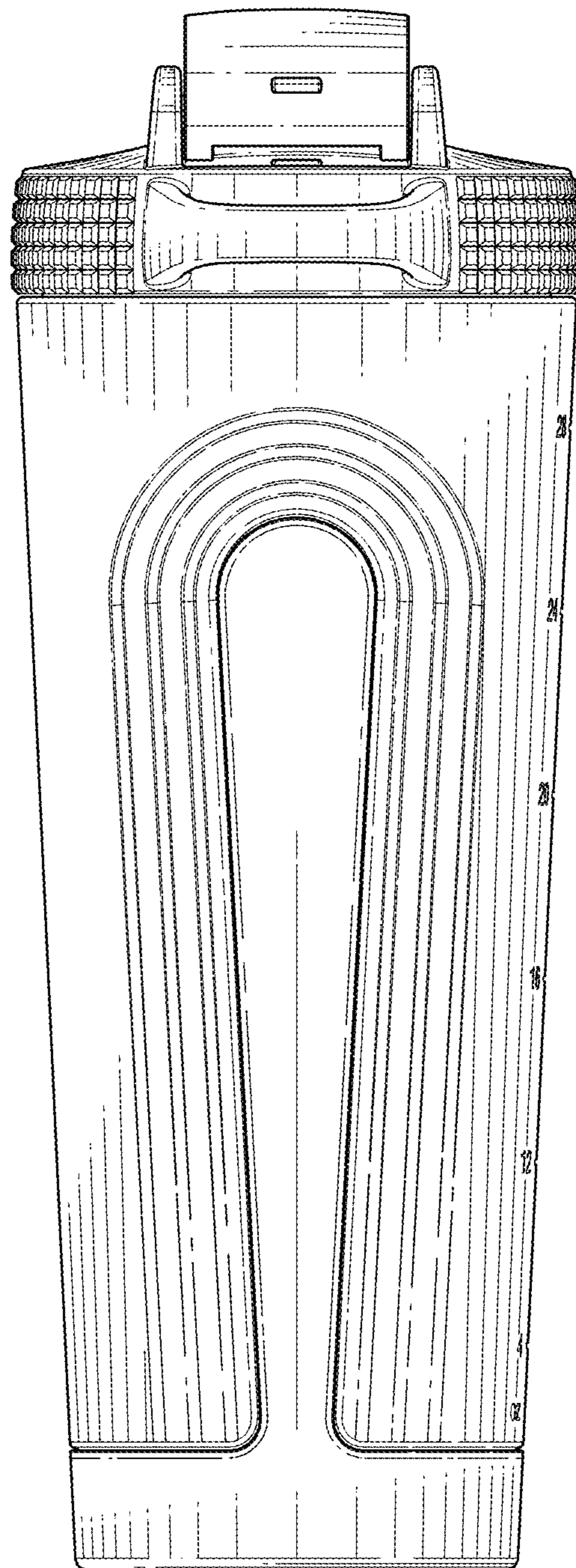


FIG. 12

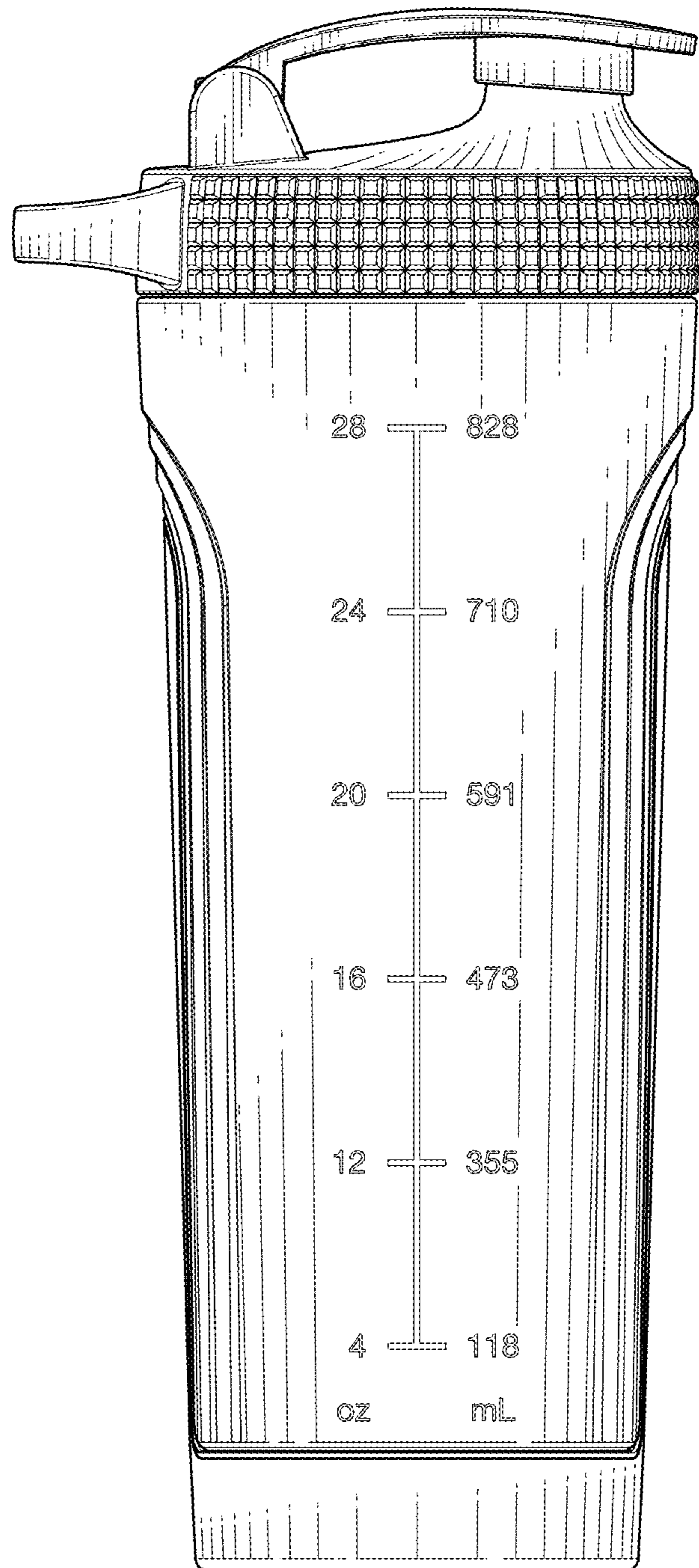


FIG. 13

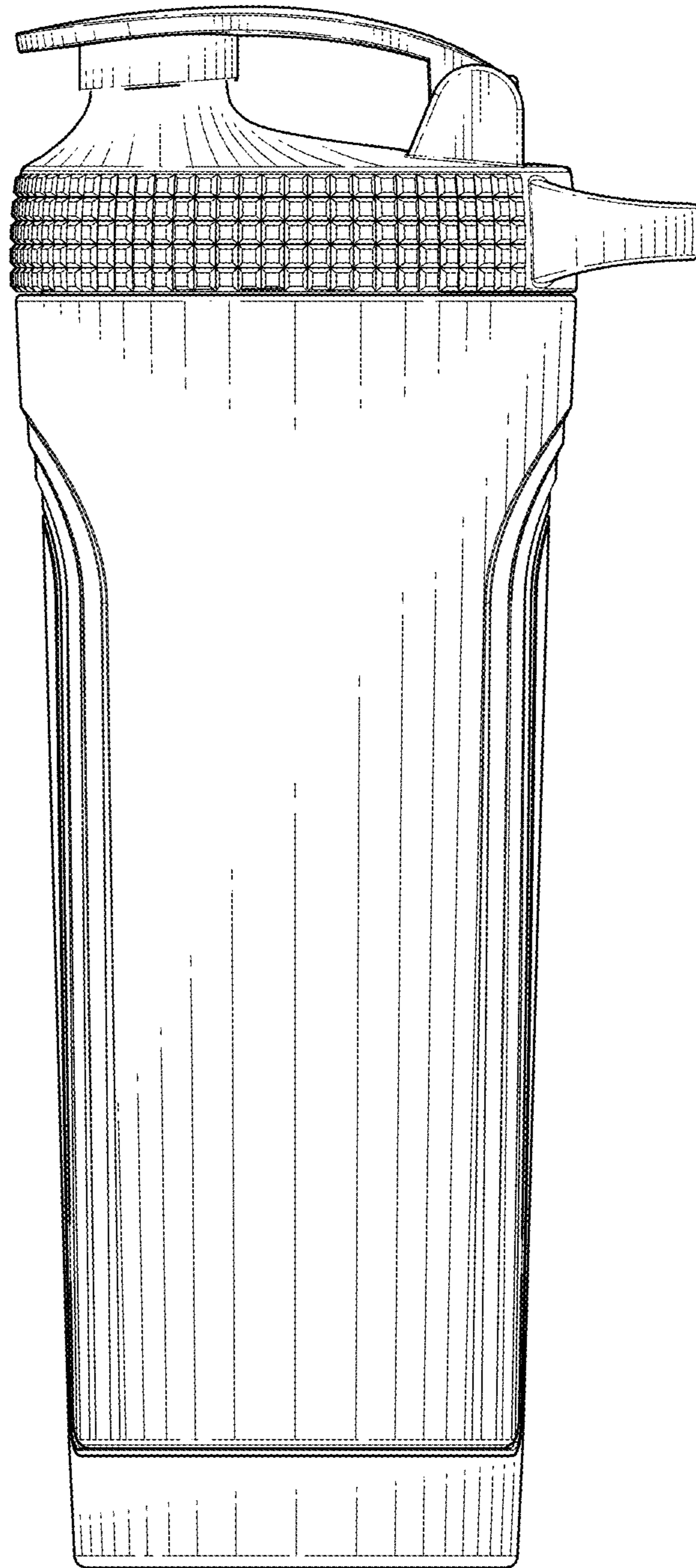


FIG. 14

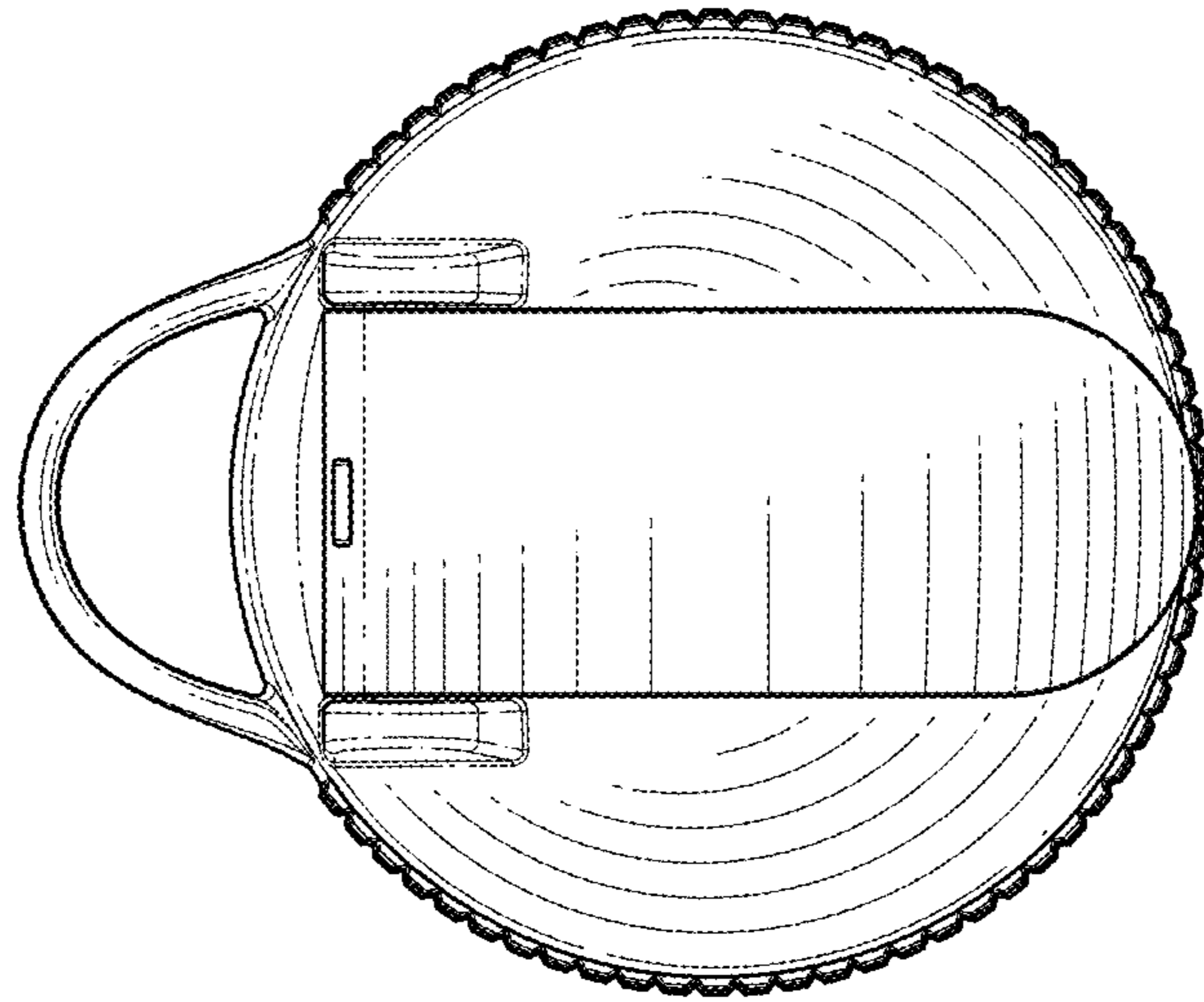


FIG. 15

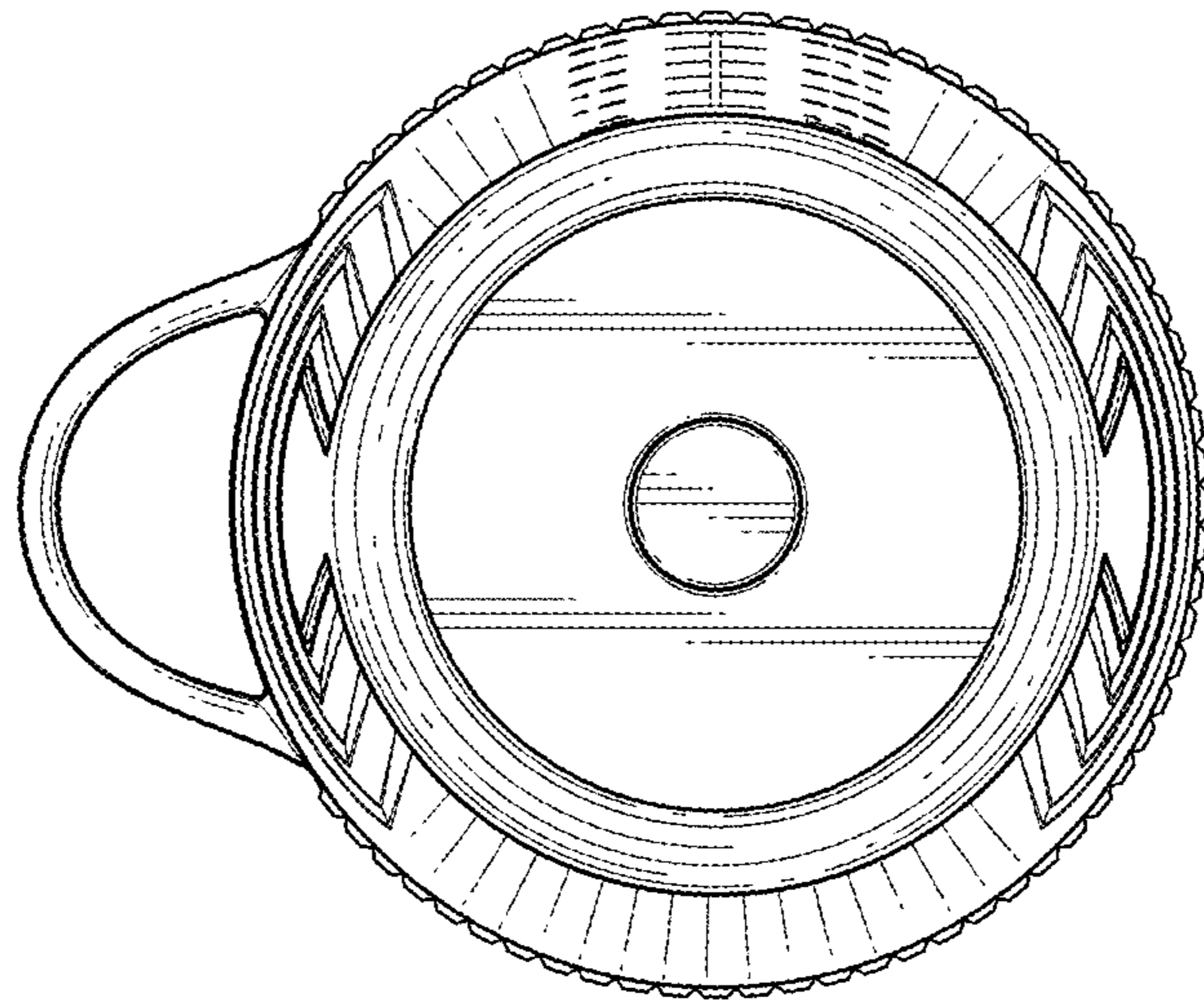


FIG. 16