



US00D771985S

(12) **United States Design Patent** (10) **Patent No.:** **US D771,985 S**  
**Deen** (45) **Date of Patent:** **\*\* Nov. 22, 2016**

(54) **SHOWER LEDGE**  
(71) Applicant: **Andrew C. Deen**, Springfield, IL (US)  
(72) Inventor: **Andrew C. Deen**, Springfield, IL (US)  
(\*\*) Term: **14 Years**  
(21) Appl. No.: **29/524,811**  
(22) Filed: **Apr. 23, 2015**  
(51) **LOC (10) Cl.** ..... **06-07**  
(52) **U.S. Cl.**  
USPC ..... **D6/676**  
(58) **Field of Classification Search**  
USPC ..... D6/676, 329, 468, 524, 525, 527, 553,  
D6/570, 574; 29/462; 108/42, 59, 106,  
108/144.11, 147.11, 147.14-147.17, 171;  
211/13.1, 71.01, 85.12, 86.01, 87.01,  
211/88.01, 90.01, 105.1, 110, 126.1, 134,  
211/153, 175, 207; 248/105, 435, 447.1,  
248/465, 583  
CPC ..... A47K 2201/00; A47K 2201/02;  
A47K 3/004; A47K 3/40; A47K 3/125;  
A47K 1/09; A47K 3/122; A47B 81/002;  
A47B 96/066; A47B 2230/0059  
See application file for complete search history.

D375,421 S \* 11/1996 Weiner ..... D20/10  
6,301,725 B1 \* 10/2001 Harvey ..... A47K 3/282  
4/611  
D541,090 S \* 4/2007 Olofson ..... D6/553  
7,987,535 B1 \* 8/2011 Tesch ..... A47C 15/002  
108/42  
D677,935 S \* 3/2013 Pirayesh ..... D6/676  
8,857,109 B1 \* 10/2014 Kirby ..... A47K 3/282  
211/119.009  
2009/0183306 A1 \* 7/2009 Kik, Jr. .... A47K 3/282  
4/611

\* cited by examiner

*Primary Examiner* — Wan Laymon  
*Assistant Examiner* — Mark Booker  
(74) *Attorney, Agent, or Firm* — Dunlap Bennett & Ludwig PLLC

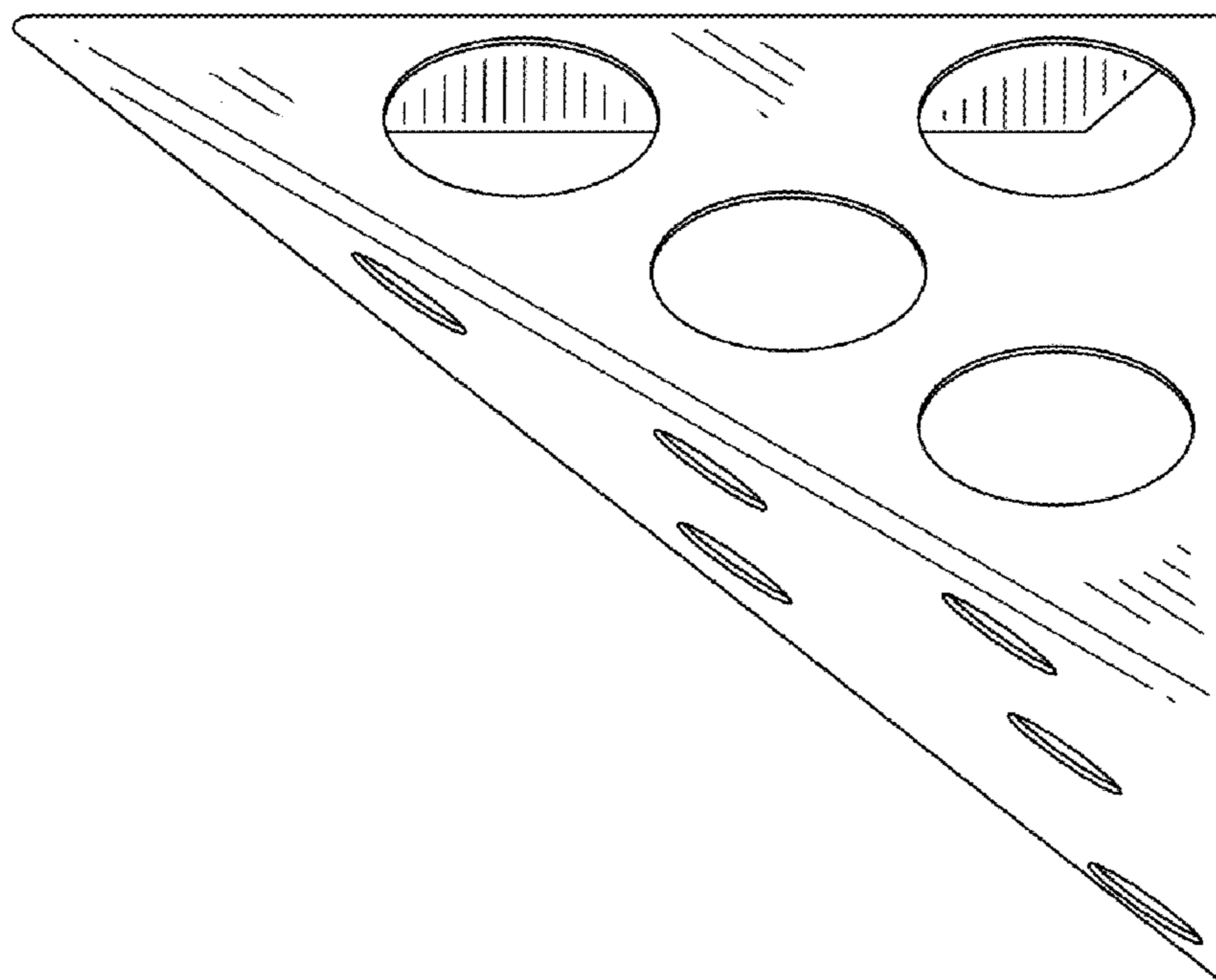
(57) **CLAIM**  
The ornamental design for a shower ledge, as shown and described.

**DESCRIPTION**

FIG. 1 is a top front perspective view of a shower ledge;  
FIG. 2 is a front elevation view thereof;  
FIG. 3 is a rear elevation view thereof;  
FIG. 4 is a left side elevation view thereof, the right side  
elevation view being mirror image thereof;  
FIG. 5 is a top plan view thereof; and,  
FIG. 6 is a bottom plan view thereof.

**1 Claim, 3 Drawing Sheets**

(56) **References Cited**  
U.S. PATENT DOCUMENTS  
D286,120 S \* 10/1986 Szablak ..... D6/553  
5,542,218 A \* 8/1996 Rompel ..... A47K 3/40  
4/611



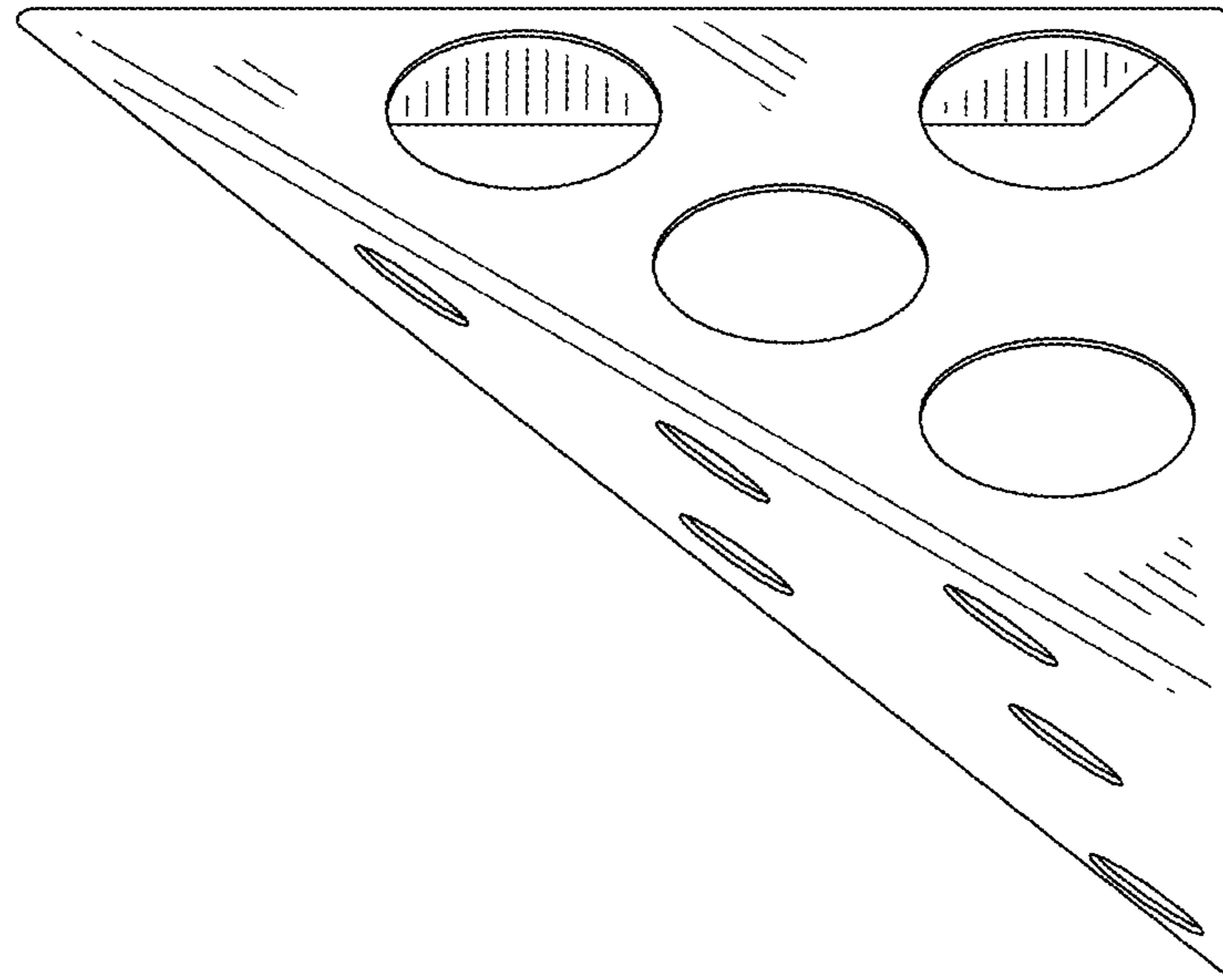


FIG. 1

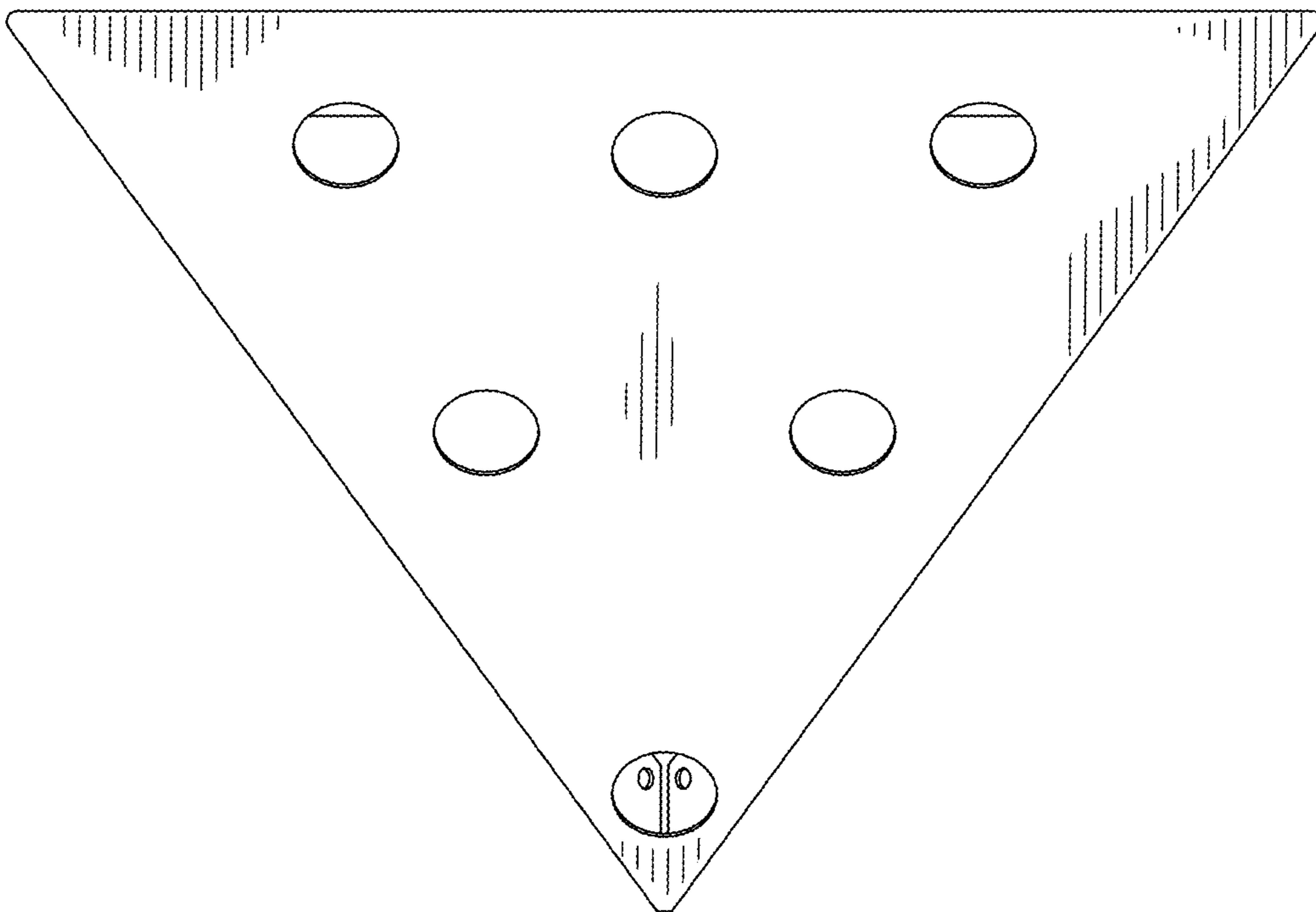


FIG. 2

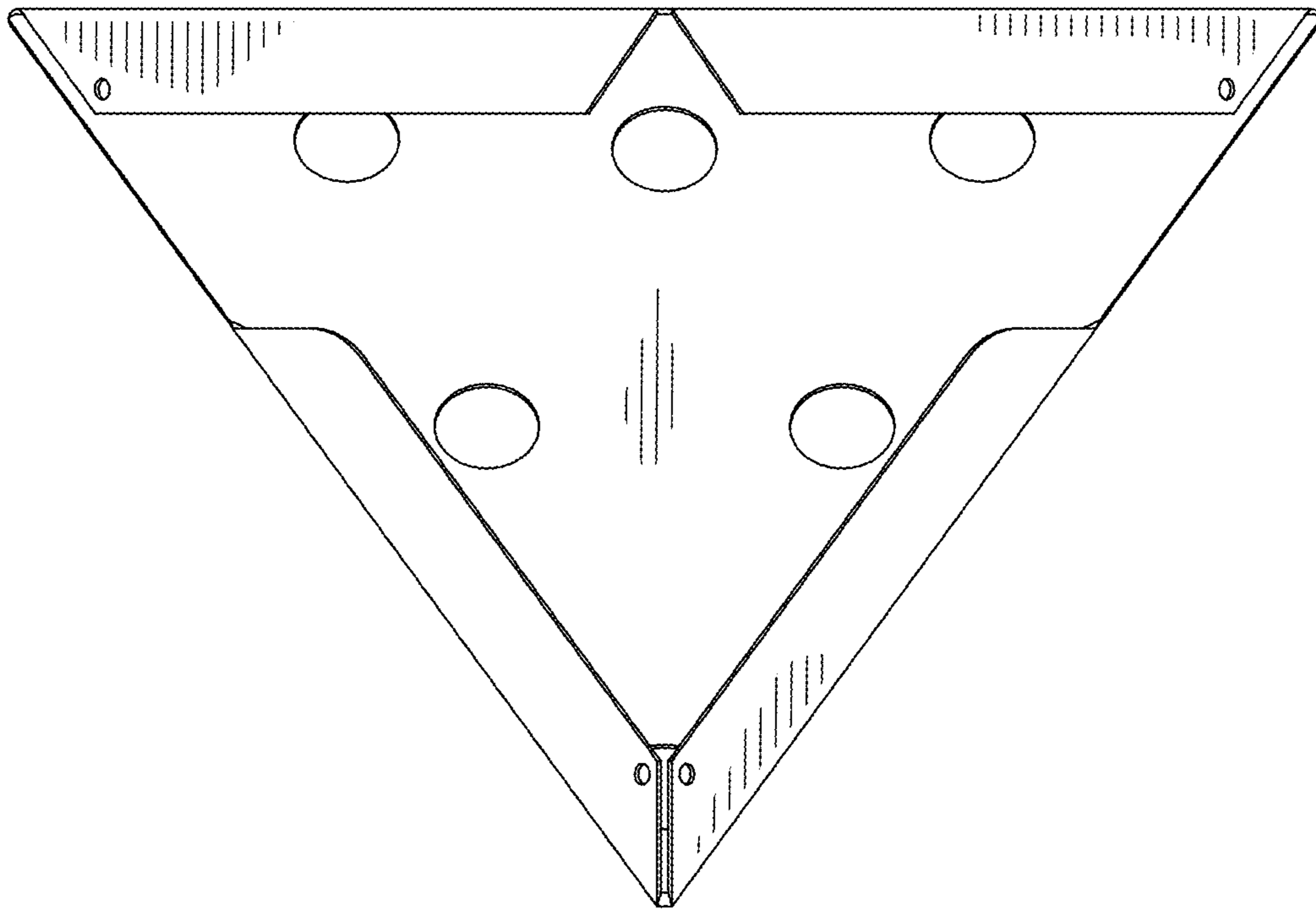


FIG. 3

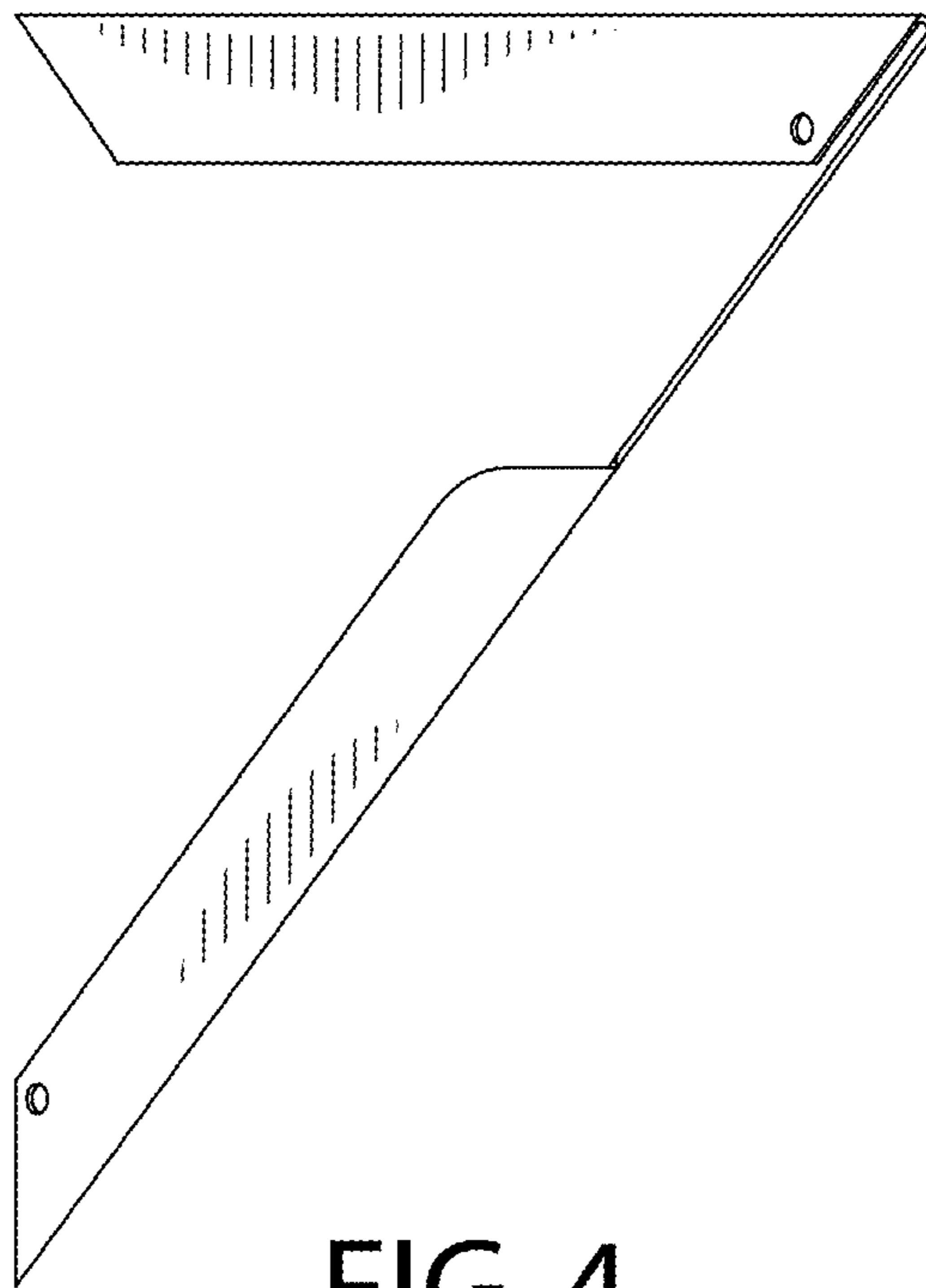


FIG. 4

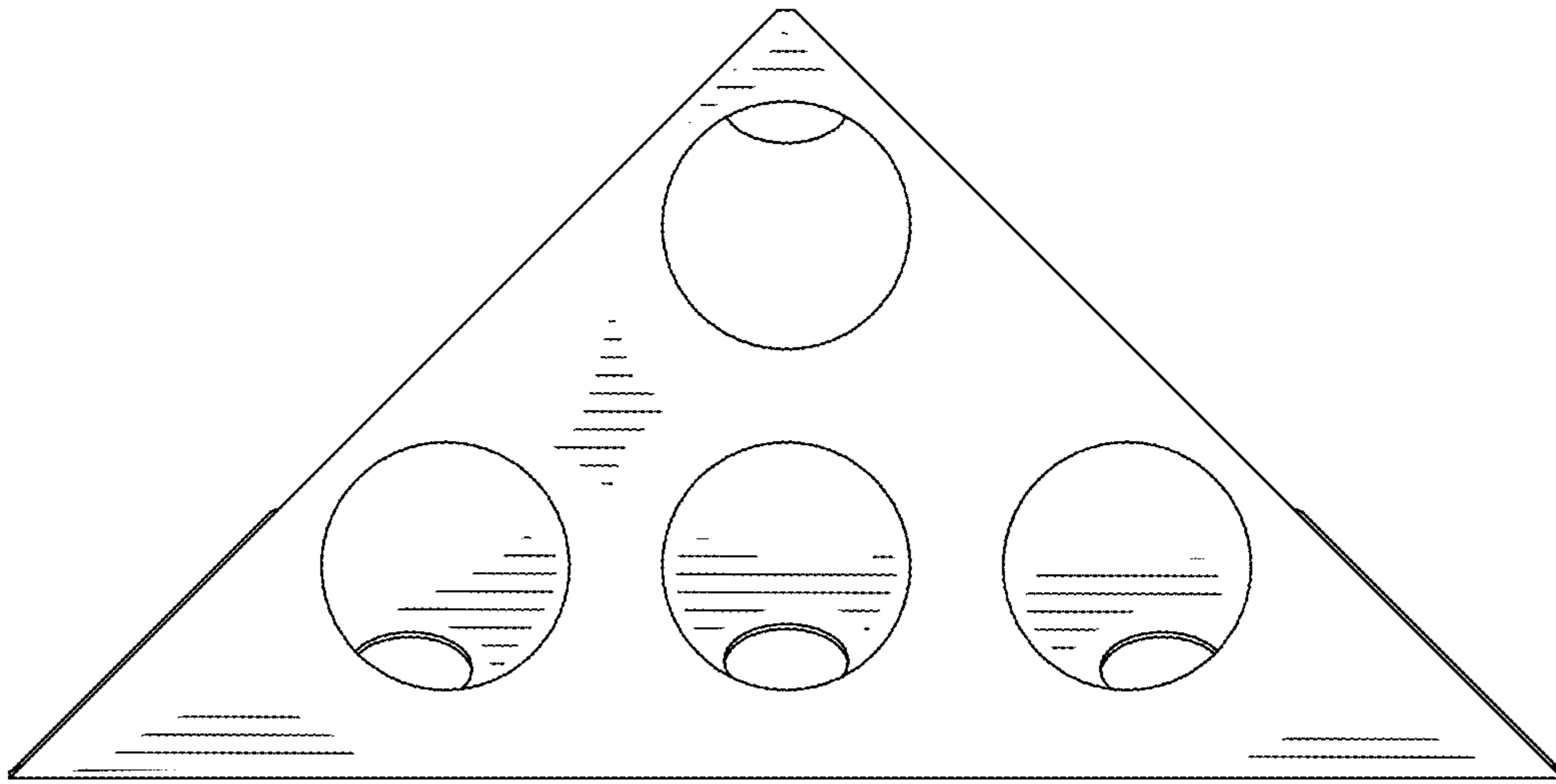


FIG. 5

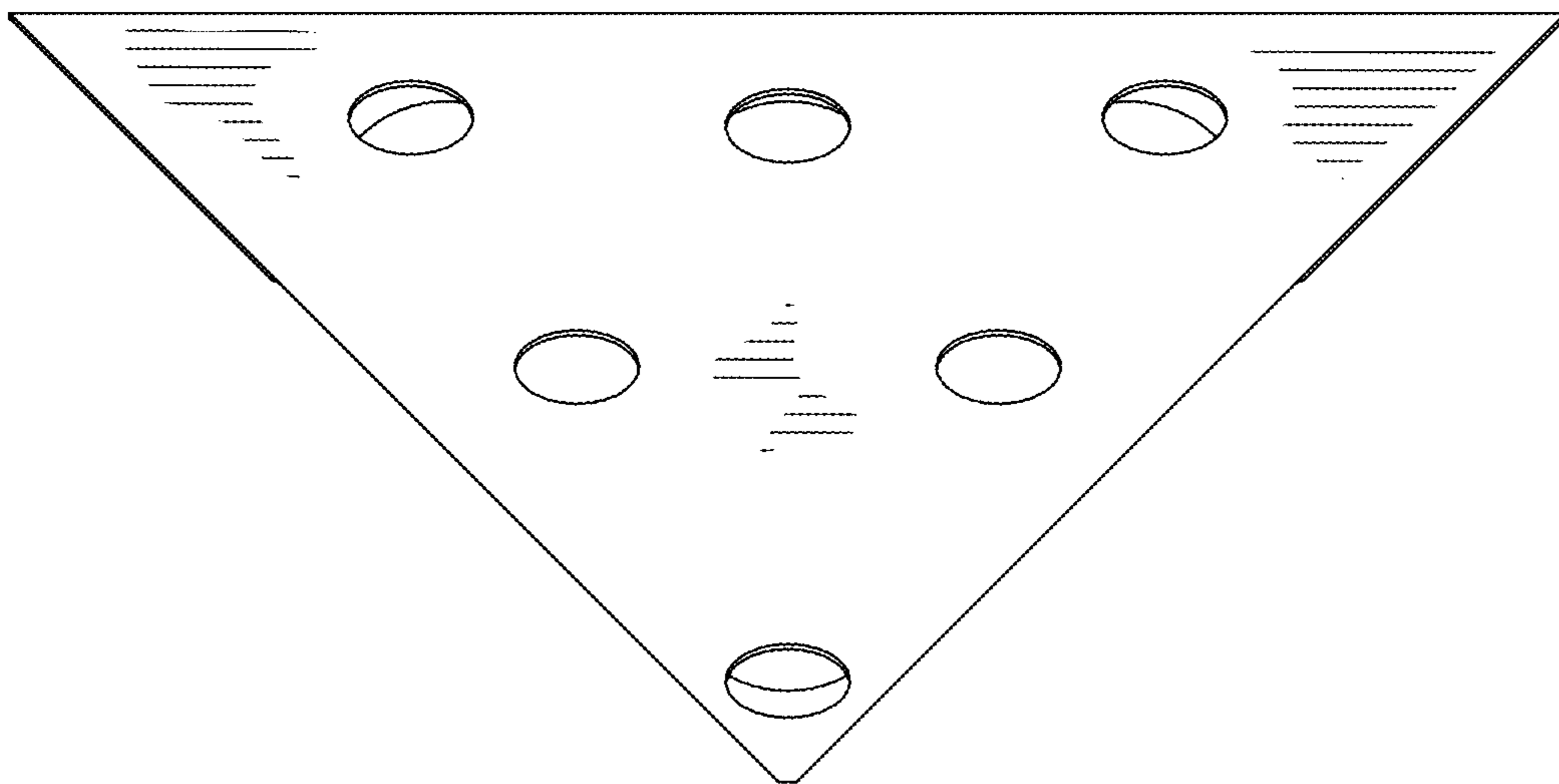


FIG. 6