



US00D771984S

(12) **United States Design Patent**
Tsai

(10) **Patent No.:** **US D771,984 S**
(45) **Date of Patent:** **** Nov. 22, 2016**

- (54) **FOLDABLE SHELF**
- (71) Applicant: **PRETTY STAR STORE LLC**,
Rowland Heights, CA (US)
- (72) Inventor: **Tsung-Yu Tsai**, Changhua (TW)
- (73) Assignee: **PRETTY STAR STORE LLC**,
Rowland Heights, CA (US)
- (**) Term: **15 Years**
- (21) Appl. No.: **29/542,929**
- (22) Filed: **Oct. 19, 2015**
- (51) **LOC (10) Cl.** **06-04**
- (52) **U.S. Cl.**
USPC **D6/675.5**
- (58) **Field of Classification Search**
USPC D6/315, 317, 319, 329, 407, 566, 570,
D6/673, 675, 675.1-675.5, 680.2-680.3,
D6/702, 716.4; D7/571-572, 576-577,
D7/600, 600.1-600.4, 704; 211/13.2, 34,
211/36-38, 45, 55, 59.2, 74, 77, 130.1, 150,
211/184, 187; 108/102, 107, 127, 132, 137;
40/606.03; 312/107; 7/109; 126/25 A,
126/25 R, 9 R; 99/419
CPC .. A47B 73/00; A47B 73/002; A47B 73/004;
A47B 47/00; A47B 47/0058; A47B 47/008;
A47B 47/25; A47F 5/00; A47F 5/0056;
A47F 5/0062; B65D 21/0211
See application file for complete search history.

(56) **References Cited**

U.S. PATENT DOCUMENTS

- 2,634,674 A * 4/1953 Irwin A47J 37/041
99/419
- 2,994,315 A * 8/1961 Bussing A47J 37/0763
126/25 A
- 3,905,286 A * 9/1975 Le Grady A47J 37/0763
126/25 R
- D278,196 S * 4/1985 Koves D6/675.2
- D280,788 S * 10/1985 Levin D6/406.6

- 4,953,473 A * 9/1990 Tomaka A47B 23/001
108/127
- 5,074,223 A * 12/1991 Remmers A47B 87/0207
108/125
- 6,318,570 B1 * 11/2001 Mueller A47B 87/0207
211/126.7
- D579,237 S * 10/2008 Gusdorf D6/675.2
- D587,492 S * 3/2009 Gusdorf D6/675.5
- D620,729 S * 8/2010 Snider D6/675.2
- 7,967,155 B2 * 6/2011 Klingspor F24C 15/16
108/91
- D690,966 S * 10/2013 Goodman D6/675.5
- D719,383 S * 12/2014 Goodman D6/675.5
- D723,309 S * 3/2015 Goodman D6/675.5
- D734,966 S * 7/2015 Greenspon D6/675.2
- D742,665 S * 11/2015 Goodman D6/675.5
- D747,629 S * 1/2016 Goodman D7/600.4
- 9,339,145 B1 * 5/2016 Owczarzak A47J 37/0786

(Continued)

Primary Examiner — Manpreet Matharu

Assistant Examiner — Keith Wilson

(74) *Attorney, Agent, or Firm* — Muncy, Geissler, Olds & Lowe, P.C.

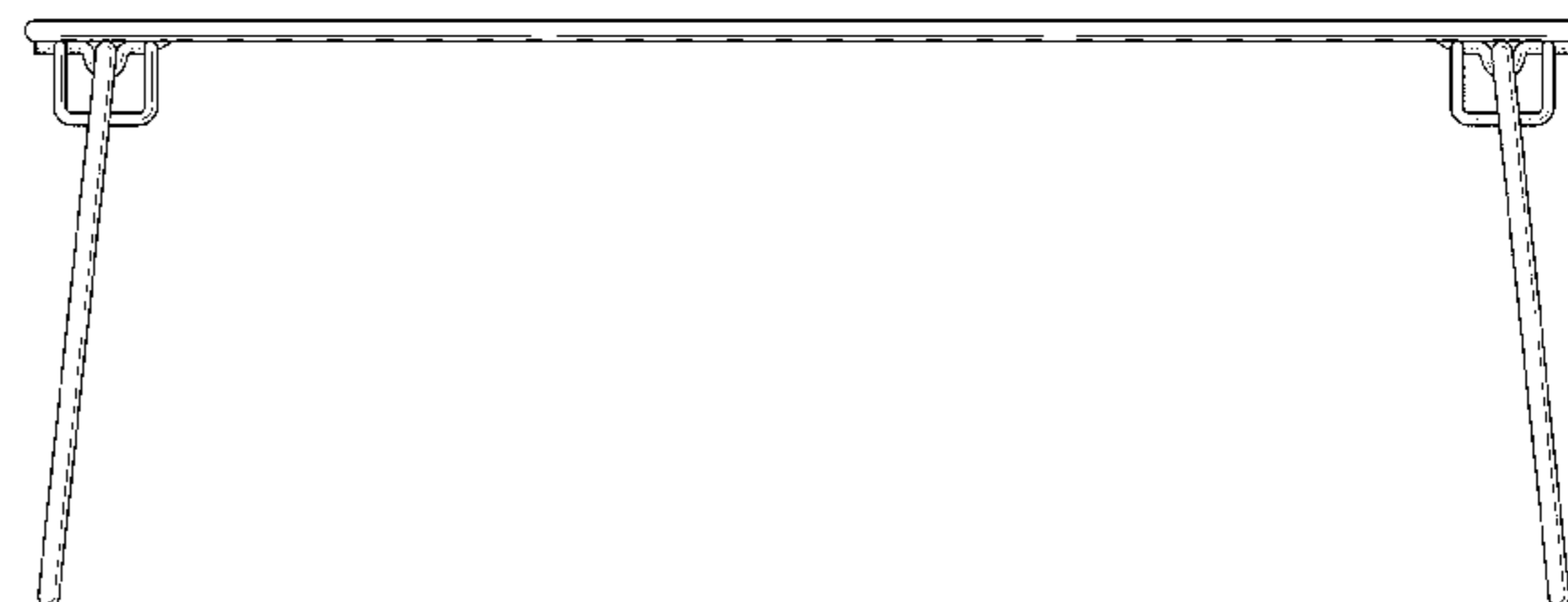
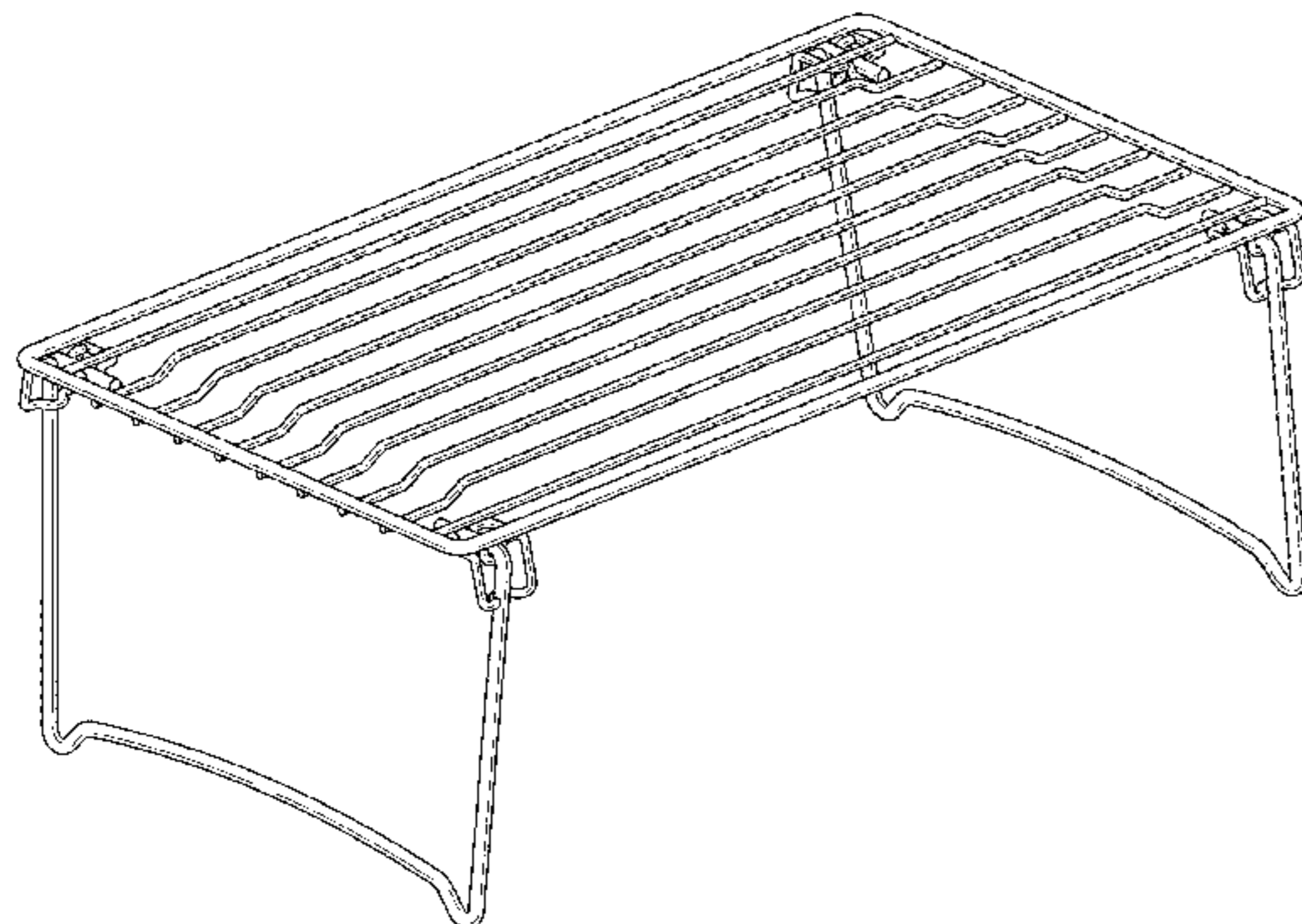
(57) **CLAIM**

The ornamental design for a foldable shelf, as shown and described.

DESCRIPTION

FIG. 1 is a perspective view of the present design;
 FIG. 2 is a front view of the present design;
 FIG. 3 is a rear view of the present design;
 FIG. 4 is a left side view of the present design;
 FIG. 5 is a right side view of the present design;
 FIG. 6 is a top view of the present design;
 FIG. 7 is a bottom view of the present design;
 FIG. 8 is a schematic drawing showing that the foldable stand of the present design is folded; and,
 FIG. 9 is another schematic drawing showing that two foldable shelves are stacked.
 The broken lines showing structural features are for illustrative purposes only and form no part of the claimed design.

1 Claim, 9 Drawing Sheets



US D771,984 S

Page 2

(56)

References Cited

U.S. PATENT DOCUMENTS

2005/0257693	A1*	11/2005	Tschetter	A47J 43/18	2013/0055506	A1*	3/2013	Greer	A47J 45/10	126/25 R
				99/419						7/109
2011/0271949	A1*	11/2011	Ortner	A47J 37/0704	2016/0227965	A1*	8/2016	Johnston	A47J 37/0763	

* cited by examiner

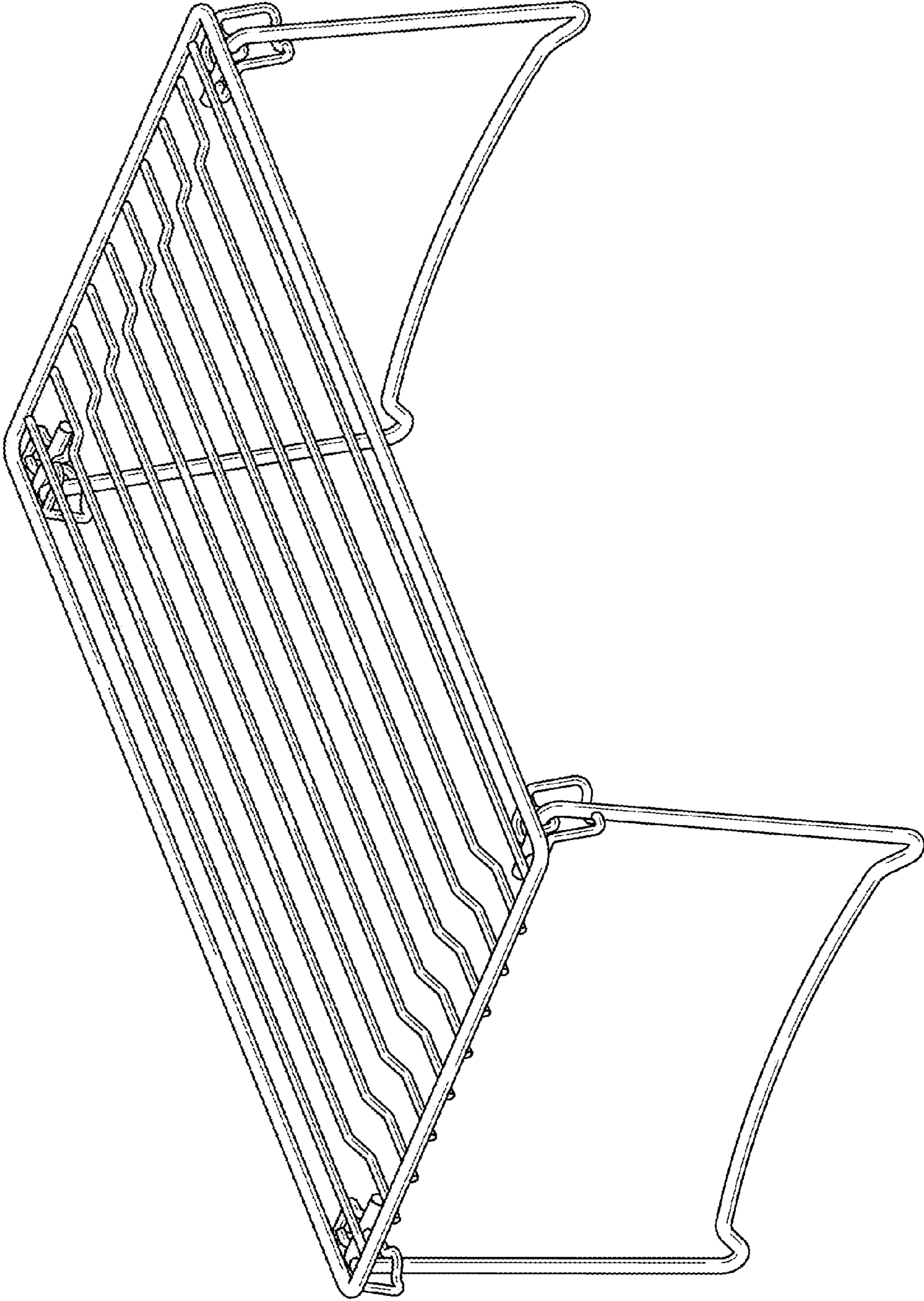


FIG. 1

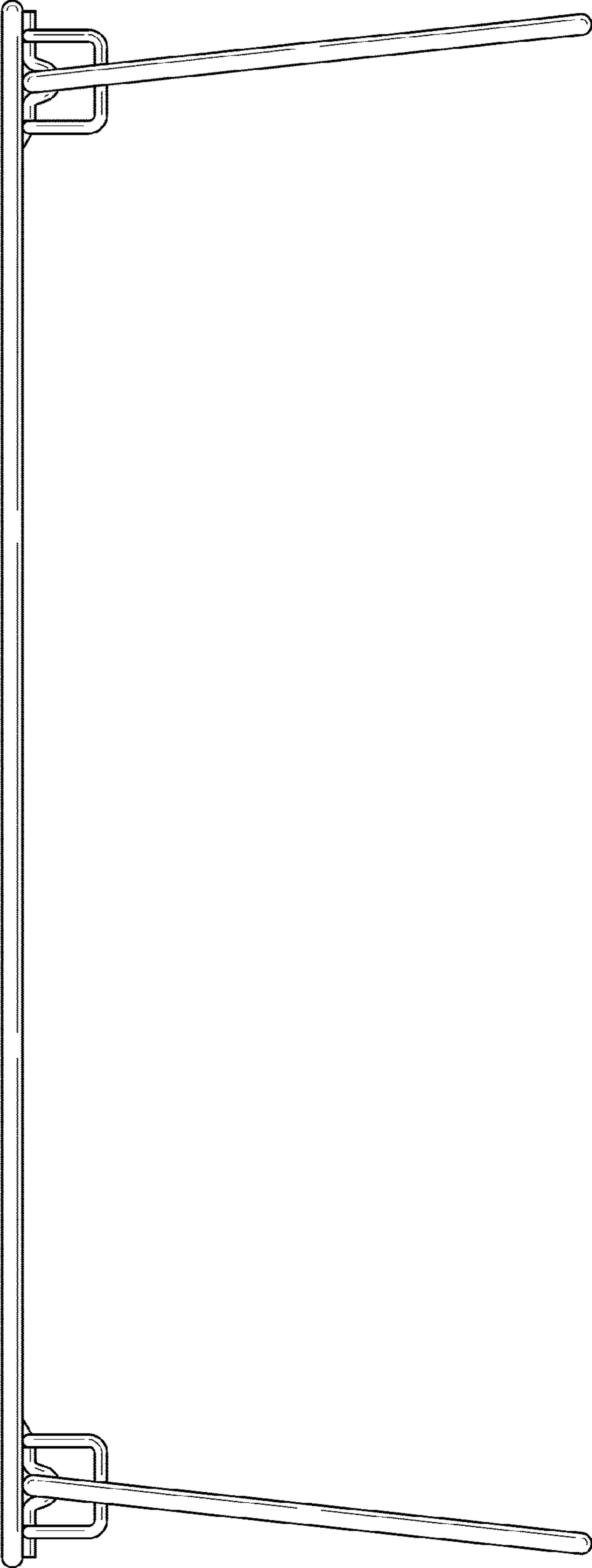


FIG. 2

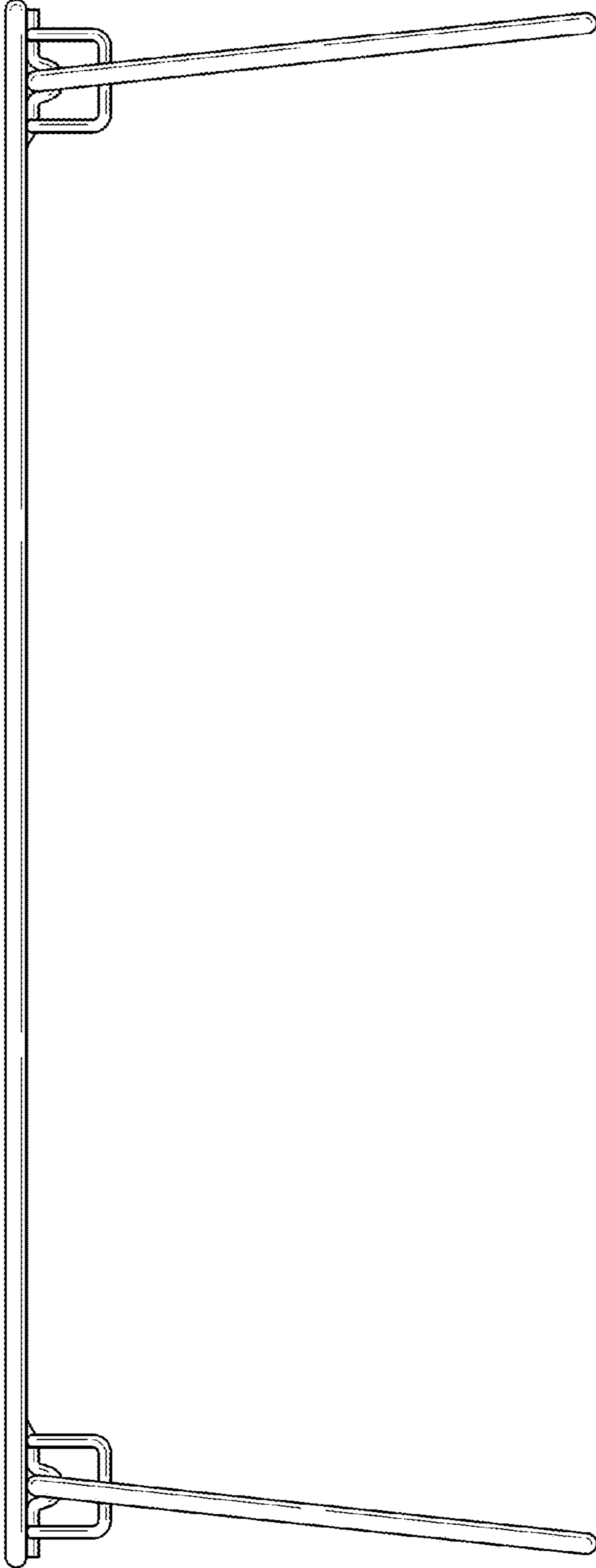


FIG. 3

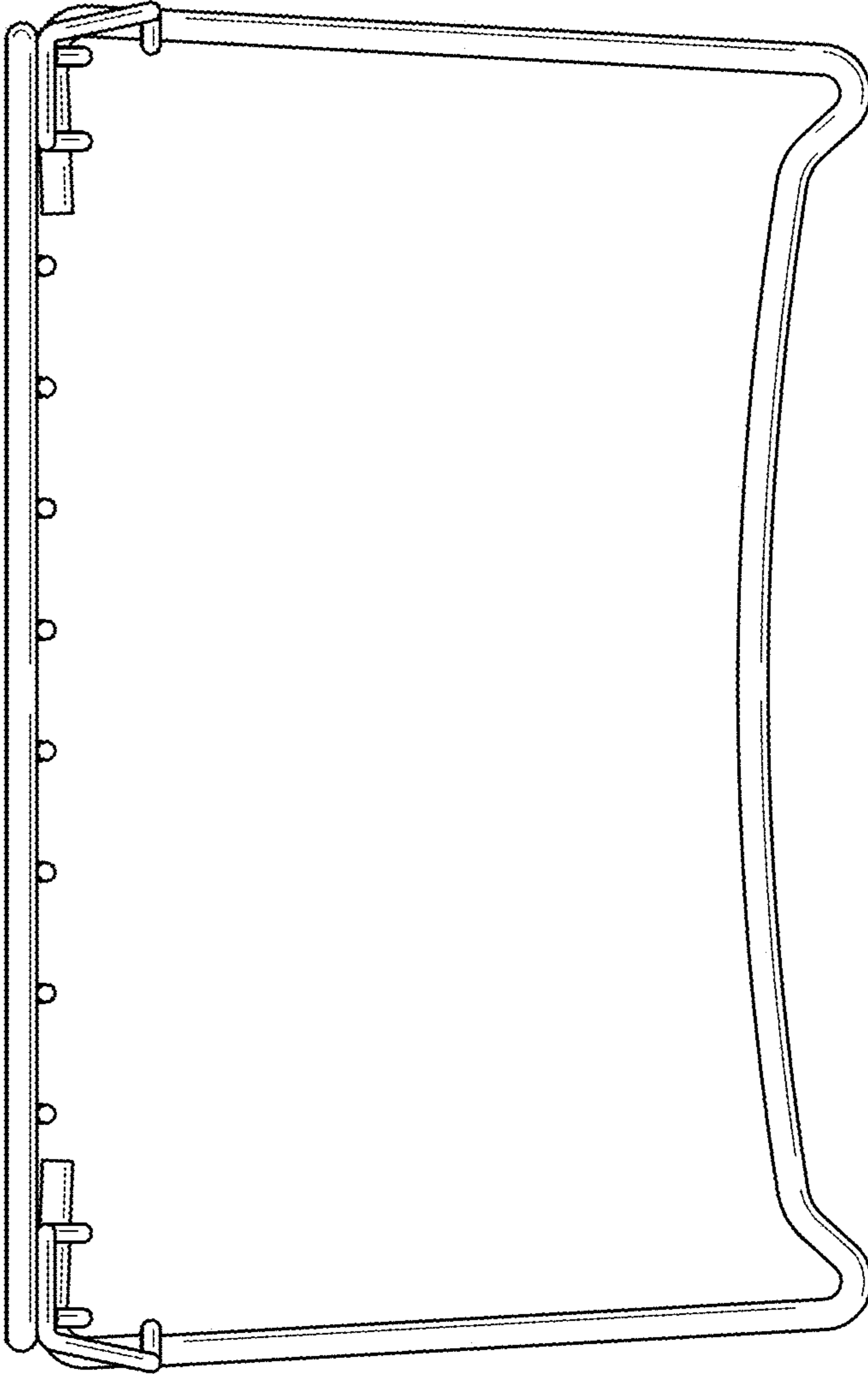


FIG. 4

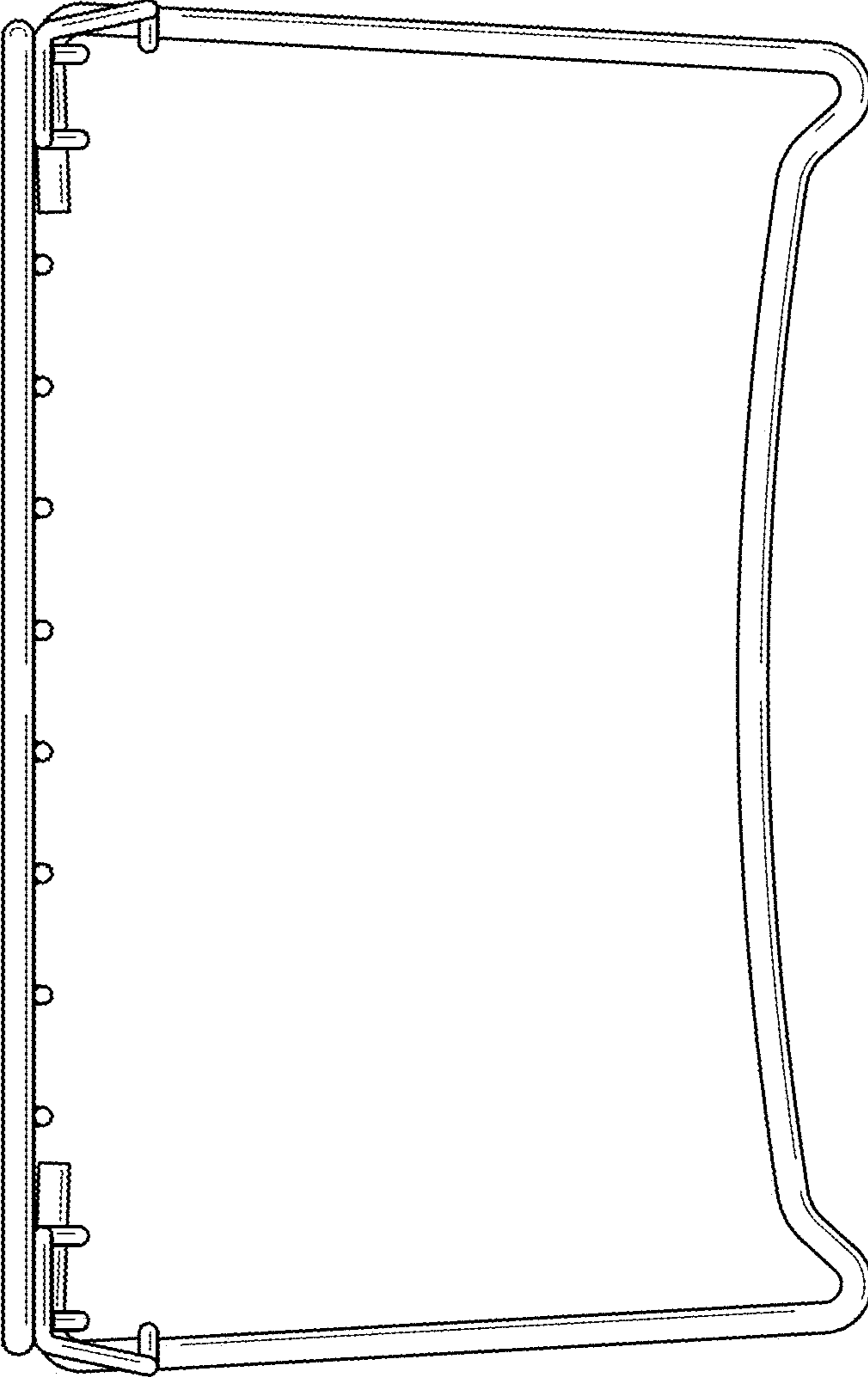


FIG. 5

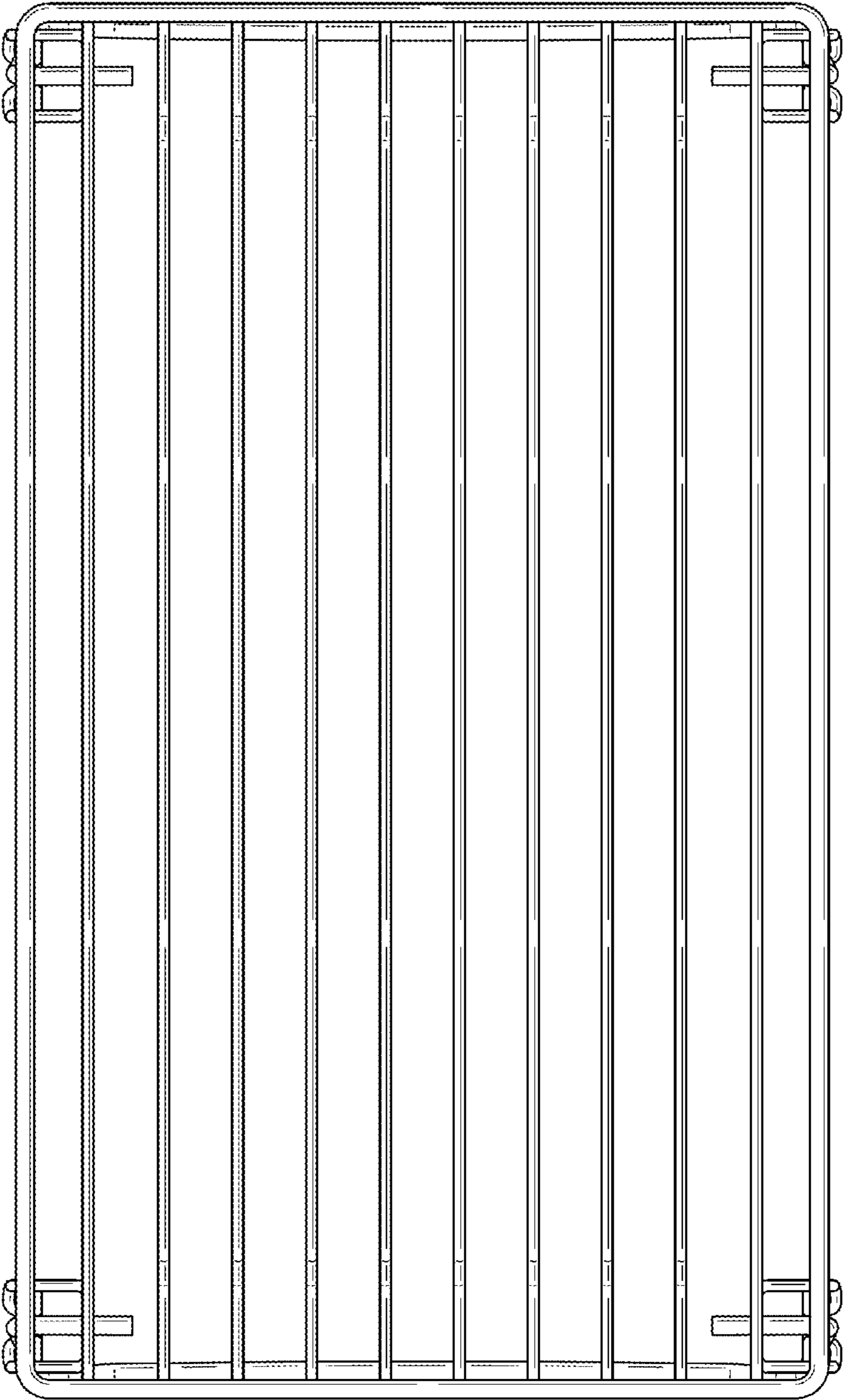


FIG. 6

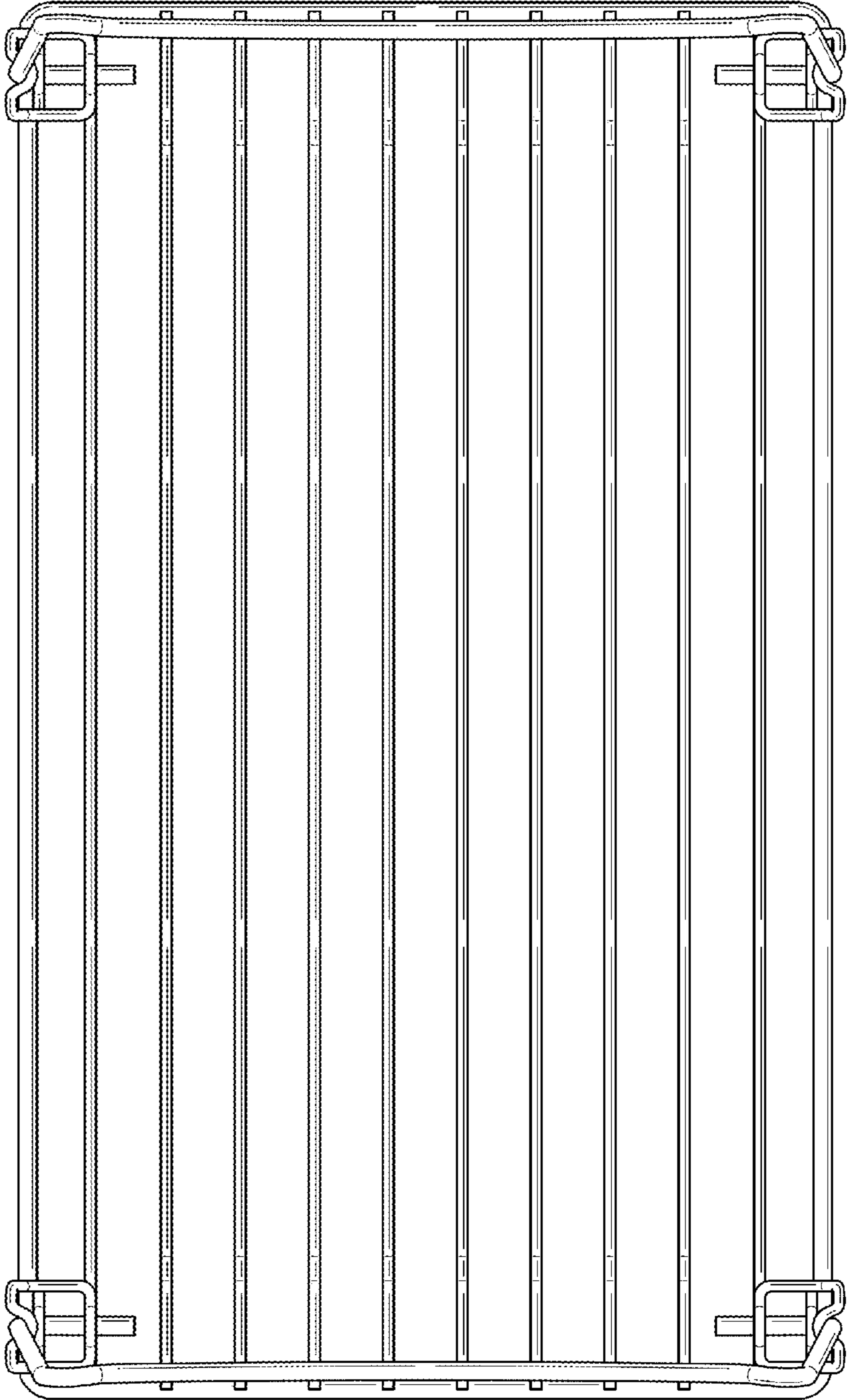


FIG. 7

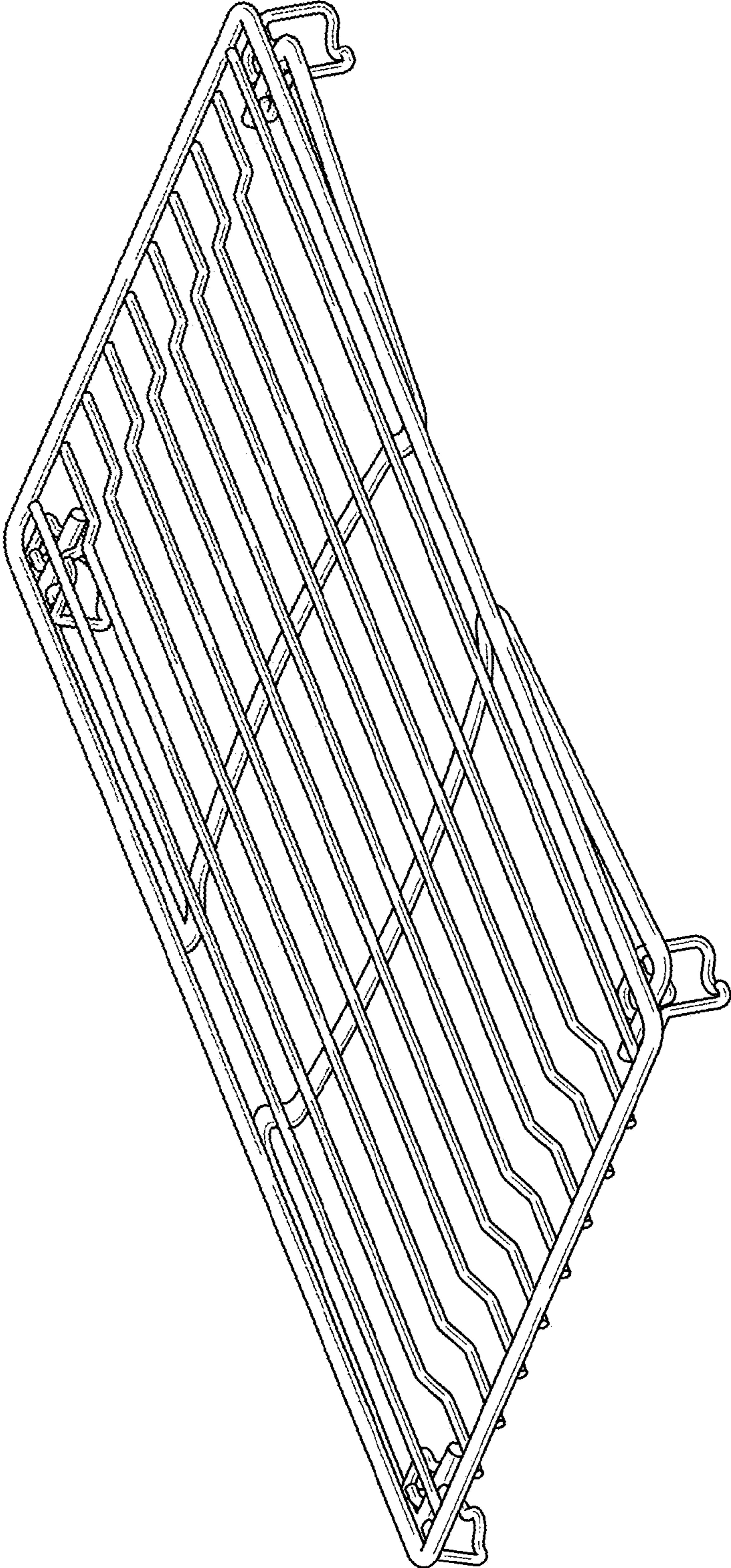


FIG. 8

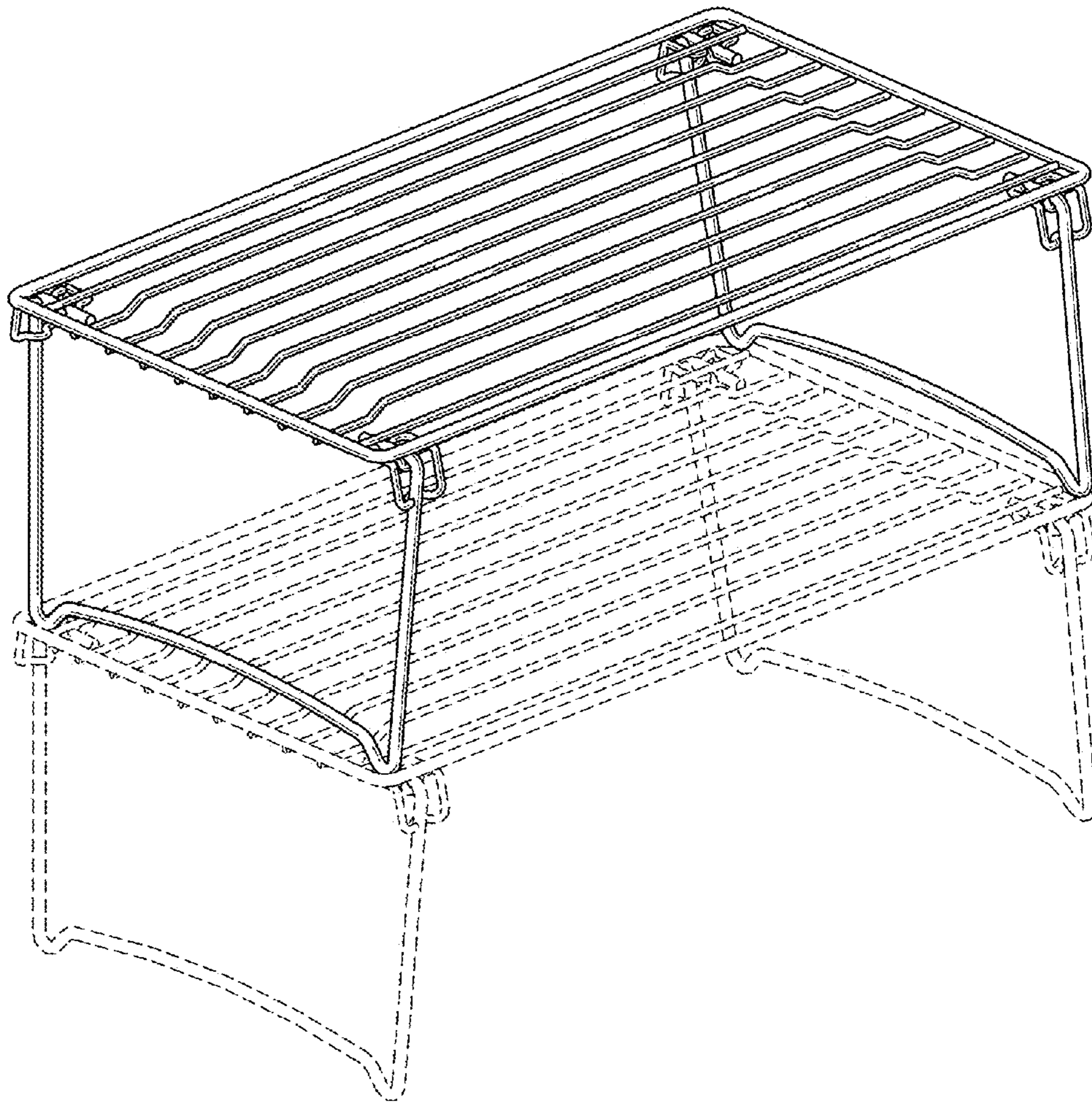


FIG. 9