



US00D771983S

(12) **United States Design Patent**
Herring et al.

(10) **Patent No.:** **US D771,983 S**

(45) **Date of Patent:** **** Nov. 22, 2016**

(54) **DESK**

(71) Applicant: **Next Technologies, Inc.**, Georgetown, TX (US)

(72) Inventors: **Jason Brian Herring**, Georgetown, TX (US); **Shane Michael Gilbreath**, Georgetown, TX (US)

(73) Assignee: **Spindle 360 Inc.**, Georgetown, TX (US)

(**) Term: **14 Years**

(21) Appl. No.: **29/488,901**

(22) Filed: **Apr. 24, 2014**

(51) **LOC (10) Cl.** **06-03**

(52) **U.S. Cl.**
USPC **D6/656.16**

(58) **Field of Classification Search**
USPC D6/690, 702, 711, 711.1, 703.1, 713, D6/344, 347, 549, 656, 656.16, 656.17, D6/691.5, 641, 642, 656.1, 691; D8/16, D8/315, 316

CPC A47C 7/50; A47B 95/02; A47B 2200/0036; A47B 2200/12; A47B 2096/207; A47B 2200/0014; F25D 11/02; F25D 2400/04; F25D 23/02; B25G 1/00; E05B 1/0015

See application file for complete search history.

(56) **References Cited**

U.S. PATENT DOCUMENTS

2,142,953 A * 1/1939 Raymond A47B 95/02 16/444
2,205,259 A * 6/1940 Harbison A47B 95/02 16/416

D234,485 S * 3/1975 Isles D6/656.16
D234,735 S * 4/1975 Podell D6/691.5
D239,488 S * 4/1976 Sandefur D6/651
D251,167 S * 2/1979 Isles D6/656.16
D300,996 S * 5/1989 Colby D6/690
D347,533 S * 6/1994 Lambert D24/190
D487,388 S * 3/2004 Gundlach D8/302
D524,331 S * 7/2006 Kim D15/85
D524,832 S * 7/2006 Kim D15/85
D611,733 S * 3/2010 Stukenberg D6/691
D612,677 S * 3/2010 Jeon D15/89
D624,766 S * 10/2010 Brunstad D6/708
D717,102 S * 11/2014 Taketani D7/392.1
2008/0203874 A1 * 8/2008 Lim E05D 11/0054 312/404
2013/0127223 A1 * 5/2013 Lin A47C 7/50 297/423.1

* cited by examiner

Primary Examiner — Mary Ann Calabrese

(74) *Attorney, Agent, or Firm* — Kevin Keener; Keener and Associates P.C.

(57) **CLAIM**

The ornamental design for a desk, as shown and described.

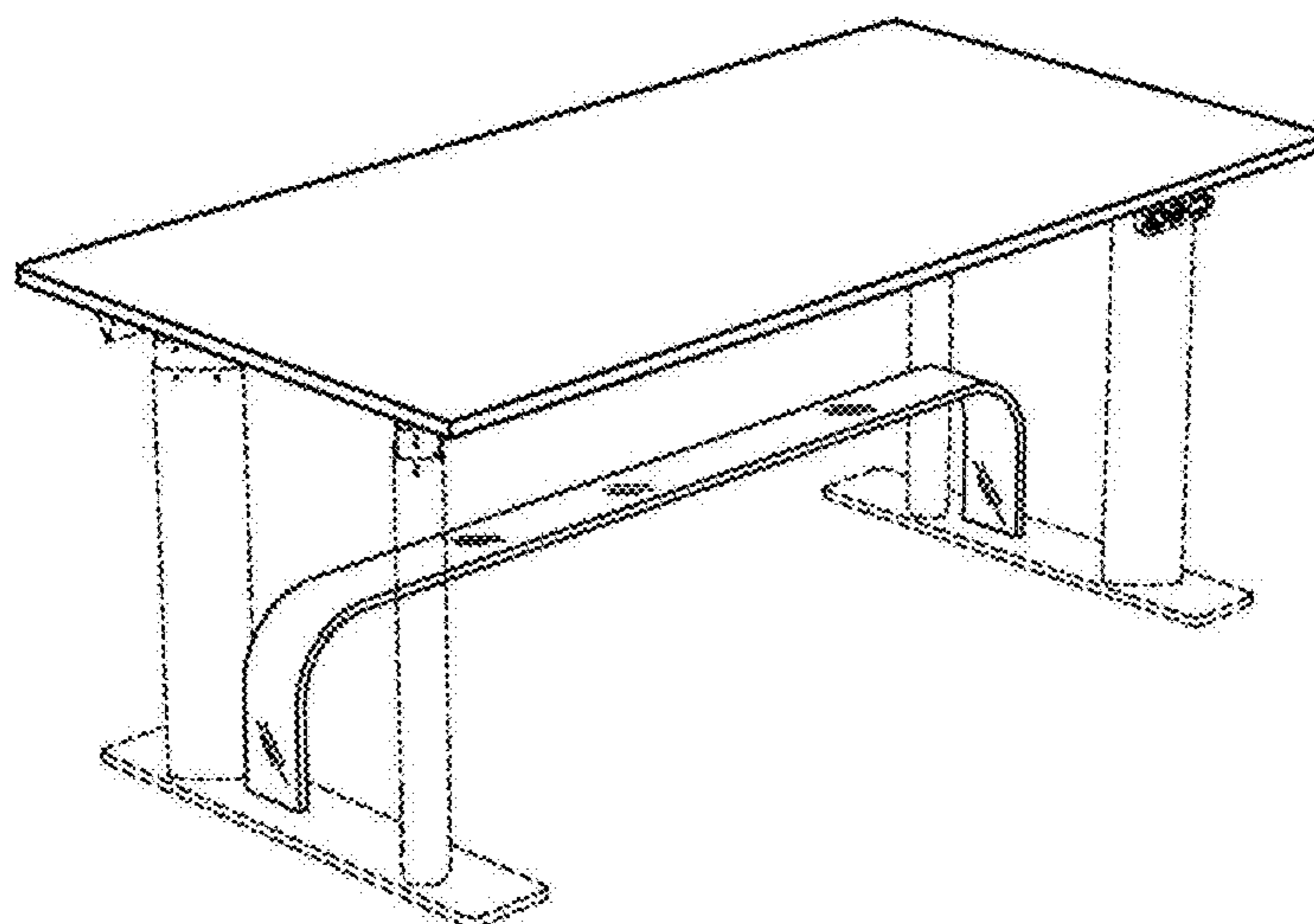
DESCRIPTION

FIG. 1 is a perspective view of a desk showing our new design; and,

FIG. 2 is an alternate embodiment thereof.

The broken lines depict environmental subject matter only and form no part of the claimed design.

1 Claim, 2 Drawing Sheets



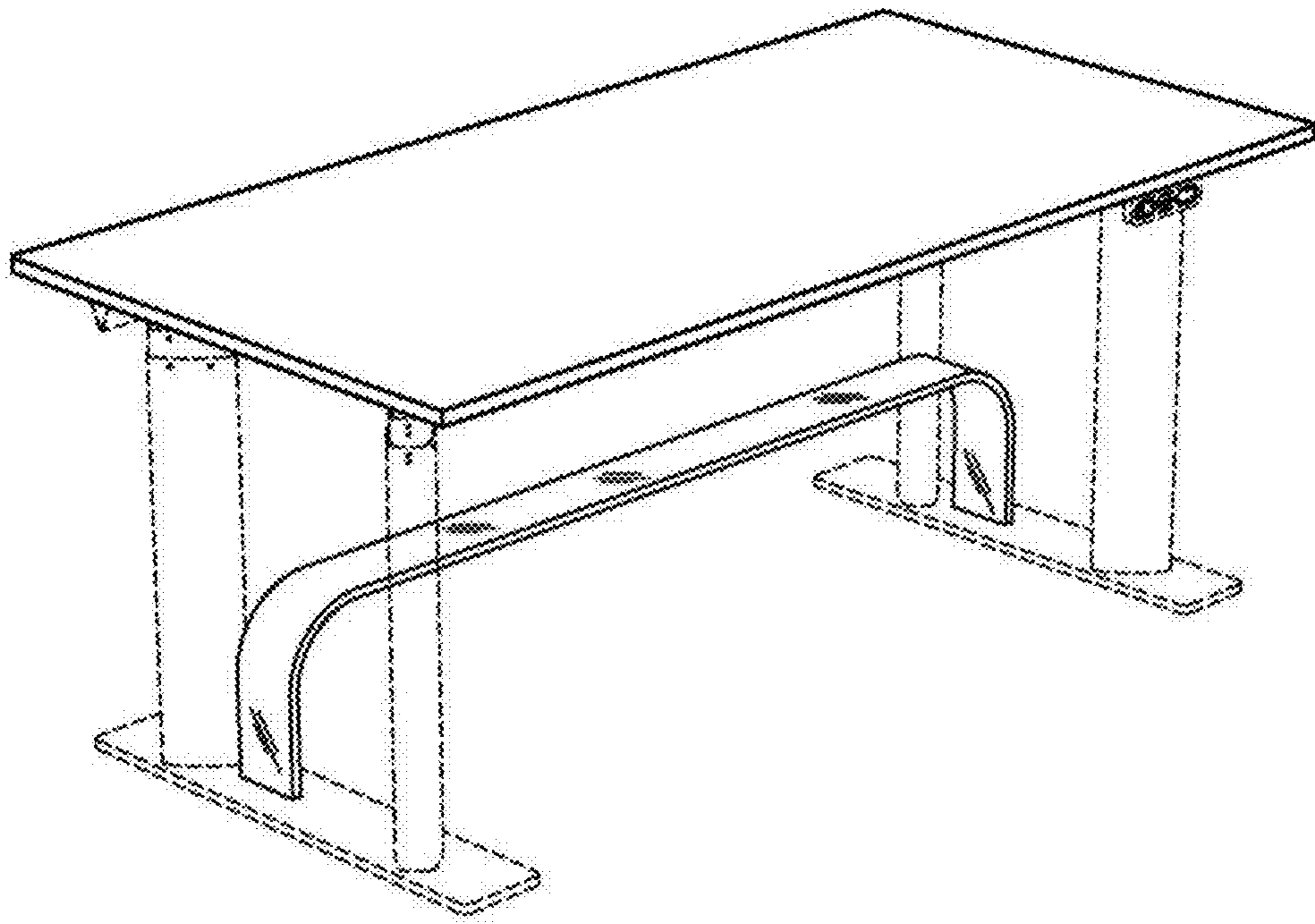


FIG. 1

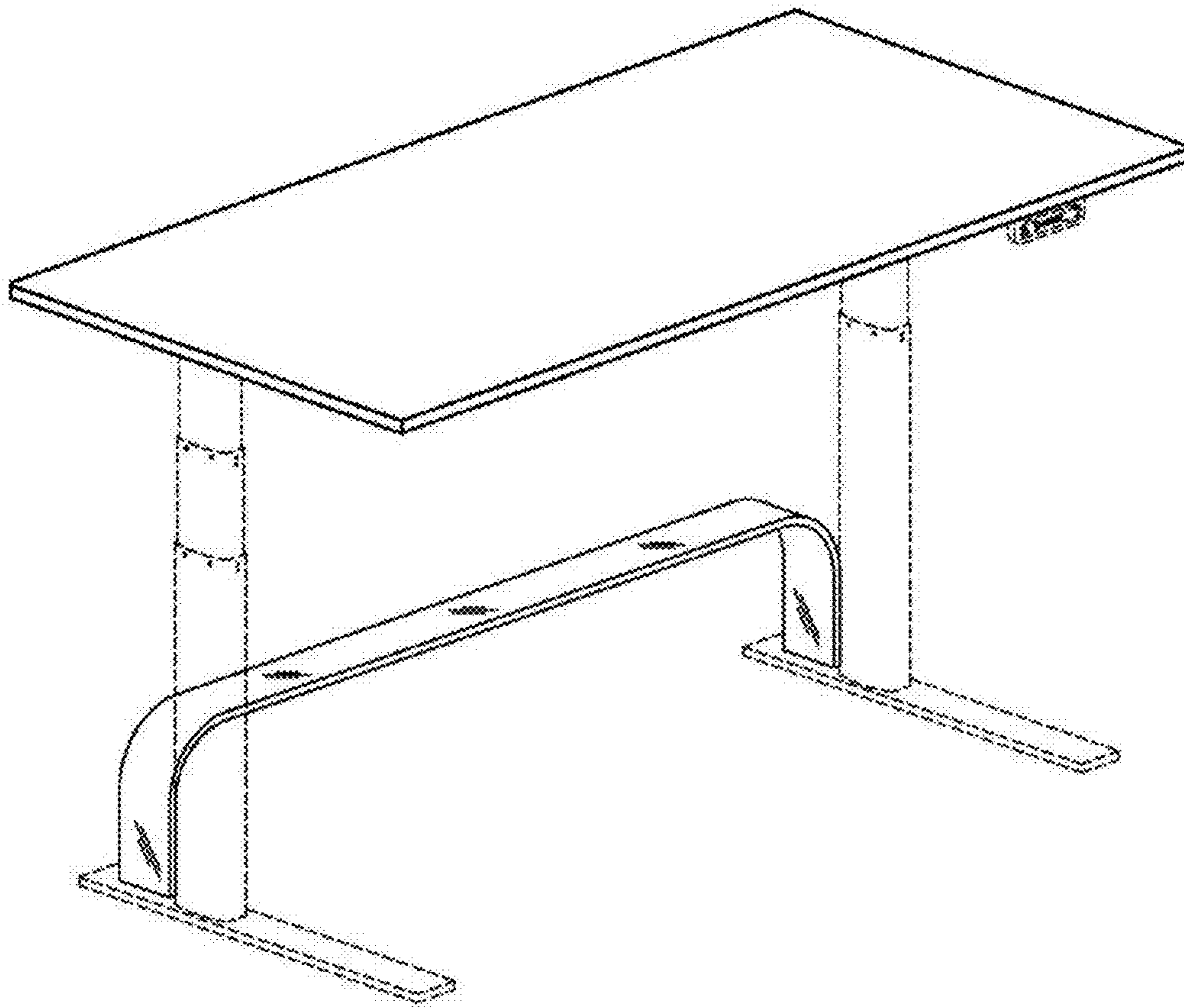


FIG. 2