



US00D771981S

(12) **United States Design Patent**
Flaherty et al.

(10) **Patent No.:** **US D771,981 S**

(45) **Date of Patent:** **** Nov. 22, 2016**

- (54) **DESK**
- (71) Applicant: **Varidesk, LLC**, Coppell, TX (US)
- (72) Inventors: **Daniel G. Flaherty**, Irving, TX (US);
David Patton, Flower Mound, TX (US)
- (73) Assignee: **Varidesk, LLC**, Coppell, TX (US)
- (**) Term: **14 Years**
- (21) Appl. No.: **29/512,877**
- (22) Filed: **Dec. 23, 2014**
- (51) **LOC (10) Cl.** **06-04**
- (52) **U.S. Cl.**
USPC **D6/655; D6/707.15**
- (58) **Field of Classification Search**
USPC D6/655, 662, 644, 654, 653.17, 653.14,
D6/653.1, 653.11, 707.15; D14/305;
108/139, 95-96, 141
CPC A47B 3/00; A47B 3/002; A47B 41/00;
A47B 41/02; A47B 21/00; A47B 21/02;
A47B 17/02
See application file for complete search history.

- D612,643 S * 3/2010 Rossini D6/707.15
- 8,065,966 B1 11/2011 Bacon et al.
- D652,229 S * 1/2012 Madison D6/655
- D681,979 S * 5/2013 Keen D6/691
- D691,223 S * 10/2013 Hao D21/694

(Continued)

OTHER PUBLICATIONS

Examination Report issued Oct. 14, 2015 in Australian Design Registration No. 363977.
“Pro Plus 48 Height-Adjustable Standing Desk Animation Video”, published on YouTube at: <https://www.youtube.com/watch?v=XKrVByT6pq8> on Oct. 31, 2014.

(Continued)

Primary Examiner — Rosemary K Tarcza
Assistant Examiner — James Thorn, Sr.
(74) *Attorney, Agent, or Firm* — Venable LLP; Steven J. Schwarz

(57) **CLAIM**
The ornamental design for a desk, as shown and described.

DESCRIPTION

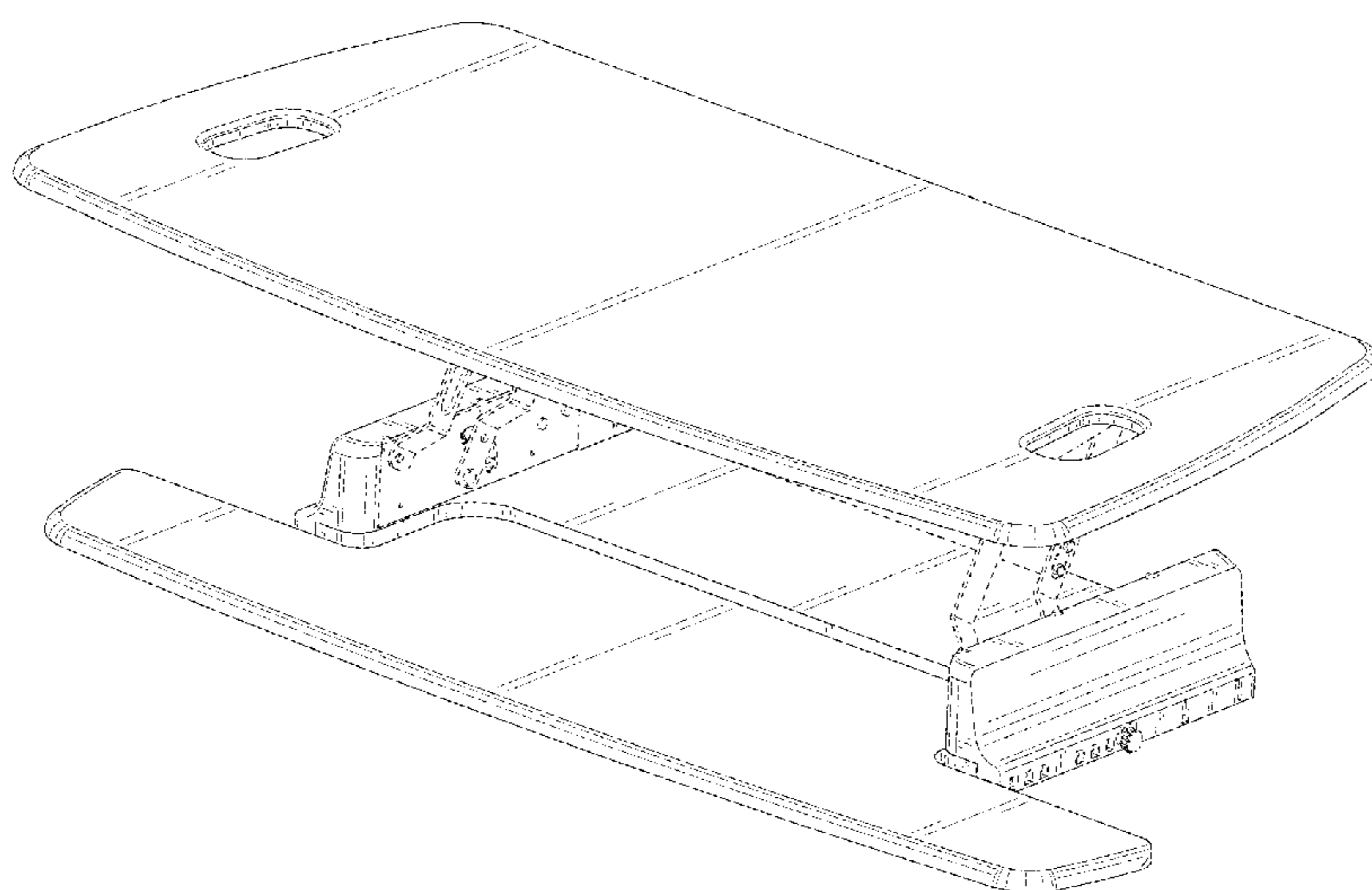
FIG. 1 is a front-right perspective of an embodiment of the desk according to the claimed design shown in a lowered position;
FIG. 2 is a front view of the desk of FIG. 1;
FIG. 3 is a rear view of the desk of FIG. 1;
FIG. 4 is a left side view of the desk of FIG. 1;
FIG. 5 is a right side view of the desk of FIG. 1;
FIG. 6 is a top view of the desk of FIG. 1; and,
FIG. 7 is a front-right perspective of the desk of FIG. 1 shown in a raised position.
The features shown in broken lines represent portions of the desk which form no part of the claimed design.

1 Claim, 7 Drawing Sheets

(56) **References Cited**

U.S. PATENT DOCUMENTS

- D395,969 S * 7/1998 Barlow-Lawson D6/707.15
- 5,823,120 A 10/1998 Holmquist
- D424,828 S * 5/2000 Ko D6/653.1
- D428,279 S * 7/2000 Olson D6/707.15
- D435,368 S * 12/2000 Tzeng D6/654
- D436,268 S * 1/2001 Ko D6/653.21
- D447,646 S * 9/2001 Chang D6/653.12
- D464,212 S * 10/2002 Chen D6/653.1
- D486,669 S * 2/2004 Wang D6/653.1
- D499,576 S * 12/2004 Long D6/653.17
- D530,939 S * 10/2006 Nakamura D6/654.21
- D583,587 S * 12/2008 Lai D6/655.19
- D586,155 S * 2/2009 Lenterman D6/654



(56)

References Cited

U.S. PATENT DOCUMENTS

8,671,853	B2 *	3/2014	Flaherty	A47B 9/18 108/138
D716,074	S *	10/2014	Kitajima	D6/654.21
D733,476	S *	7/2015	Papic	D6/655.16
2003/0140822	A1	7/2003	Seiler et al.		
2003/0230222	A1 *	12/2003	Liu	A47B 21/03 108/50.01
2005/0045072	A1 *	3/2005	Rossini	A47B 21/0314 108/50.01
2005/0284341	A1 *	12/2005	Klassy	A47B 21/00 108/50.02
2008/0072803	A1 *	3/2008	Korber	A47B 21/00 108/50.01
2013/0139736	A1 *	6/2013	Flaherty	A47B 9/18 108/106
2013/0340655	A1	12/2013	Flaherty		
2014/0020606	A1	1/2014	Benden		
2014/0048671	A1 *	2/2014	Tsai	A47B 27/18 248/371
2014/0123883	A1	5/2014	Jennings et al.		
2014/0158026	A1	6/2014	Flaherty		
2015/0296976	A1	10/2015	Janowski et al.		
2016/0073779	A1	3/2016	Ringlein		

OTHER PUBLICATIONS

“Varidesk Pro Plus 48 Standing Desk”, published on YouTube at: <https://www.youtube.com/watch?v=YLOWdR51XfA> on Nov. 7, 2014.

“Varidesk Pro Plus 48 is massive”, published on Twitter at: <https://twitter.com/johnbristowe/status/545773679653552129> on Dec. 18, 2014.

“Varidesk Pro Plus 48”, published on YouTube at: <https://www.youtube.com/watch?v=UNpGsnQPxAA> on Dec. 22, 2014.

Examination Report issued Aug. 20, 2015 in Australian Patent Application No. 363053.

The ‘Desktop Riser’, published on *YouTube* at: <https://www.youtube.com/watch?v=WB0eI5rQvio> on Oct. 9, 2014.

The ‘Desktop Riser’, published on *Twitter* at <https://twitter.com/pookimum> on Nov. 12, 2014.

The ‘Desktop Riser’, published on <http://standingdeskgeek.com/varidesk-pro-plus-review/> Internet site on Nov. 20, 2014.

Office Action issued Aug. 5, 2016 in Design U.S. Appl. No. 29/512,890.

Office Action issued Aug. 17, 2016 in Design U.S. Appl. No. 29/512,891.

Notice of Allowance issued Aug. 5, 2016 in Design U.S. Appl. No. 29/512,918.

* cited by examiner

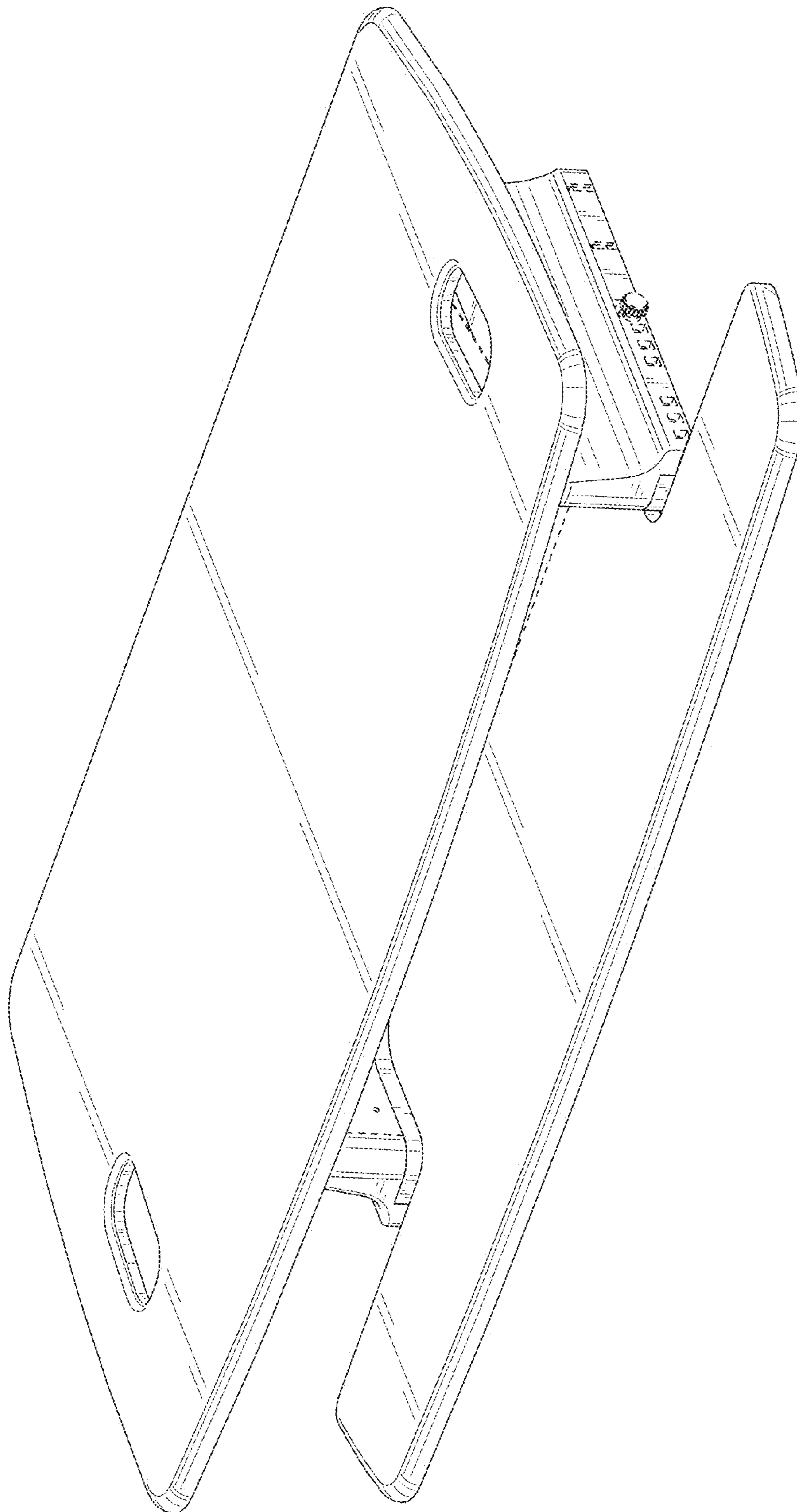


FIG. 1

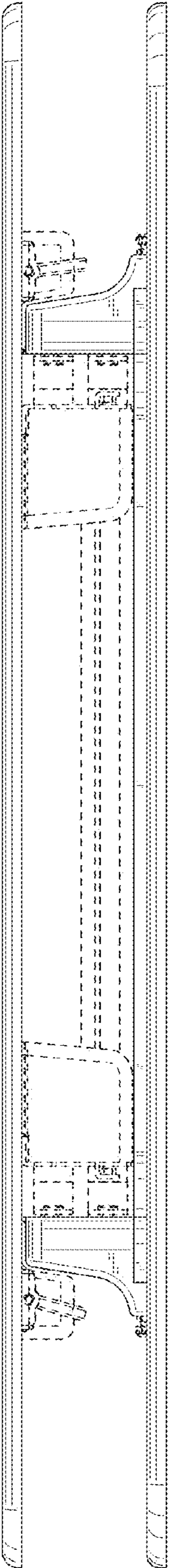


FIG. 2

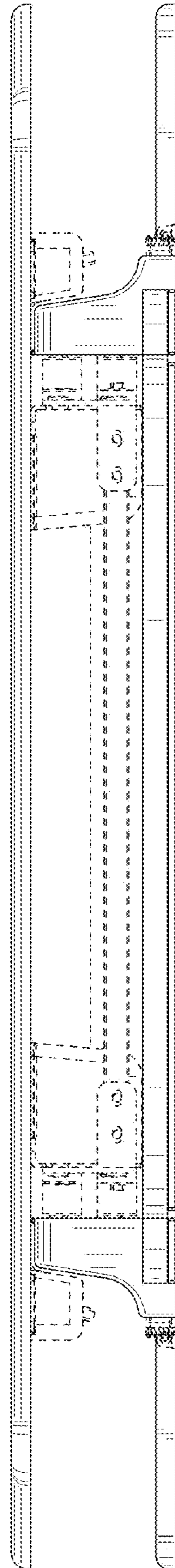


FIG. 3

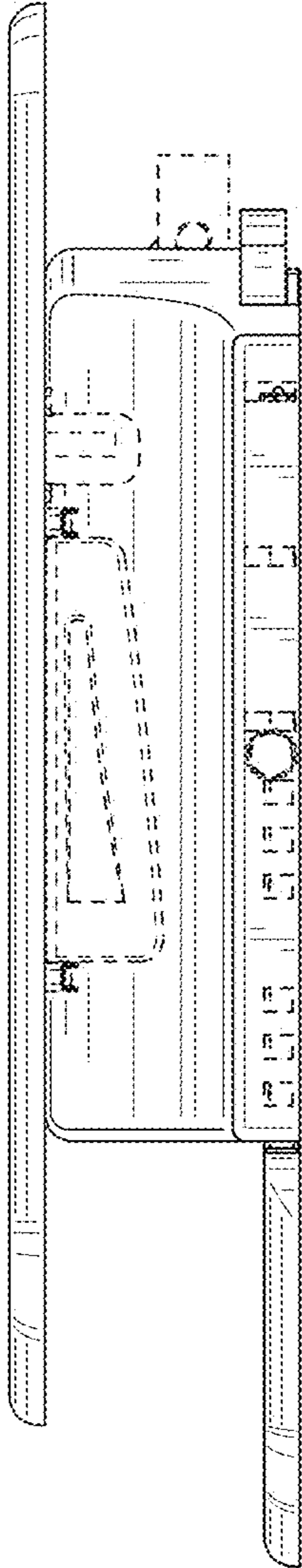


FIG. 4

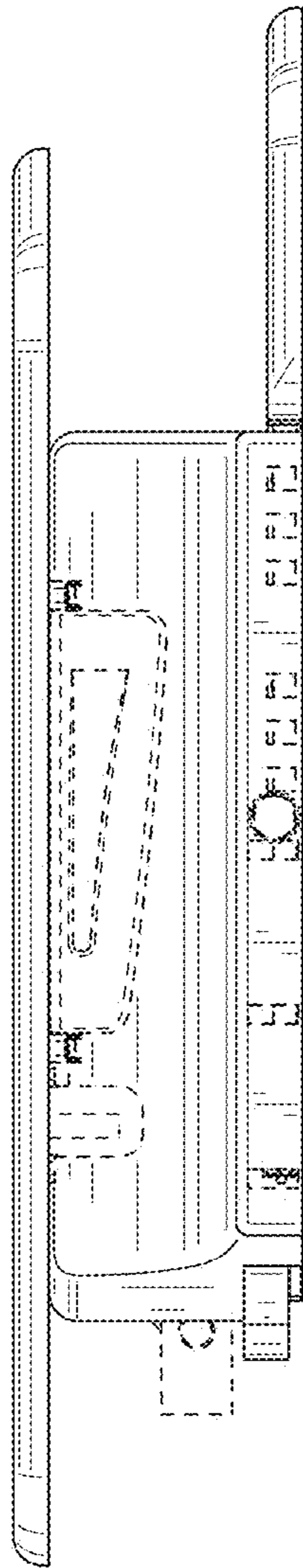


FIG. 5

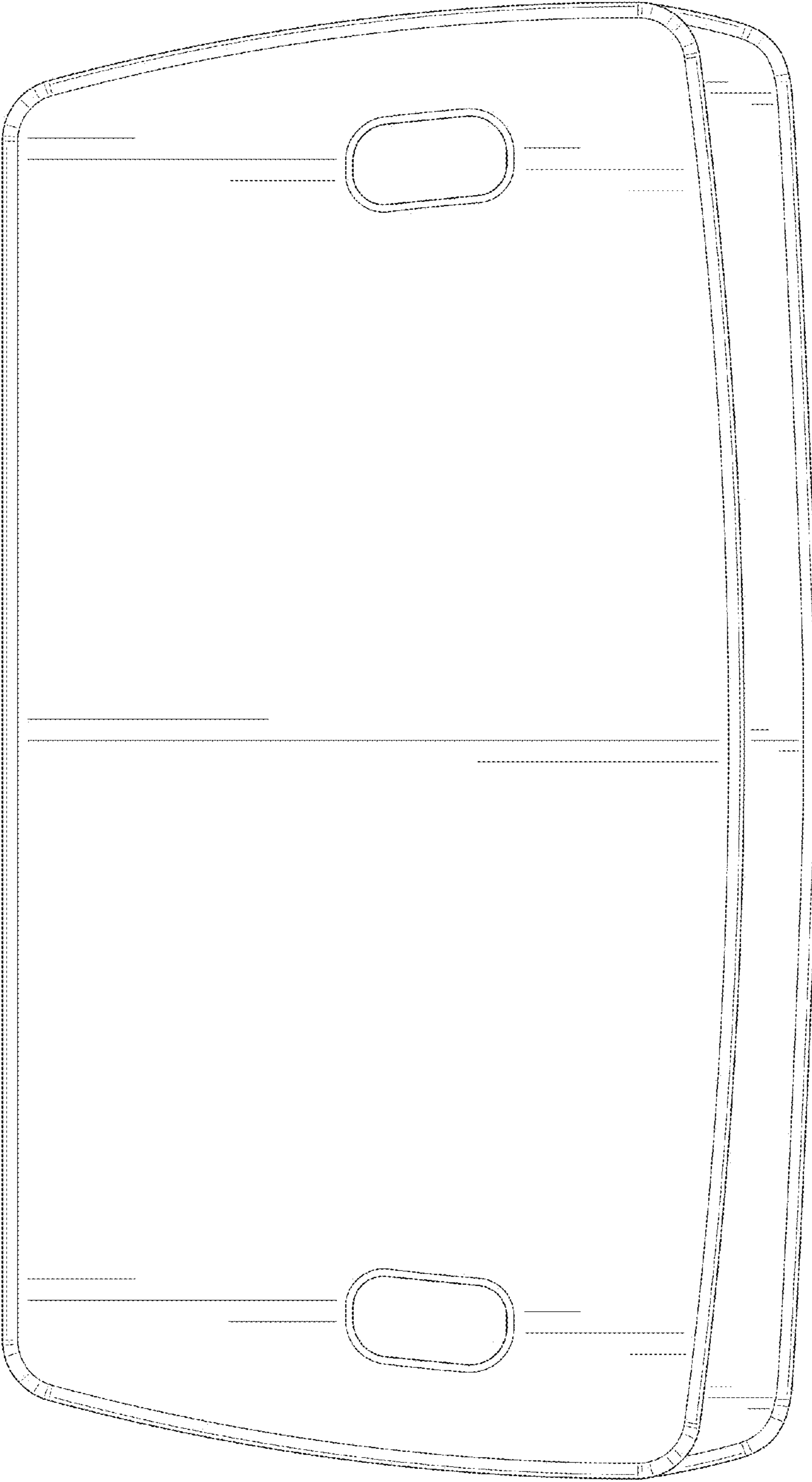


FIG. 6

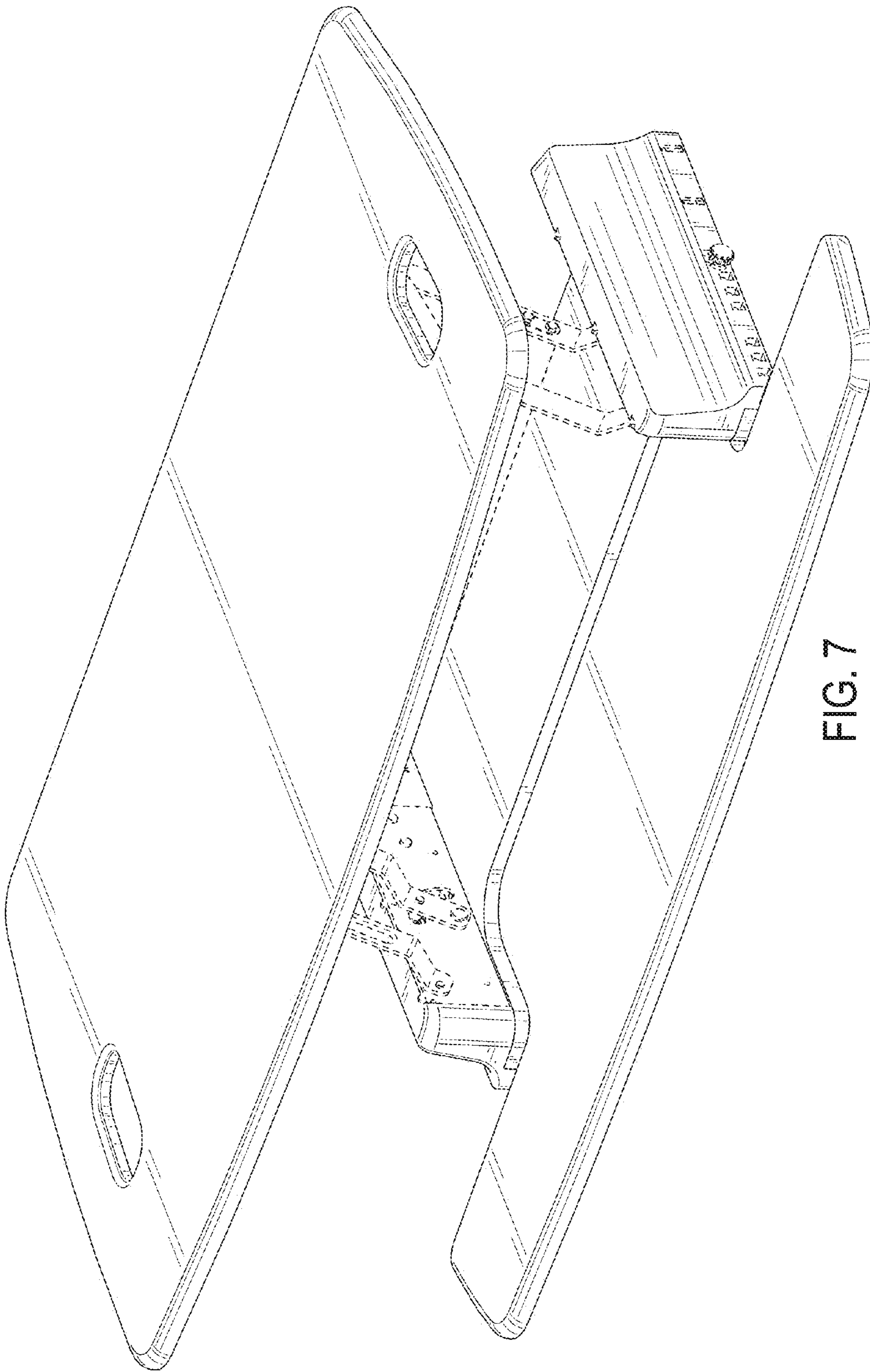


FIG. 7