



US00D771976S

(12) **United States Design Patent** (10) **Patent No.:** **US D771,976 S**
Hernandez, Jr. (45) **Date of Patent:** **** Nov. 22, 2016**

(54) **KNEE MAT**

(71) Applicant: **RHL Holdings, LLC**, Palm Beach Gardens, FL (US)
 (72) Inventor: **Rigoberto Hernandez, Jr.**, North Palm Beach, FL (US)
 (73) Assignee: **RHL Holdings, LLC**, North Palm Beach, FL (US)

(**) Term: **15 Years**

(21) Appl. No.: **29/540,353**

(22) Filed: **Sep. 23, 2015**

(51) **LOC (10) Cl.** **06-09**

(52) **U.S. Cl.**
USPC **D6/601**

(58) **Field of Classification Search**
 USPC D6/349, 355, 375, 388, 512, 563, 564, D6/595, 596, 601, 604, 611, 707, 715, 716, D6/716.1; D24/100-104, 183-185, 234; D21/803, 804, 805, 809; D28/4, 9
 CPC A47G 9/10; A47G 9/1009; A47G 9/1018; A47G 9/1027; A47G 9/1036; A47G 9/1045; A47G 9/1063; A47G 9/1072; A47G 9/1081; A47G 9/109; A47B 11/00; A47B 13/08; A47B 13/10; A47C 7/021; A47C 27/00; A47C 7/18

See application file for complete search history.

(56) **References Cited**

U.S. PATENT DOCUMENTS

D268,976 S	*	5/1983	Ross	D6/601
D284,724 S	*	7/1986	Clark	D6/596
D325,683 S	*	4/1992	Meyer	D6/601
D557,420 S	*	12/2007	Stillwell	D24/183
D615,710 S	*	5/2010	Zine	D30/118
D720,145 S	*	12/2014	Pierre	D6/361
D749,873 S	*	2/2016	Latrofa	D6/601

* cited by examiner

Primary Examiner — Mary Ann Calabrese
Assistant Examiner — Jennifer L Rempfer
 (74) *Attorney, Agent, or Firm* — McHale & Slavin, P.A.

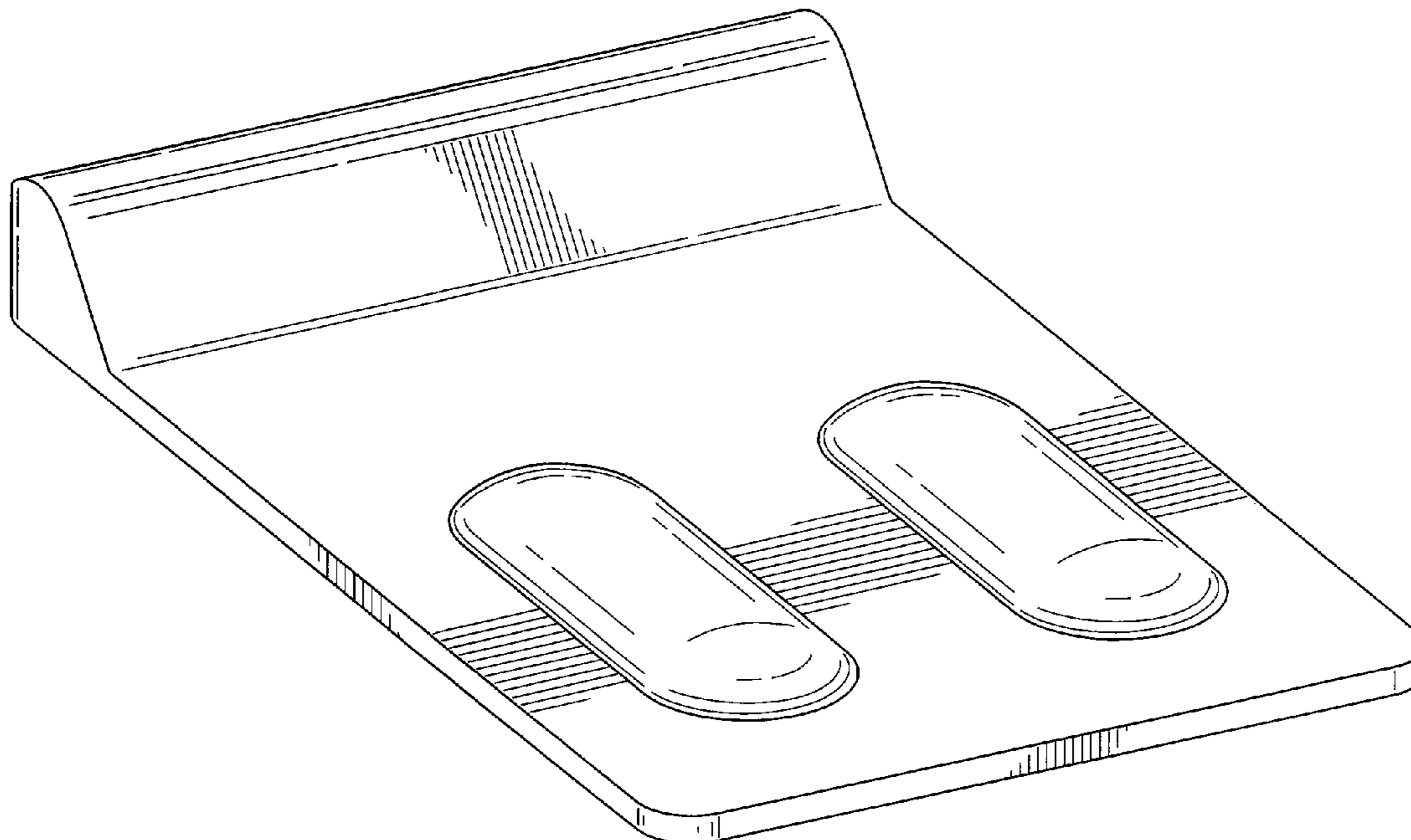
(57) **CLAIM**

The ornamental design for a knee mat, as shown and described.

DESCRIPTION

FIG. 1 is a top front left isometric view of the knee mat of the present invention;
 FIG. 2 is a bottom rear left isometric view thereof;
 FIG. 3 is a front view thereof;
 FIG. 4 is a rear view thereof;
 FIG. 5 is a left side view thereof;
 FIG. 6 is a right side view thereof;
 FIG. 7 is a top view thereof; and,
 FIG. 8 is a bottom view thereof.

1 Claim, 6 Drawing Sheets



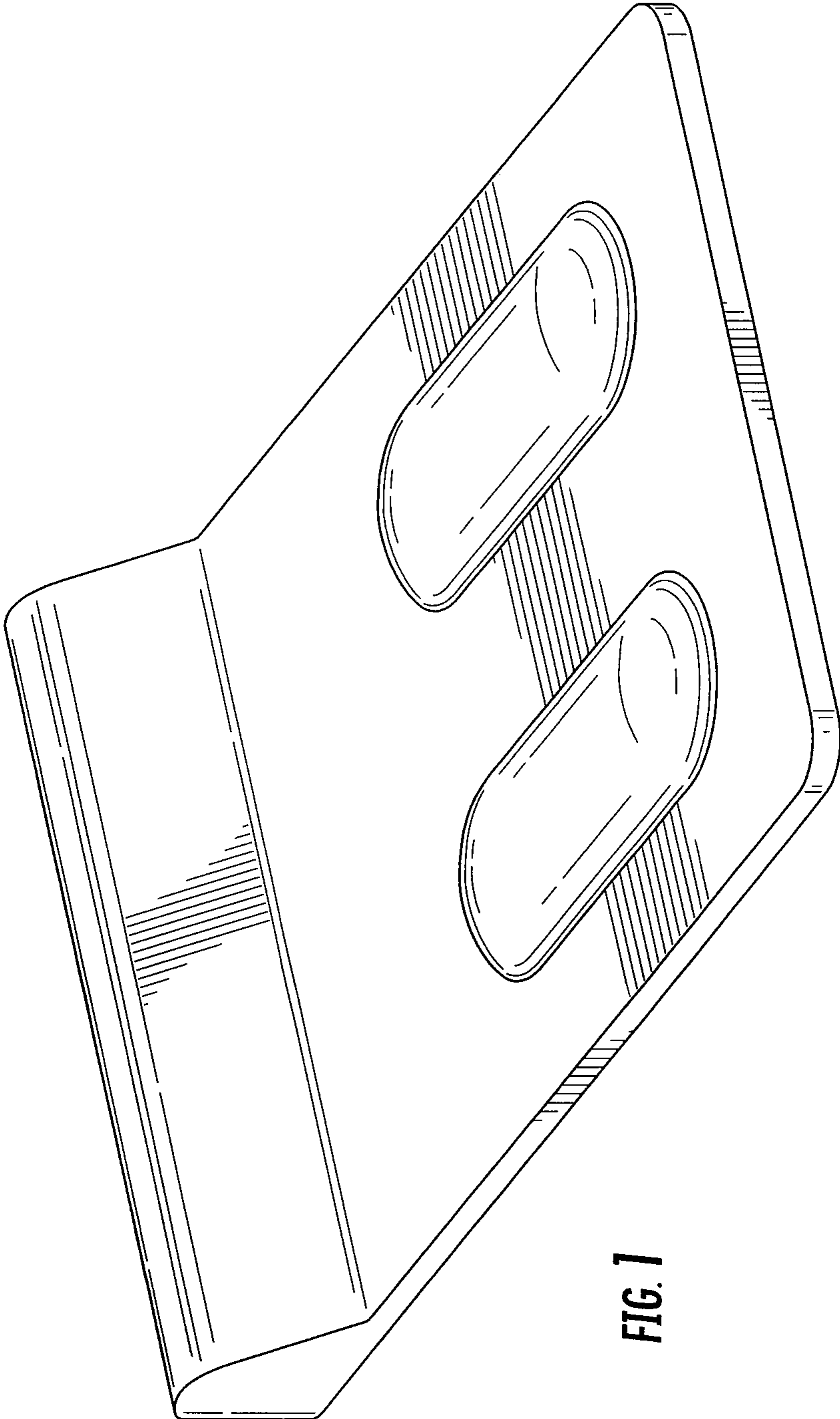


FIG. 1

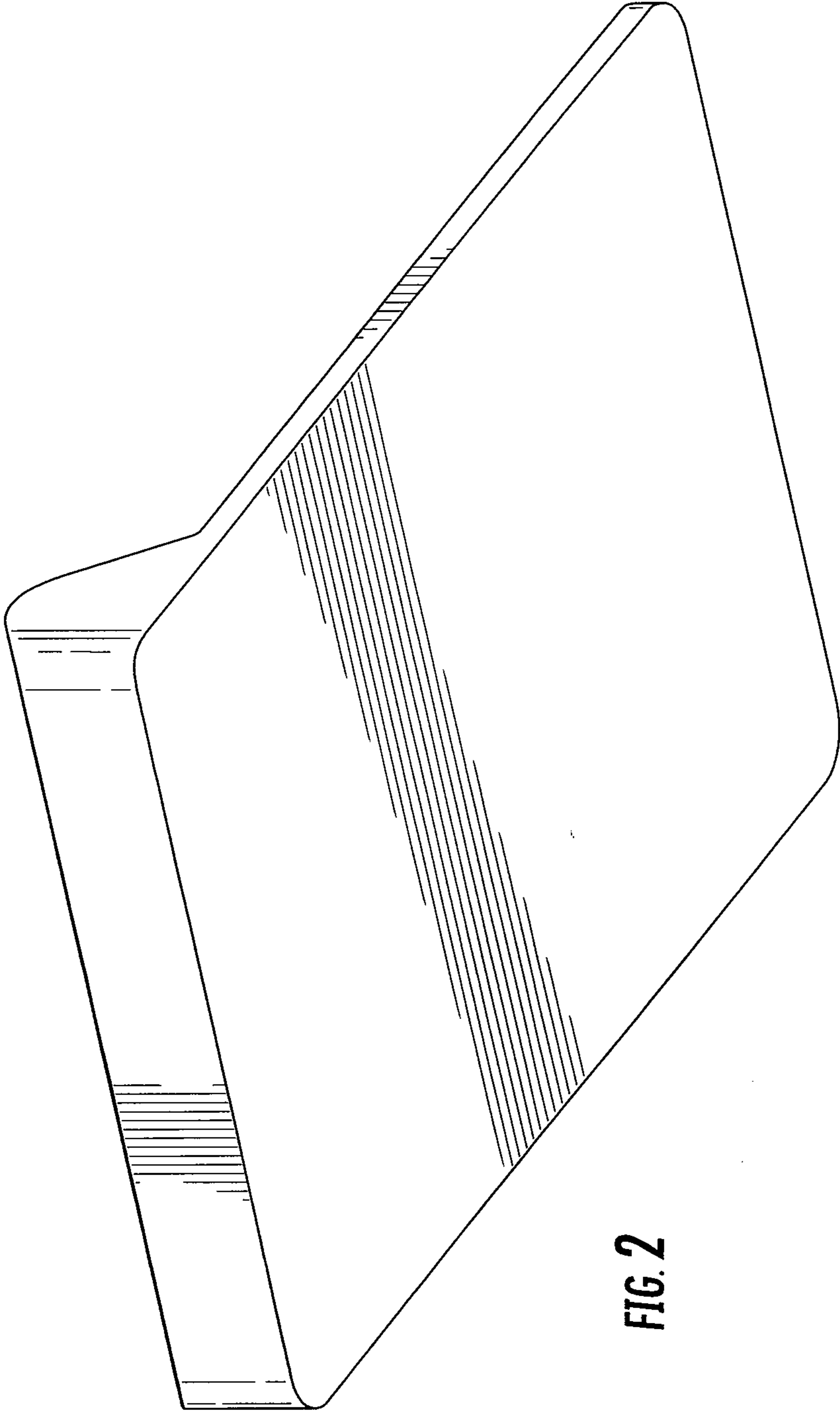


FIG. 2

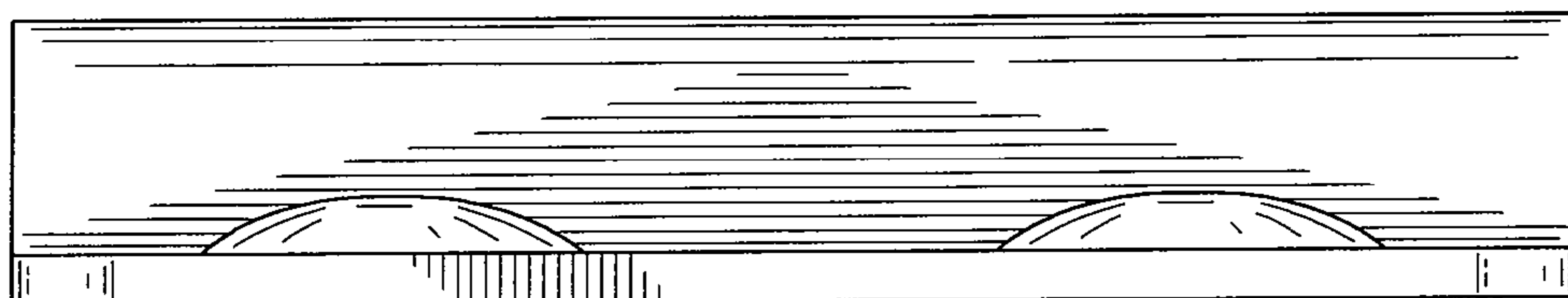


FIG. 3

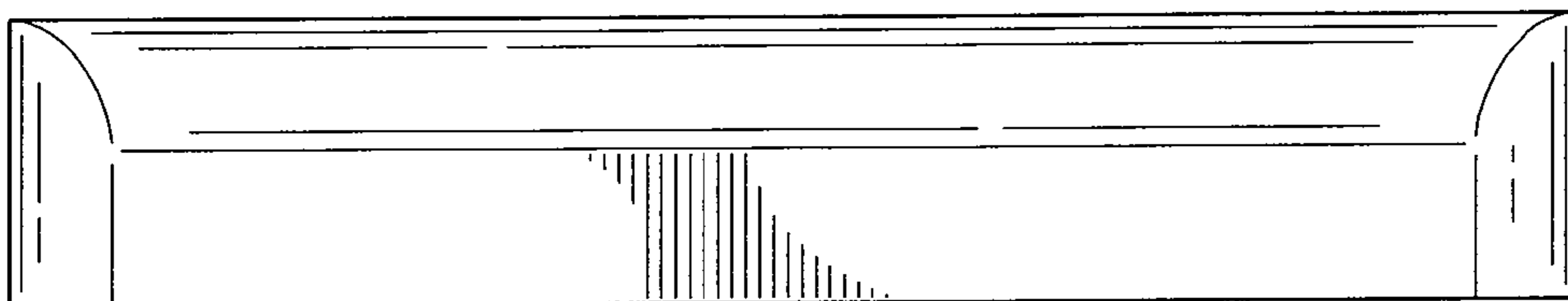


FIG. 4

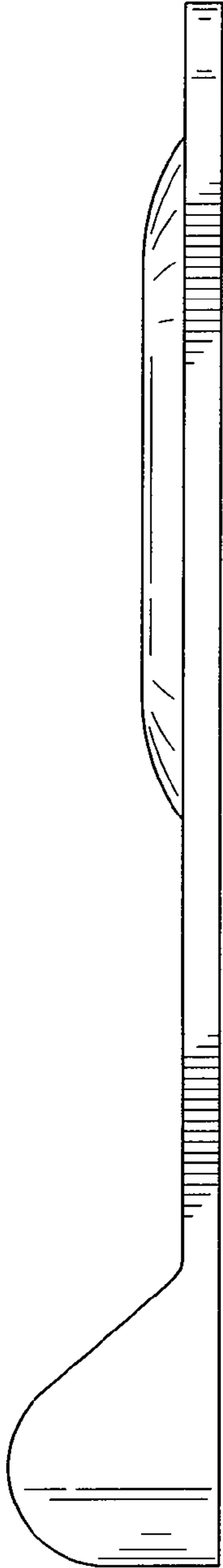


FIG. 5

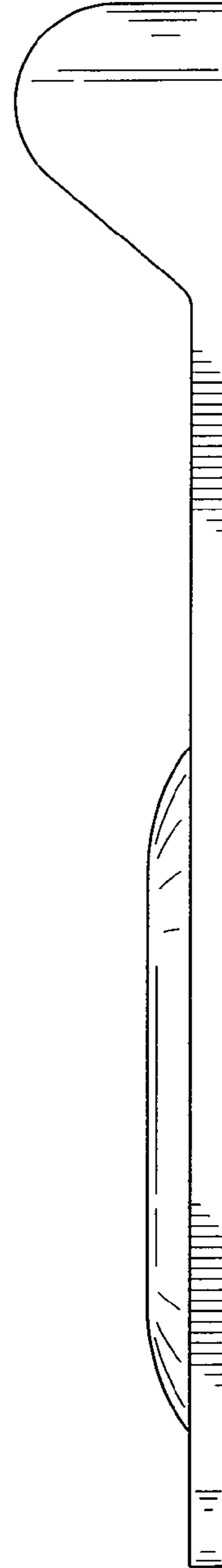


FIG. 6

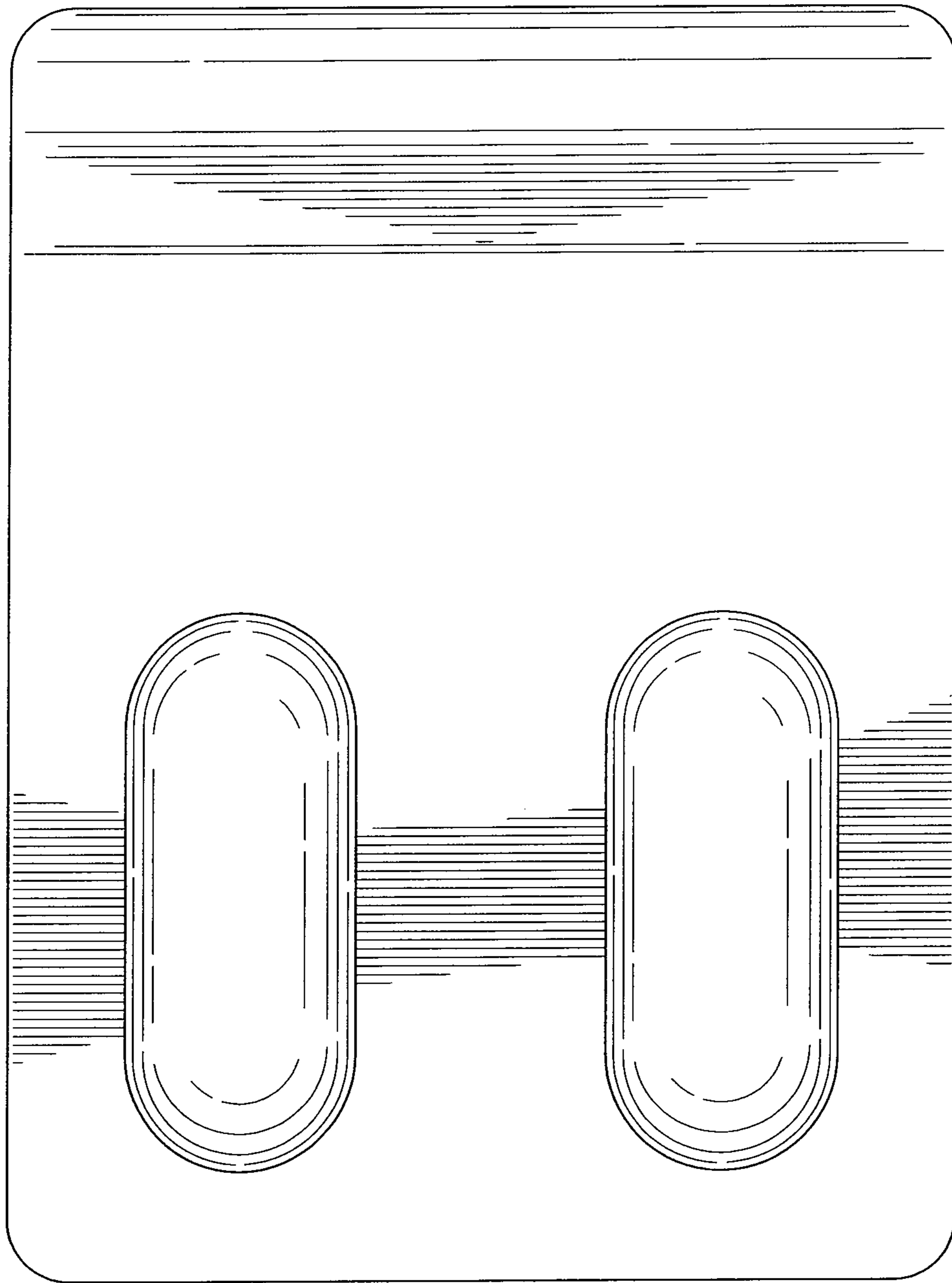


FIG. 7

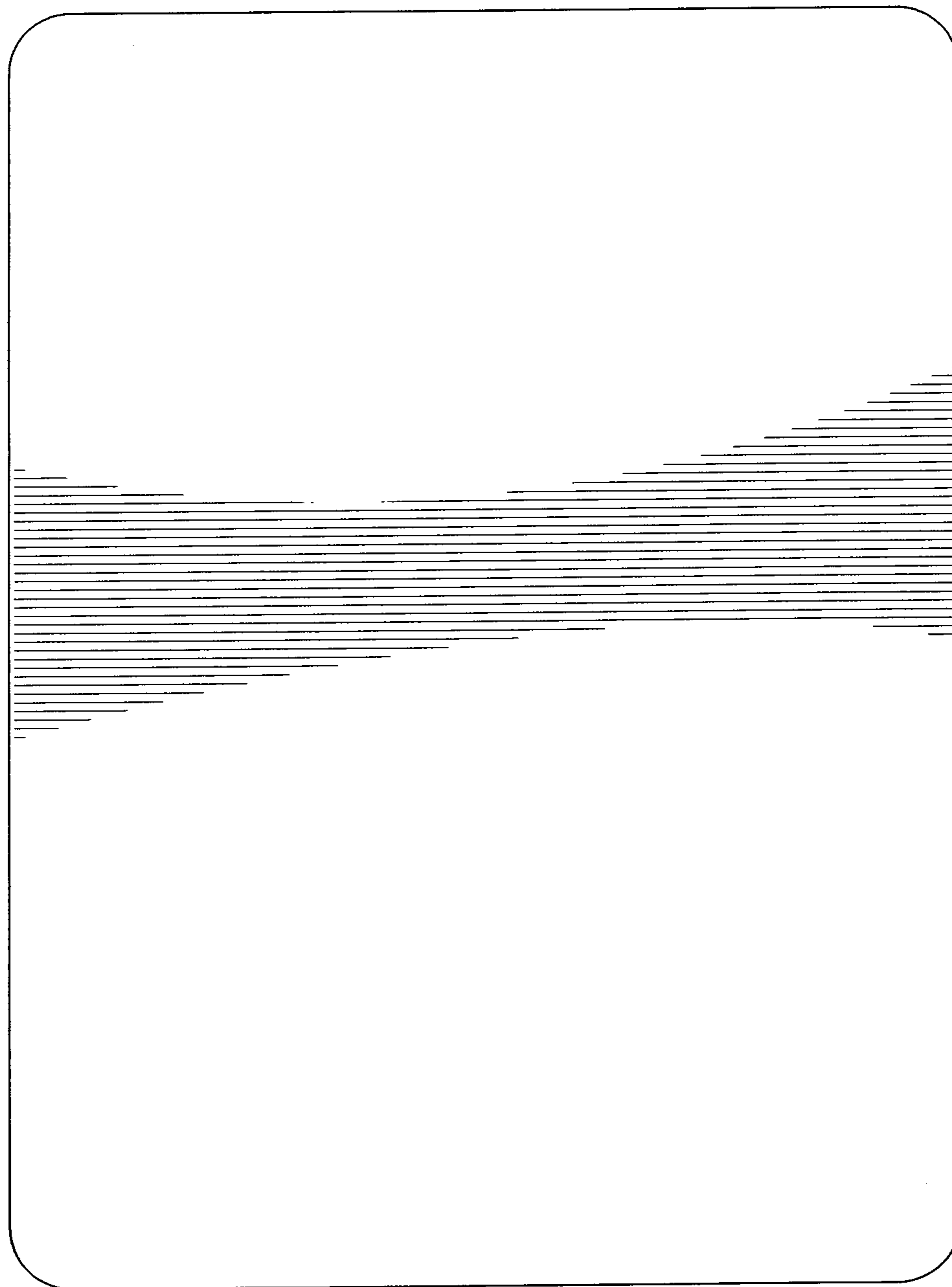


FIG. 8