



US00D771975S

(12) **United States Design Patent**
Goldfarb Pelletier

(10) **Patent No.:** **US D771,975 S**

(45) **Date of Patent:** **** Nov. 22, 2016**

(54) **KNEE PILLOW**

(71) Applicant: **Pillow Solve Inc.**, Montreal (CA)

(72) Inventor: **Eileen Goldfarb Pelletier**, Montreal (CA)

(73) Assignee: **Pillow Solve Inc.**, Montreal, Qc (CA)

(**) Term: **14 Years**

(21) Appl. No.: **29/504,770**

(22) Filed: **Oct. 9, 2014**

(51) **LOC (10) Cl.** **06-09**

(52) **U.S. Cl.**
USPC **D6/601**

(58) **Field of Classification Search**
USPC D6/595-601, 604-606; D19/34;
D21/803, 804; D24/183, 184, 190;
D29/121.1; D30/118, 119
CPC A47C 7/021; A47C 7/383; A47C 7/46;
A47C 20/00; A47C 20/21; A47C 20/25;
A47D 13/00; A47D 13/08; A47G 9/00;
A47G 9/10; A47G 9/1027; A47G 9/1036;
A47G 9/1045; A47G 9/1054; A47G 9/1063;
A47G 9/1072; A47G 9/1081; A47G 9/109;
A47G 2009/003; A47G 2009/1018; A61F
13/061; A61F 13/062; A61L 15/07
See application file for complete search history.

(56) **References Cited**

U.S. PATENT DOCUMENTS

4,177,806 A 12/1979 Griffin
4,475,543 A * 10/1984 Brooks A61L 15/07
602/19

D393,073 S * 3/1998 Downing D24/190
6,145,508 A 11/2000 Seip, Jr.
D439,342 S * 3/2001 Seip, Jr. D24/190
D503,579 S * 4/2005 Covert D6/601
D624,588 S * 9/2010 Robbins D19/34
D663,563 S * 7/2012 Szeto D6/601
D678,536 S * 3/2013 Niefer D24/190
D696,391 S * 12/2013 Sidell D23/366
D725,786 S * 3/2015 Romo D24/190

* cited by examiner

Primary Examiner — Mary Ann Calabrese

(74) *Attorney, Agent, or Firm* — Anglehart et al.

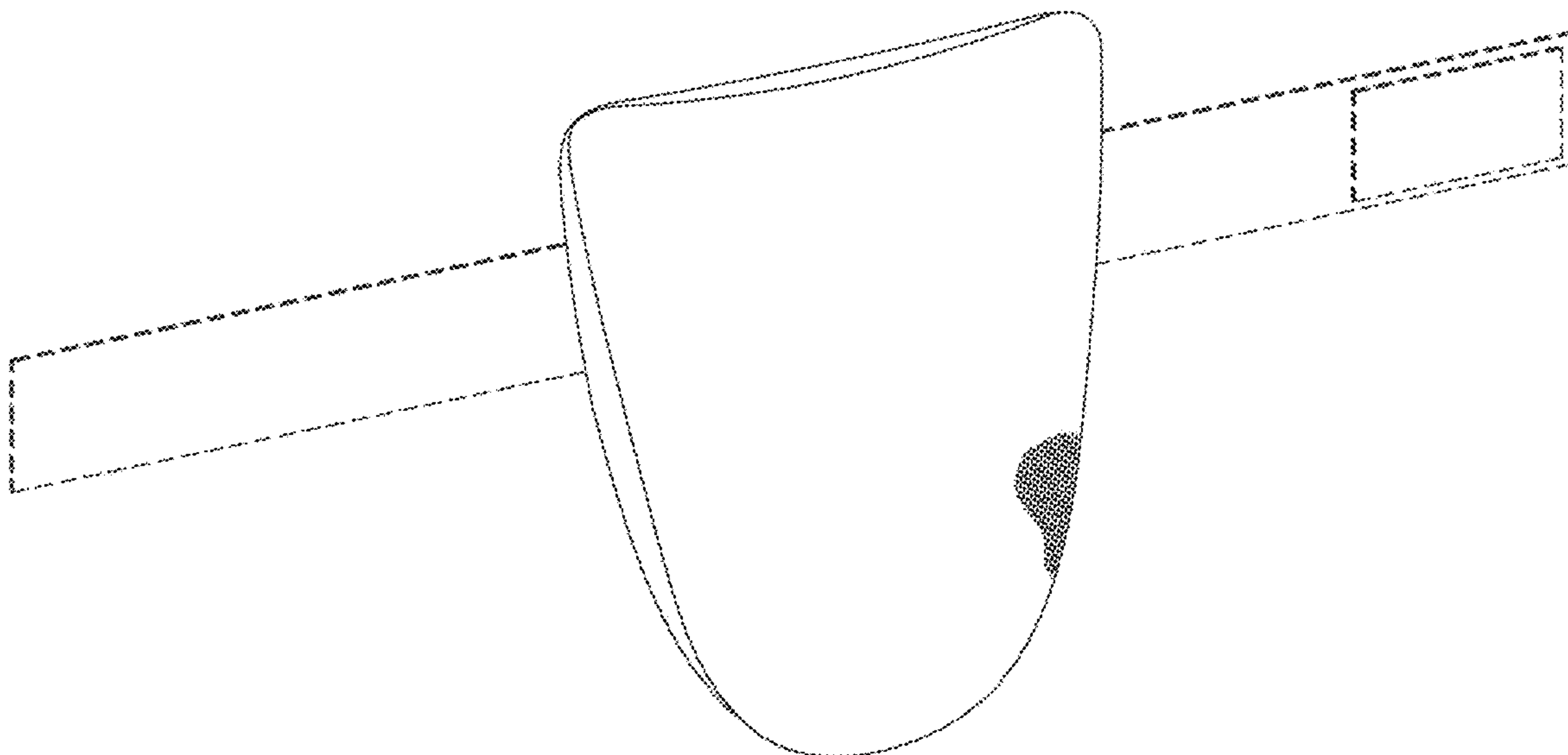
(57) **CLAIM**

What is claimed is the ornamental design for a knee pillow, as shown and described.

DESCRIPTION

FIG. 1 shows a perspective view of a knee pillow;
FIG. 2 shows a rear plan view of the knee pillow of FIG. 1;
FIG. 3 shows a front plan view of the knee pillow of FIG. 1;
FIG. 4 shows a top view of the knee pillow of FIG. 1;
FIG. 5 shows a bottom view of the knee pillow of FIG. 1;
FIG. 6 shows a left-side view of the knee pillow of FIG. 1;
and,
FIG. 7 shows a right-side view of the knee pillow of FIG. 1.
The portions of the knee pillow shown in broken lines form no part of the claimed design.

1 Claim, 5 Drawing Sheets



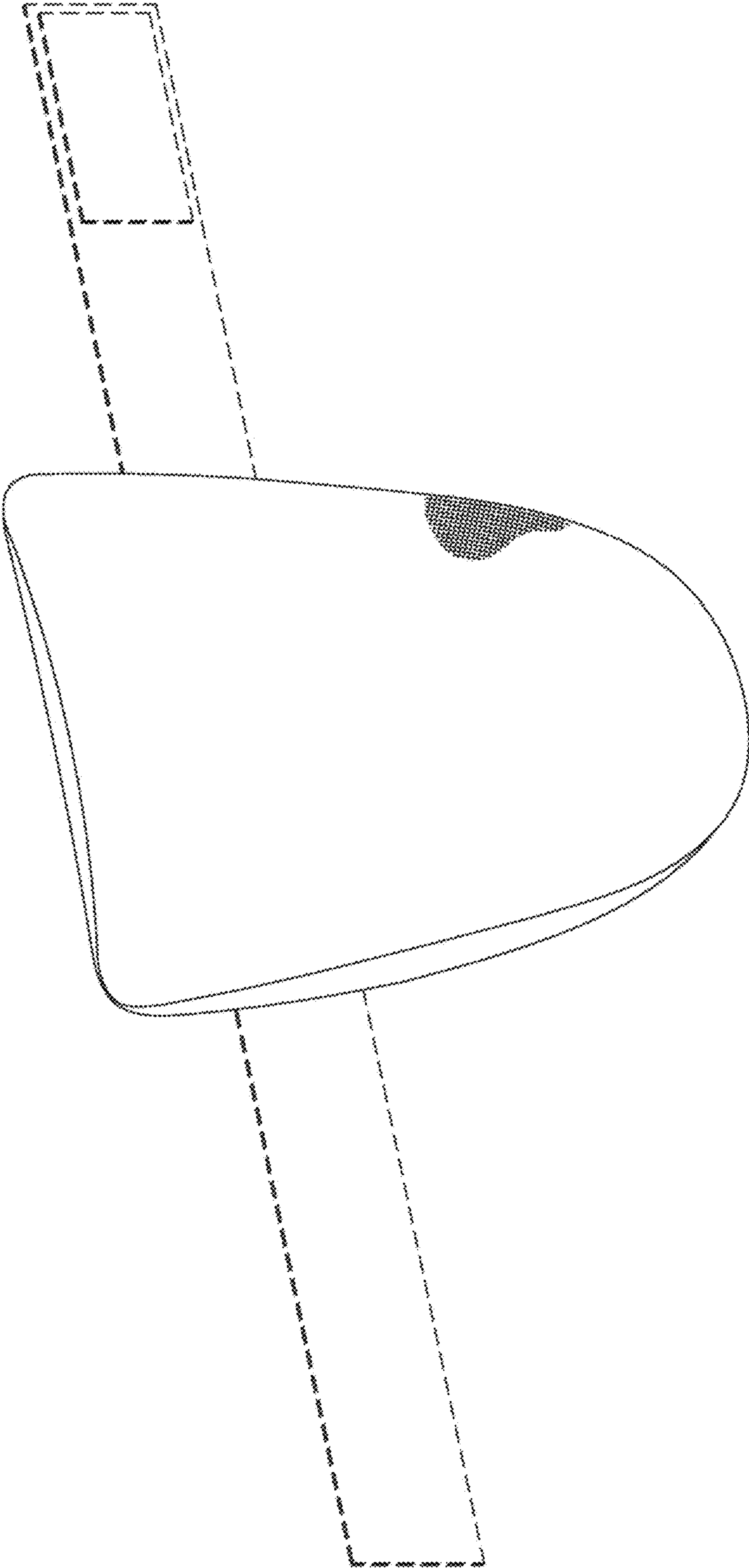


FIG. 1

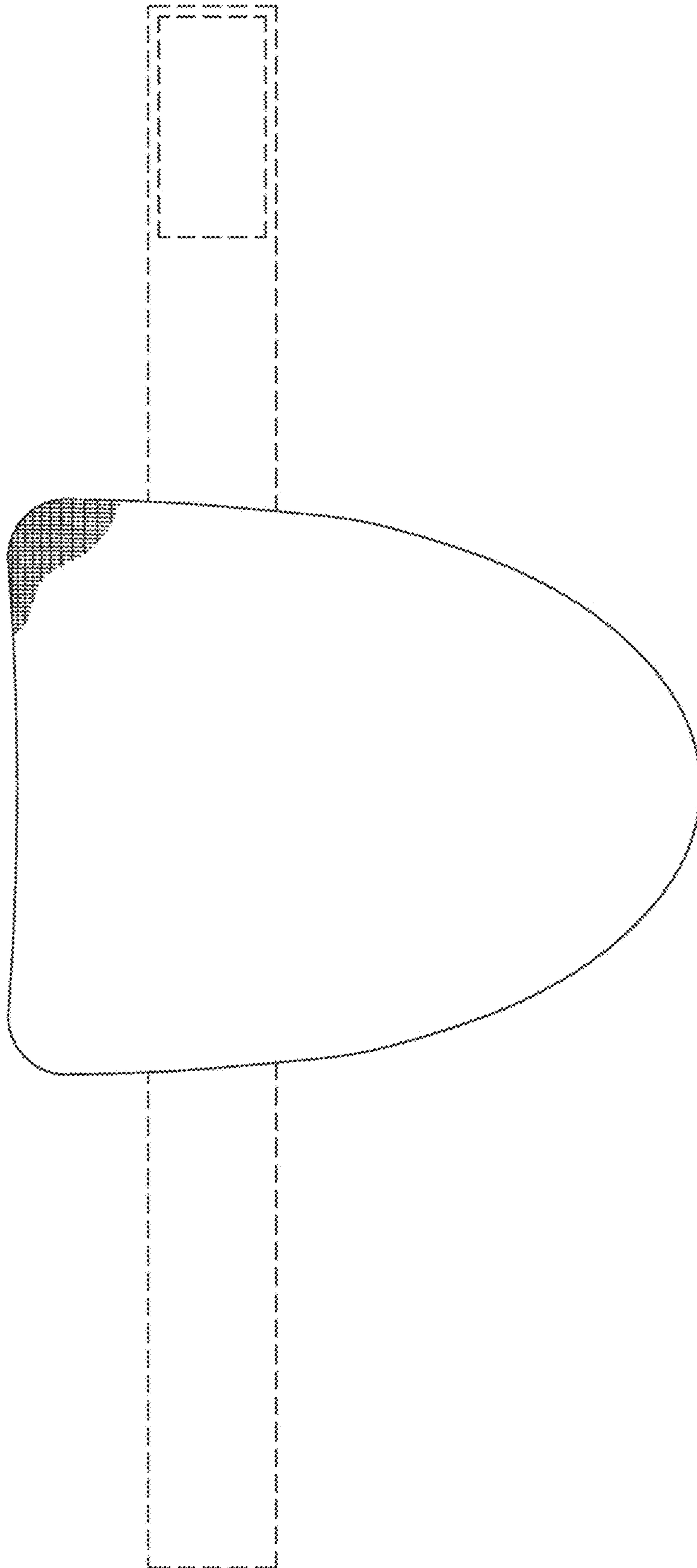


FIG. 2

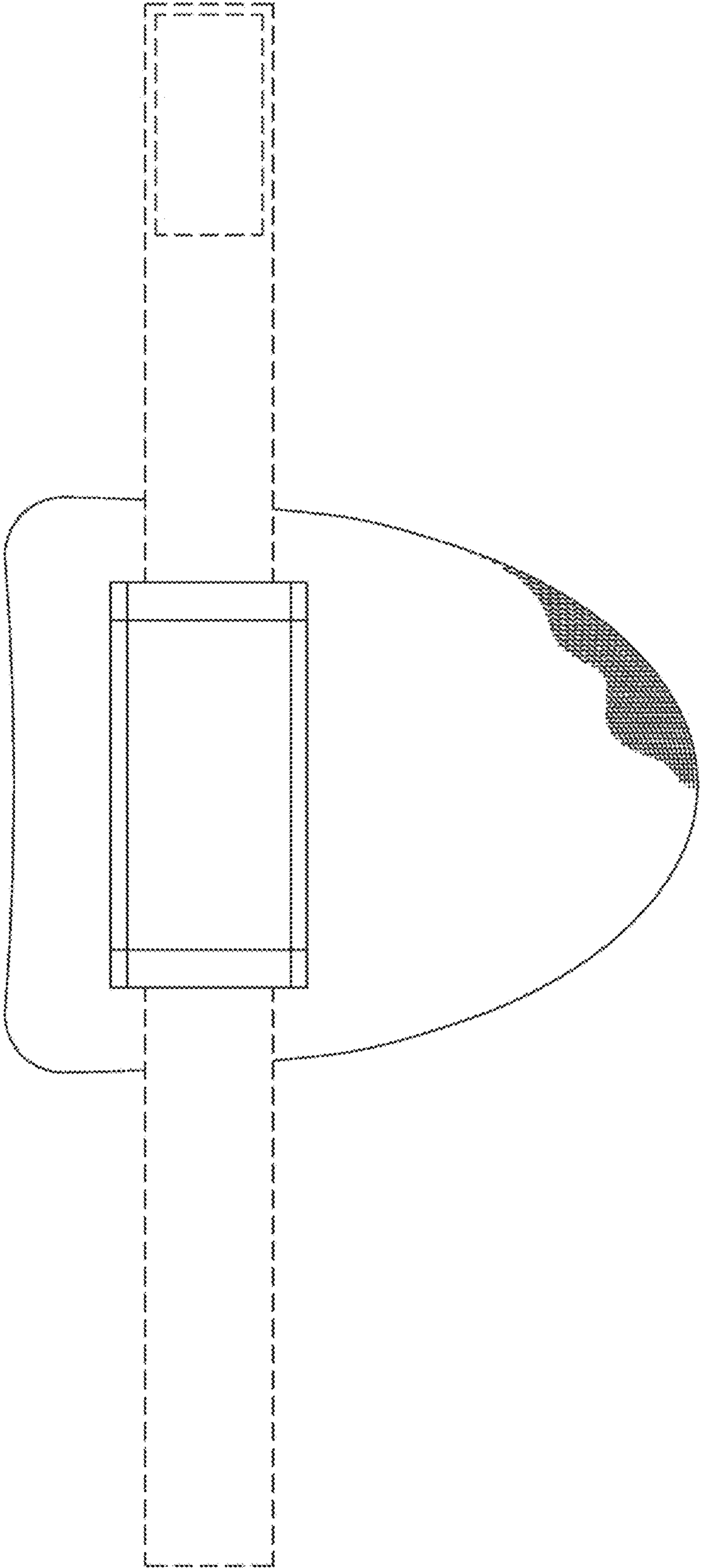


FIG. 3

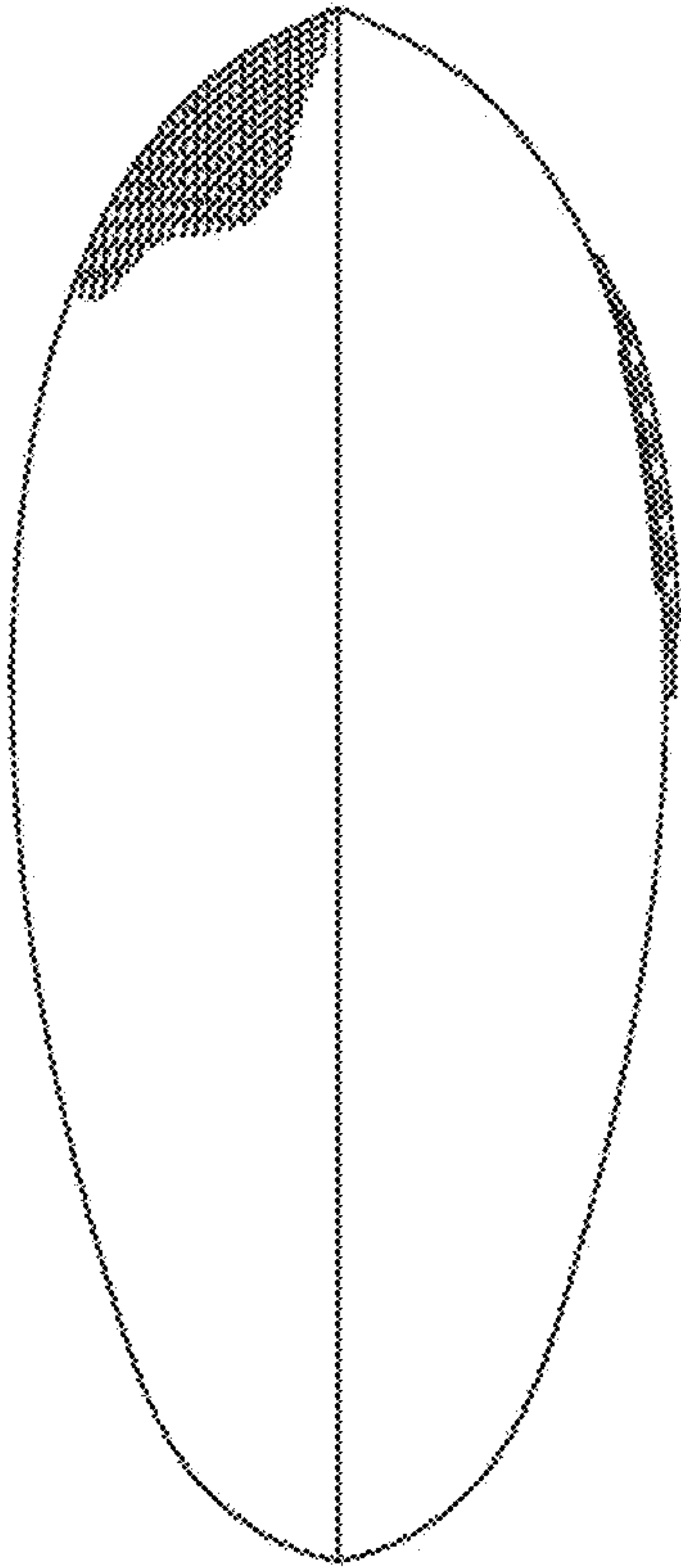


FIG. 4

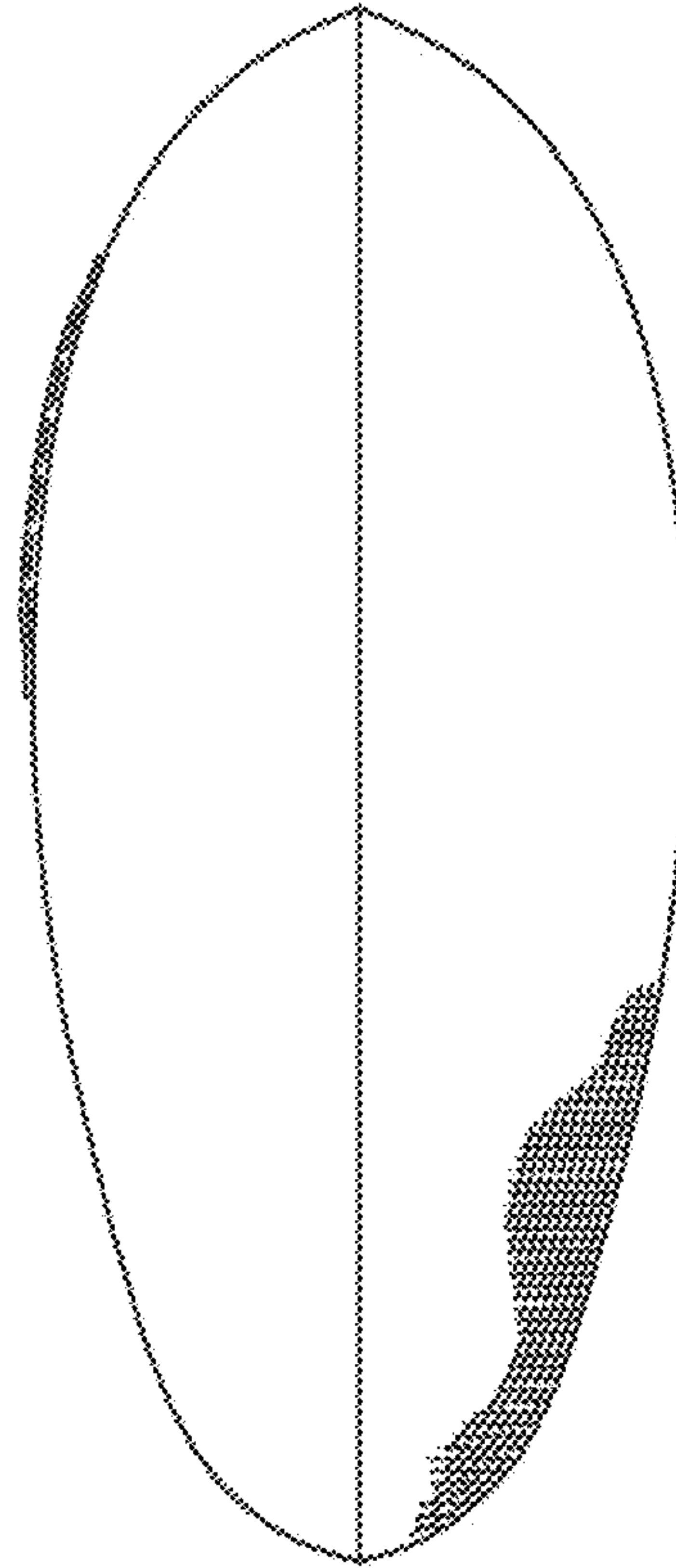


FIG. 5

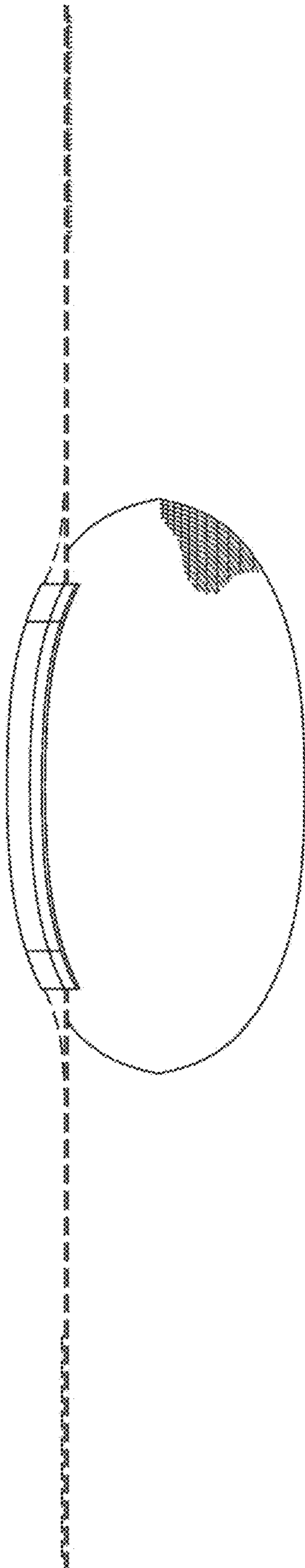


FIG. 6

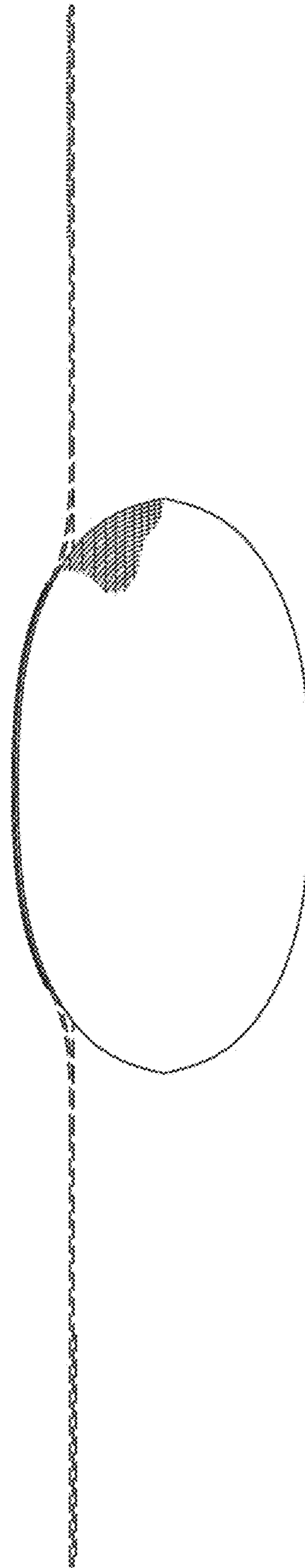


FIG. 7