



US00D771972S

(12) **United States Design Patent** (10) **Patent No.:** **US D771,972 S**
Tsai (45) **Date of Patent:** **** Nov. 22, 2016**

(54) **WALL MOUNTING RACK**
(71) Applicant: **PRETTY STAR STORE LLC**,
Rowland Heights, CA (US)
(72) Inventor: **Tsung-Yu Tsai**, Changhua (TW)
(73) Assignee: **PRETTY STAR STORE LLC**,
Rowland Heights, CA (US)
(**) Term: **14 Years**
(21) Appl. No.: **29/516,995**
(22) Filed: **Feb. 9, 2015**
(51) **LOC (10) Cl.** **06-04**
(52) **U.S. Cl.**
USPC **D6/569**
(58) **Field of Classification Search**
USPC D6/518-524, 548-550, 574, 567, 569;
D8/300, 303, 315-321, 349, 354, 363,
D8/373, 380; 108/28-29; 211/13.1, 16,
211/60.1, 100, 86.01, 87.01, 88.01, 88.04,
211/105.1-105.2, 123, 182, 181.1;
248/176, 176.1, 251, 302, 309.1;
16/110.1, 412, 415; 242/570, 590,
242/595-598
CPC .. F16M 13/02; A47B 95/008; A47B 96/067;
B25H 3/04; A47C 17/84
See application file for complete search history.

D617,126 S * 6/2010 Snider D6/513
D636,198 S * 4/2011 Gibbs D6/513
D645,685 S * 9/2011 Goodman D6/566
D666,859 S * 9/2012 Goodman D6/566
D673,404 S * 1/2013 Grandidier D6/569
D699,467 S * 2/2014 Tsai D6/514
D700,828 S * 3/2014 Goodman D8/367
D705,577 S * 5/2014 Goodman D6/566
D705,578 S * 5/2014 Schraufnagel D6/572
D707,539 S * 6/2014 Goodman D8/372
D708,048 S * 7/2014 Goodman D8/372
D710,628 S * 8/2014 Goodman D6/566
D712,679 S * 9/2014 Collins D6/569
D712,680 S * 9/2014 Soldan D6/569
D751,373 S * 3/2016 Goodman D8/372
2013/0105653 A1* 5/2013 Borys F16B 45/00
248/304

OTHER PUBLICATIONS

Amazon.com, DecoBros Wall Mount Mail Letter and Key Rack Holder Organizer, Bronze, Mar. 29, 2015, <https://www.amazon.com/dp/B00OLHLDFY?psc=1>.*

* cited by examiner

Primary Examiner — David Muller
Assistant Examiner — Nathan Johnston
(74) *Attorney, Agent, or Firm* — Muncy, Geissler, Olds & Lowe, P.C.

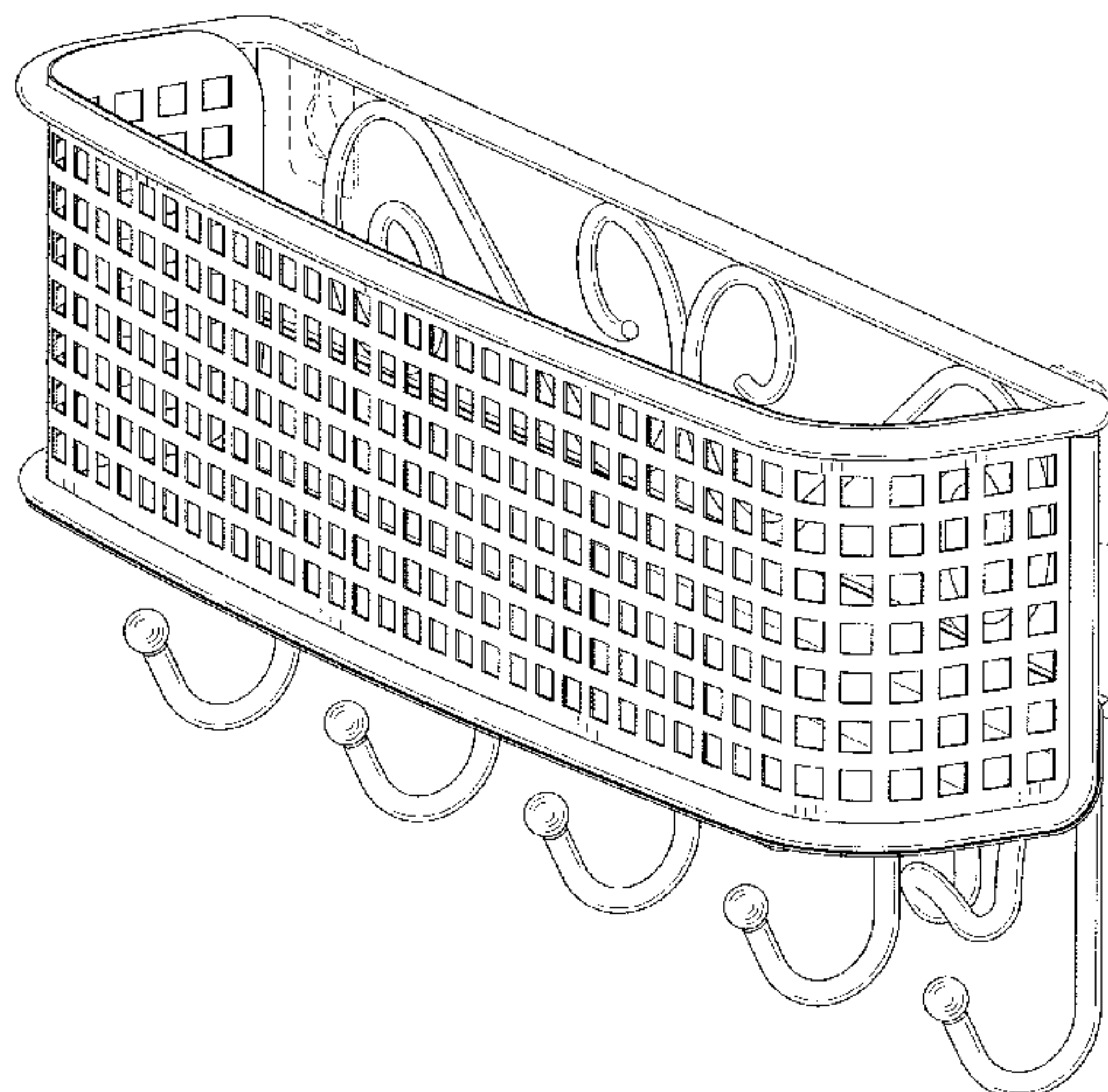
(57) **CLAIM**
The ornamental design for a wall mounting rack, as shown and described.

DESCRIPTION

FIG. 1 is a perspective view of the present design;
FIG. 2 is a front elevation view thereof;
FIG. 3 is a rear elevation view thereof;
FIG. 4 is a left side elevation view thereof;
FIG. 5 is a right side elevation view thereof;
FIG. 6 is a top plan view thereof; and,
FIG. 7 is a bottom plan view thereof.
The features shown in broken lines depict environmental subject matter only and form no part of the claimed design.

1 Claim, 5 Drawing Sheets

(56) **References Cited**
U.S. PATENT DOCUMENTS
D371,484 S * 7/1996 Munoz D6/566
D416,728 S * 11/1999 Kelso D6/525
D466,396 S * 12/2002 Snell D6/513
D483,587 S * 12/2003 Snell D6/525
D484,345 S * 12/2003 Clucas D6/566
D491,792 S * 6/2004 Snell D8/367
D498,630 S * 11/2004 Suero, Jr. D6/566
D555,366 S * 11/2007 Goodman D6/323
D568,725 S * 5/2008 Snider D8/372
D601,632 S * 10/2009 Goodman D19/90



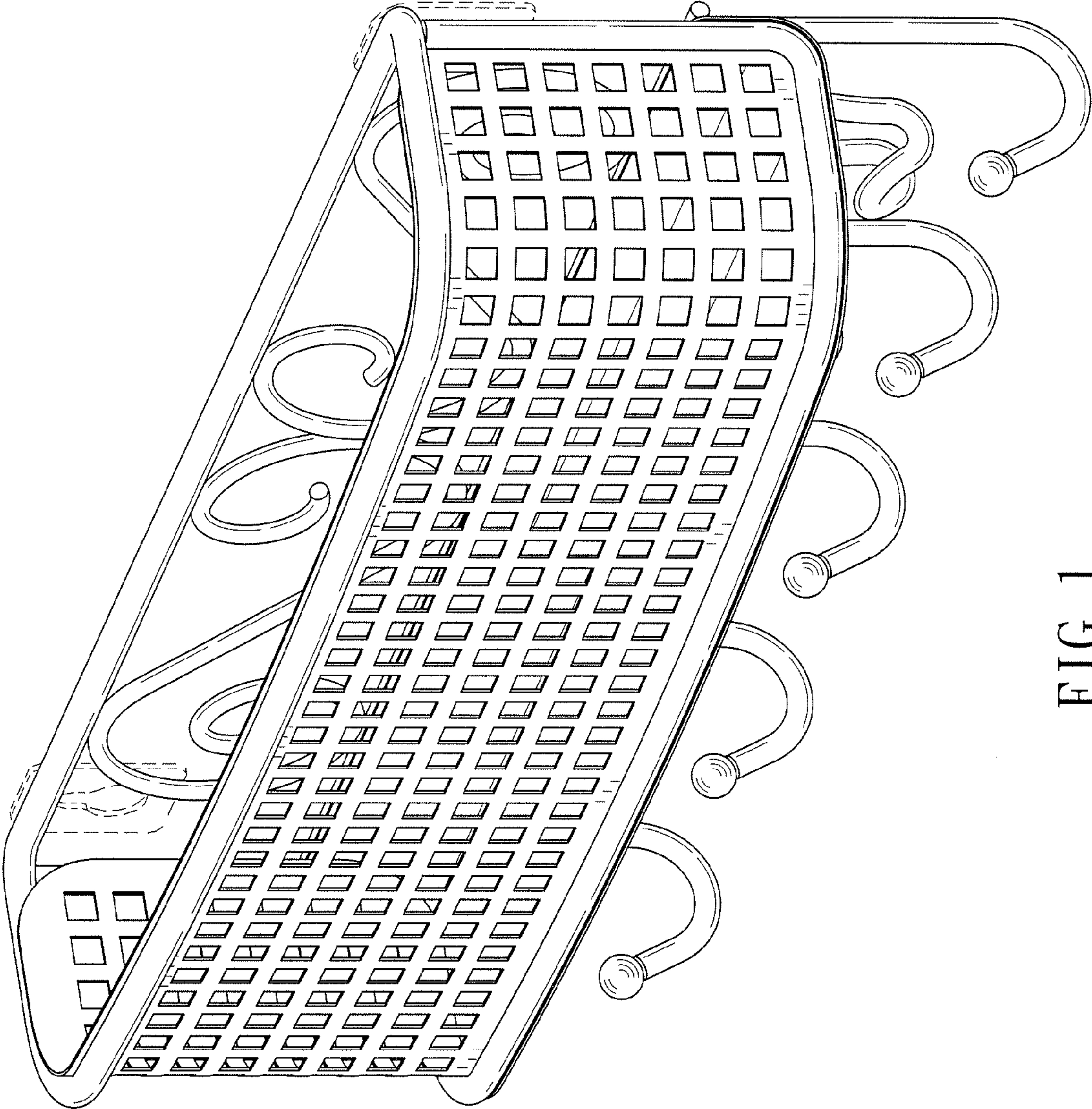


FIG. 1

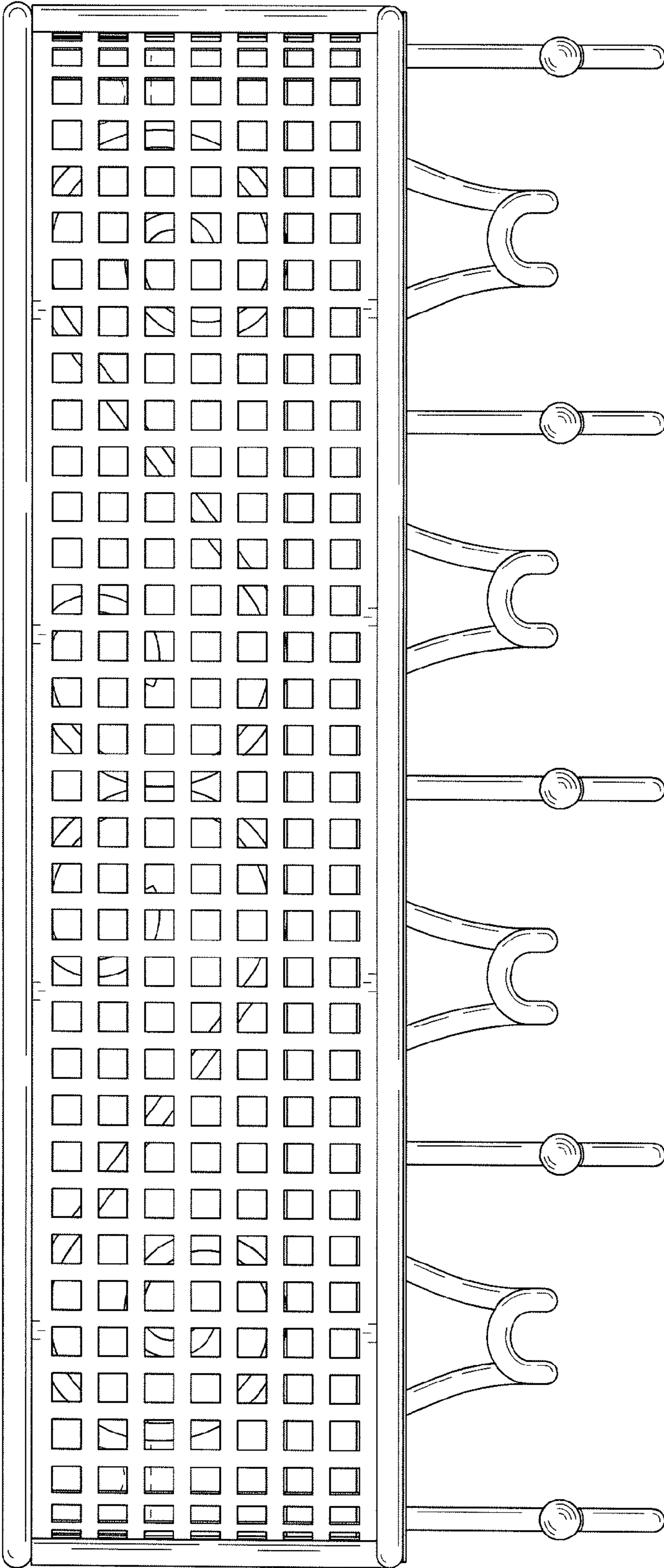


FIG. 2

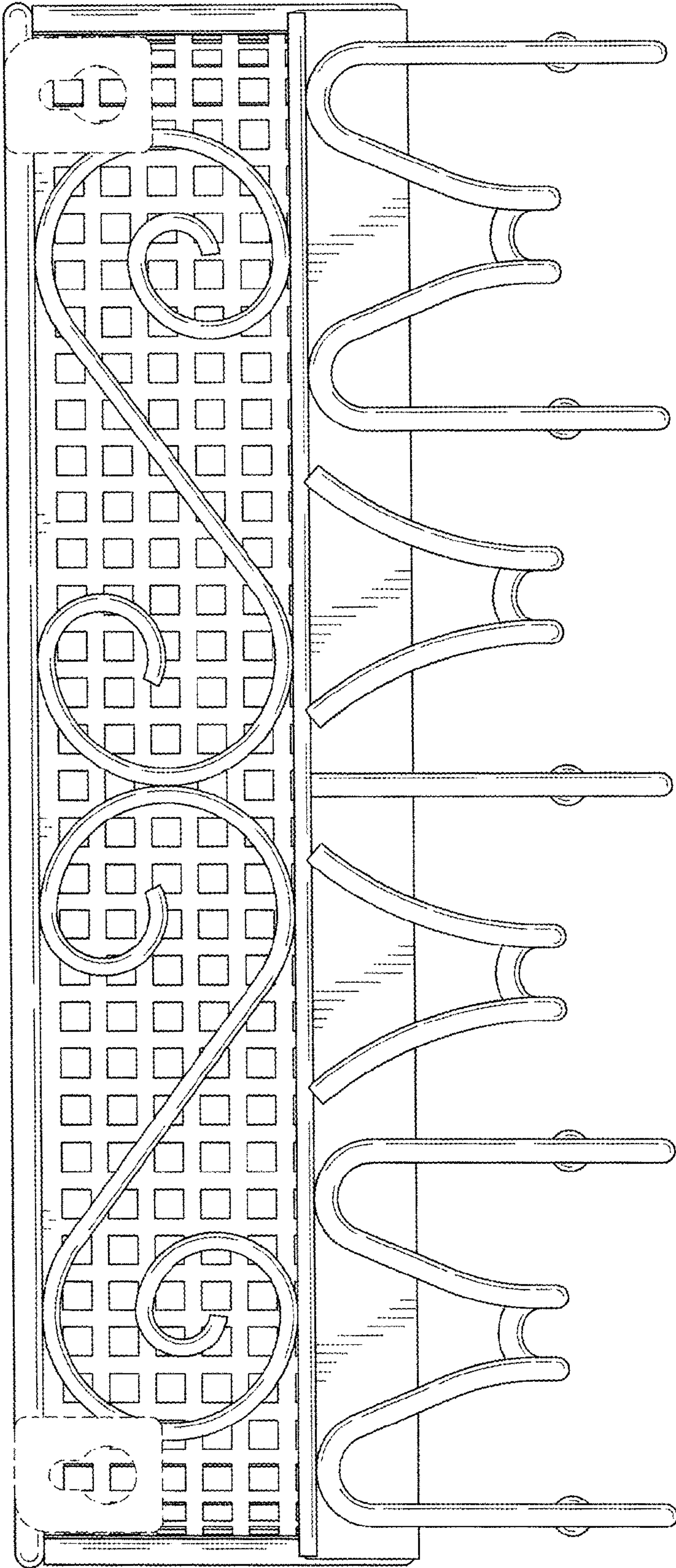


FIG. 3

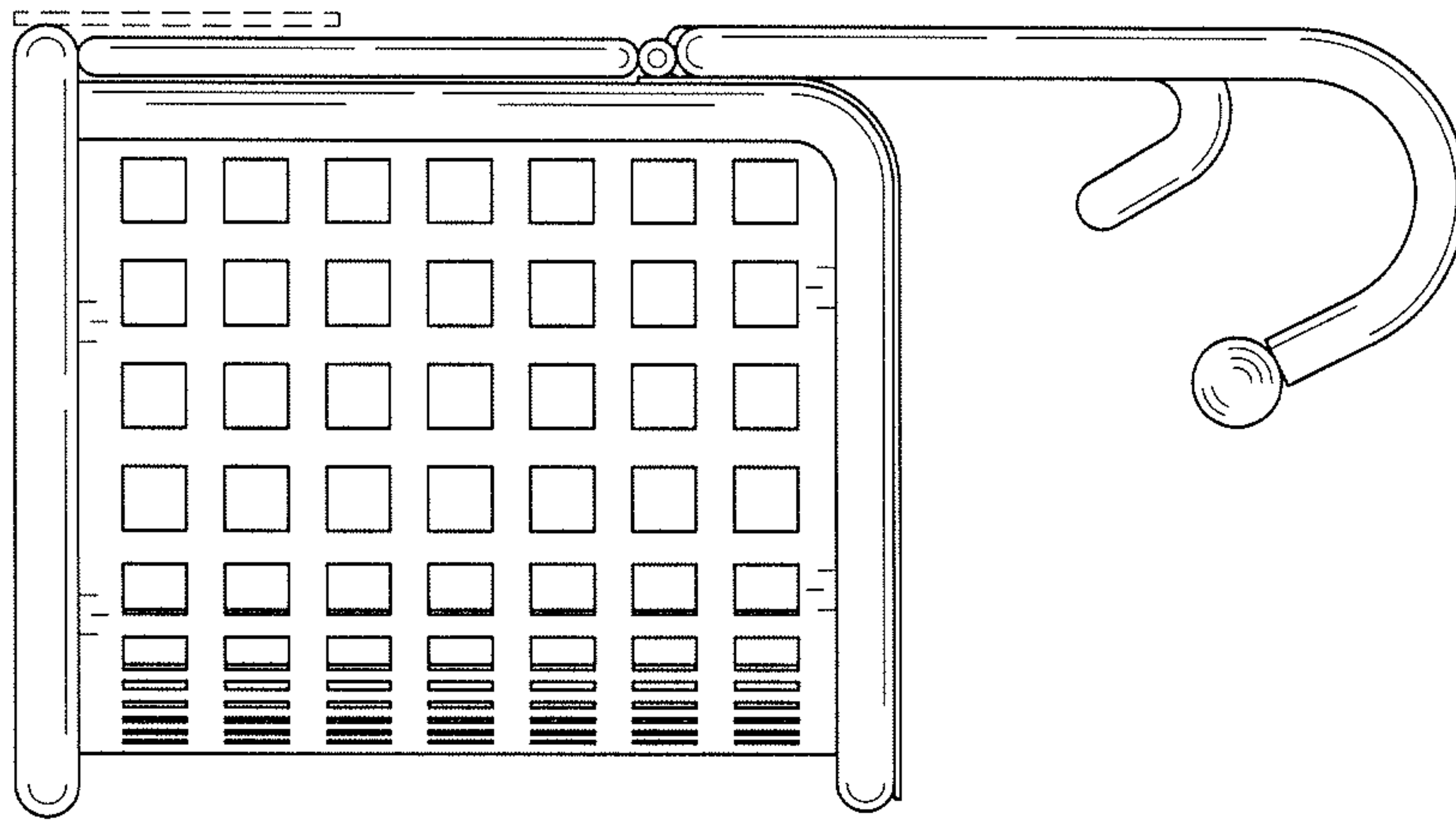


FIG. 5

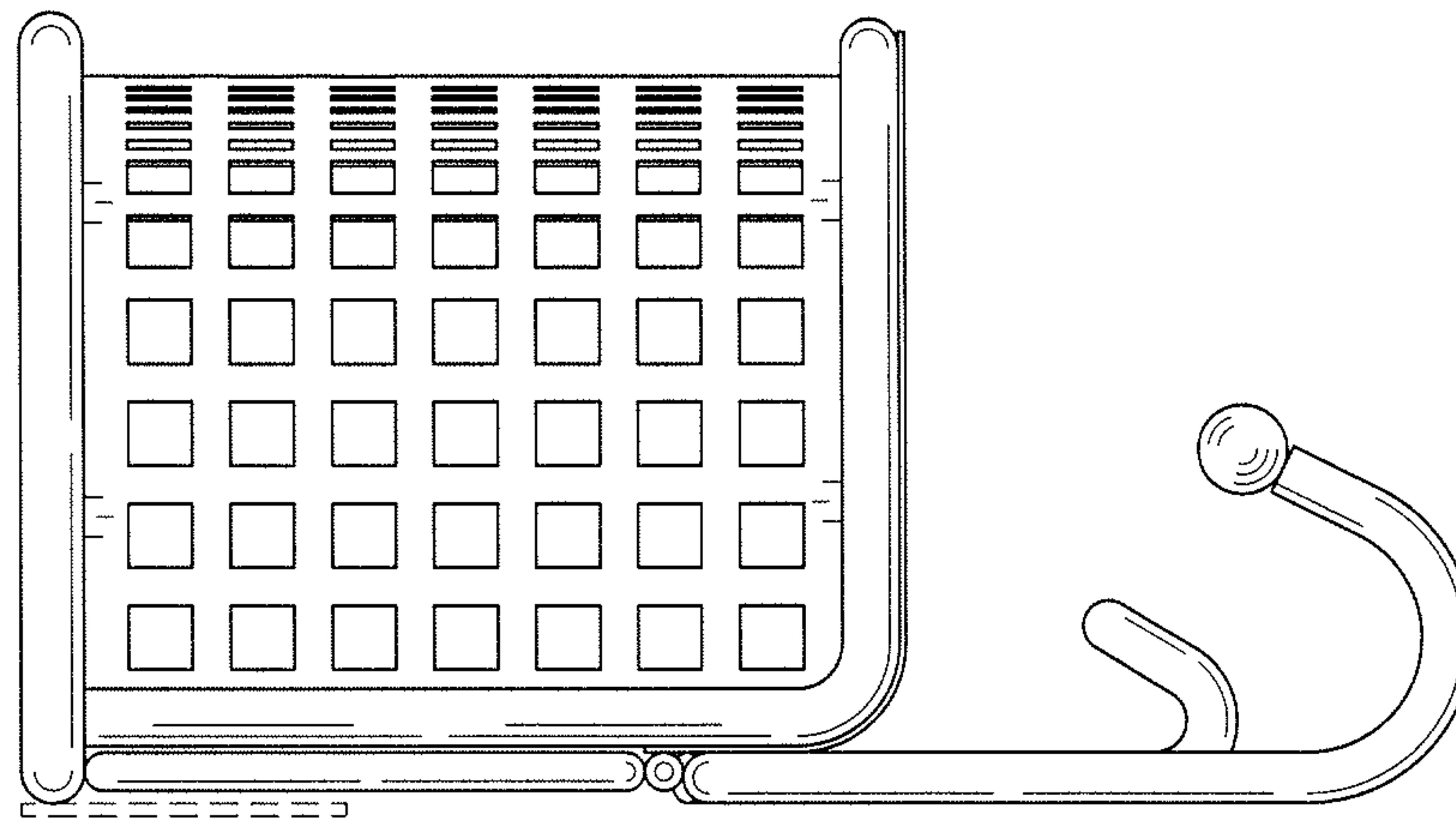


FIG. 4

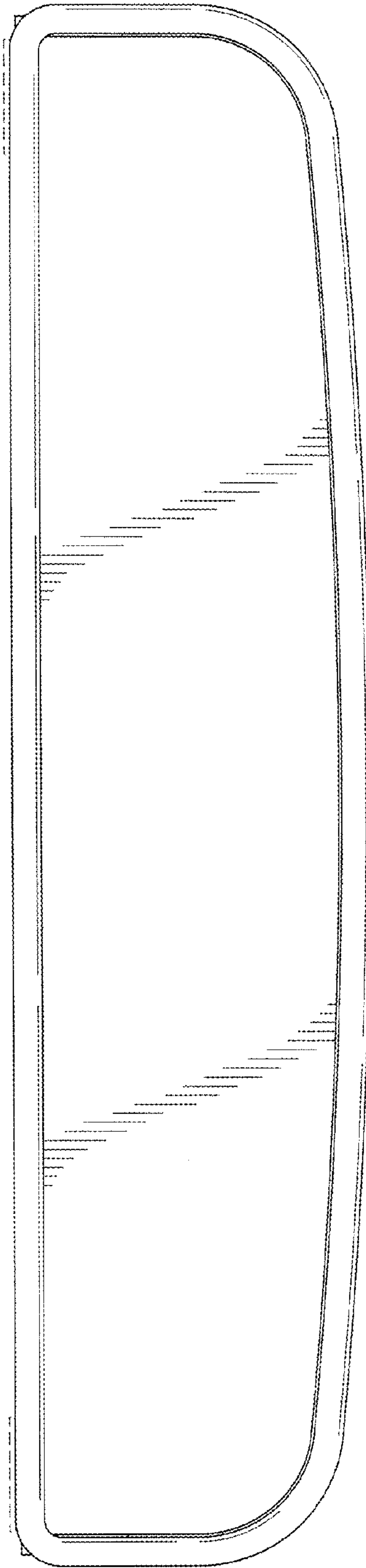


FIG. 6

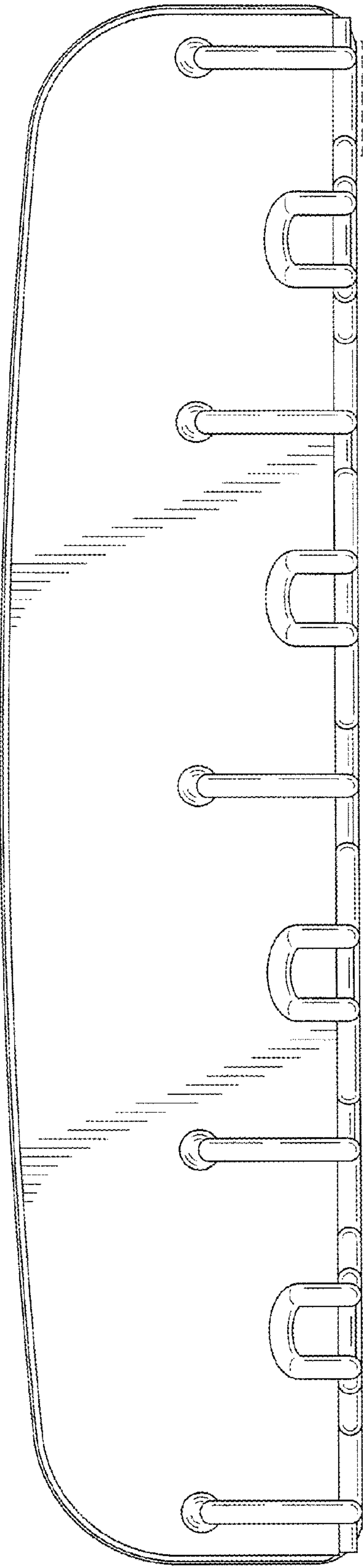


FIG. 7