



US00D771970S

(12) **United States Design Patent**  
**Mirth et al.**

(10) **Patent No.:** **US D771,970 S**  
(45) **Date of Patent:** **\*\* Nov. 22, 2016**

(54) **PLUNGER DRIP TRAY**

(71) Applicant: **Waxman Consumer Products Group Inc.**, Bedford Heights, OH (US)

(72) Inventors: **Douglas Wayne Mirth**, Avon, OH (US); **Andrew Logar**, Willowick, OH (US)

(73) Assignee: **Waxman Consumer Products Group Inc.**, Bedford Heights, OH (US)

(\*\*) Term: **14 Years**

(21) Appl. No.: **29/510,686**

(22) Filed: **Dec. 2, 2014**

(51) **LOC (10) Cl.** ..... **23-02**

(52) **U.S. Cl.**  
USPC ..... **D6/524**

(58) **Field of Classification Search**  
USPC ..... D6/524, 525, 551; D7/541, 555, 615;  
4/255.05, 255.11; 206/207, 349, 361;  
312/206, 207  
CPC ..... A47K 17/00; A47K 11/10; A47K 3/001;  
B65D 47/40

See application file for complete search history.

(56) **References Cited**

**U.S. PATENT DOCUMENTS**

D452,401 S *	12/2001	Schmidt	.....	D6/524
6,647,567 B1 *	11/2003	Baldwin	.....	E03C 1/308 4/255.01
D515,858 S *	2/2006	Hay	.....	D6/524
D651,832 S *	1/2012	Berti	.....	D6/524
D680,779 S *	4/2013	Tronconi	.....	D6/524
D690,959 S *	10/2013	Yang	.....	D6/524
D706,549 S *	6/2014	Cho	.....	D6/524

**OTHER PUBLICATIONS**

Catalog Entitled: COBRA Products, 2PK Disposable Plungers—Series 00200; Force Cup Plungers—Series 00300 and Universal Plunger Caddy—Series 00205. Product was on sale more than (1) year prior to the filing date of the subject application, namely, Dec. 1, 2013.

TossAway Commerical Product found on the Internet at URL: <http://www.thetossaway.com/> (4) page advertisement. Product was on sale more than (1) one year prior to filing date of the subject application, namely Dec. 1, 2013.

\* cited by examiner

*Primary Examiner* — Wan Laymon

*Assistant Examiner* — Mark Booker

(74) *Attorney, Agent, or Firm* — Tarolli, Sundheim, Covell & Tummino LLP

(57) **CLAIM**

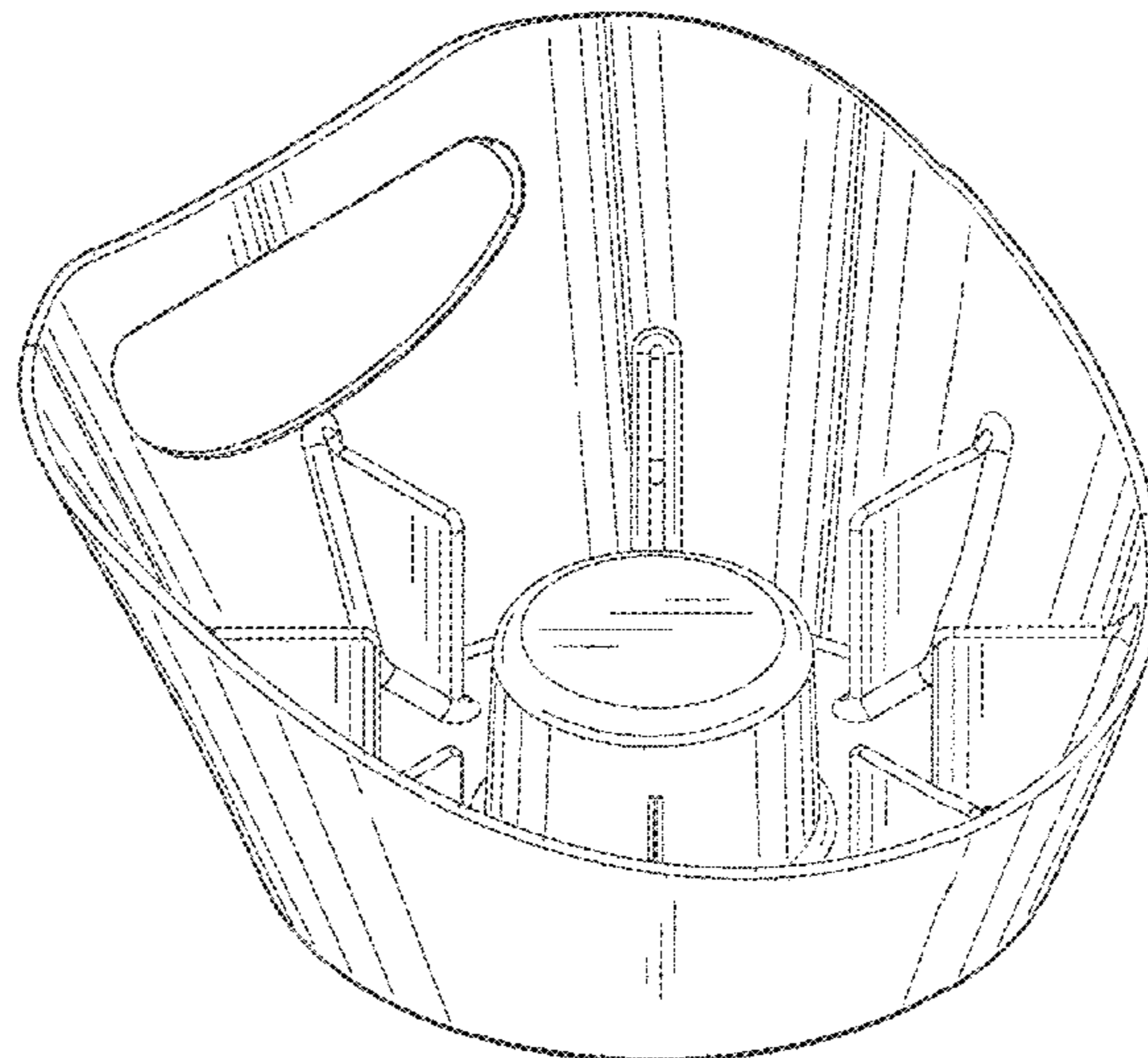
The ornamental design for a plunger drip tray, as shown and described.

**DESCRIPTION**

FIG. 1 is a top perspective view of a plunger drip tray; FIG. 2 is a bottom perspective view thereof; FIG. 3 is a top plan view thereof; FIG. 4 is a bottom plan view thereof; FIG. 5 is a left side elevation view thereof; FIG. 6 is a right side elevation view thereof; FIG. 7 is a rear elevation view thereof; FIG. 8 is a front elevation view thereof; and, FIG. 9 is a cross sectional view taken along lines 9-9 of the plunger drip tray in FIG. 3.

Those portions shown with cross-hatching lines in the sectioned side elevation view of FIG. 9 are to exemplify the sectioned profile and are for illustration purposes only, forming no part of the claimed design.

**1 Claim, 7 Drawing Sheets**



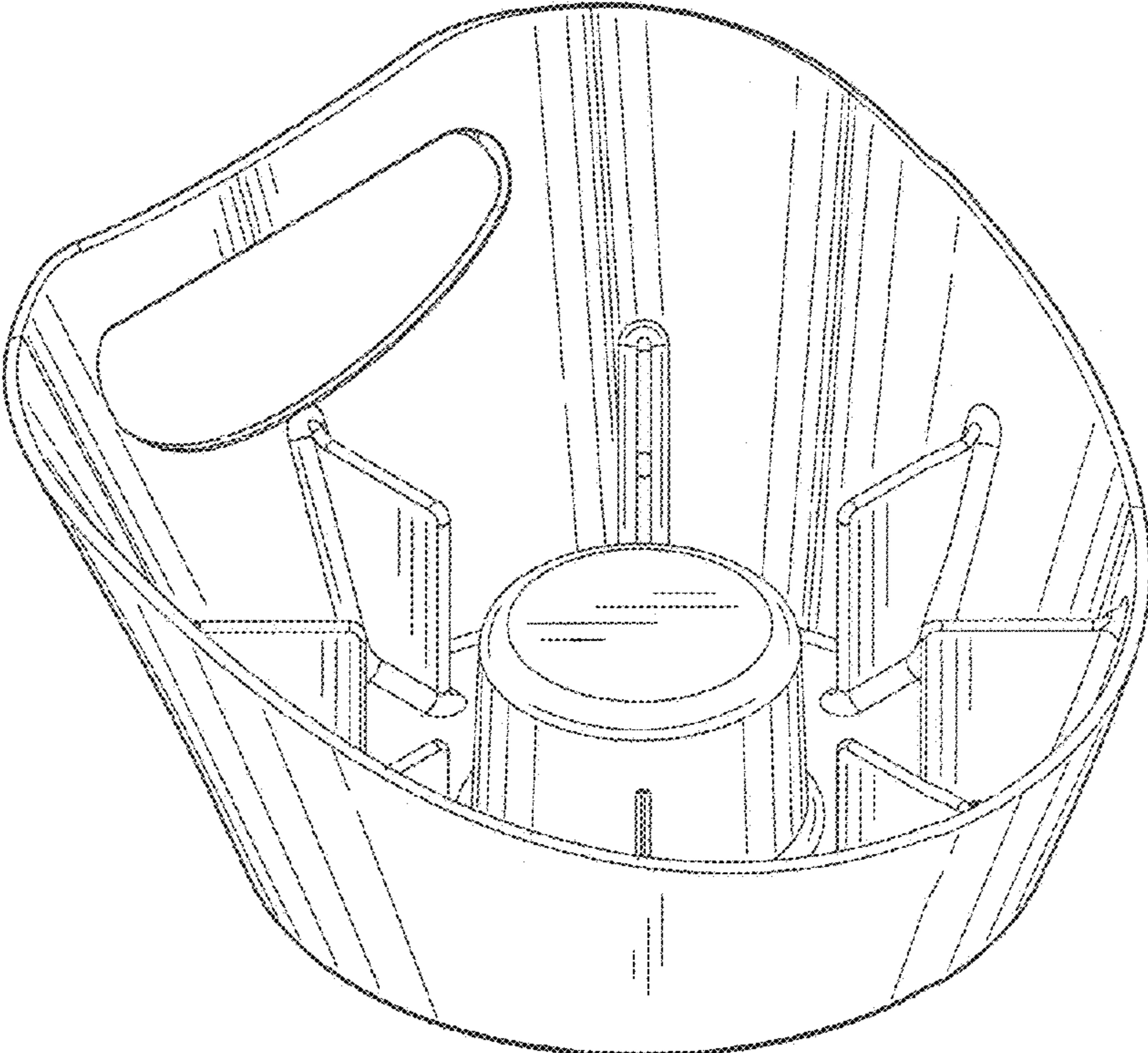


FIG. 1

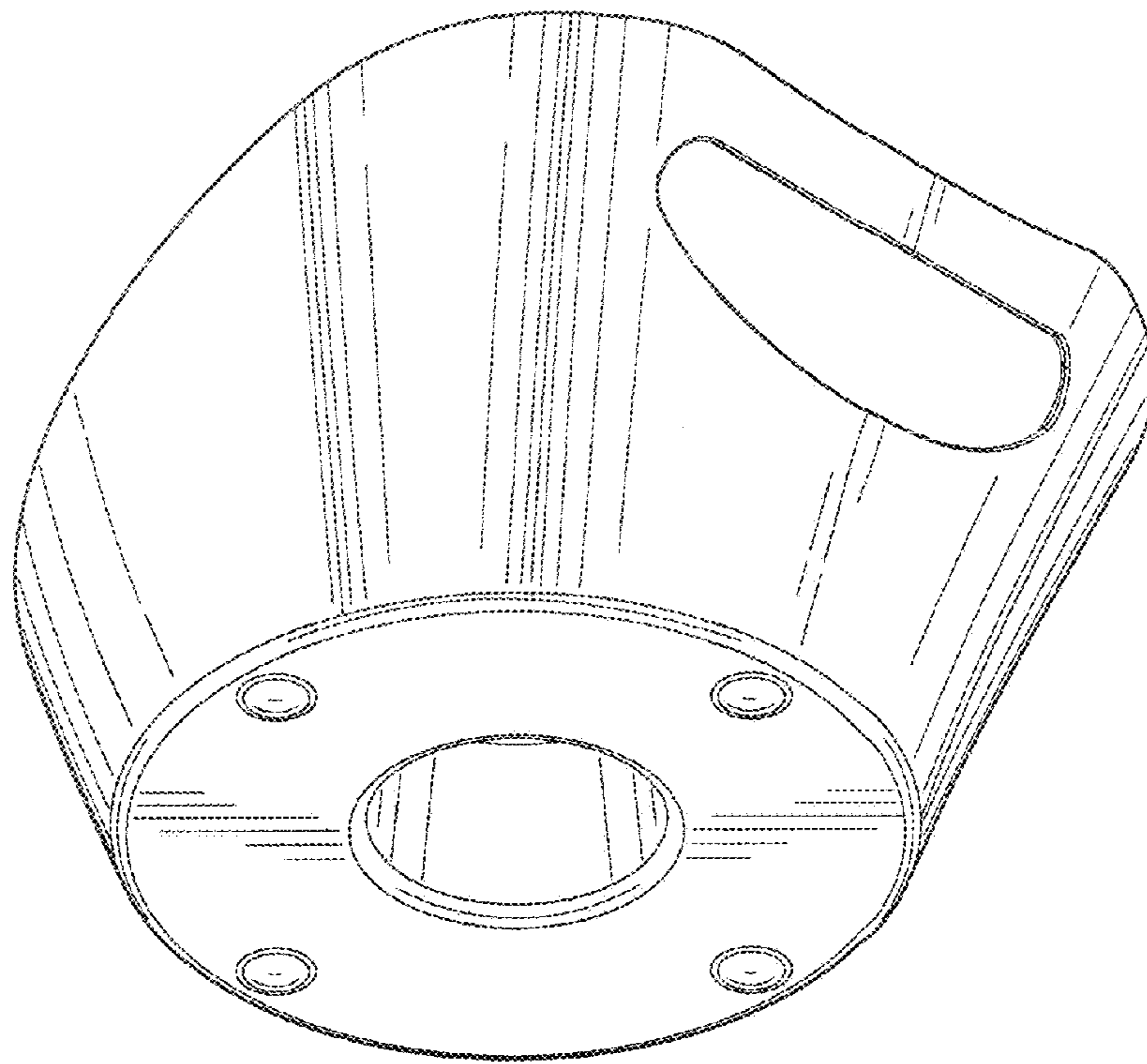


FIG. 2

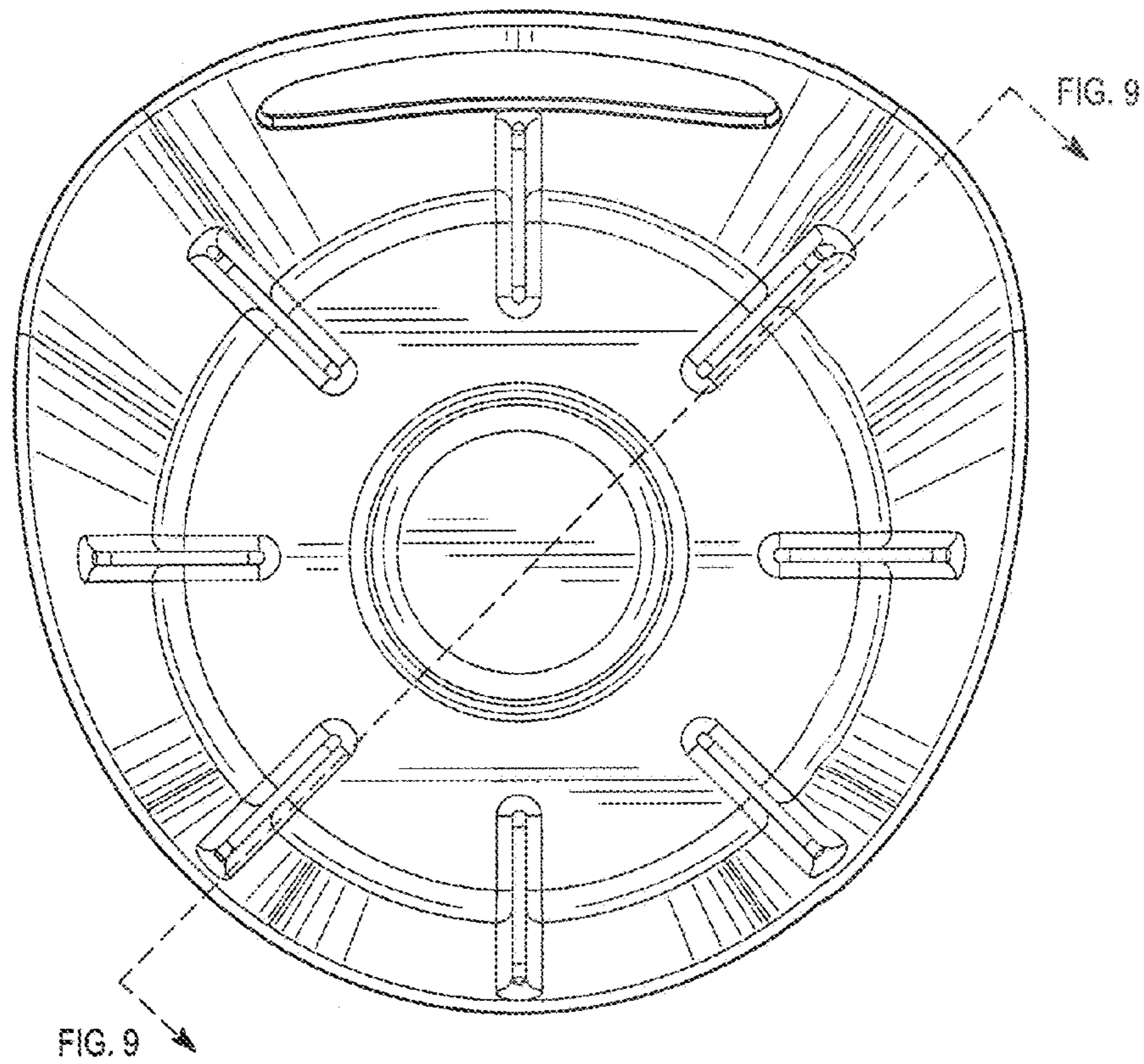


FIG. 3

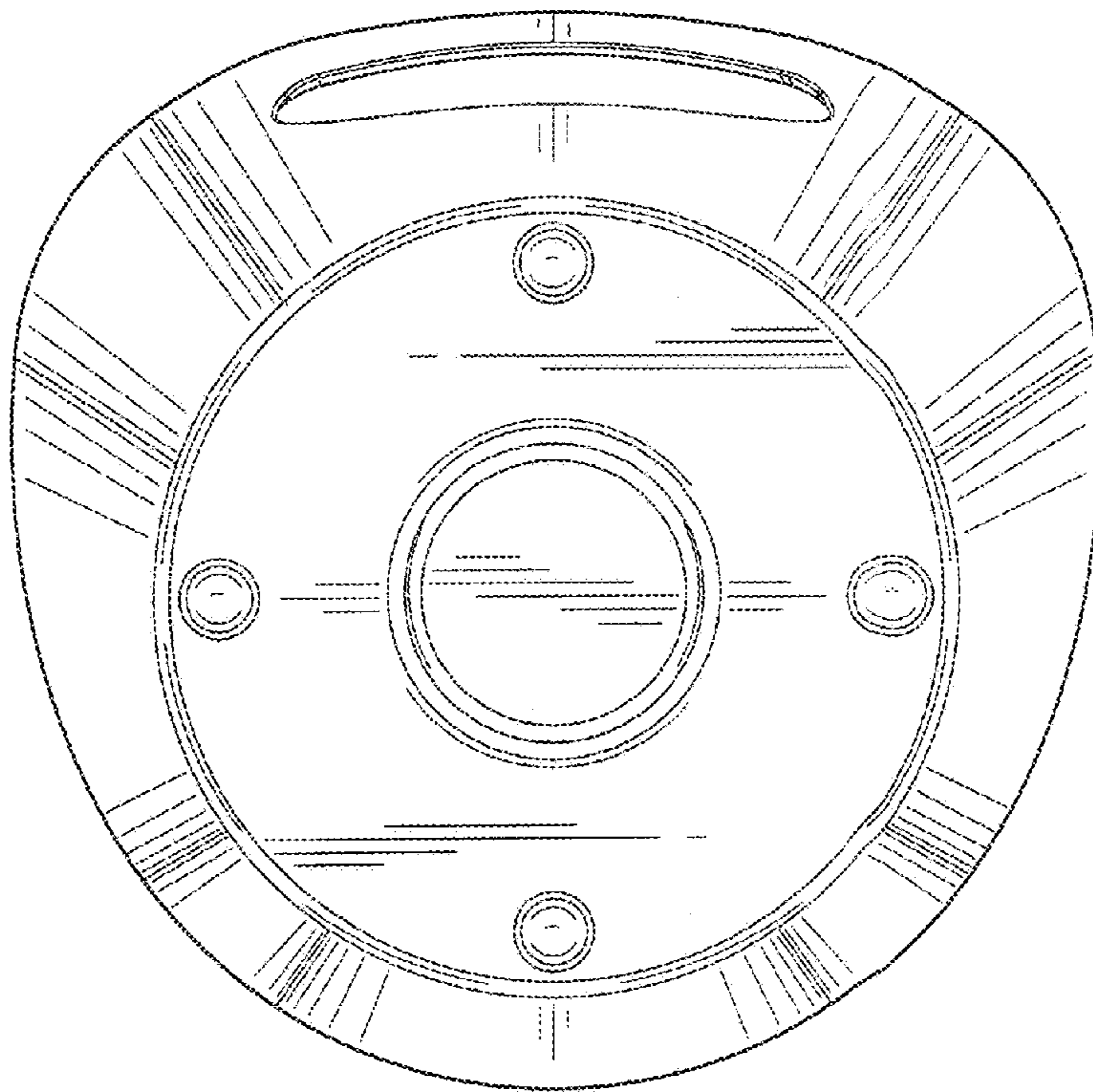


FIG. 4

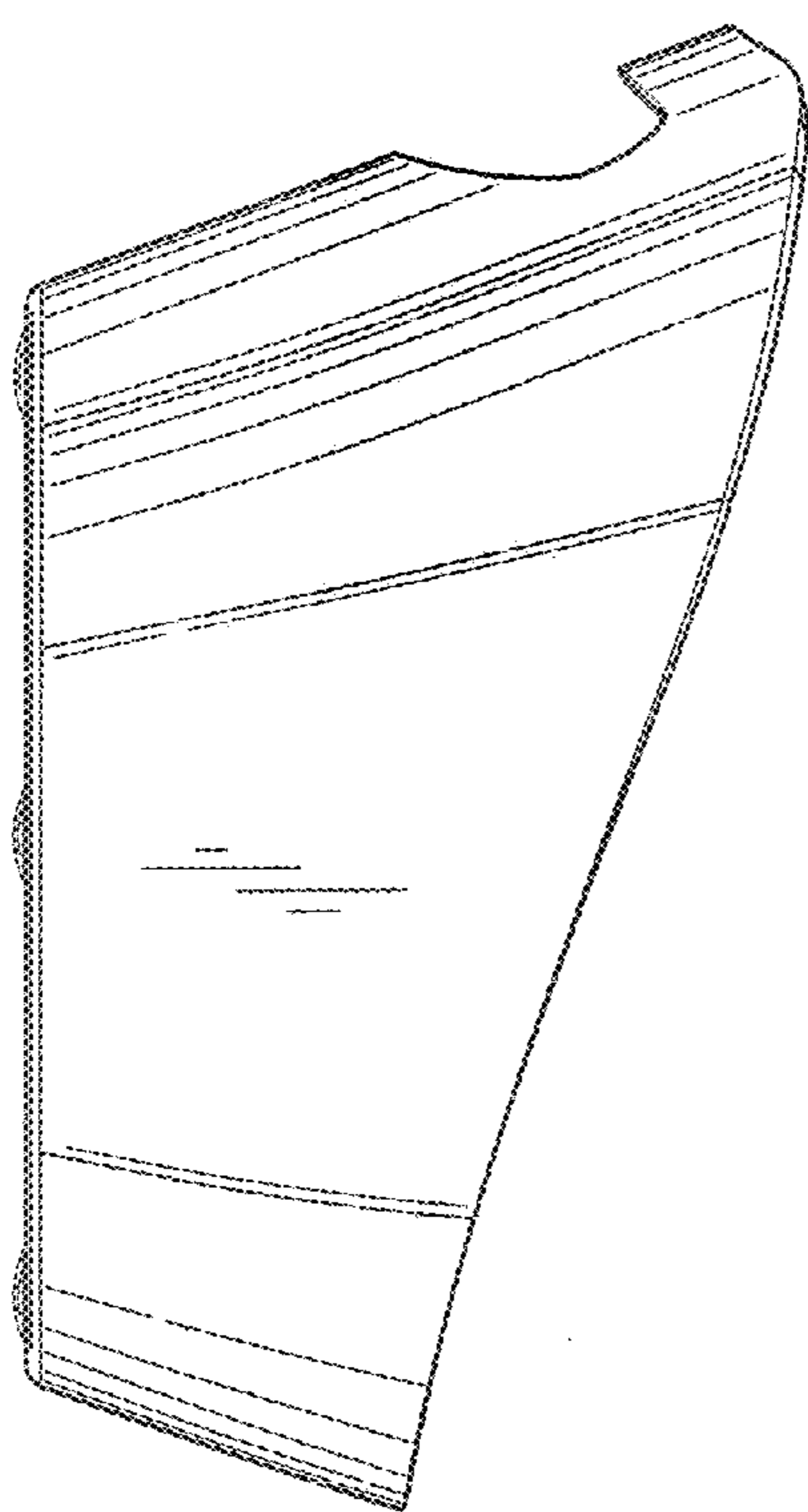


FIG. 5

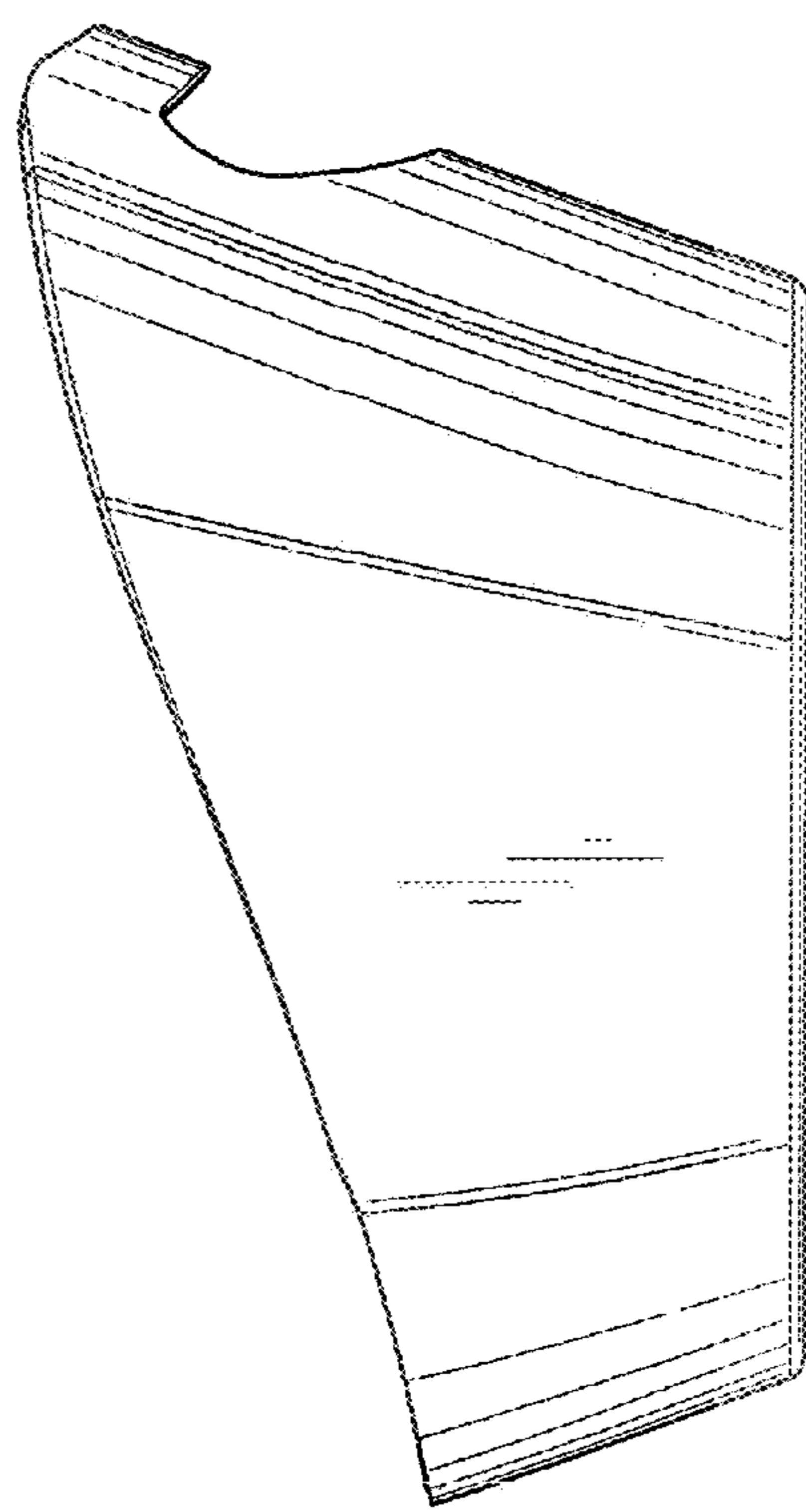


FIG. 6

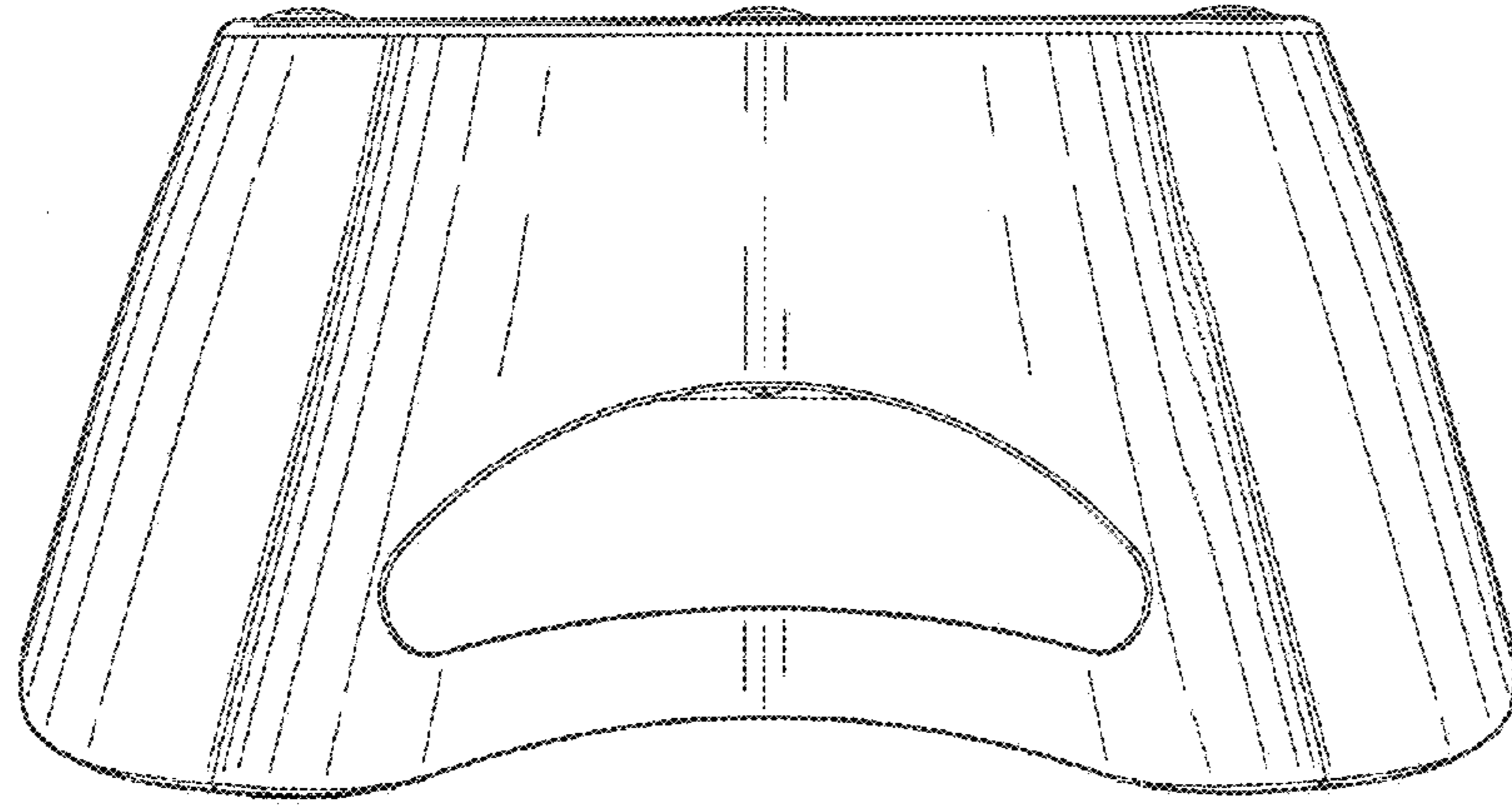


FIG. 7

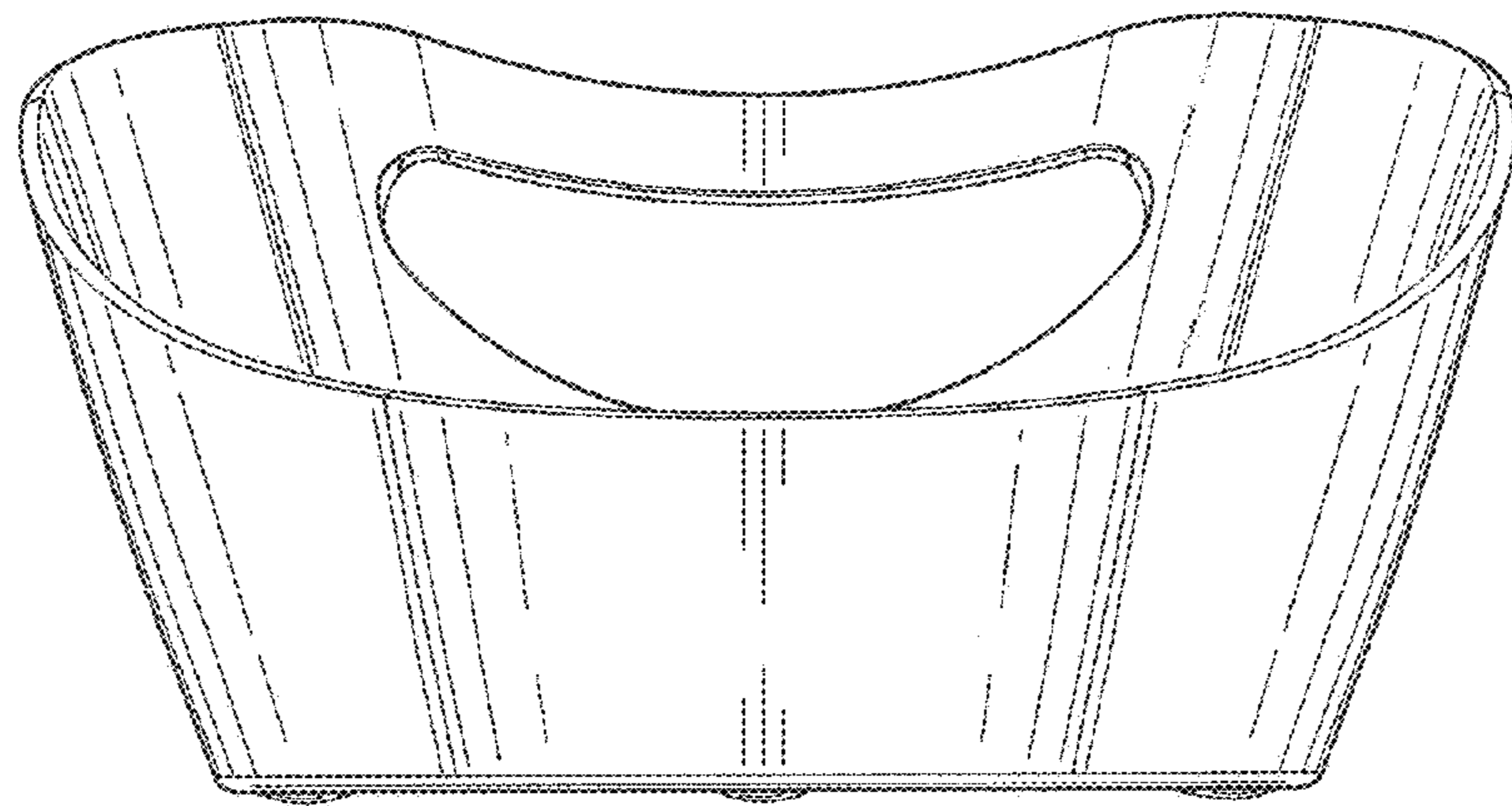


FIG. 8

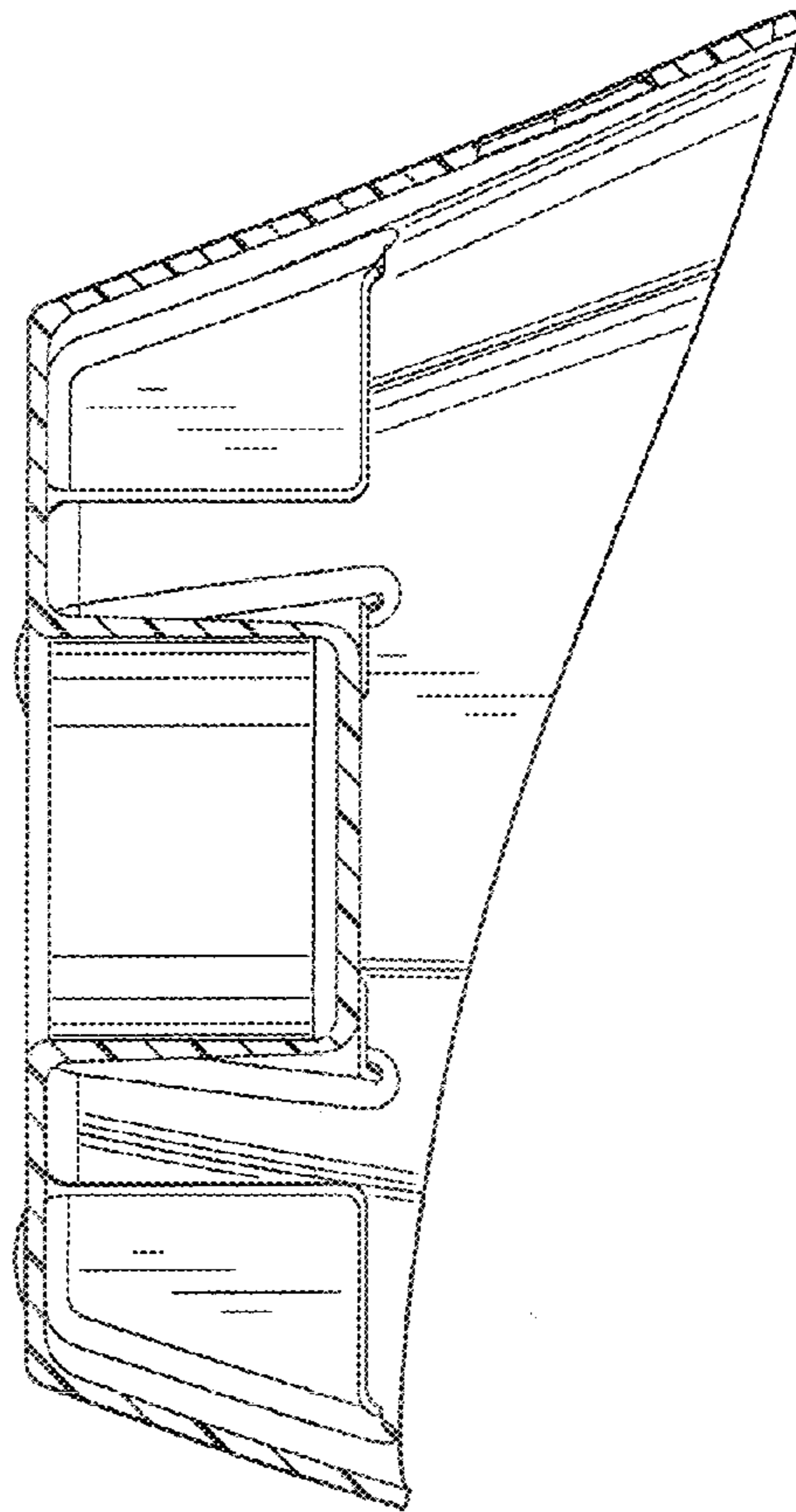


FIG. 9