



US00D771968S

(12) **United States Design Patent** (10) **Patent No.:** **US D771,968 S**  
**Bing et al.** (45) **Date of Patent:** **\*\* Nov. 22, 2016**

- (54) **DISPENSER** 5,228,632 A \* 7/1993 Addison ..... A47K 10/3827  
206/409
- (71) Applicant: **Cintas Corporation**, Cincinnati, OH (US) 5,246,137 A 9/1993 Schutz et al.  
5,263,607 A 11/1993 Temesvary et al.  
5,273,184 A 12/1993 Rizzuto  
D346,519 S 5/1994 Krueger et al.
- (72) Inventors: **Richard Bing**, West Chester, OH (US);  
**Kevin R. Knapp**, Green Bay, WI (US);  
**David Mesko**, Wyoming, OH (US);  
**Ryan Paul**, Green Bay, WI (US); **Alan J. Pierquet**, Green Bay, WI (US);  
**Sigurdur Witt**, Green Bay, WI (US) 5,310,083 A 5/1994 Rizzuto  
D347,535 S 6/1994 Krueger et al.  
5,335,811 A 8/1994 Morand  
5,370,338 A 12/1994 Lewis  
5,375,920 A 12/1994 Macchi Cassia  
5,630,526 A 5/1997 Moody  
D385,734 S \* 11/1997 Mervar ..... D6/522  
5,697,576 A 12/1997 Bloch et al.  
5,715,971 A 2/1998 Morand  
5,765,718 A 6/1998 Grasso et al.  
5,857,642 A 1/1999 Zinnbauer  
D406,974 S \* 3/1999 King ..... D6/518  
5,924,617 A 7/1999 LaCount et al.  
5,979,821 A 11/1999 LaCount et al.  
D418,705 S \* 1/2000 Wakam ..... D6/523  
6,024,323 A 2/2000 Palermo, Jr.  
6,032,898 A 3/2000 LaCount et al.  
6,129,240 A 10/2000 Morand  
6,145,782 A 11/2000 King et al.
- (73) Assignee: **Cintas Corporation**, Cincinnati, OH (US)
- (\*\*) Term: **14 Years**
- (21) Appl. No.: **29/515,218**
- (22) Filed: **Jan. 21, 2015**
- (51) **LOC (10) Cl.** ..... **20-02**
- (52) **U.S. Cl.**  
USPC ..... **D6/518**
- (58) **Field of Classification Search**  
USPC ..... D6/515, 518-523; D3/201; 206/389,  
206/391, 407, 409; 312/34.1, 34.8;  
211/85.5, 59.2; 221/92, 97, 185, 282,  
221/284; 242/159, 160.2, 550, 560, 590,  
242/594, 59, 588, 598, 598.3, 598.65  
CPC ..... A47K 10/421; A47K 10/424; A47K  
2010/3266; B65D 83/0805  
See application file for complete search history.

- (56) **References Cited**  
U.S. PATENT DOCUMENTS
- |             |        |              |
|-------------|--------|--------------|
| 4,664,304 A | 5/1987 | Wendt et al. |
| 4,800,588 A | 1/1989 | Poster, Jr.  |
| 4,905,868 A | 3/1990 | Beane et al. |
| 5,141,171 A | 8/1992 | Yang         |
| 5,178,322 A | 1/1993 | Shillington  |
| 5,205,455 A | 4/1993 | Moody        |

(Continued)

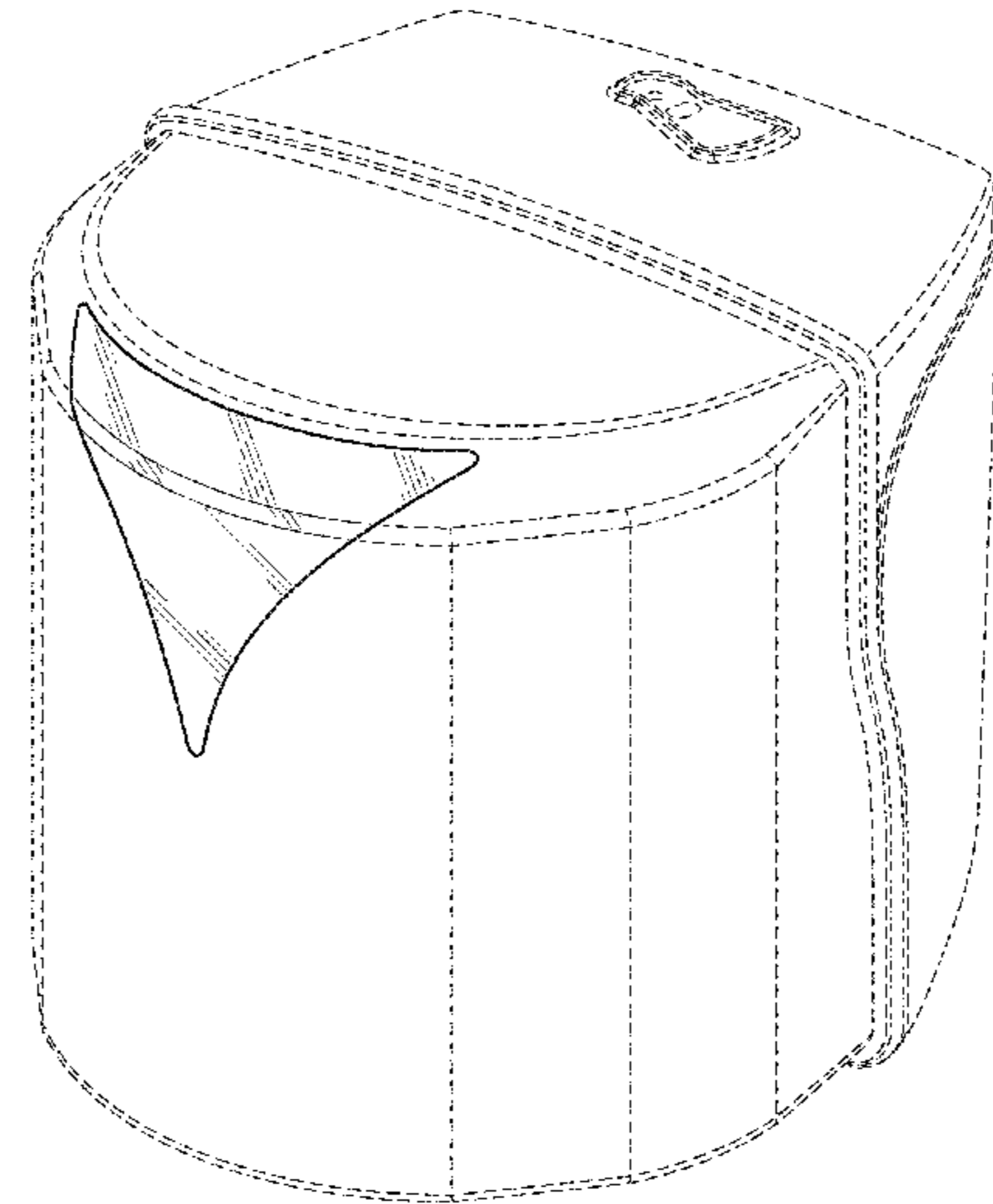
*Primary Examiner* — David Muller  
*Assistant Examiner* — Nathan Johnston  
(74) *Attorney, Agent, or Firm* — Wood Herron & Evans LLP

(57) **CLAIM**  
The ornamental design for a dispenser, as shown and described.

**DESCRIPTION**

FIG. 1 is a perspective view of a dispenser showing our new design;  
FIG. 2 is a front elevation view thereof;  
FIG. 3 is a right side elevation view thereof with the left side elevation view being a mirror image thereof; and,  
FIG. 4 is a top plan view thereof.  
The features shown in broken lines depict environmental subject matter only and form no part of the claimed design.

**1 Claim, 4 Drawing Sheets**



(56)

References Cited

U.S. PATENT DOCUMENTS

D441,230 S *	5/2001	Andersson .....	D6/518	6,769,589 B2	8/2004	Paukov	
6,250,530 B1	6/2001	LaCount et al.		6,869,041 B1	3/2005	Allegre et al.	
6,267,321 B1	7/2001	Tramontina		7,040,568 B2	5/2006	Lewis et al.	
D449,474 S	10/2001	Conran et al.		D522,785 S *	6/2006	Brady .....	D6/518
6,328,252 B1	12/2001	Neveu et al.		7,131,609 B1	11/2006	Lewis et al.	
6,364,245 B1	4/2002	Paal et al.		7,275,655 B2	10/2007	Duff	
6,390,410 B1	5/2002	LaCount et al.		7,275,672 B2	10/2007	Haen et al.	
6,405,972 B1 *	6/2002	Wakam .....	A47K 10/3836 242/597.7	7,320,418 B2 *	1/2008	Sassoon .....	A61L 2/18 222/1
6,446,901 B1	9/2002	Haen et al.		D564,269 S *	3/2008	Paal .....	D6/518
6,460,798 B1	10/2002	Haen et al.		7,594,622 B2	9/2009	Witt et al.	
6,510,964 B2	1/2003	Paukov et al.		D623,453 S *	9/2010	Benedetti .....	D6/518
6,517,025 B1	2/2003	Budz		7,997,443 B2	8/2011	Titas et al.	
6,575,397 B1	6/2003	Tramontina et al.		7,997,522 B2	8/2011	Titas et al.	
6,592,001 B2	7/2003	Lewis et al.		8,807,475 B2	8/2014	Rodrian et al.	
6,629,667 B2	10/2003	Tramontina		D726,443 S *	4/2015	Giovannoni .....	D6/545
6,659,667 B2	12/2003	McCue, Jr. et al.		2003/0145429 A1	8/2003	Twomey	
D488,655 S *	4/2004	Tramontina .....	D6/518	2006/0261076 A1	11/2006	Anderson	
				2012/0104016 A1 *	5/2012	Benedetti .....	A47K 10/38 221/92

\* cited by examiner

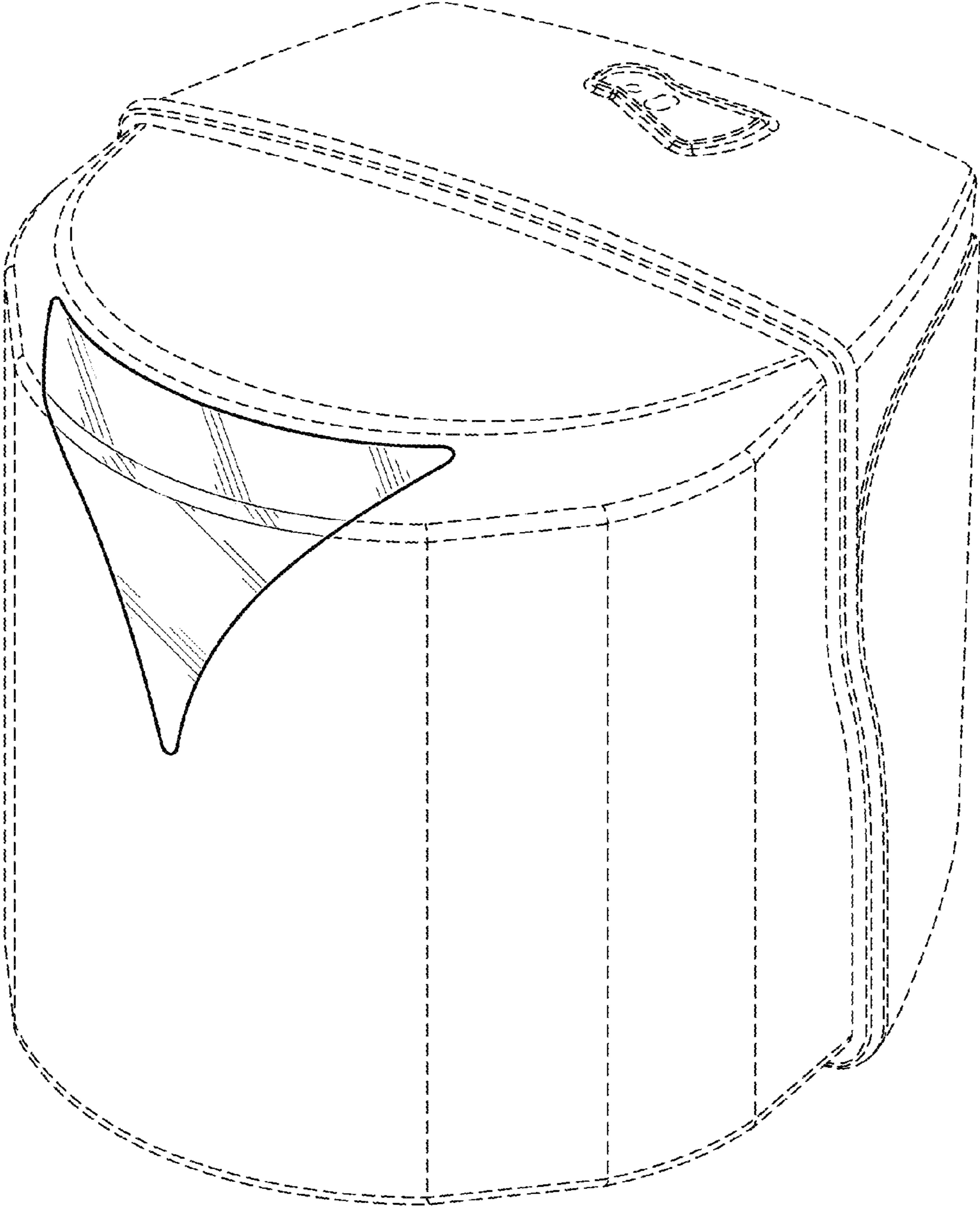


FIG. 1

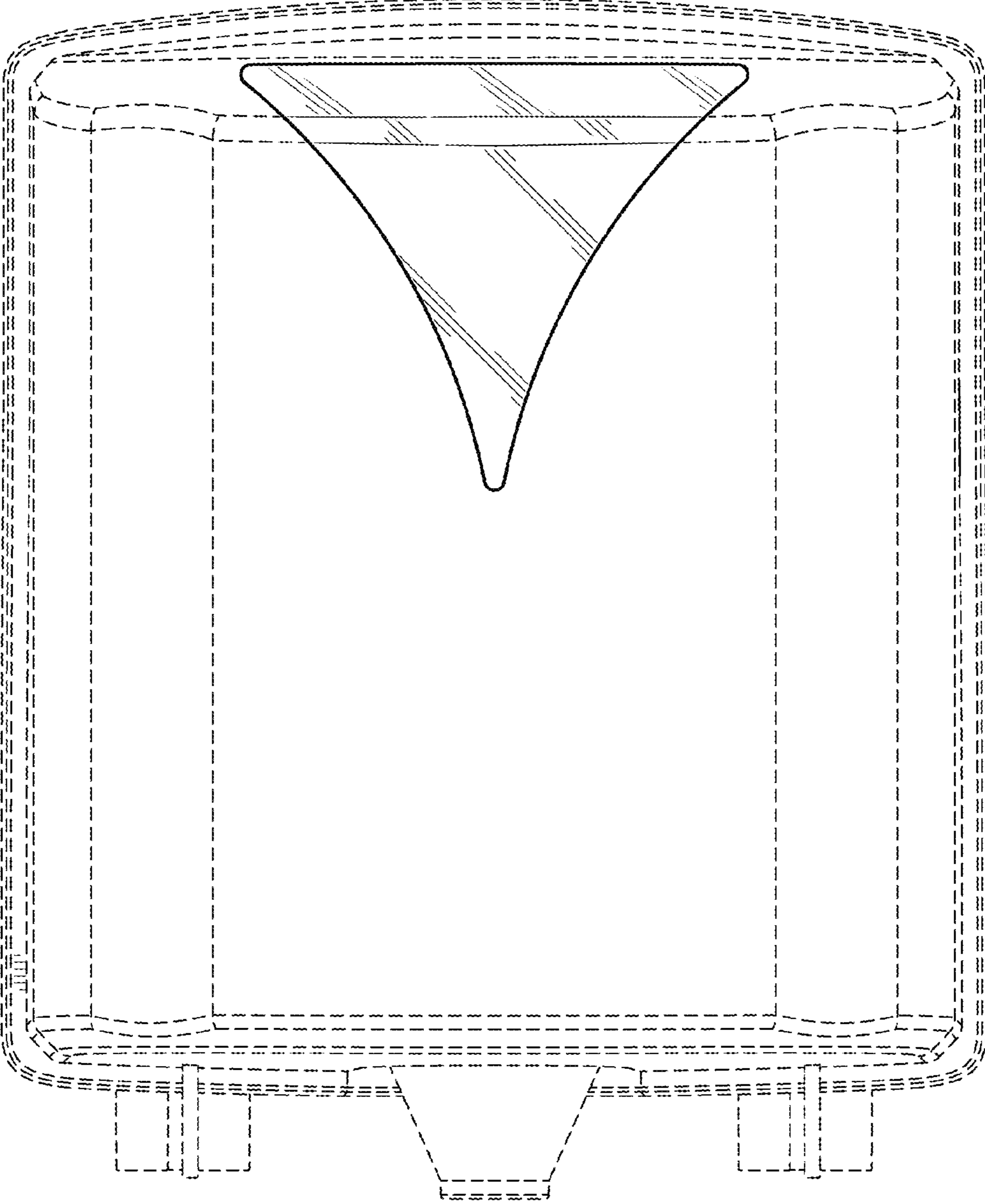


FIG. 2

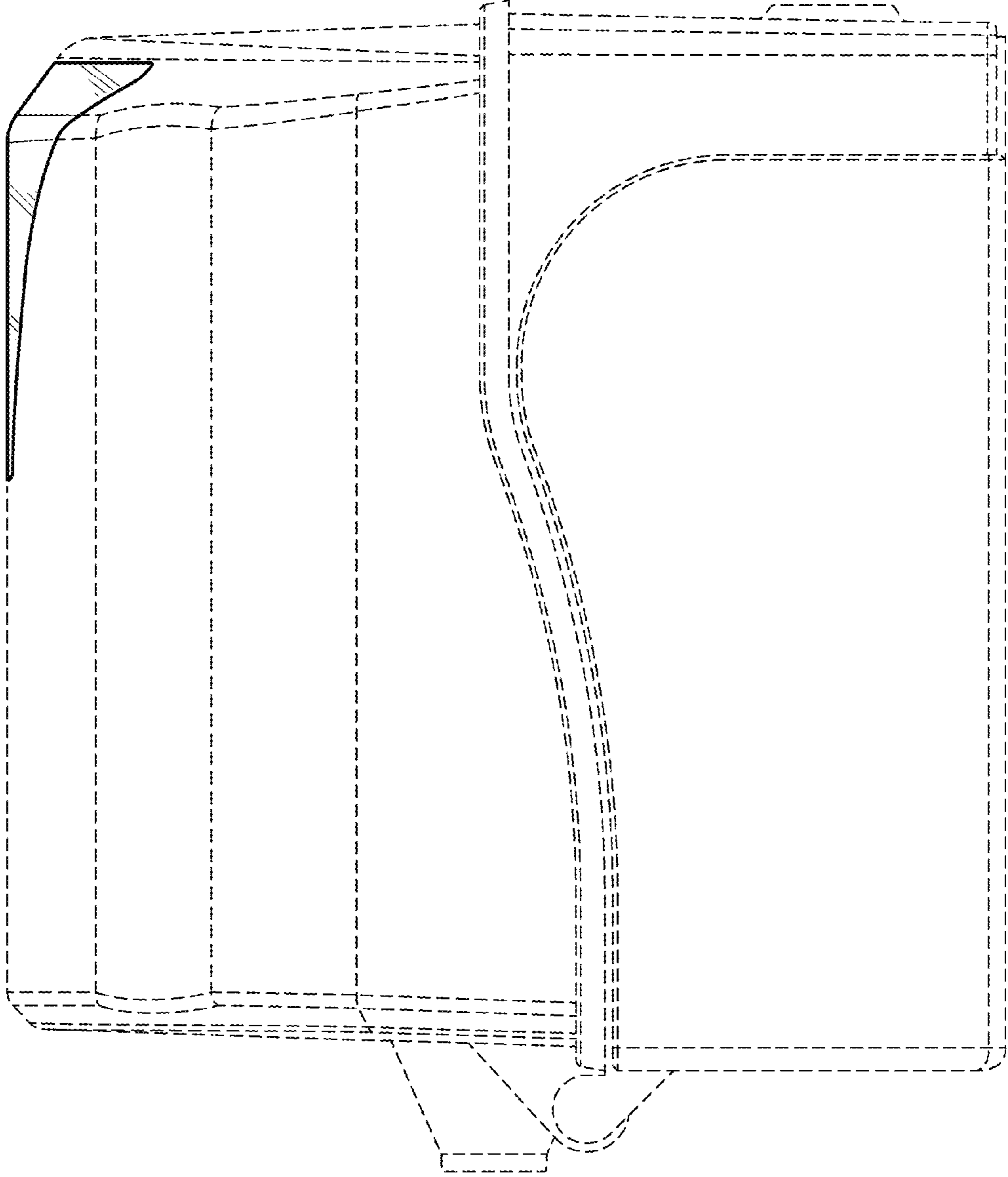


FIG. 3

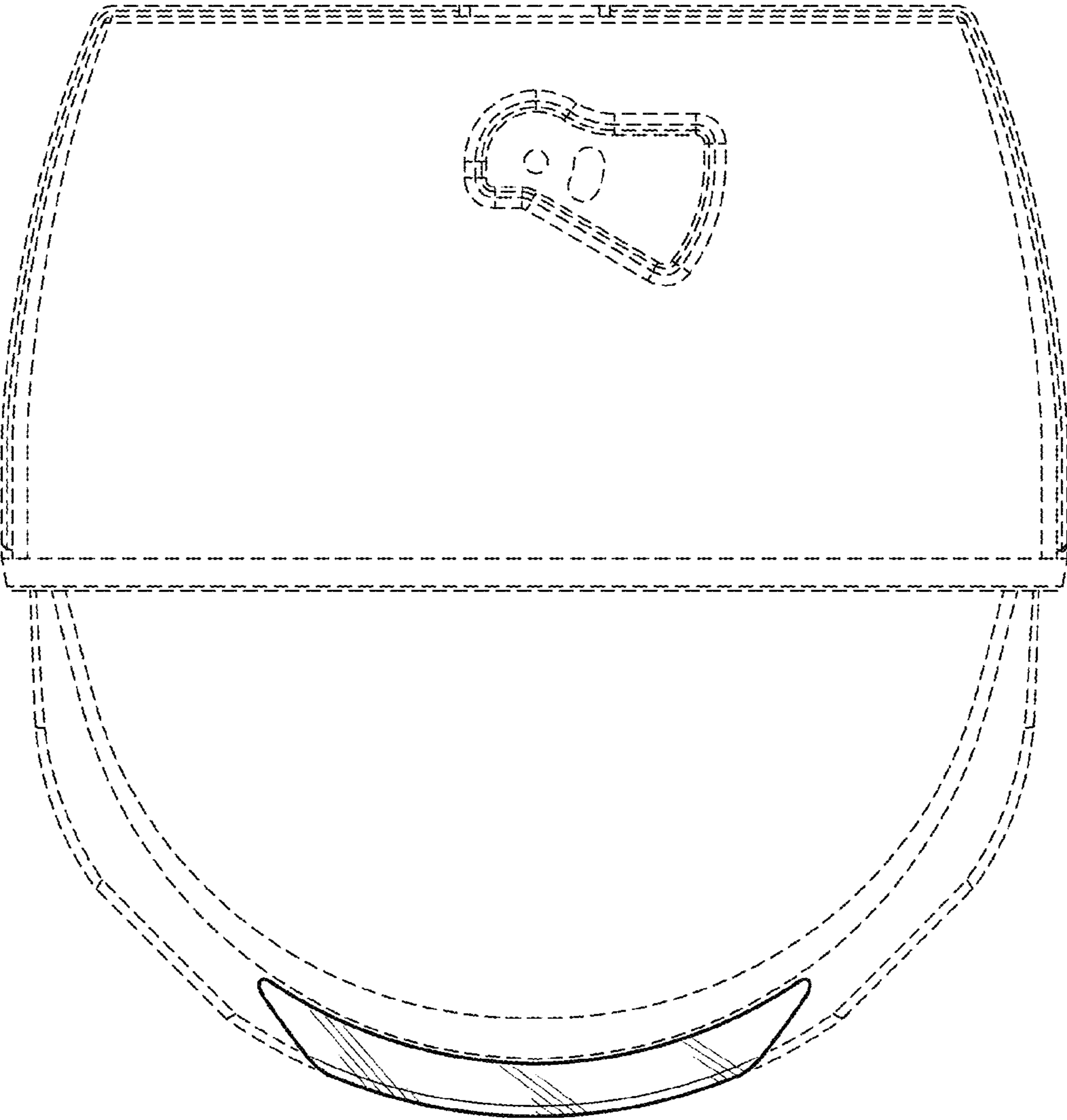


FIG. 4