



US00D771967S

(12) **United States Design Patent** (10) **Patent No.:** **US D771,967 S**
Watson (45) **Date of Patent:** **** Nov. 22, 2016**

(54) **LOTTERY TICKET DISPENSER WITH AUXILIARY COMPARTMENT**

D396,368 S * 7/1998 Smakman D6/515
D448,956 S * 10/2001 Roberts D6/515
D500,616 S * 1/2005 Wagoner D6/515
2014/0263373 A1 * 9/2014 Watson B65D 21/0209
220/625

(71) Applicant: **Bruce Watson**, Atlantic, IA (US)

(72) Inventor: **Bruce Watson**, Atlantic, IA (US)

(73) Assignee: **Owner Revolution Inc.**, Adair, IA (US)

(**) Term: **14 Years**

(21) Appl. No.: **29/524,007**

(22) Filed: **Apr. 15, 2015**

(51) **LOC (10) Cl.** **20-02**

(52) **U.S. Cl.**
USPC **D6/515**

(58) **Field of Classification Search**
USPC D6/515, 517; D19/65; D20/1-4, 5-9;
206/425, 831; 221/26, 29, 92, 115,
221/208; 211/255, 282, 284, 285, 296, 303,
211/305; 222/105, 129, 135, 173
CPC A63F 3/06; B65D 83/12; B65D 1/22;
B65D 25/06; B65D 83/08; B65D 83/04
See application file for complete search history.

(56) **References Cited**

U.S. PATENT DOCUMENTS

D359,641 S * 6/1995 Kwan D6/515
D395,970 S * 7/1998 Curry D6/517

* cited by examiner

Primary Examiner — Wan Laymon

Assistant Examiner — Mark Booker

(74) *Attorney, Agent, or Firm* — G. Brian Pingel; David M. Breiner; Camille L. Urban

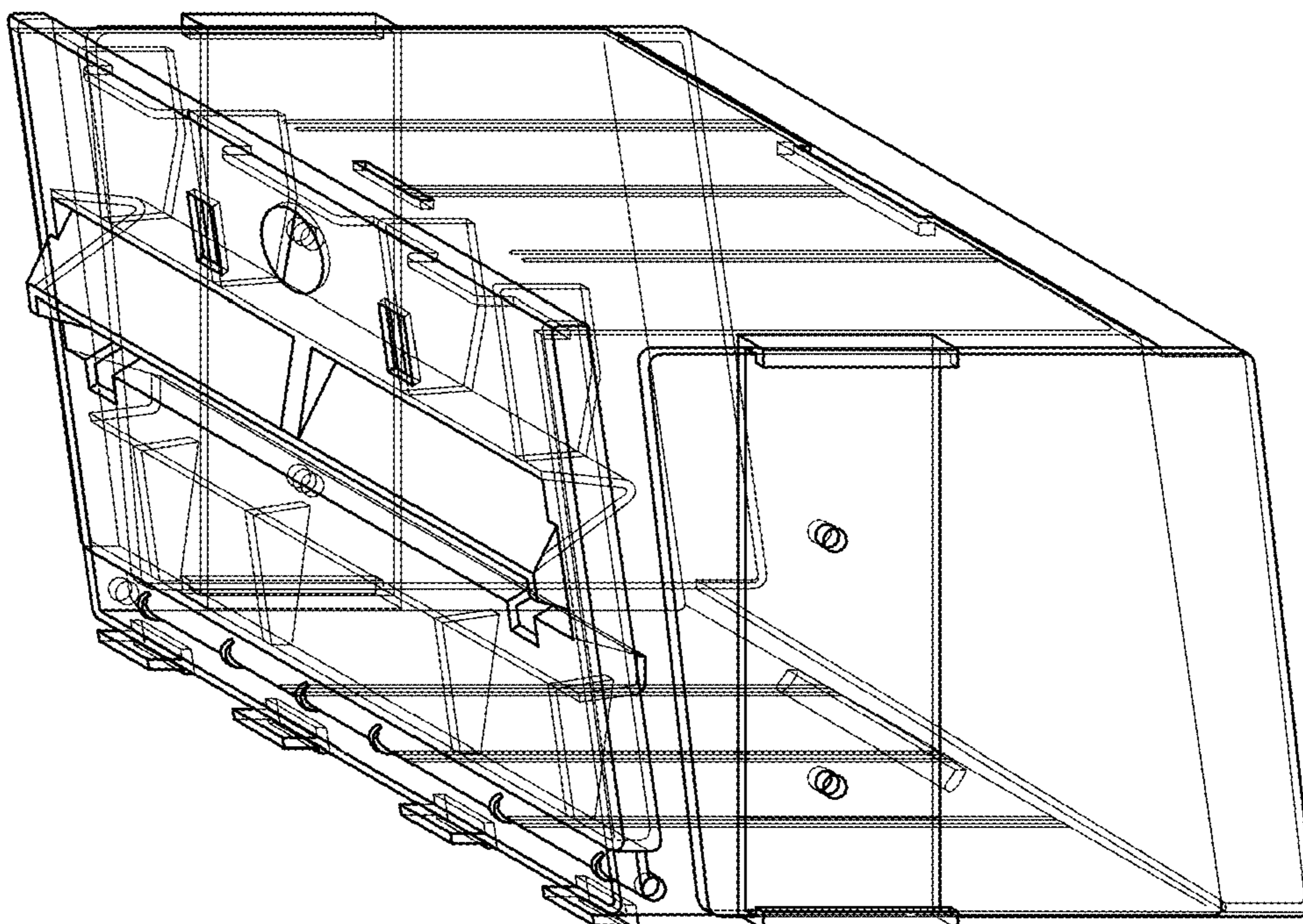
(57) **CLAIM**

The ornamental design for a lottery ticket dispenser with auxiliary compartment, as shown and described.

DESCRIPTION

FIG. 1 is a front-side perspective view of a lottery ticket dispenser with auxiliary compartment showing my new design;
FIG. 2 is an exploded front-side perspective view of the present invention;
FIG. 3 is a front elevational view thereof;
FIG. 4 is a side elevational view of one side thereof, the opposite side being a mirror image of the side shown;
FIG. 5 is a top plan view thereof;
FIG. 6 is a bottom view thereof; and,
FIG. 7 is a rear elevational view thereof.

1 Claim, 5 Drawing Sheets



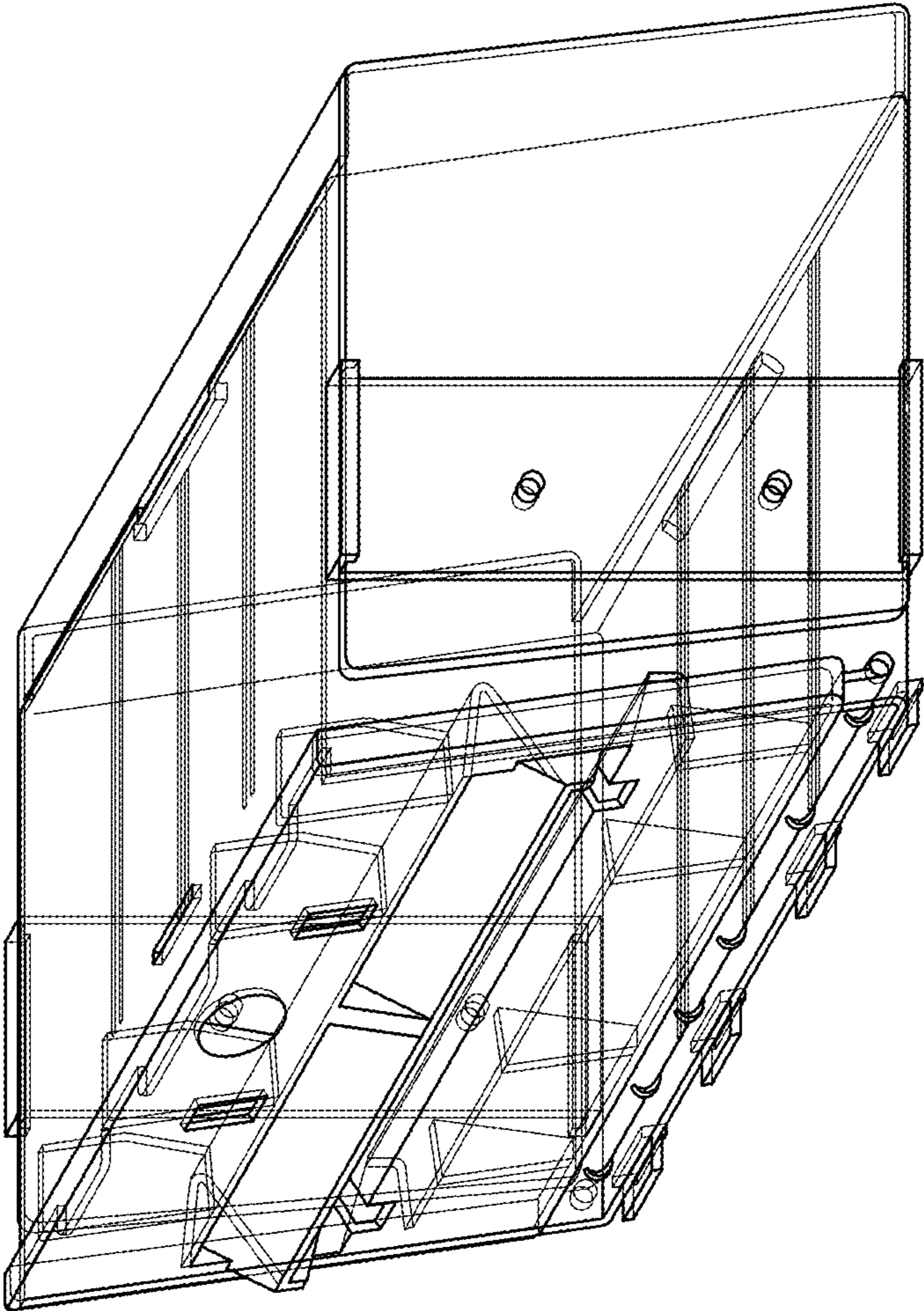


Fig. 1

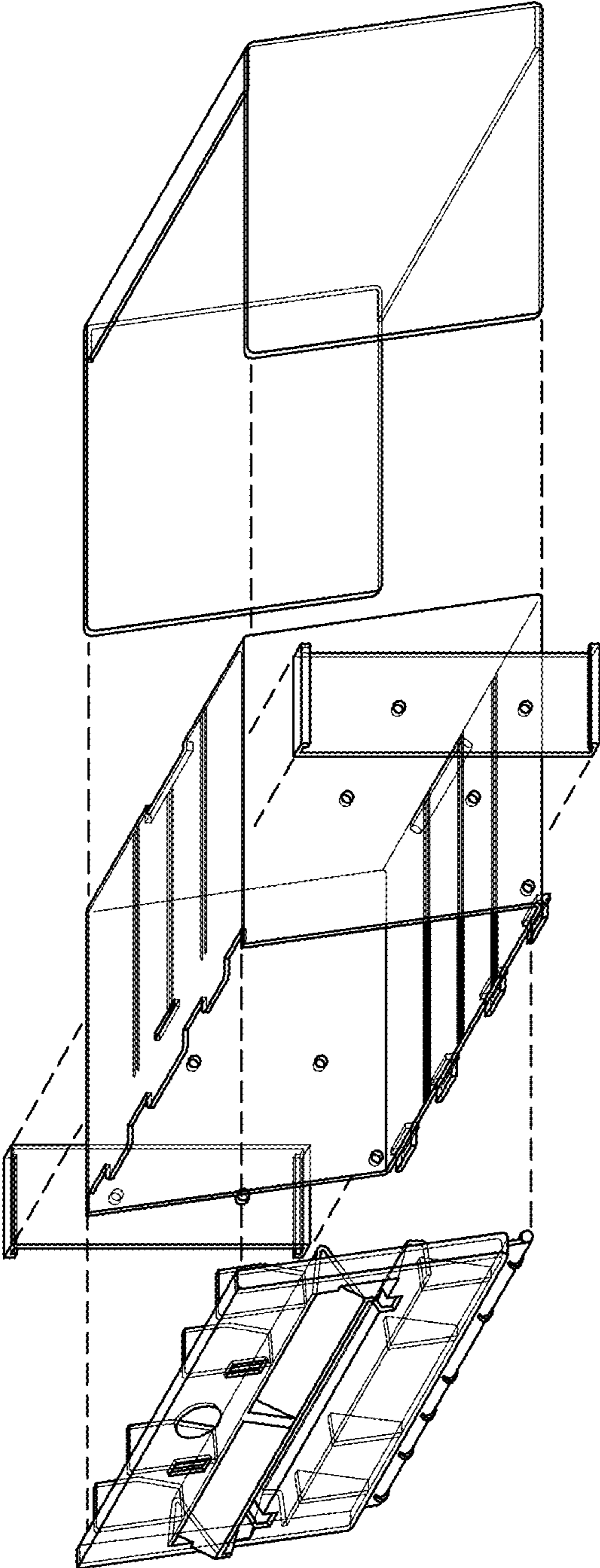


Fig. 2

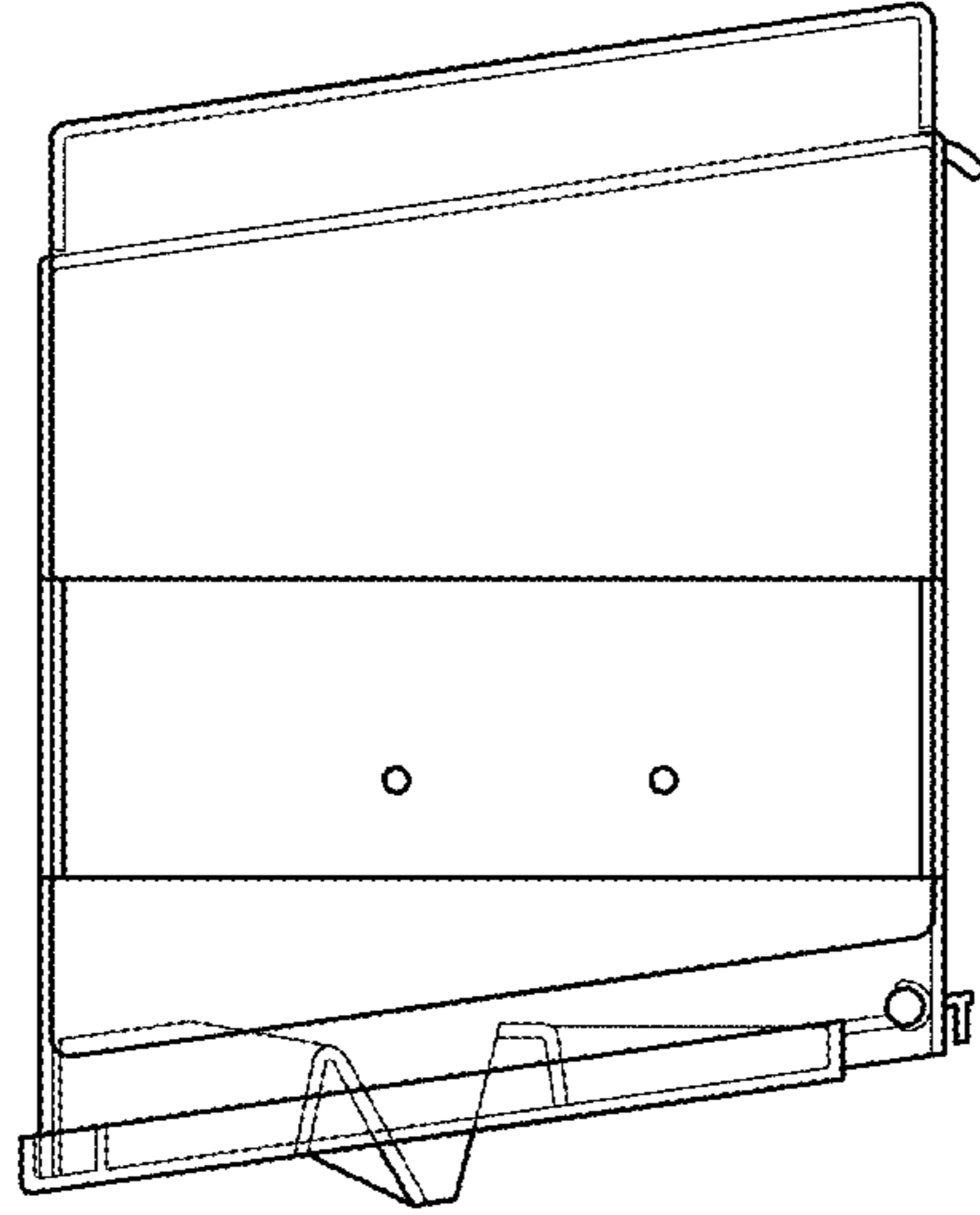


Fig. 4

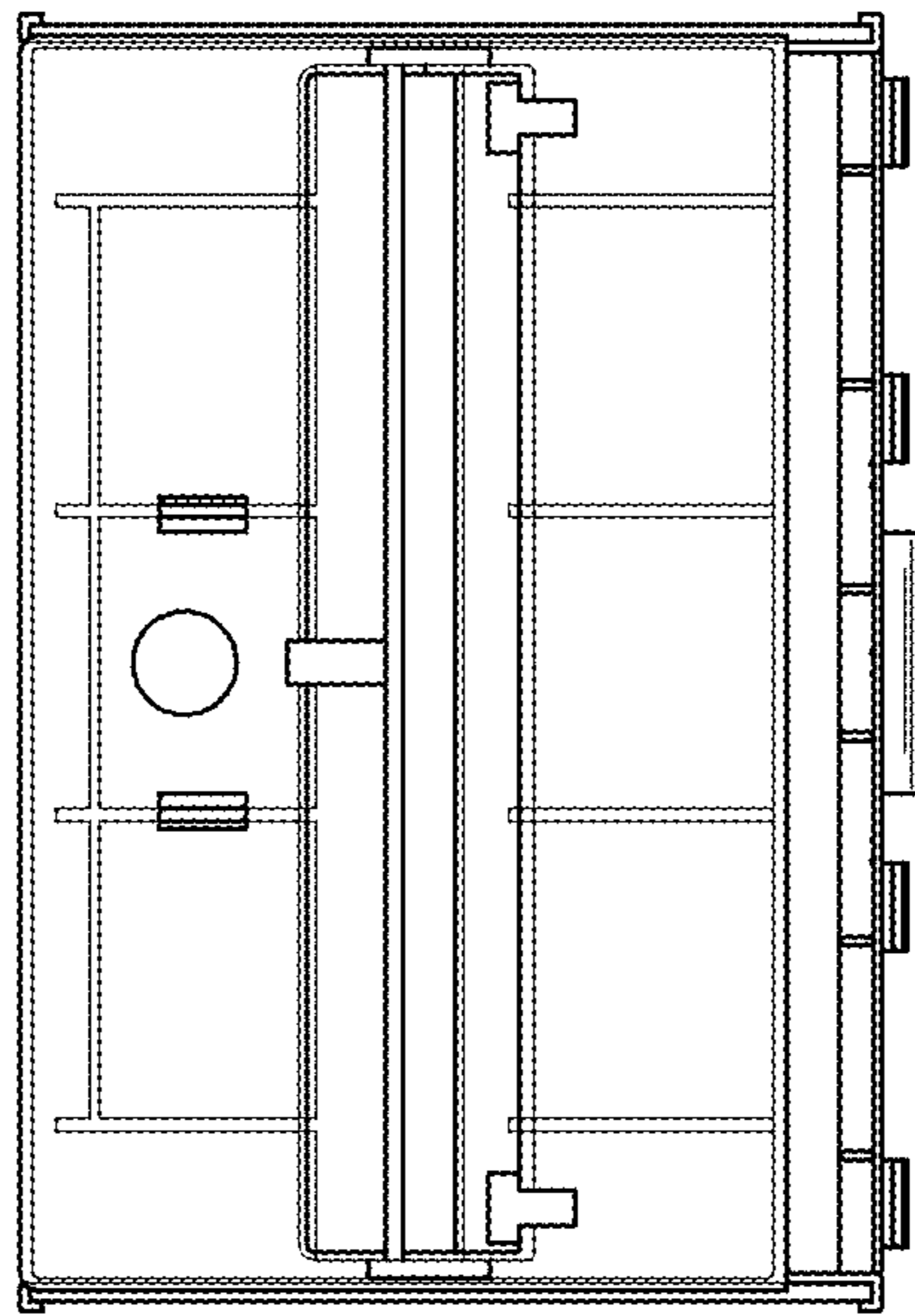


Fig. 3

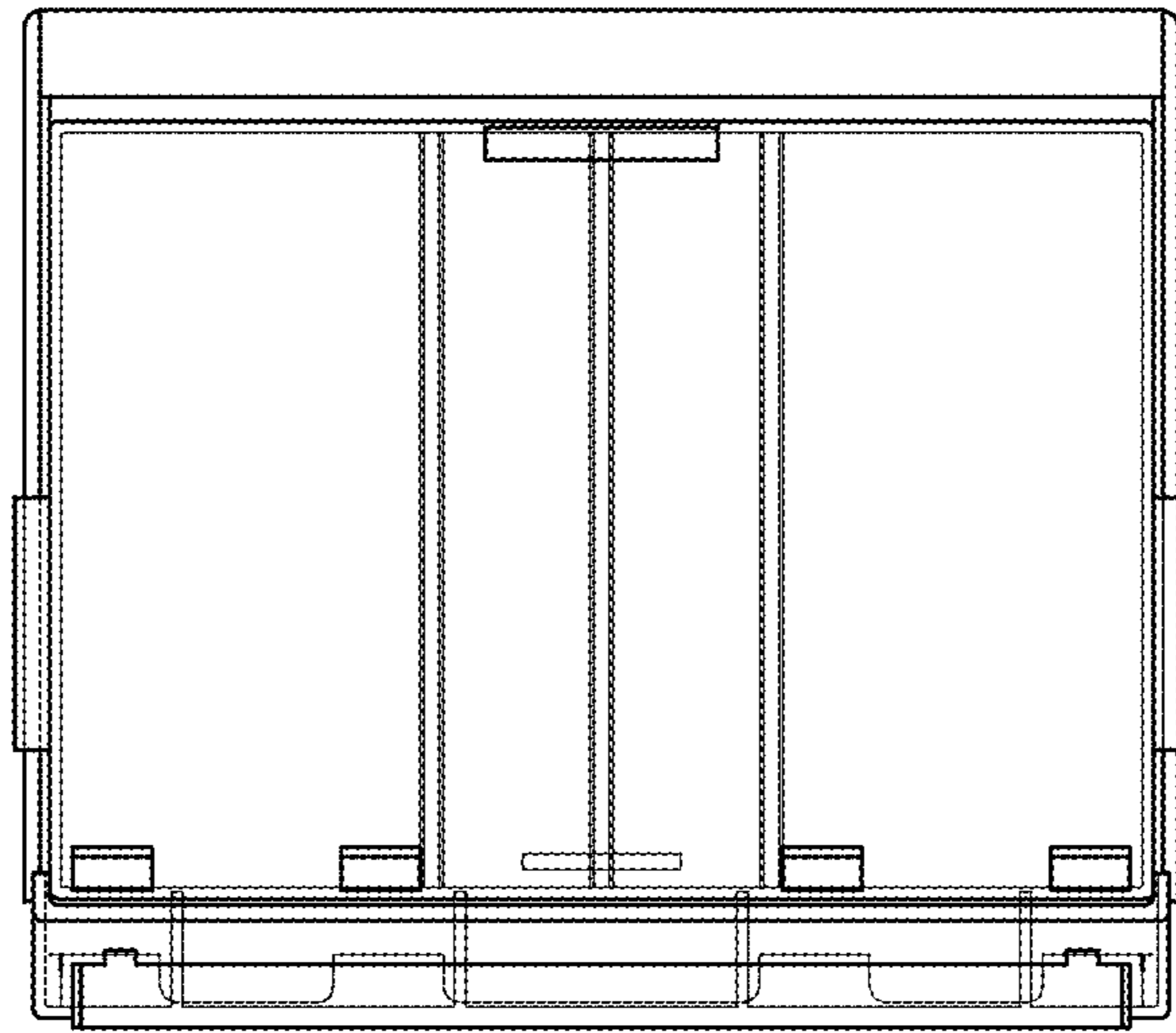


Fig. 6

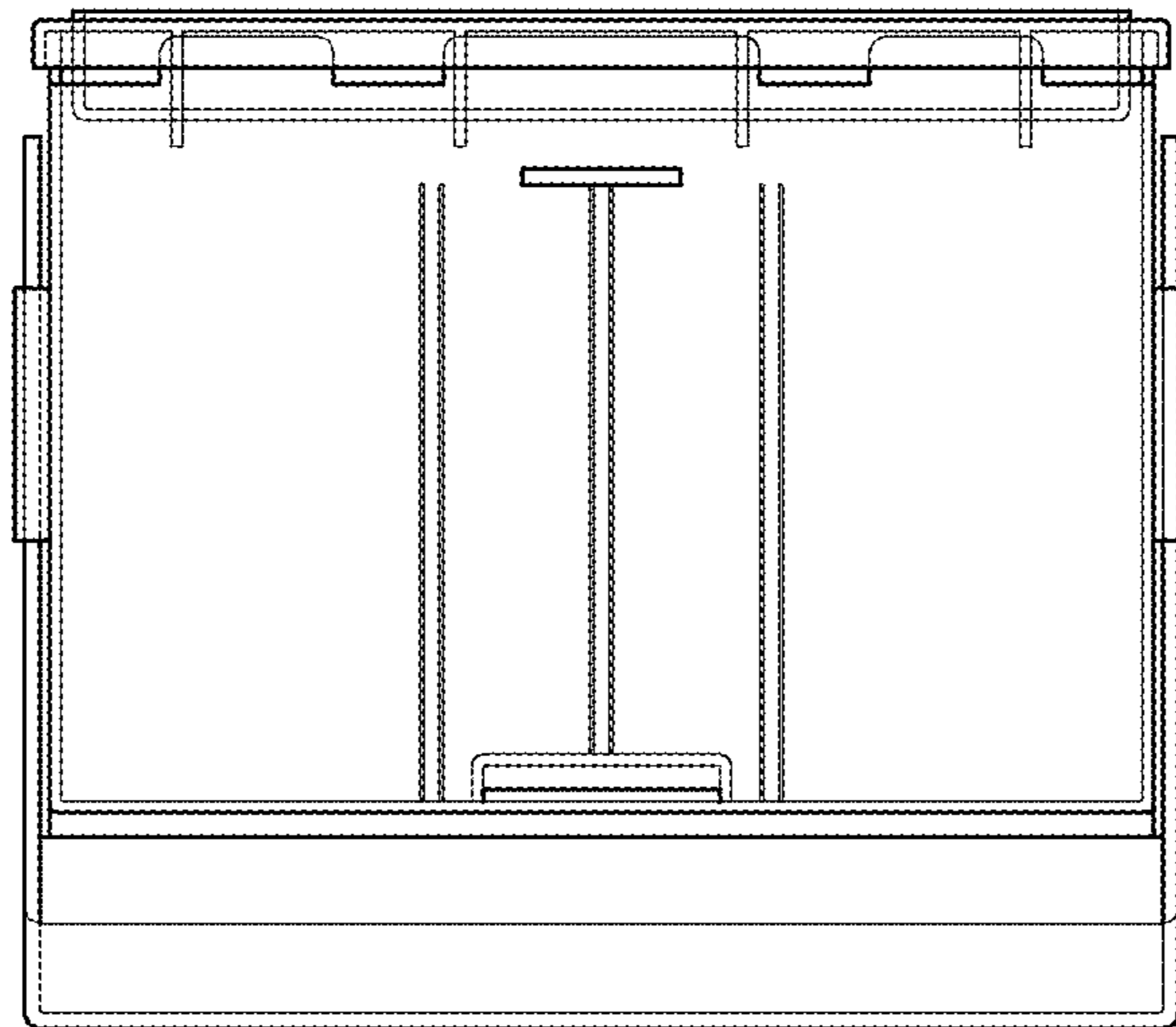


Fig. 5

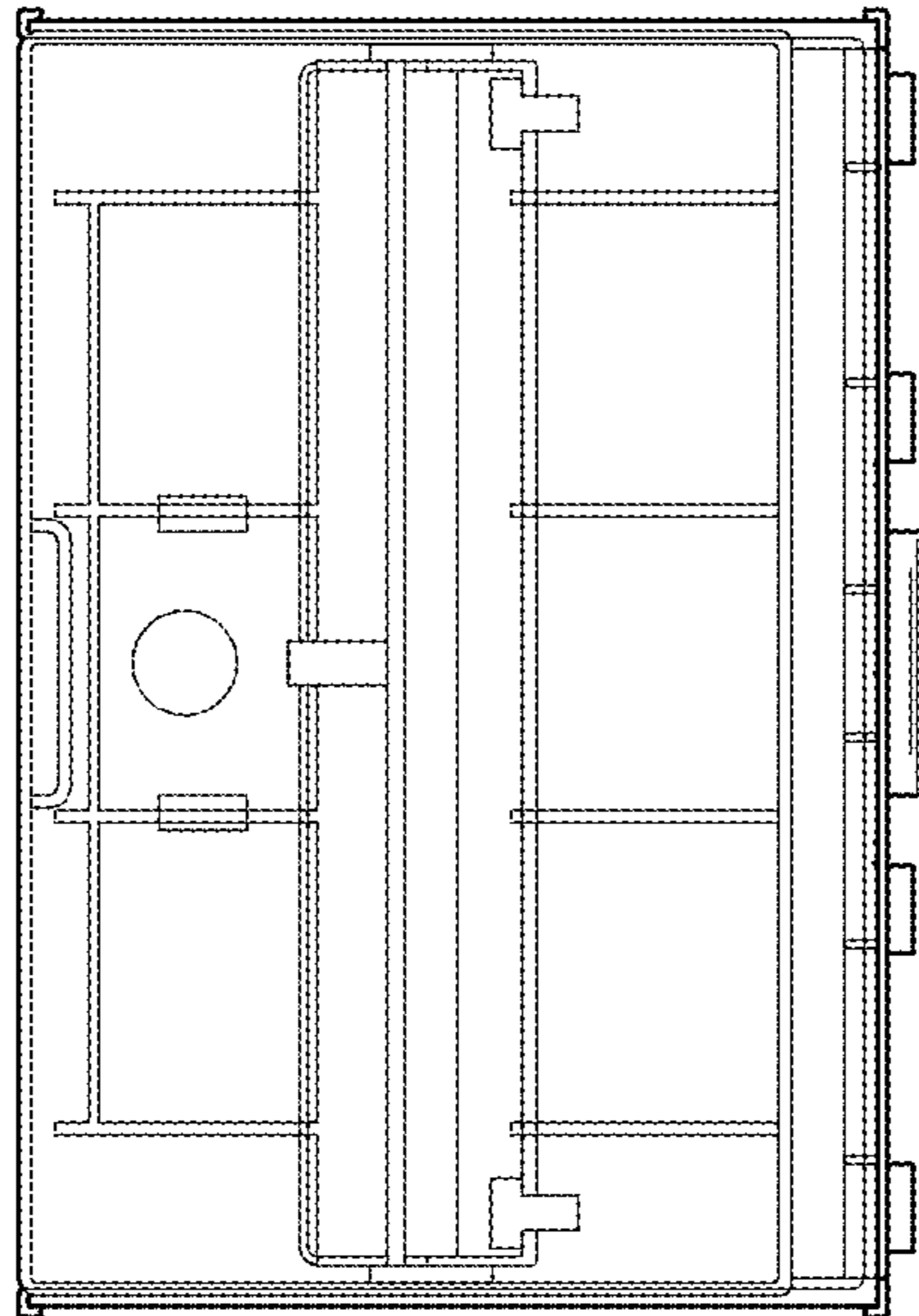


Fig. 7