



US00D771965S

(12) **United States Design Patent**
Carpenter

(10) **Patent No.:** **US D771,965 S**

(45) **Date of Patent:** **** Nov. 22, 2016**

(54) **RECLINER**

(71) Applicant: **Trayton America, Inc.**, High Point, NC
(US)

(72) Inventor: **Jackson Carpenter**, Little Rock, AR
(US)

(73) Assignee: **Trayton America, Inc.**, High Point, NC
(US)

(**) Term: **14 Years**

(21) Appl. No.: **29/488,394**

(22) Filed: **Apr. 18, 2014**

(51) **LOC (10) Cl.** **06-01**

(52) **U.S. Cl.**
USPC **D6/381**

(58) **Field of Classification Search**
USPC D6/364–368, 374, 381, 716, 716.5;
297/452.18, 452.24, 452.26, 452.28,
297/452.32–33, 452.37
CPC B60N 2/02; B60N 2/22; B60N 2/44;
A47C 1/10; A47C 1/031
See application file for complete search history.

(56) **References Cited**

U.S. PATENT DOCUMENTS

D512,847 S	*	12/2005	Ricci	D6/381
D544,242 S	*	6/2007	Ricci	D6/381
D547,090 S	*	7/2007	Natuzzi	D6/381
D566,435 S	*	4/2008	Grove	D6/366
D666,030 S	*	8/2012	Kvello	D6/716
D733,438 S	*	7/2015	Adair	D6/334
D733,439 S	*	7/2015	Adair	D6/334

D742,155 S	*	11/2015	Carpenter	D6/716.5
D755,553 S	*	5/2016	Wilkinson	D6/366
2015/0305504 A1	*	10/2015	Robinson	A47C 7/16 297/452.18

* cited by examiner

Primary Examiner — Manpreet Matharu

Assistant Examiner — Keith Wilson

(74) *Attorney, Agent, or Firm* — Womble Carlyle
Sandridge & Rice, LLP

(57) **CLAIM**

I claim the ornamental design for a recliner, as shown and described.

DESCRIPTION

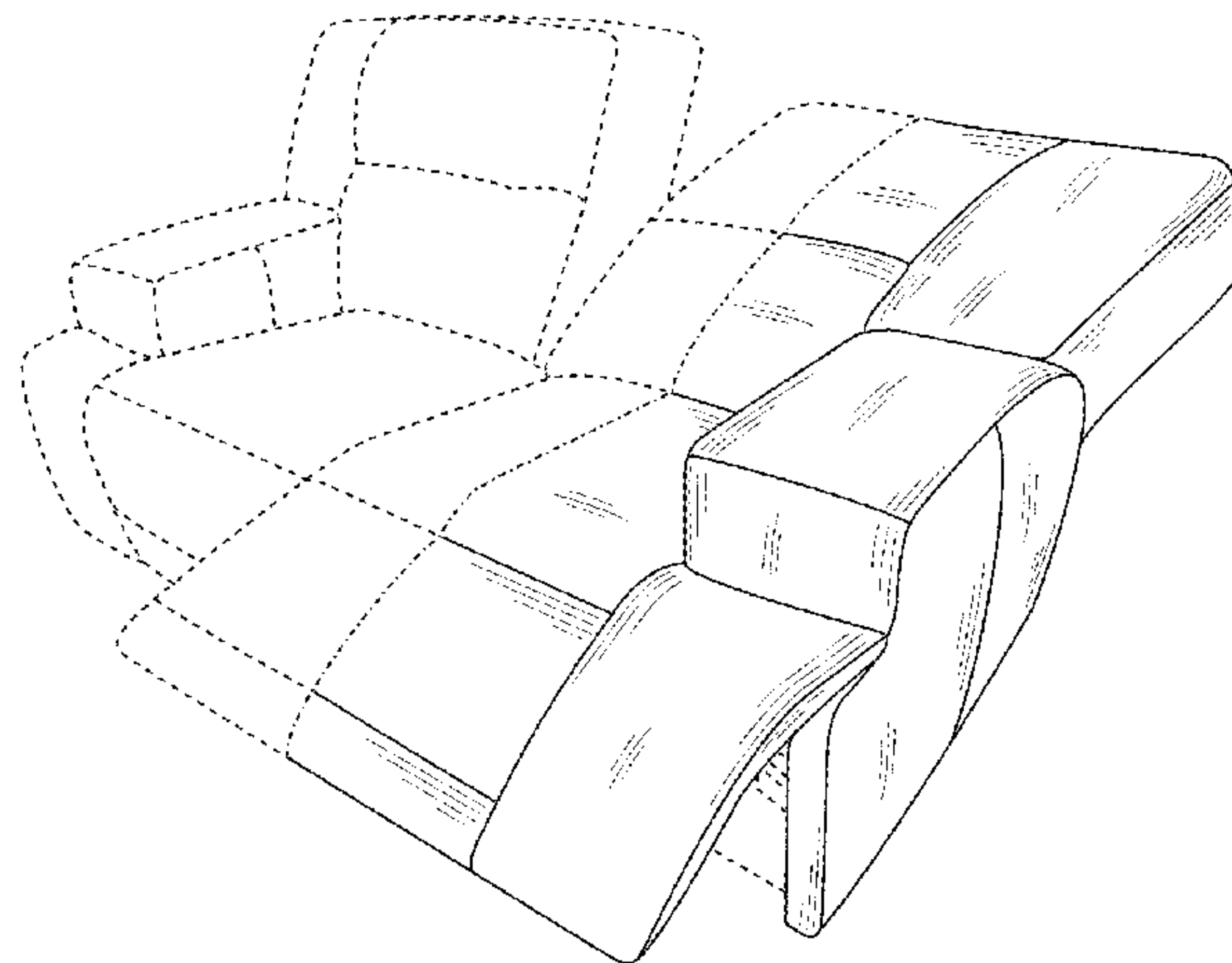
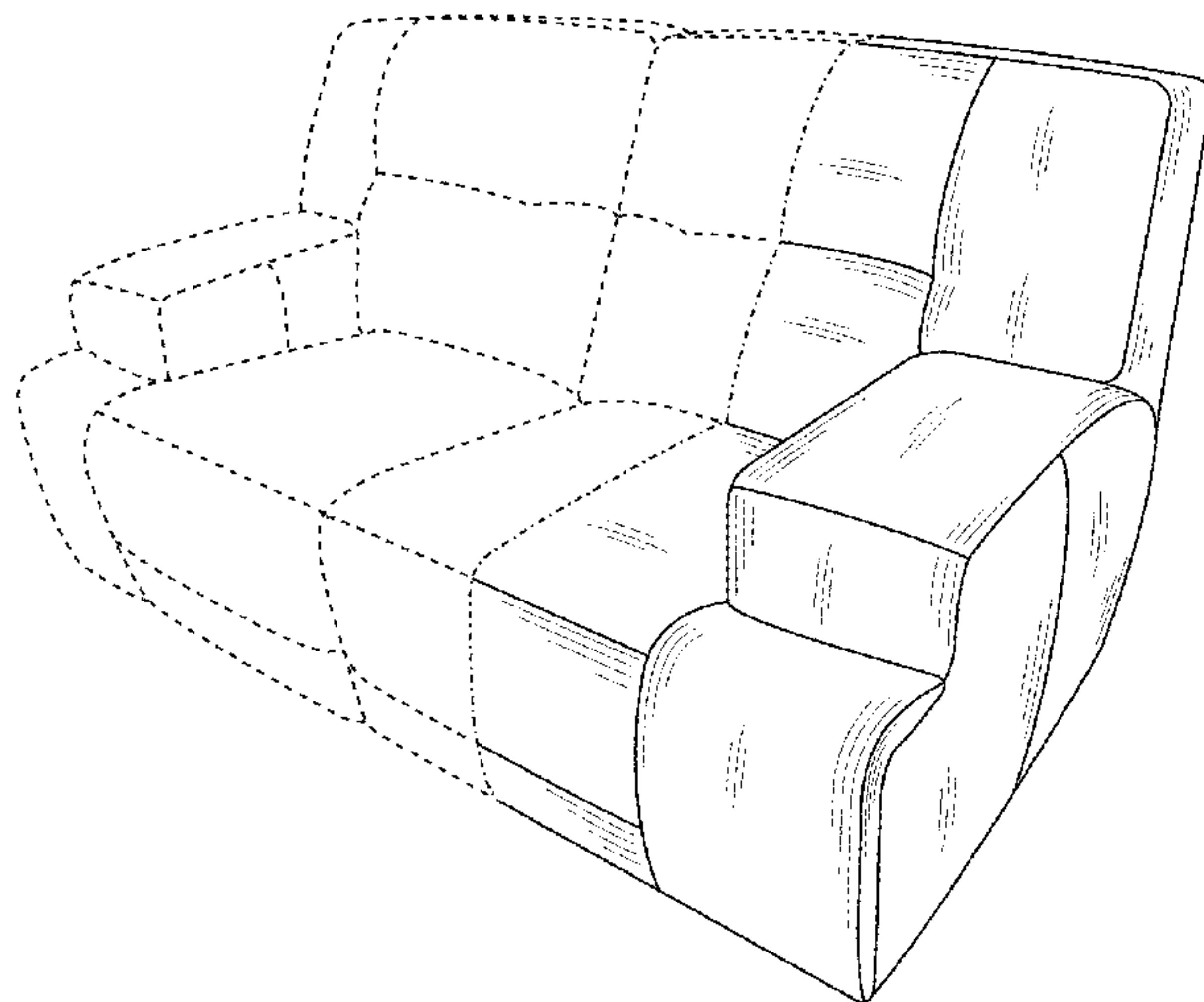
FIG. 1 is a front right perspective view of my new design in an upright position;
FIG. 2 is a front view thereof;
FIG. 3 is a right side view thereof;
FIG. 4 is a rear view thereof.
FIG. 5 is a front right perspective view of my new design in a reclined position;
FIG. 6 is a front view thereof;
FIG. 7 is right side view thereof; and,
FIG. 8 is a rear view thereof.

The views of the recliner not shown form no part of the claimed design.

The dash-dash lines shown in FIGS. 1, 2, 4, 7, and 8 are environmental elements only and form no part of the presently claimed design.

The dash-dot lines shown in FIGS. 1, 2, 5 and 6 are unclaimed boundary lines and form no part of the claimed design.

1 Claim, 8 Drawing Sheets



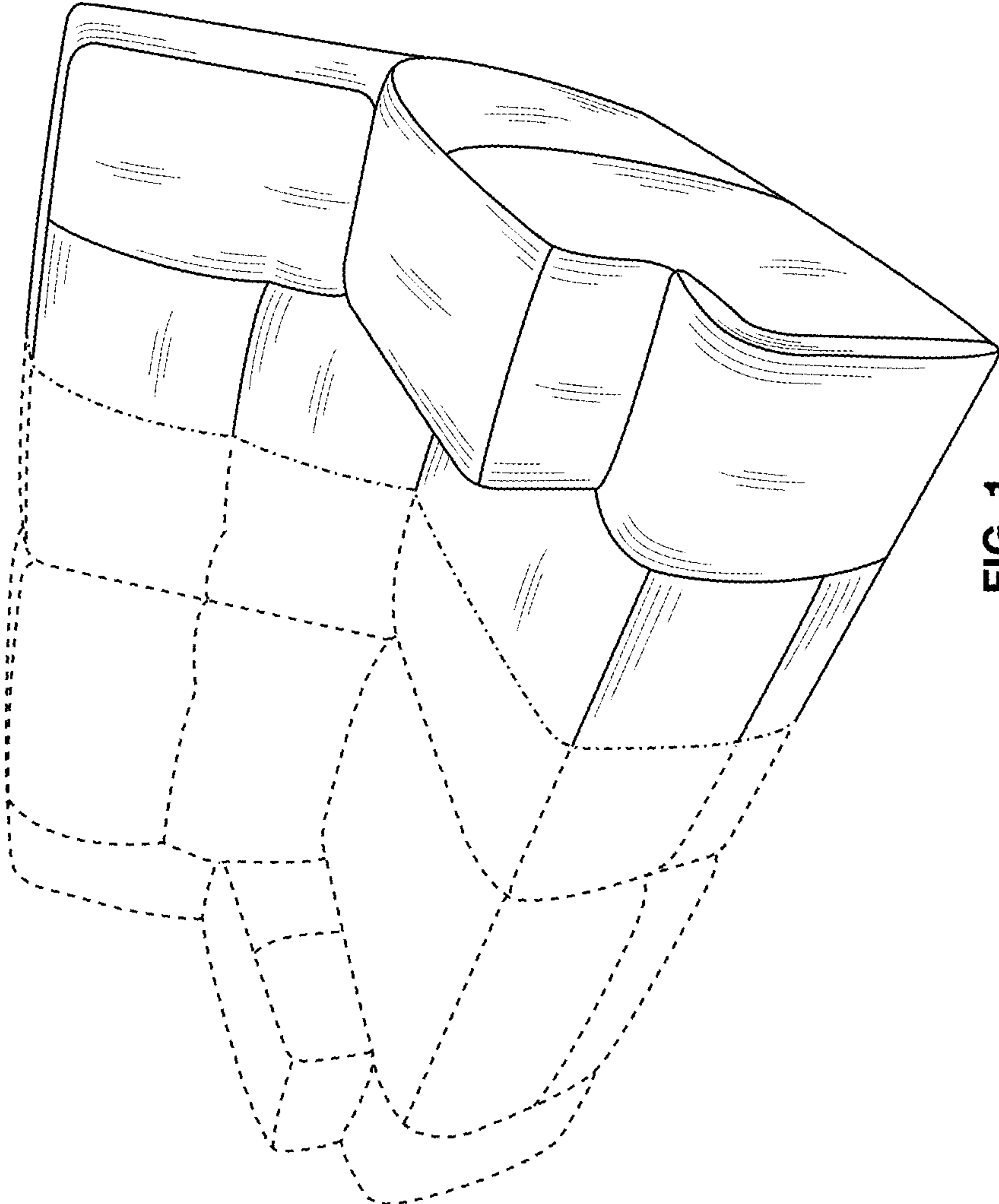


FIG. 1

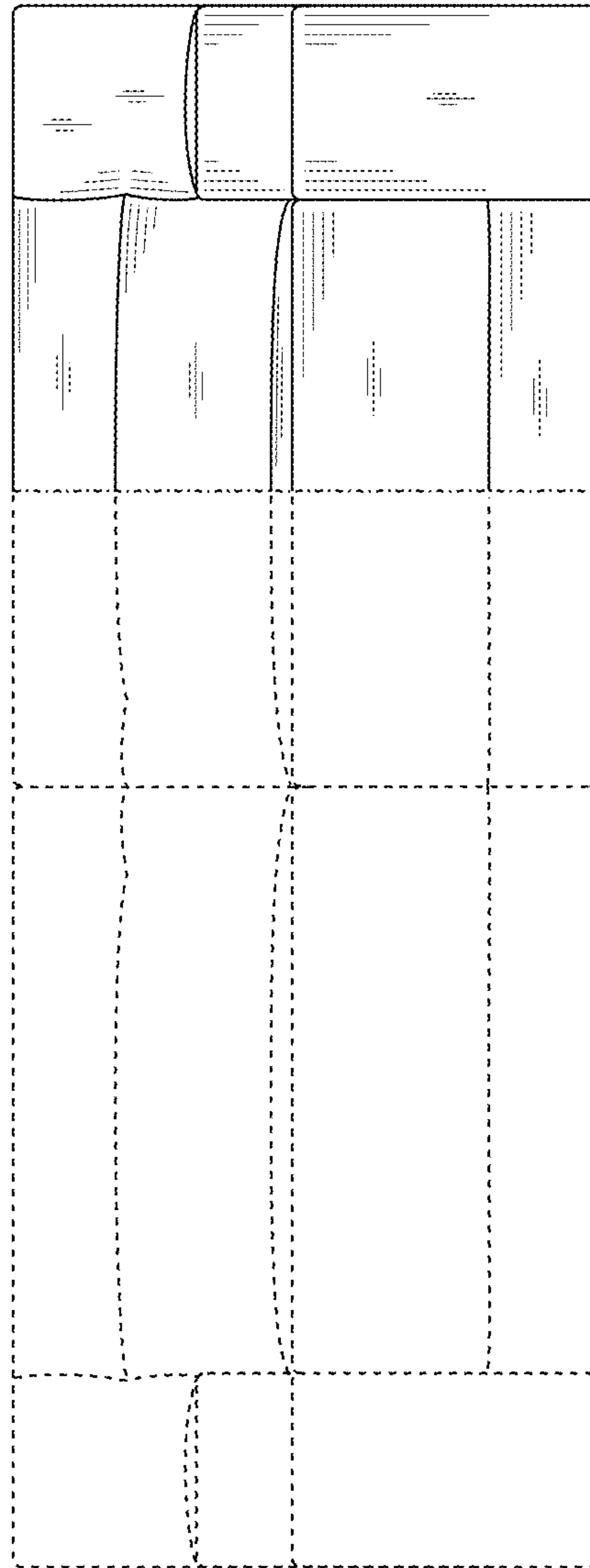


FIG. 2

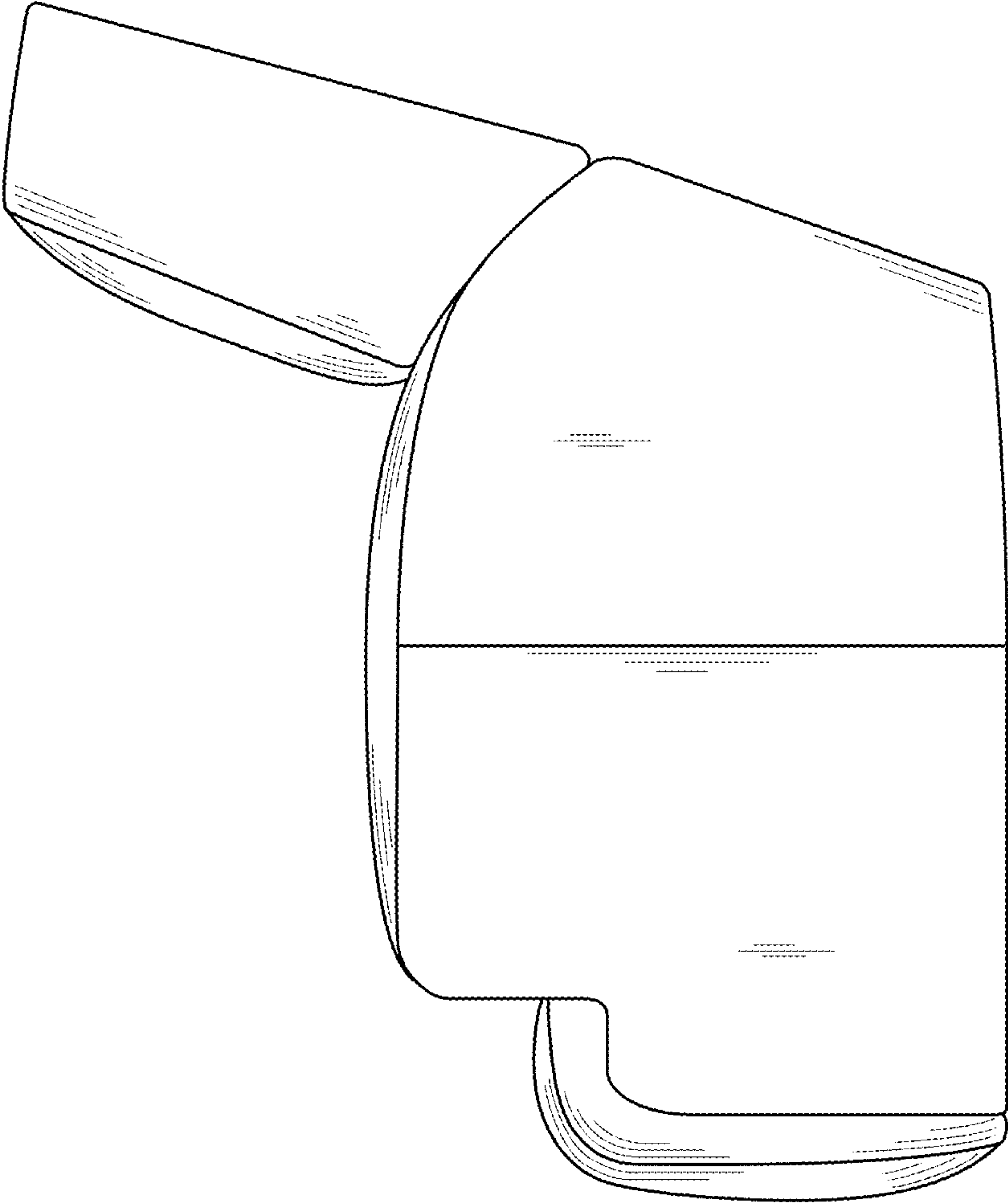


FIG. 3

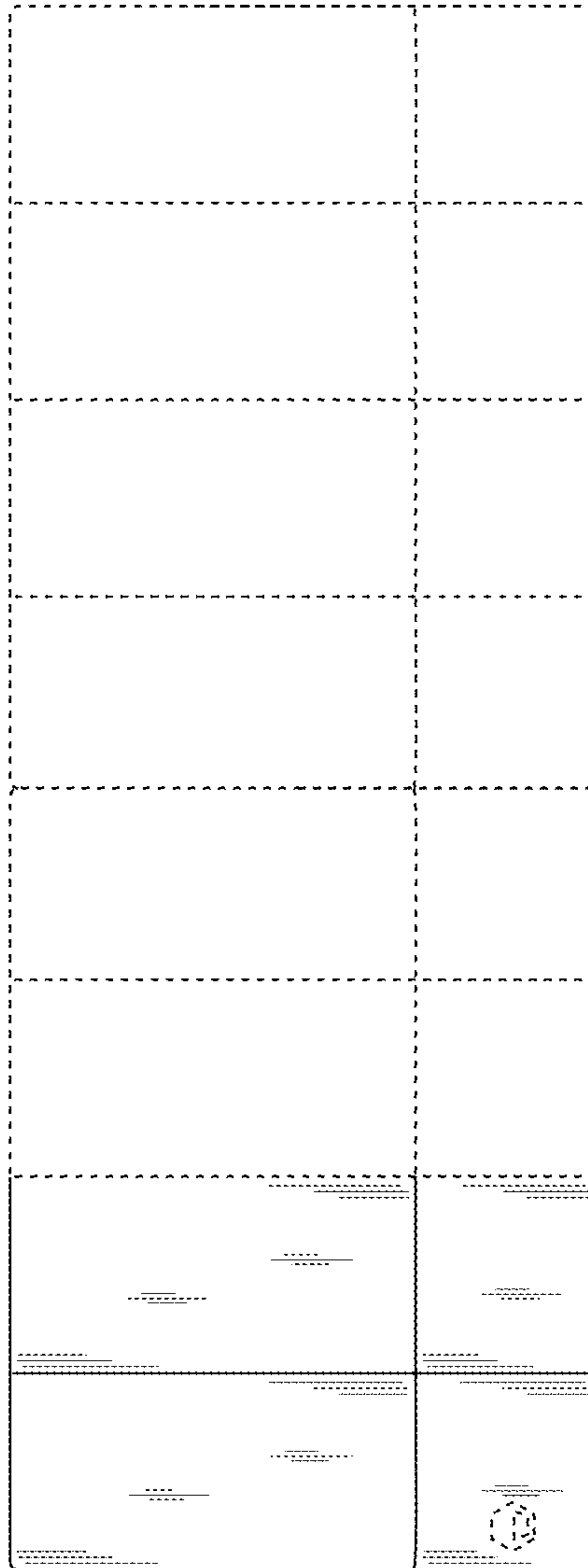


FIG. 4

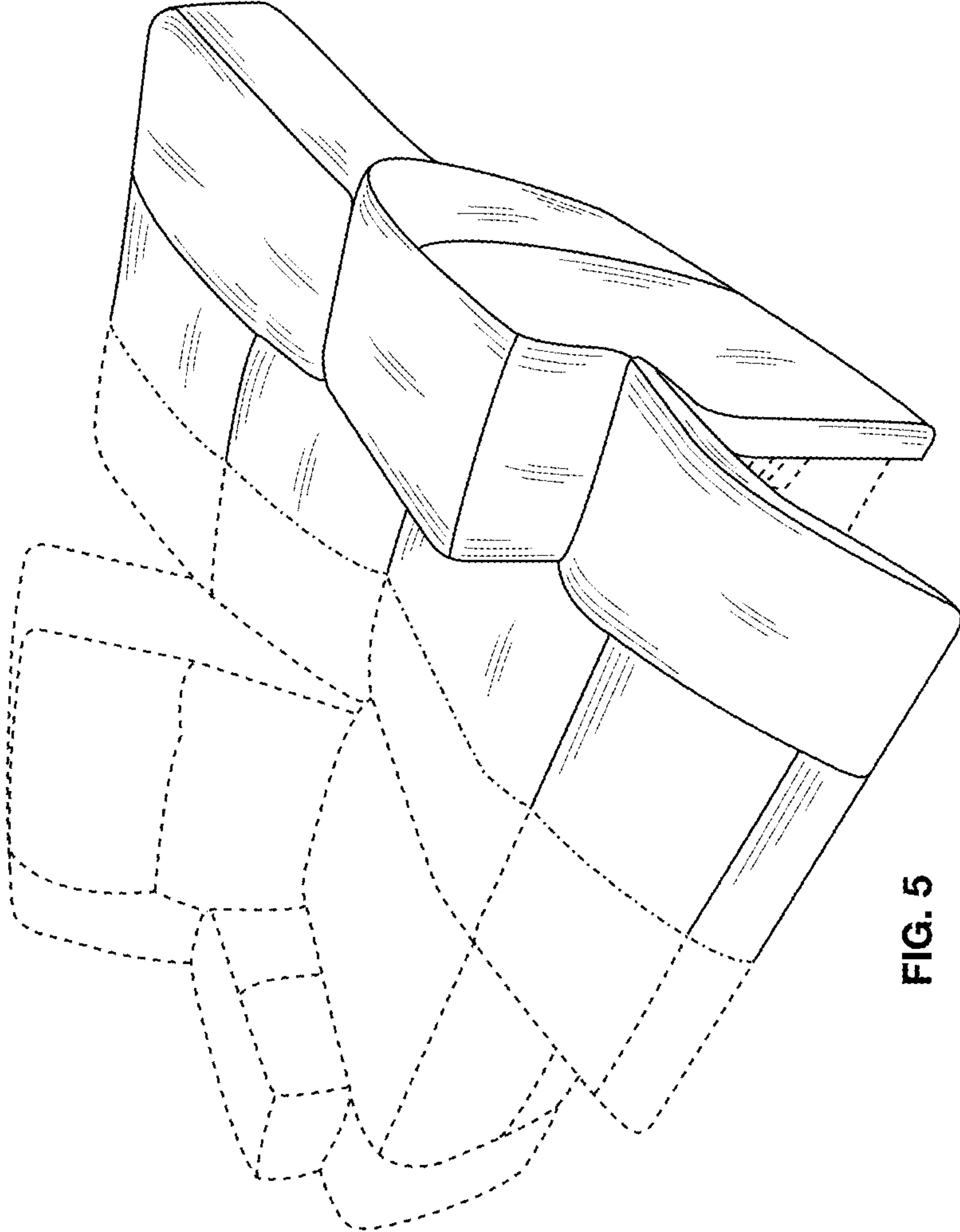


FIG. 5

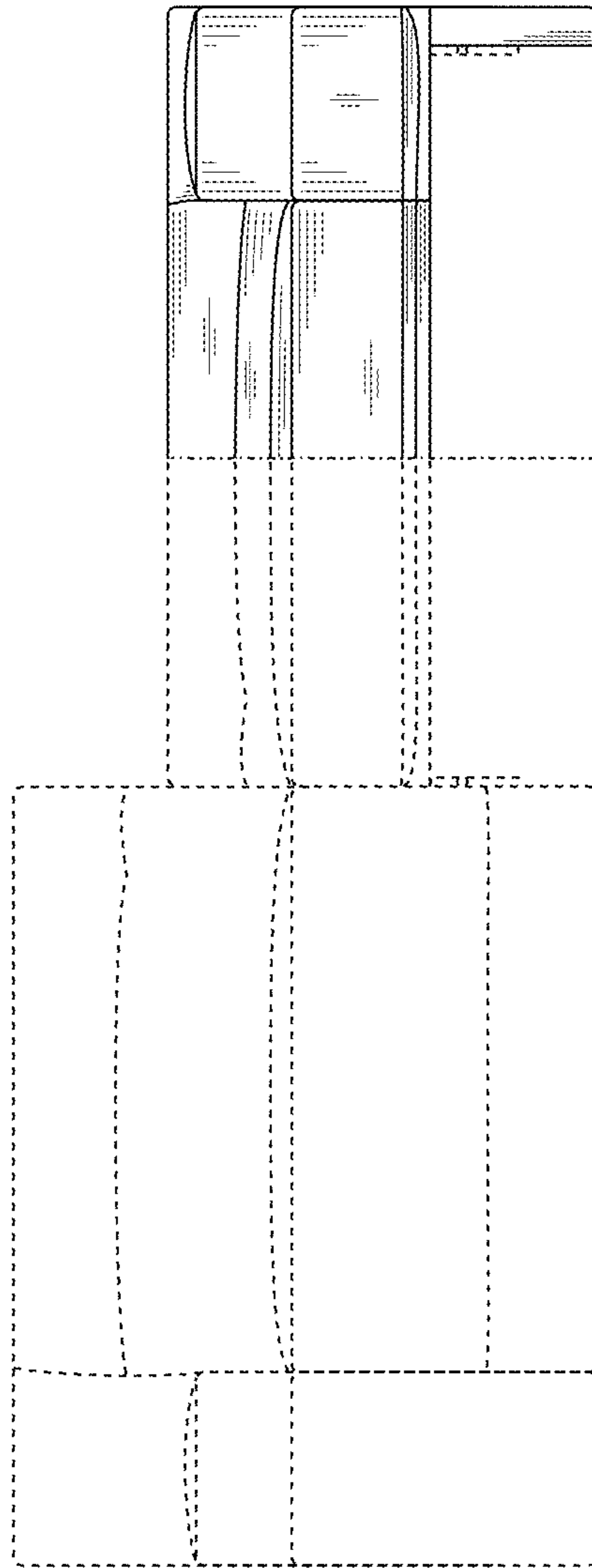


FIG. 6

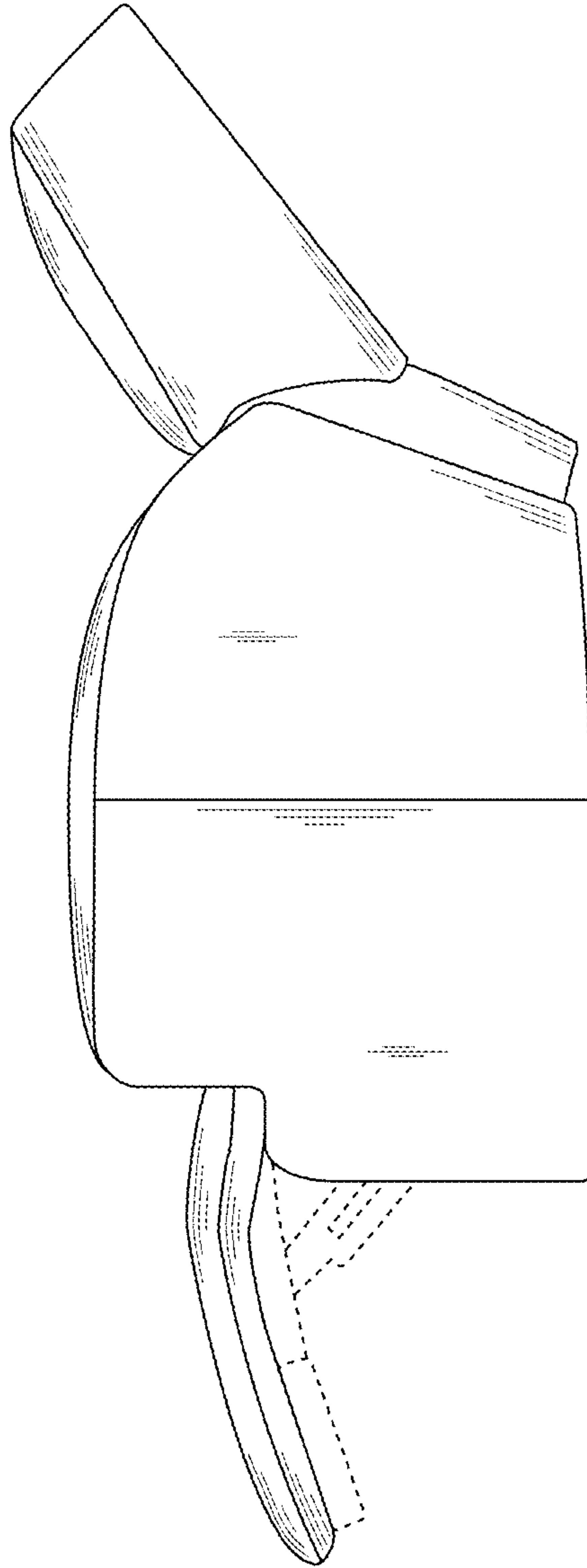


FIG. 7

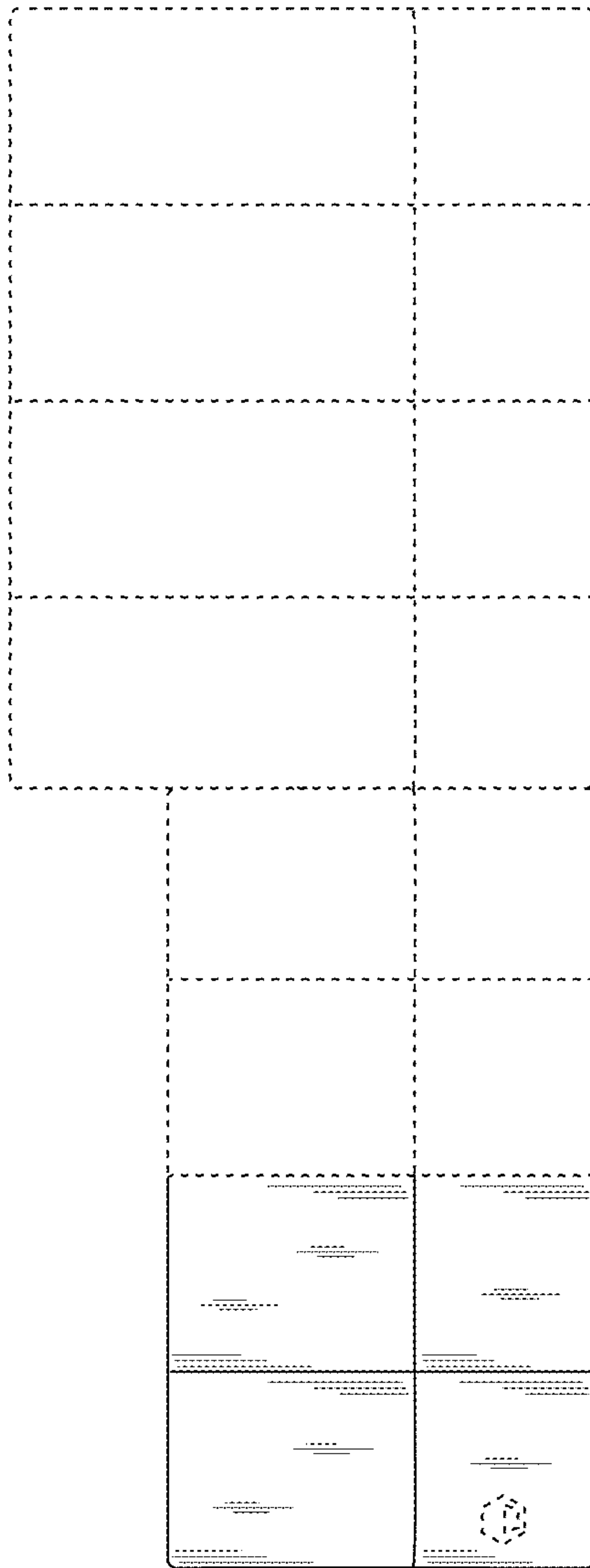


FIG. 8