



US00D771962S

(12) **United States Design Patent** (10) **Patent No.:** **US D771,962 S**  
**Weng** (45) **Date of Patent:** **\*\* Nov. 22, 2016**

(54) **HAMMOCK**  
(71) Applicant: **Ningbo Mentoriend International Trading Co., Ltd.**, Ningbo (CN)  
(72) Inventor: **Johnson Weng**, Ningbo (CN)  
(73) Assignee: **NINGBO MENTORIEND INTERNATIONAL TRADING CO., LTD.**, Ningbo (CN)  
(\*\*) Term: **14 Years**  
(21) Appl. No.: **29/524,732**  
(22) Filed: **Apr. 22, 2015**  
(51) **LOC (10) Cl.** ..... **06-01**  
(52) **U.S. Cl.**  
USPC ..... **D6/347**  
(58) **Field of Classification Search**  
USPC ..... D6/334-336, 347, 348, 369, 370, 375,  
D6/376, 716, 716.1, 716.2, 716.3, 716.4,  
D6/716.5; D21/823  
CPC ..... A47C 5/04; A47C 3/12; A45F 3/22;  
A45F 3/24; A45F 3/26; A63G 9/00; A63G  
9/12  
See application file for complete search history.

(56) **References Cited**  
U.S. PATENT DOCUMENTS  
D230,921 S \* 3/1974 Bonnell ..... D6/347  
D522,259 S \* 6/2006 Wu ..... D6/347  
(Continued)

*Primary Examiner* — Mimoso De  
(74) *Attorney, Agent, or Firm* — Matthias Scholl, PC;  
Matthias Scholl

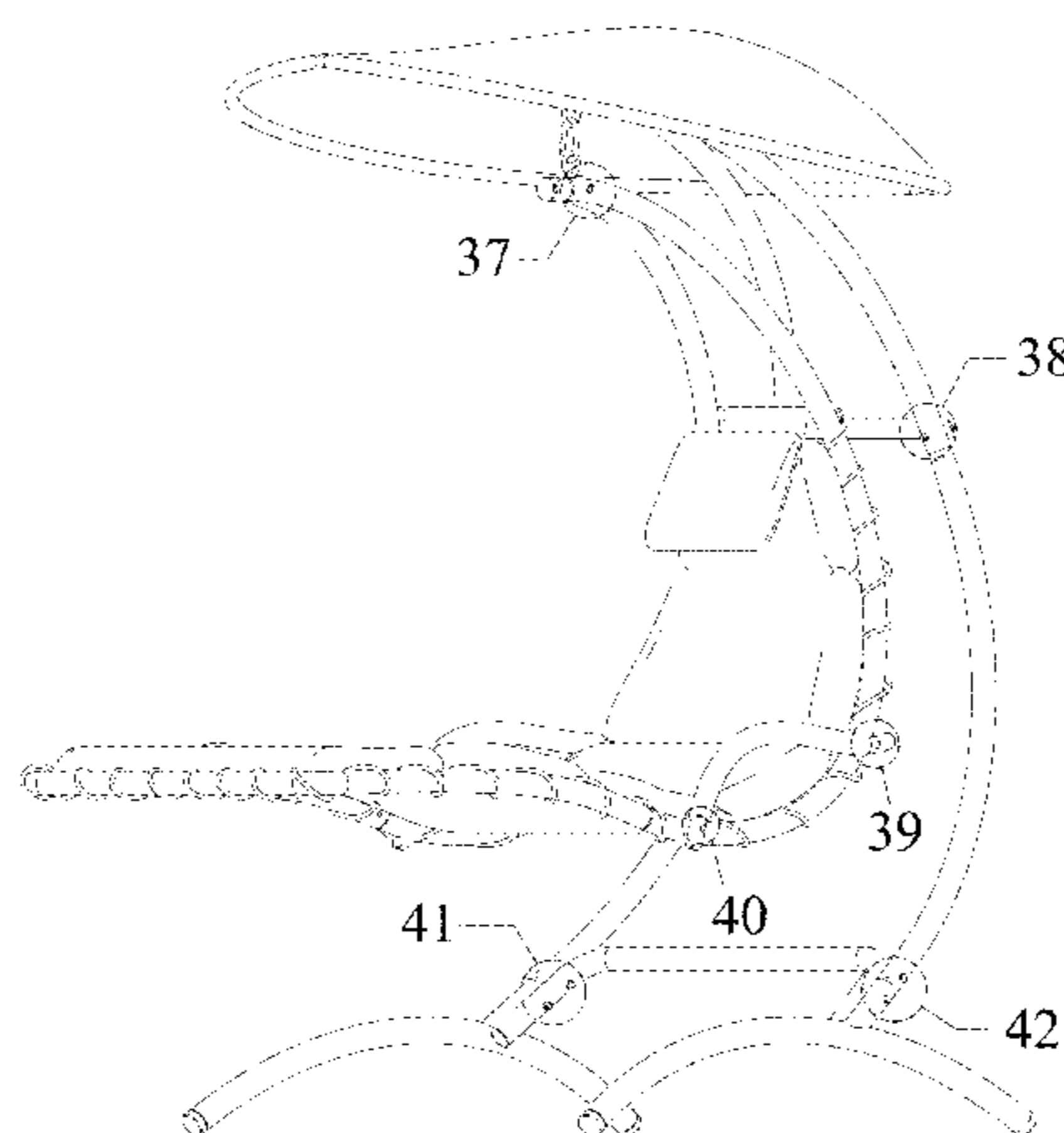
(57) **CLAIM**  
The ornamental design for a hammock, as shown and described.

**DESCRIPTION**

FIG. 1 is a front elevational view of a hammock;  
FIG. 2 is a rear elevational view thereof;

FIG. 3 is a left side elevational view thereof;  
FIG. 4 is a right side elevational view thereof;  
FIG. 5 is a top plan view thereof;  
FIG. 6 is a bottom plan view thereof;  
FIG. 7 is a perspective view thereof; and  
FIG. 8 is an enlarged view of part 8 in FIG. 1;  
FIG. 9 is an enlarged view of part 9 in FIG. 1;  
FIG. 10 is an enlarged view of part 10 in FIG. 1;  
FIG. 11 is an enlarged view of part 11 in FIG. 1;  
FIG. 12 is an enlarged view of part 12 in FIG. 1;  
FIG. 13 is an enlarged view of part 13 in FIG. 1;  
FIG. 14 is an enlarged view of part 14 in FIG. 1;  
FIG. 15 is an enlarged view of part 15 in FIG. 2;  
FIG. 16 is an enlarged view of part 16 in FIG. 2;  
FIG. 17 is an enlarged view of part 17 in FIG. 2;  
FIG. 18 is an enlarged view of part 18 in FIG. 2;  
FIG. 19 is an enlarged view of part 19 in FIG. 3;  
FIG. 20 is an enlarged view of part 20 in FIG. 3;  
FIG. 21 is an enlarged view of part 21 in FIG. 3;  
FIG. 22 is an enlarged view of part 22 in FIG. 3;  
FIG. 23 is an enlarged view of part 23 in FIG. 3;  
FIG. 24 is an enlarged view of part 24 in FIG. 3;  
FIG. 25 is an enlarged view of part 25 in FIG. 4;  
FIG. 26 is an enlarged view of part 26 in FIG. 4;  
FIG. 27 is an enlarged view of part 27 in FIG. 4;  
FIG. 28 is an enlarged view of part 28 in FIG. 4;  
FIG. 29 is an enlarged view of part 29 in FIG. 4;  
FIG. 30 is an enlarged view of part 30 in FIG. 4;  
FIG. 31 is an enlarged view of part 31 in FIG. 6;  
FIG. 32 is an enlarged view of part 32 in FIG. 6;  
FIG. 33 is an enlarged view of part 33 in FIG. 6;  
FIG. 34 is an enlarged view of part 34 in FIG. 6;  
FIG. 35 is an enlarged view of part 35 in FIG. 6;  
FIG. 36 is an enlarged view of part 36 in FIG. 6;  
FIG. 37 is an enlarged view of part 37 in FIG. 7;  
FIG. 38 is an enlarged view of part 38 in FIG. 7;  
FIG. 39 is an enlarged view of part 39 in FIG. 7;  
FIG. 40 is an enlarged view of part 40 in FIG. 7;  
FIG. 41 is an enlarged view of part 41 in FIG. 7; and,  
FIG. 42 is an enlarged view of part 42 in FIG. 7.  
The broken lines showing of the screws in the drawing are for illustrative purposes only and form no part of the claimed design.

**1 Claim, 42 Drawing Sheets**



# US D771,962 S

Page 2

---

(56)

## References Cited

### U.S. PATENT DOCUMENTS

D662,737 S \* 7/2012 Yu ..... D6/347  
D699,453 S \* 2/2014 Weng ..... D6/347  
D705,552 S \* 5/2014 Zheng ..... D6/347

D705,553 S \* 5/2014 Zheng ..... D6/347  
D734,046 S \* 7/2015 Shen ..... D6/347  
D734,619 S \* 7/2015 Pan ..... D6/347  
D734,620 S \* 7/2015 Fang ..... D6/347

\* cited by examiner

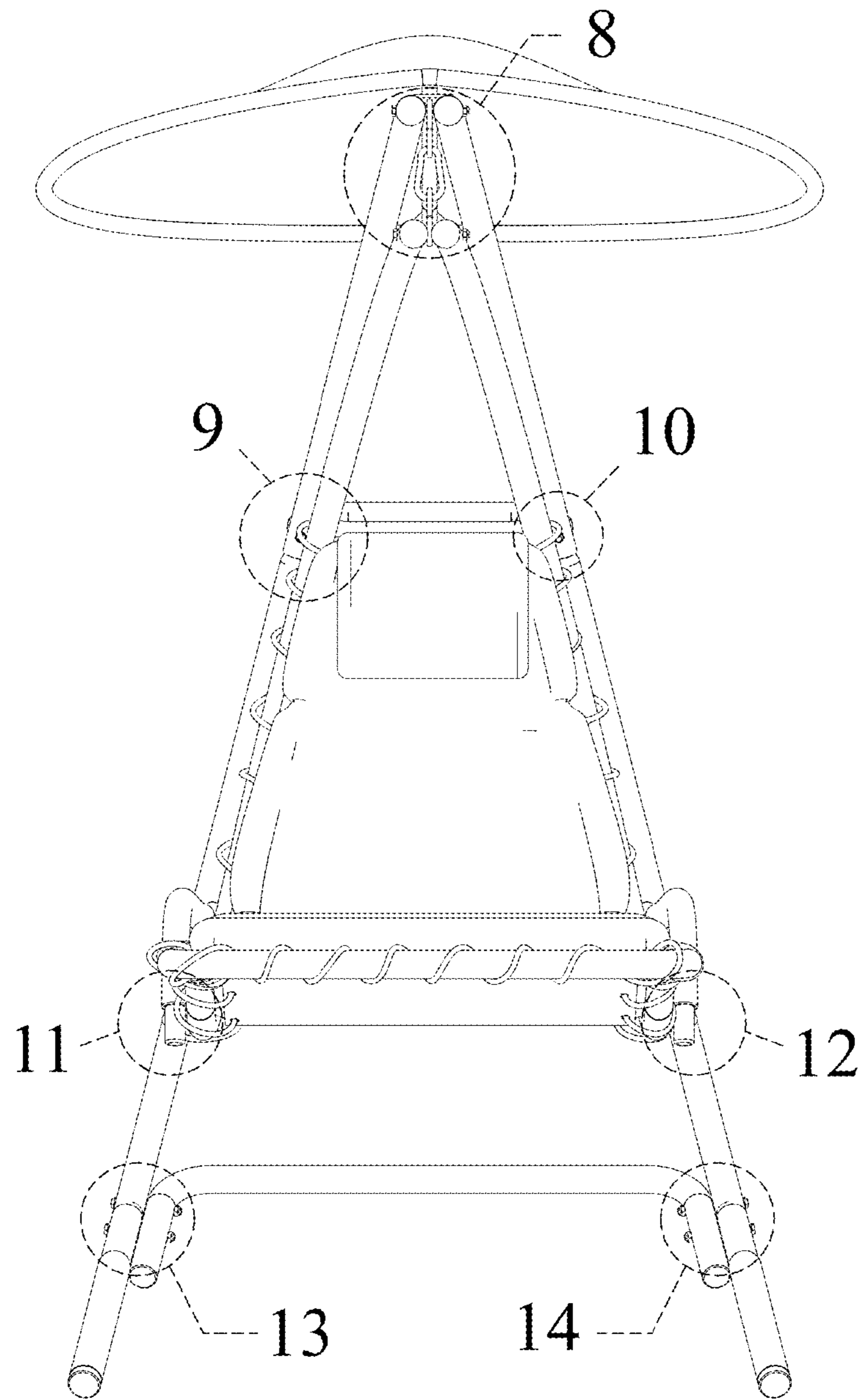


FIG. 1

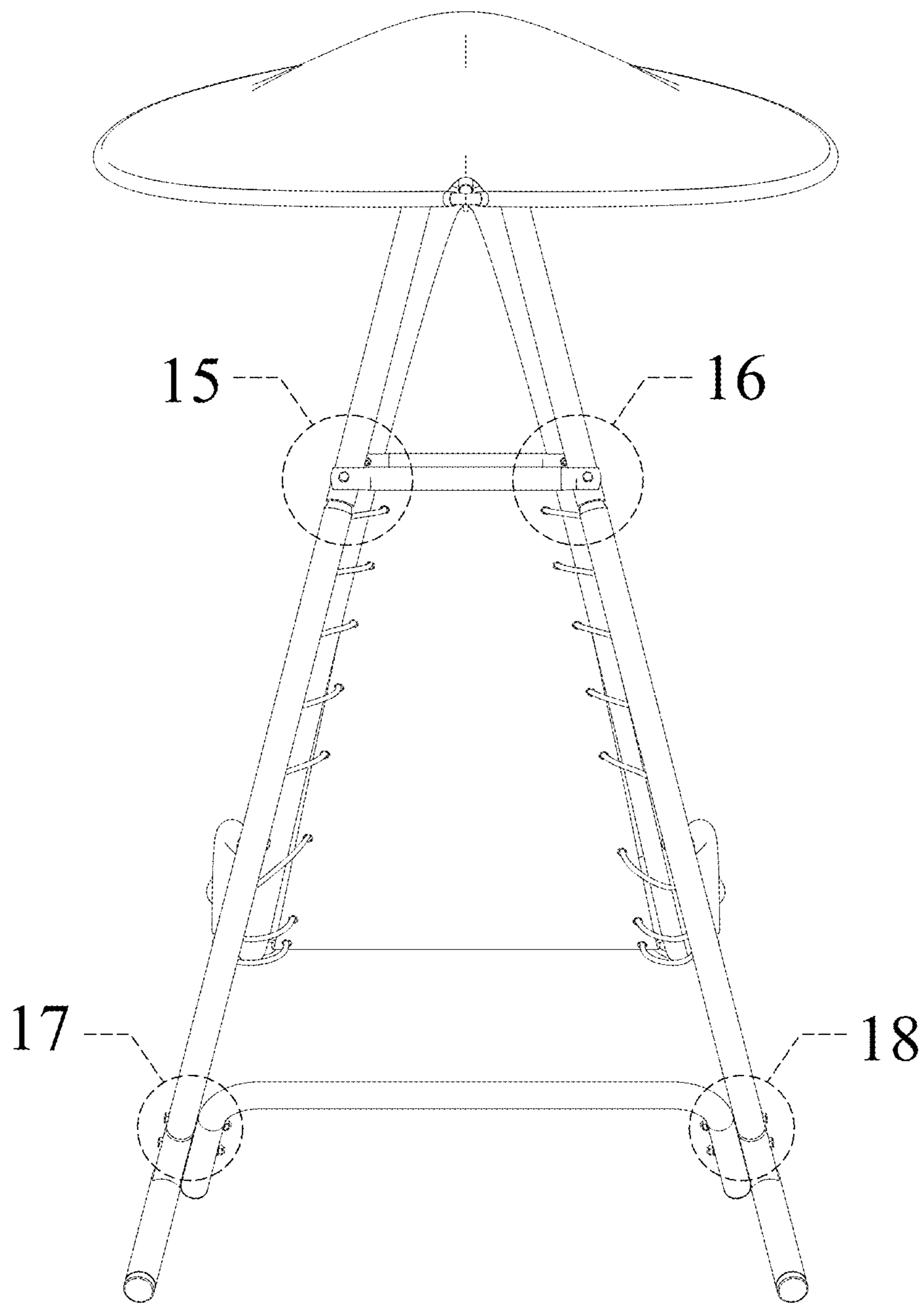


FIG. 2

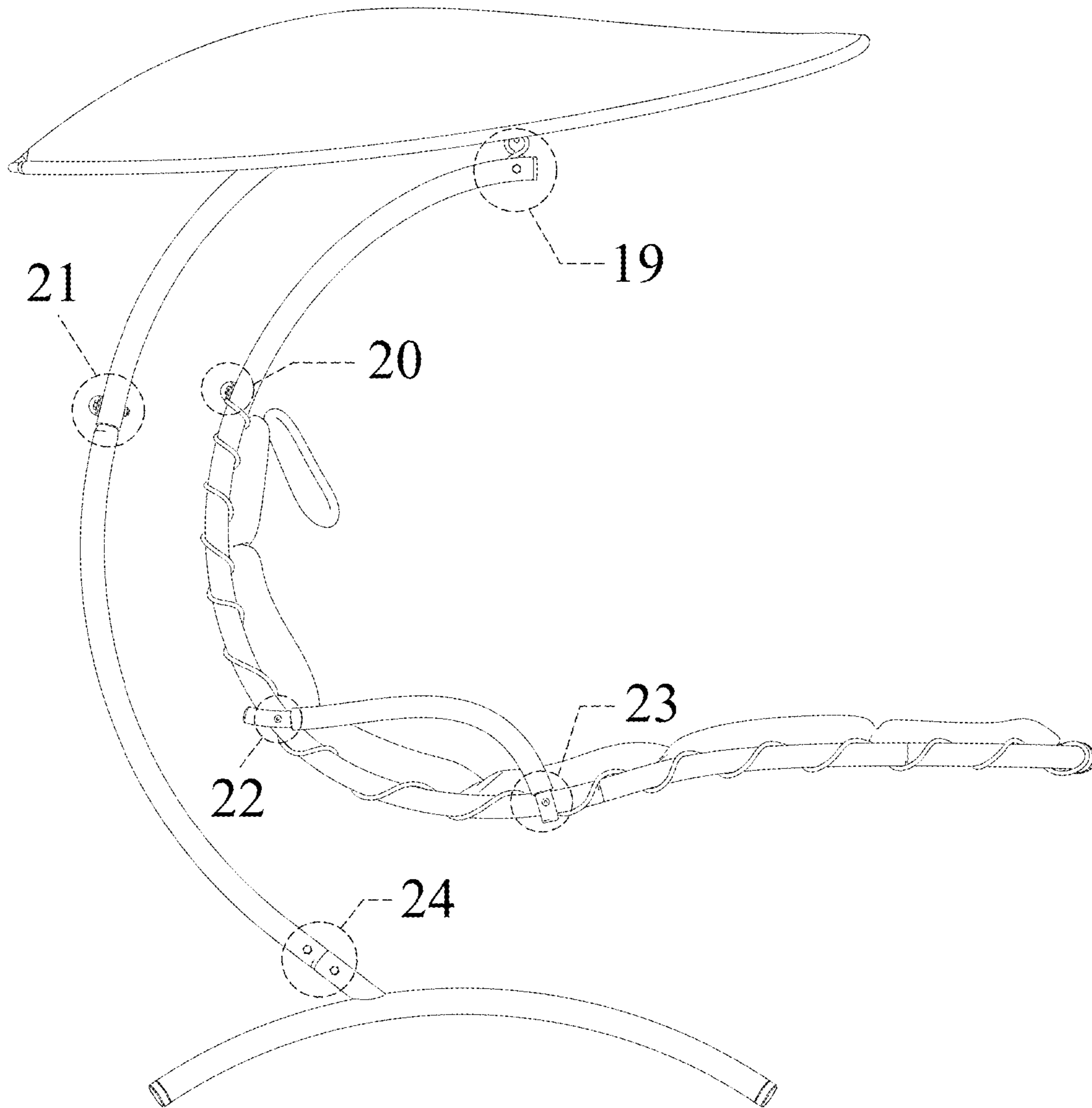


FIG. 3

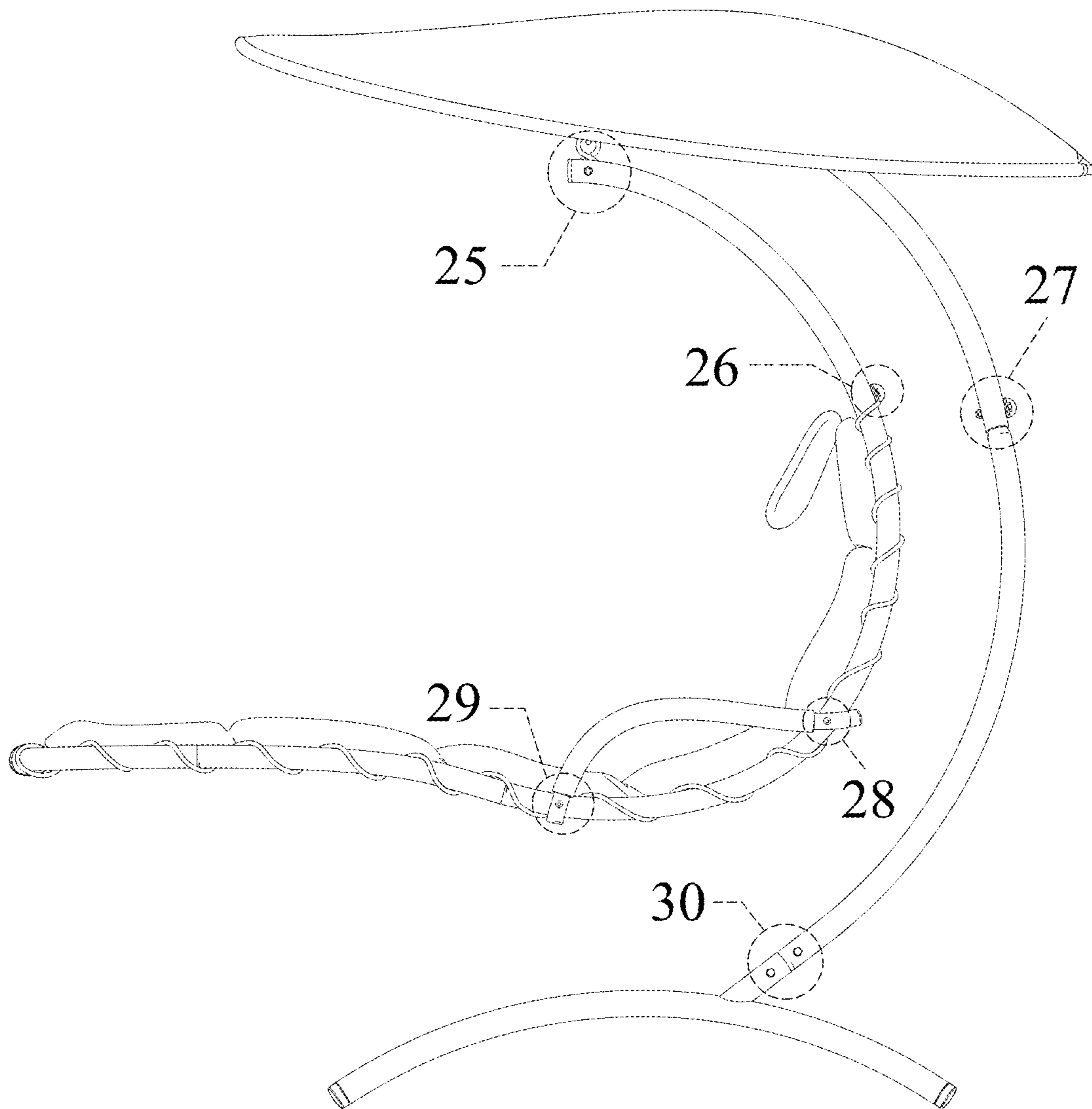


FIG. 4

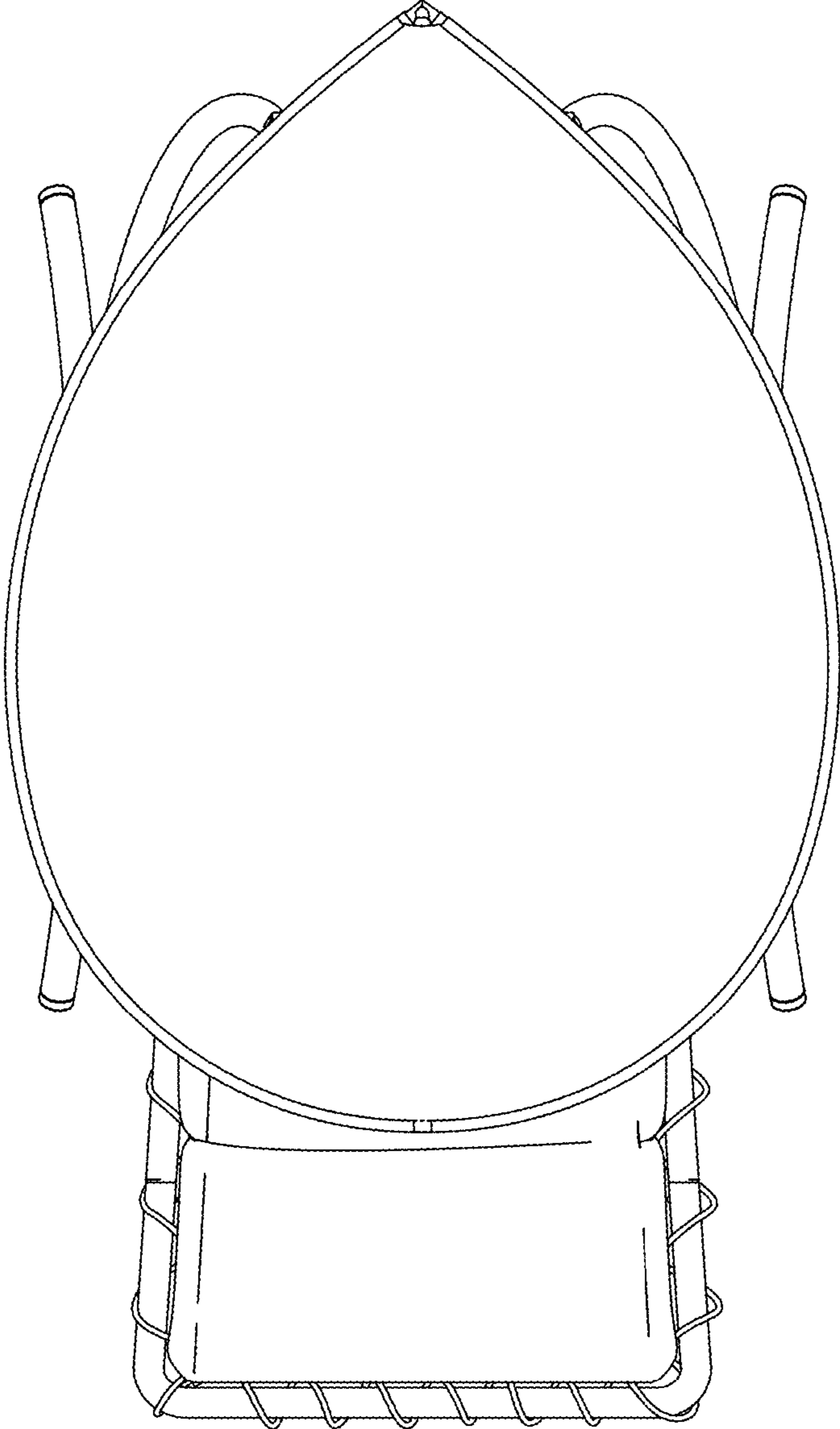


FIG. 5

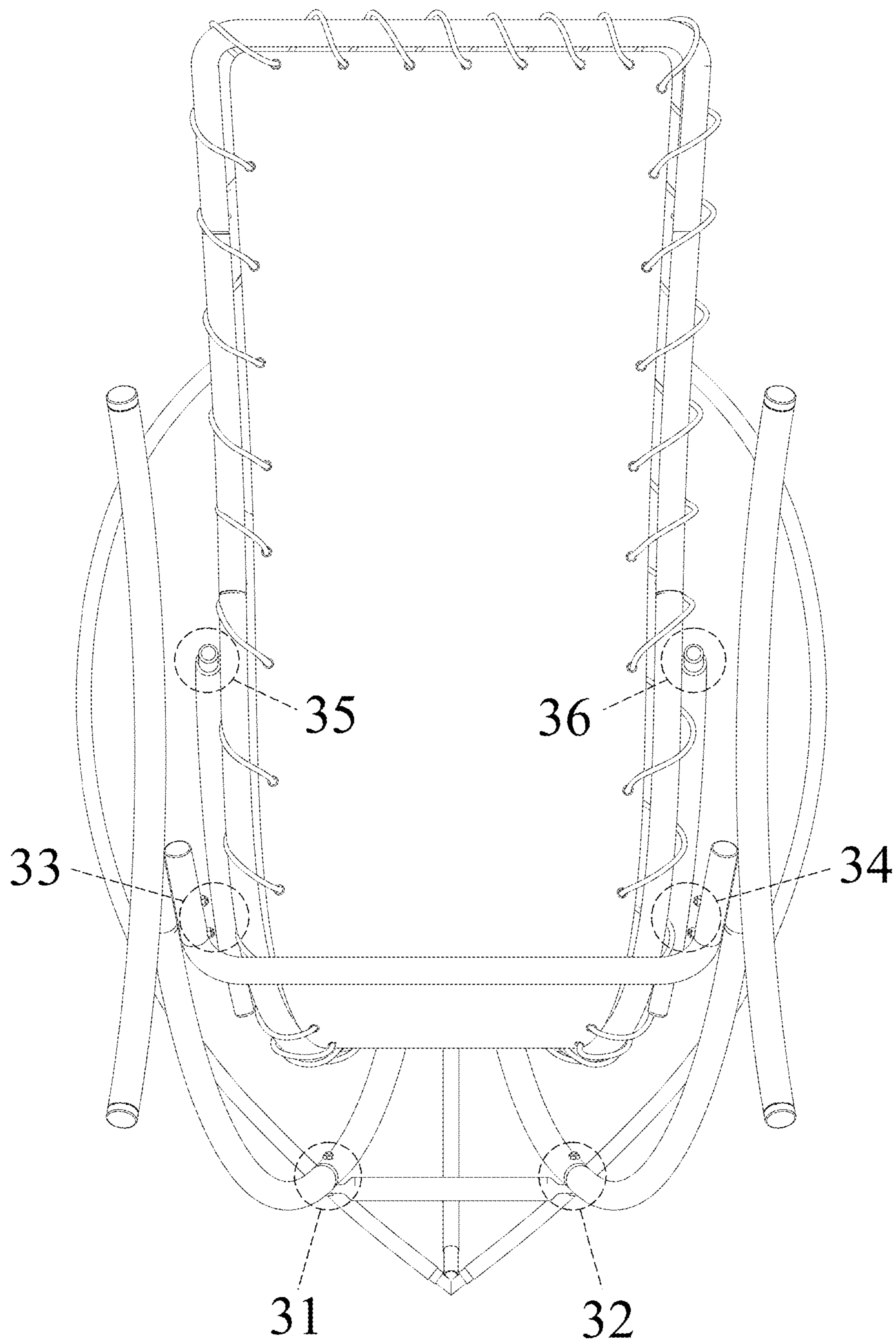


FIG. 6



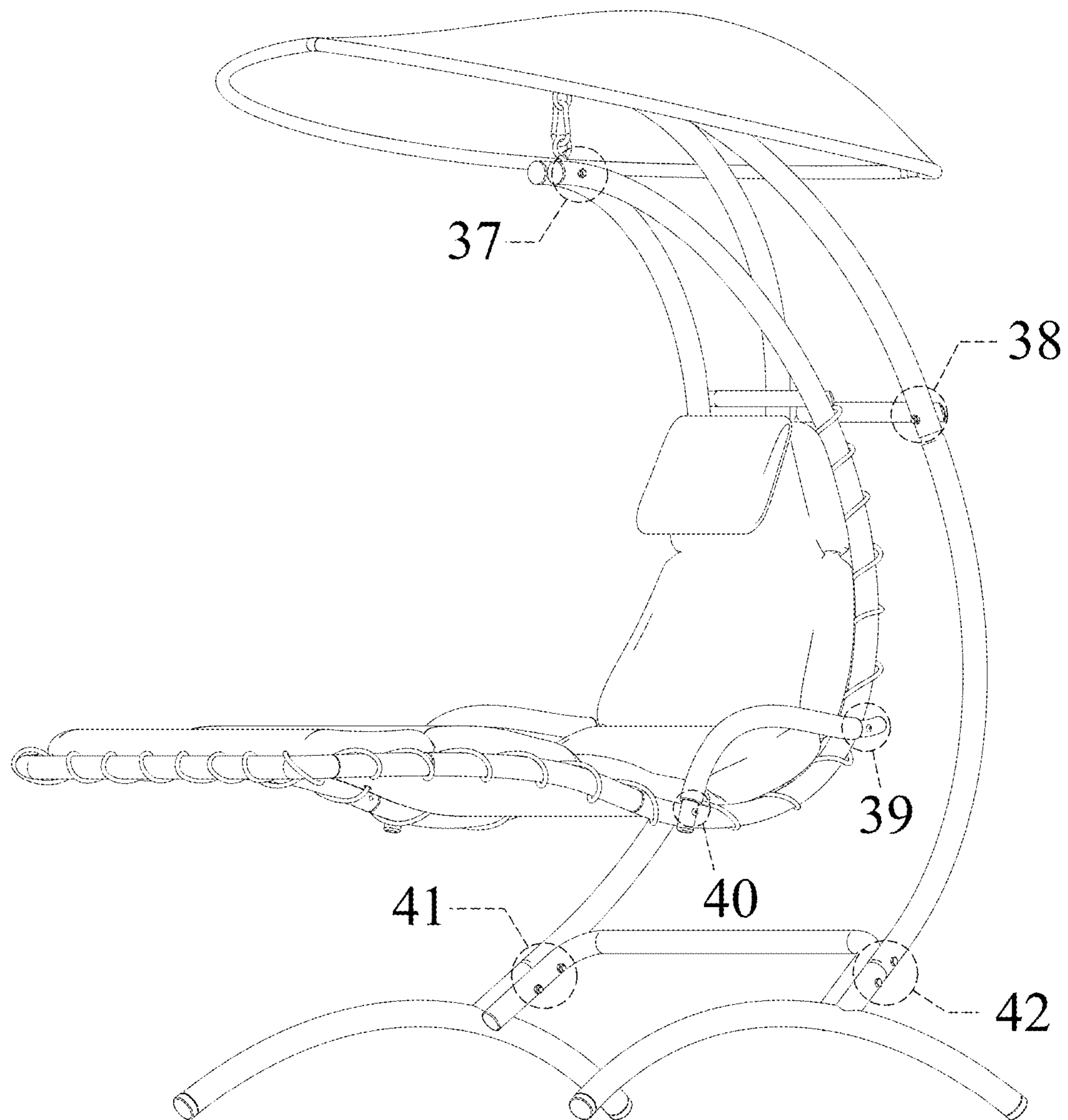


FIG. 7

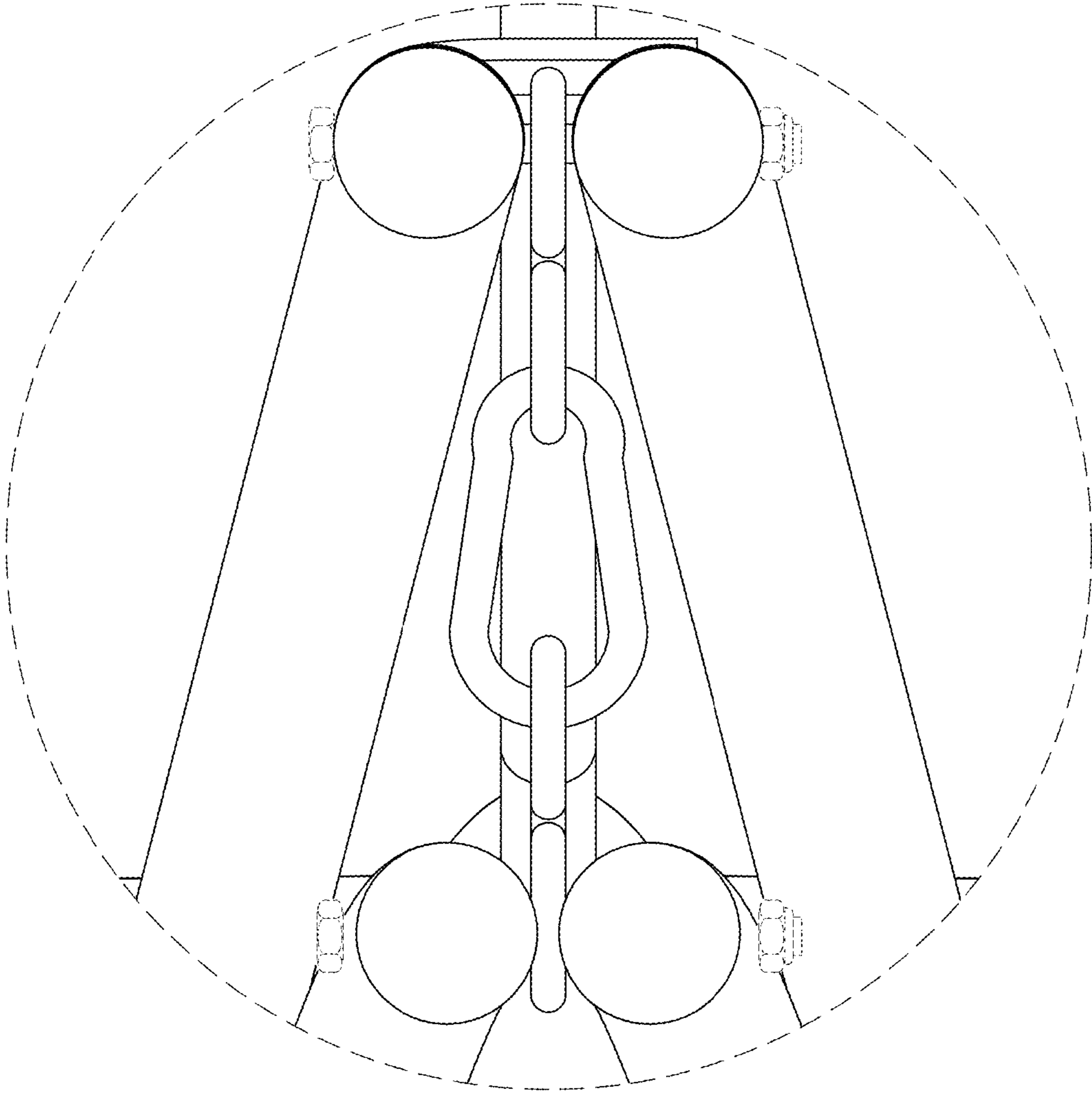


FIG. 8

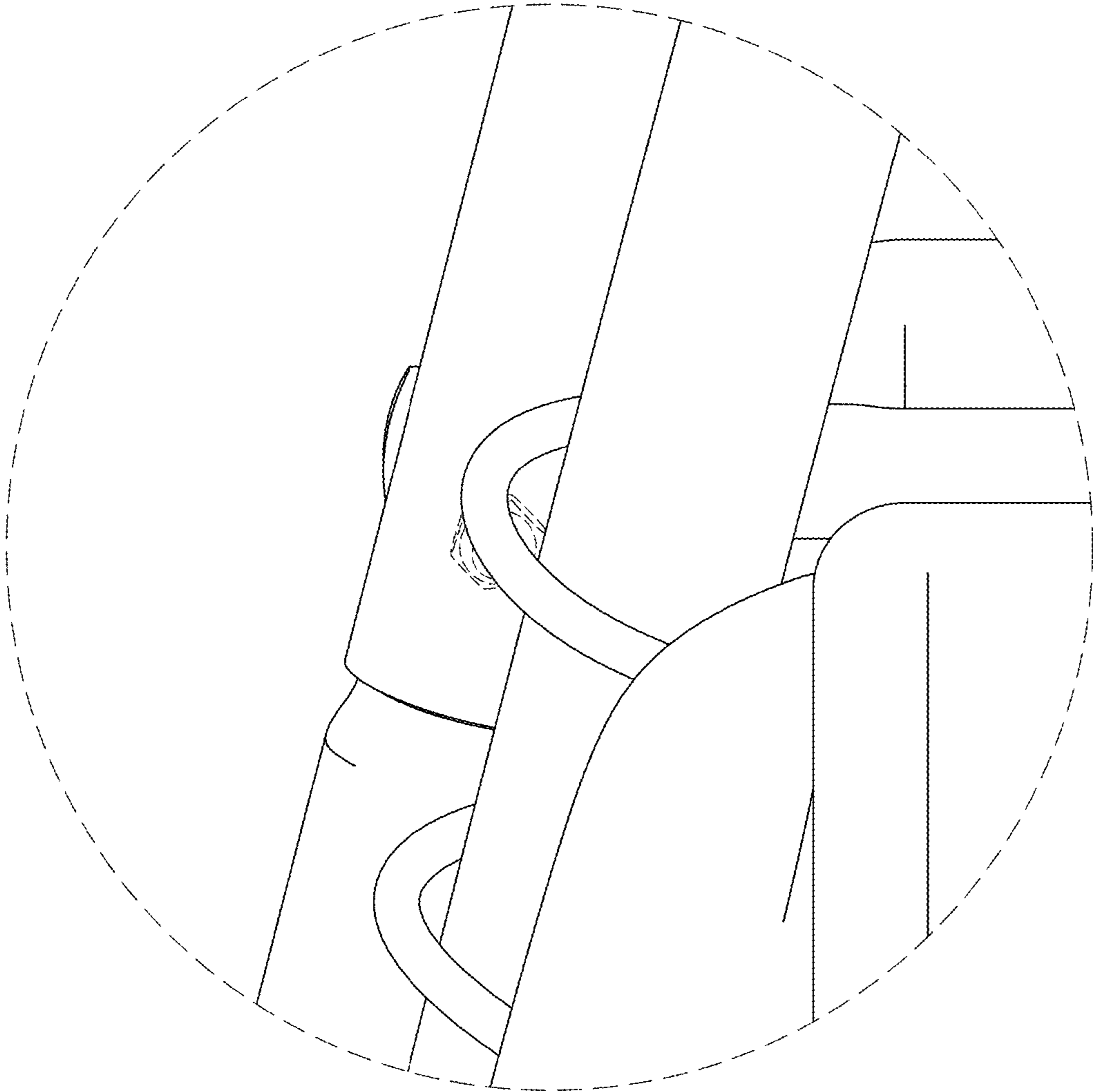


FIG. 9

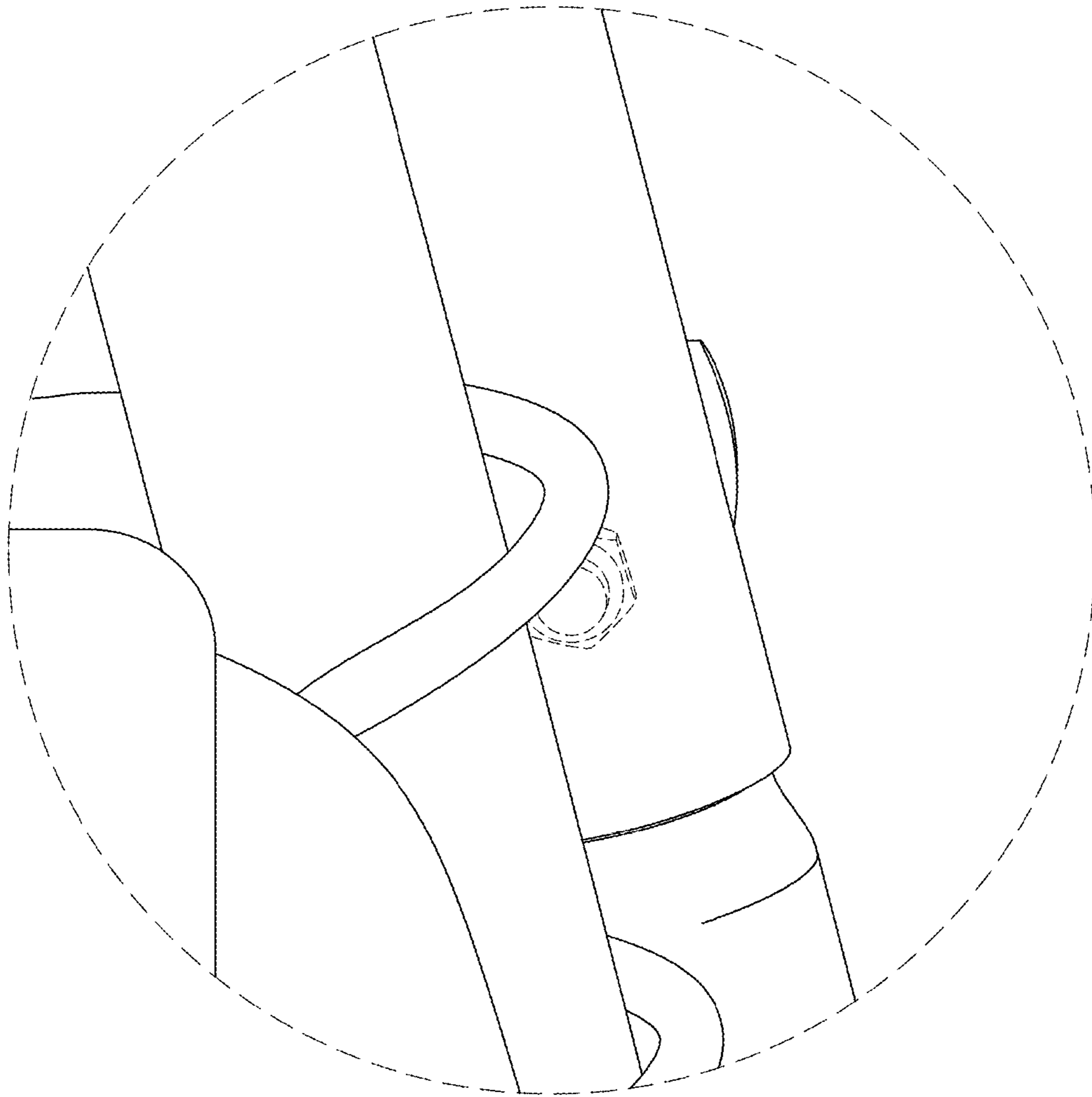


FIG. 10

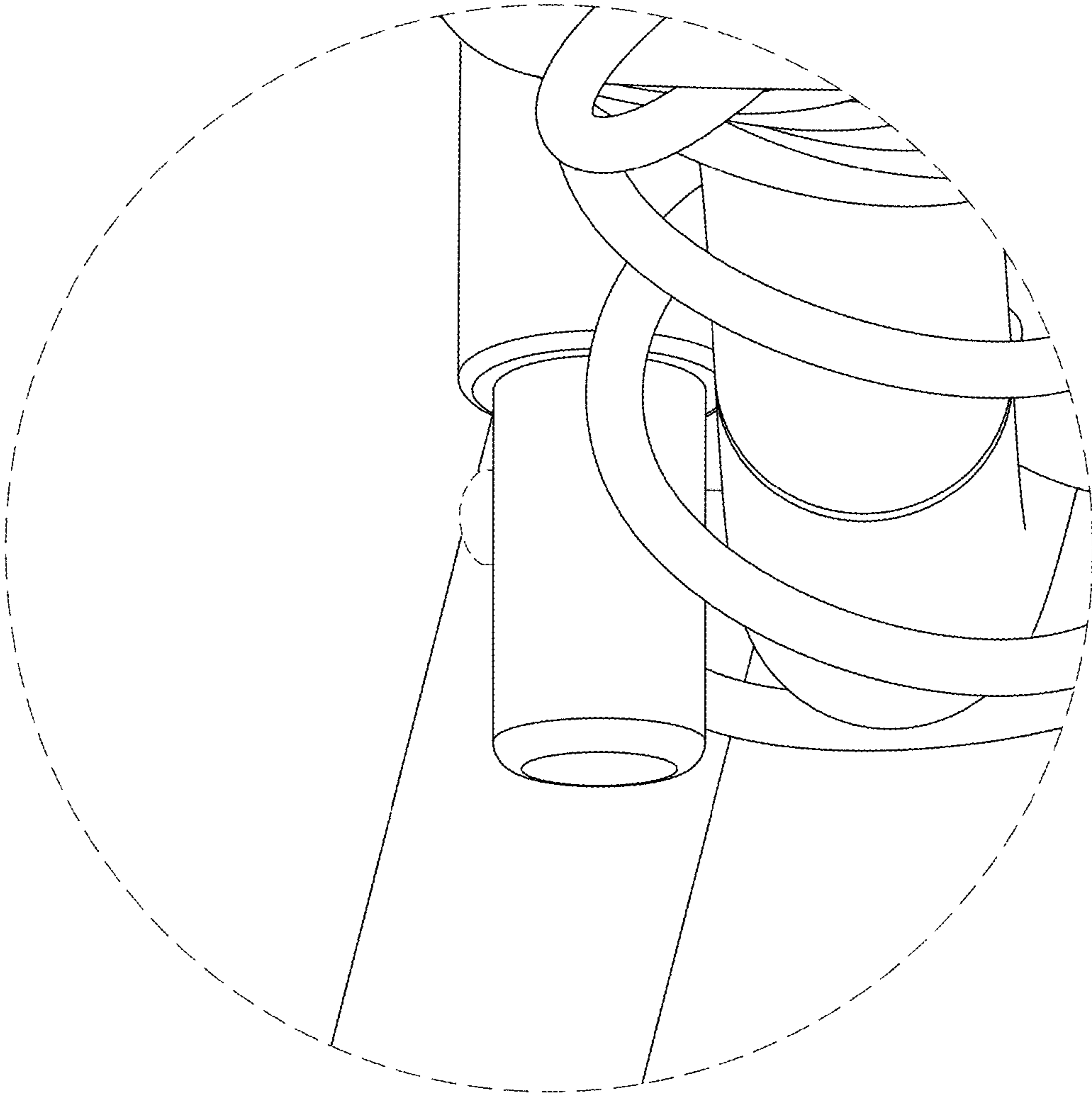


FIG. 11

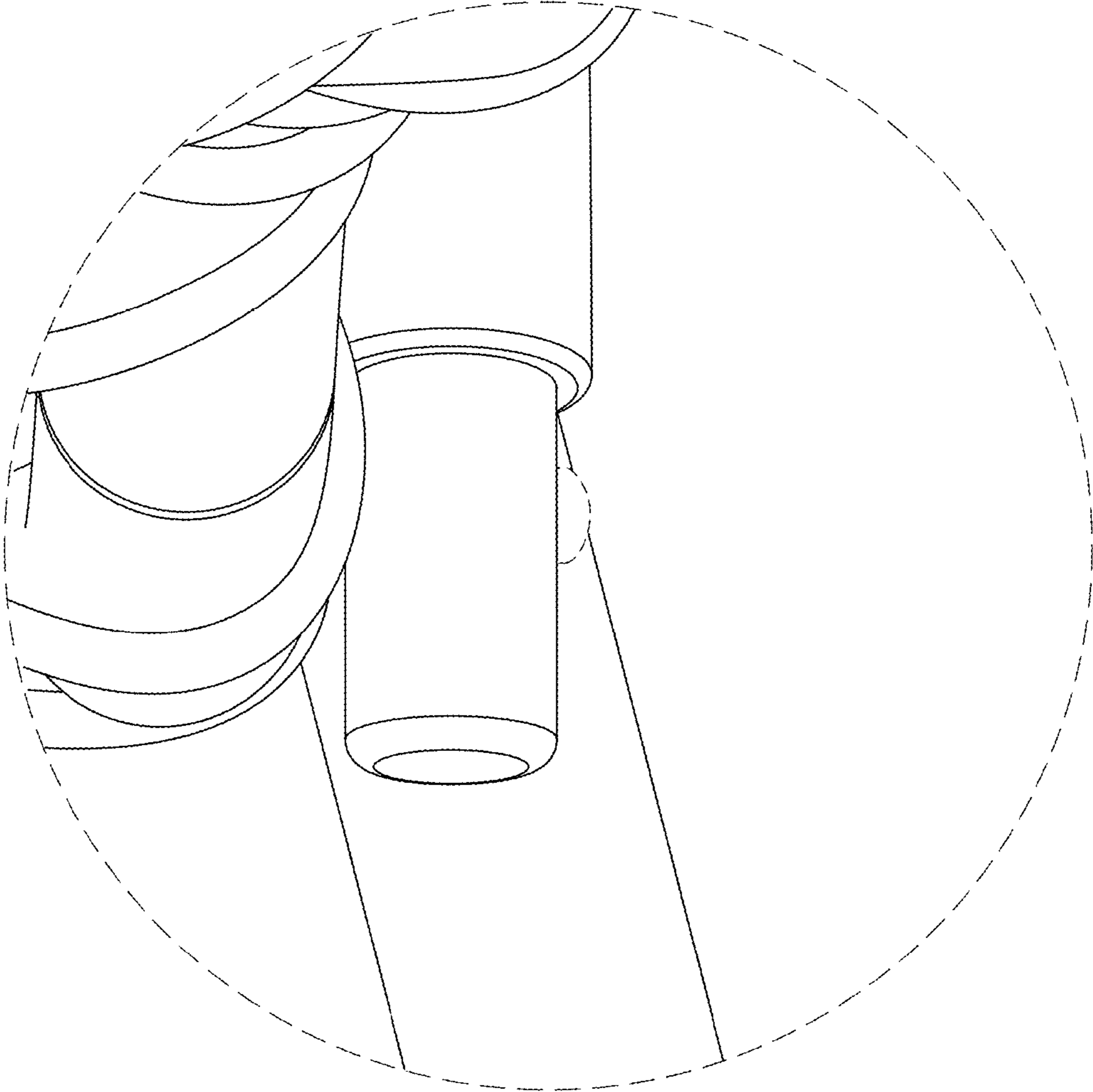


FIG. 12

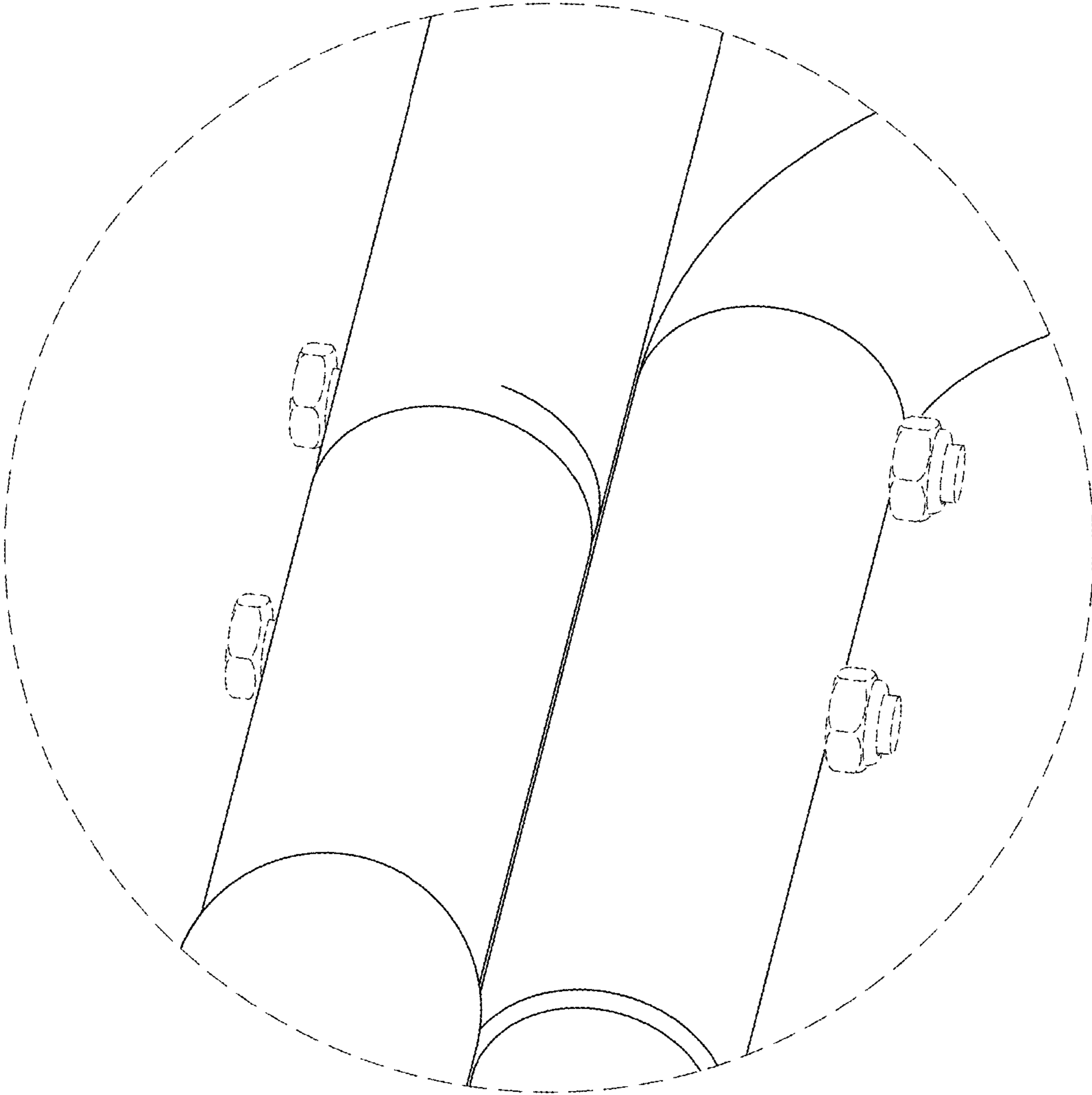


FIG. 13

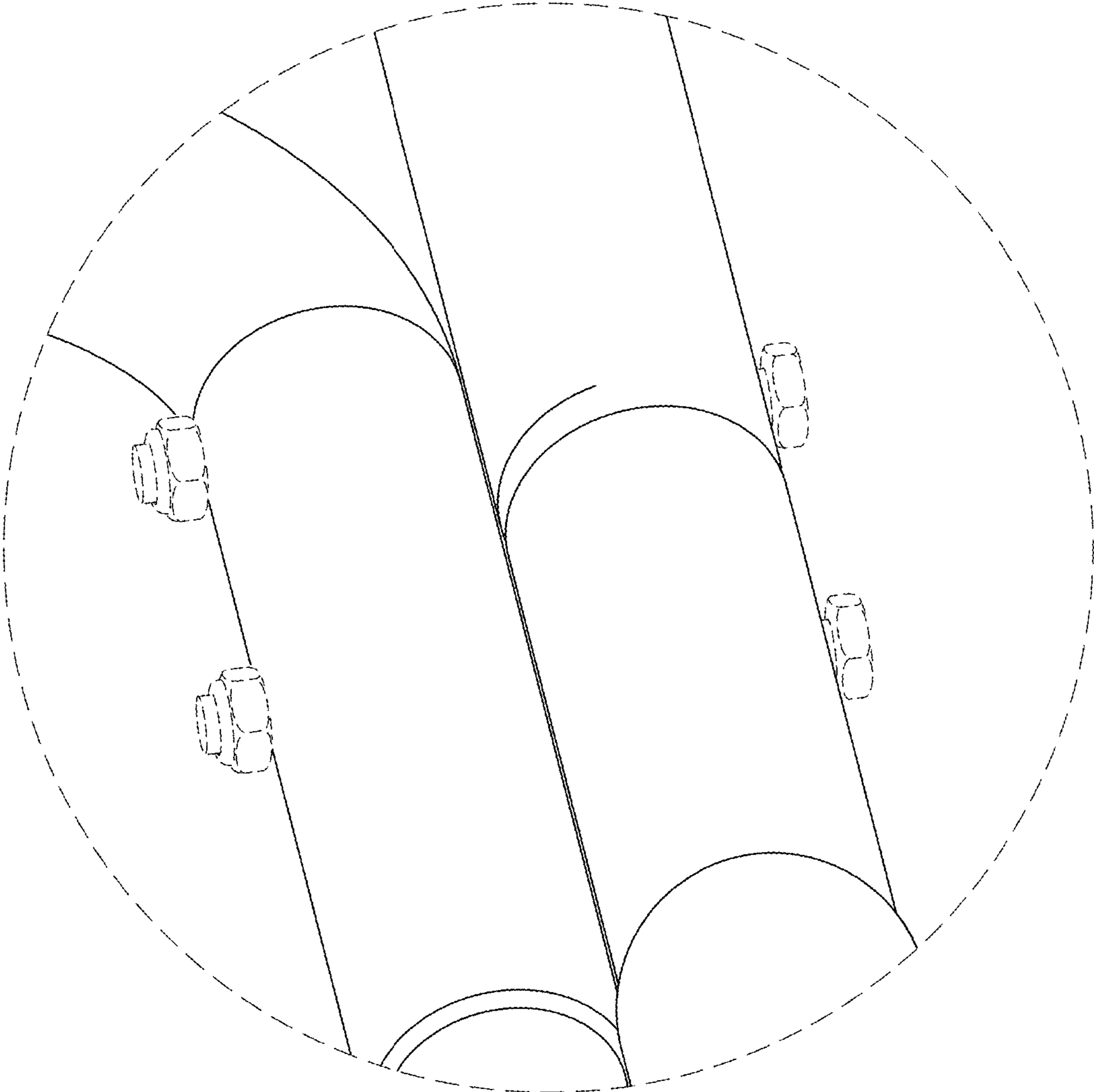


FIG. 14



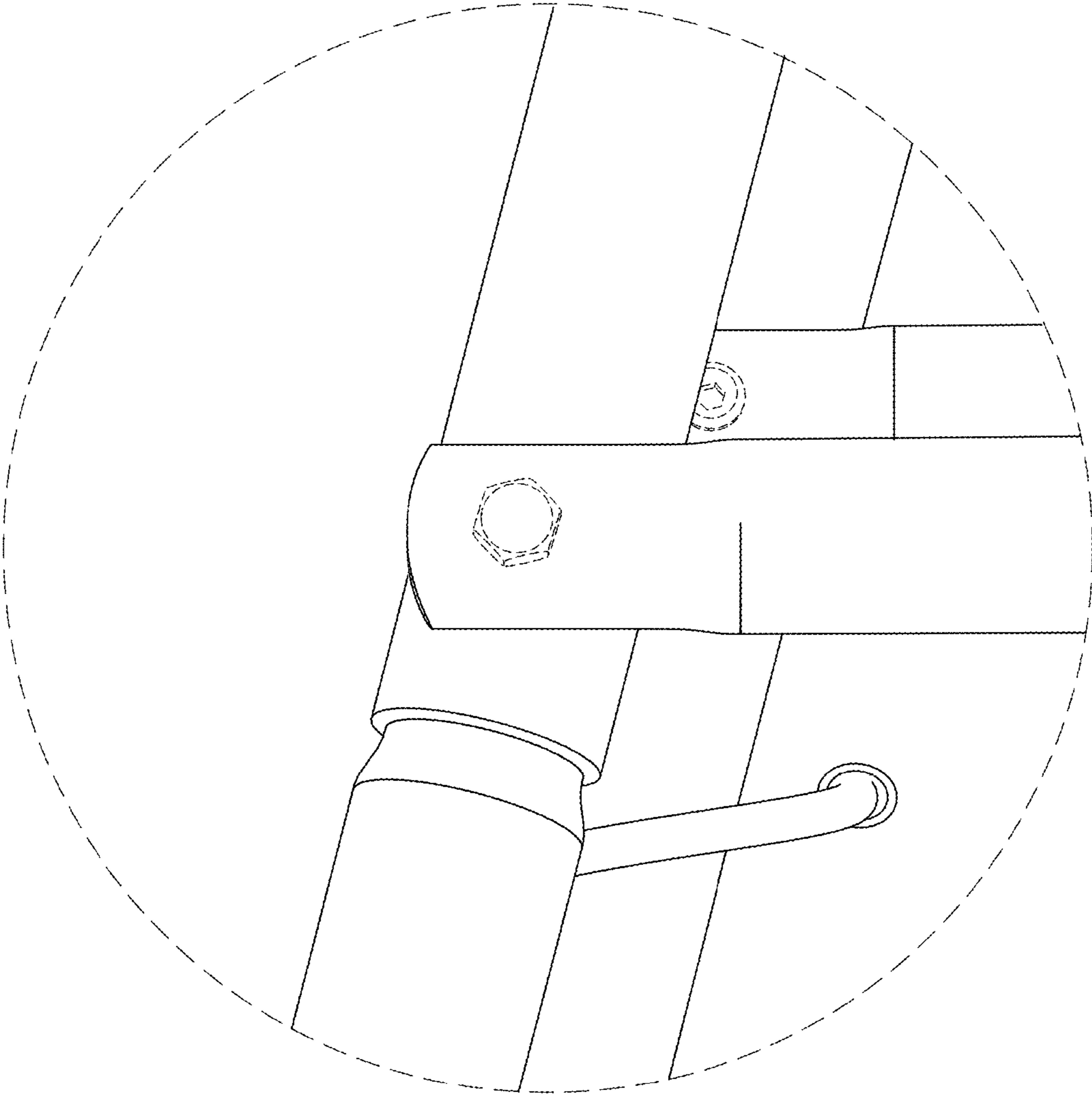


FIG. 15

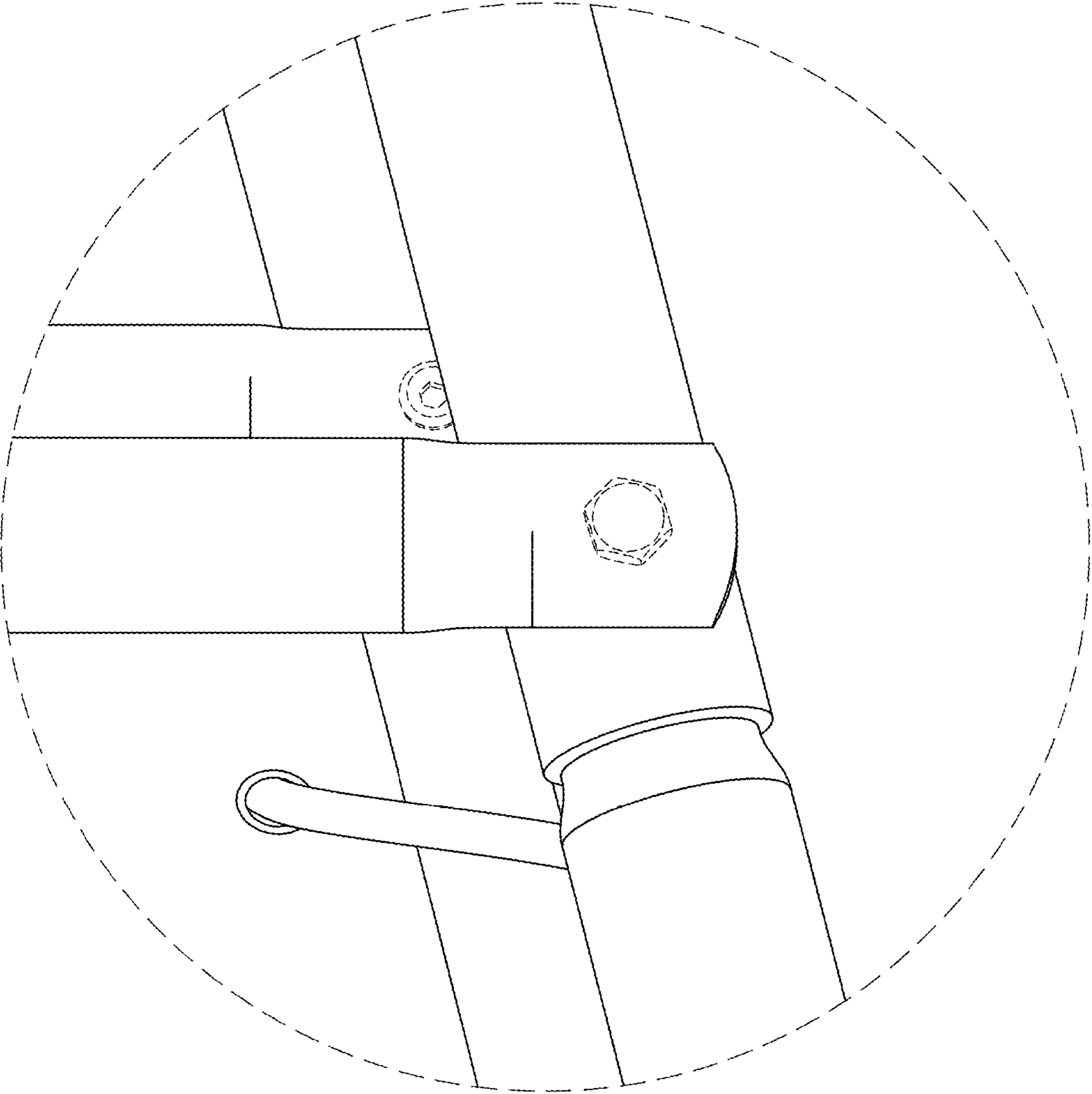


FIG. 16

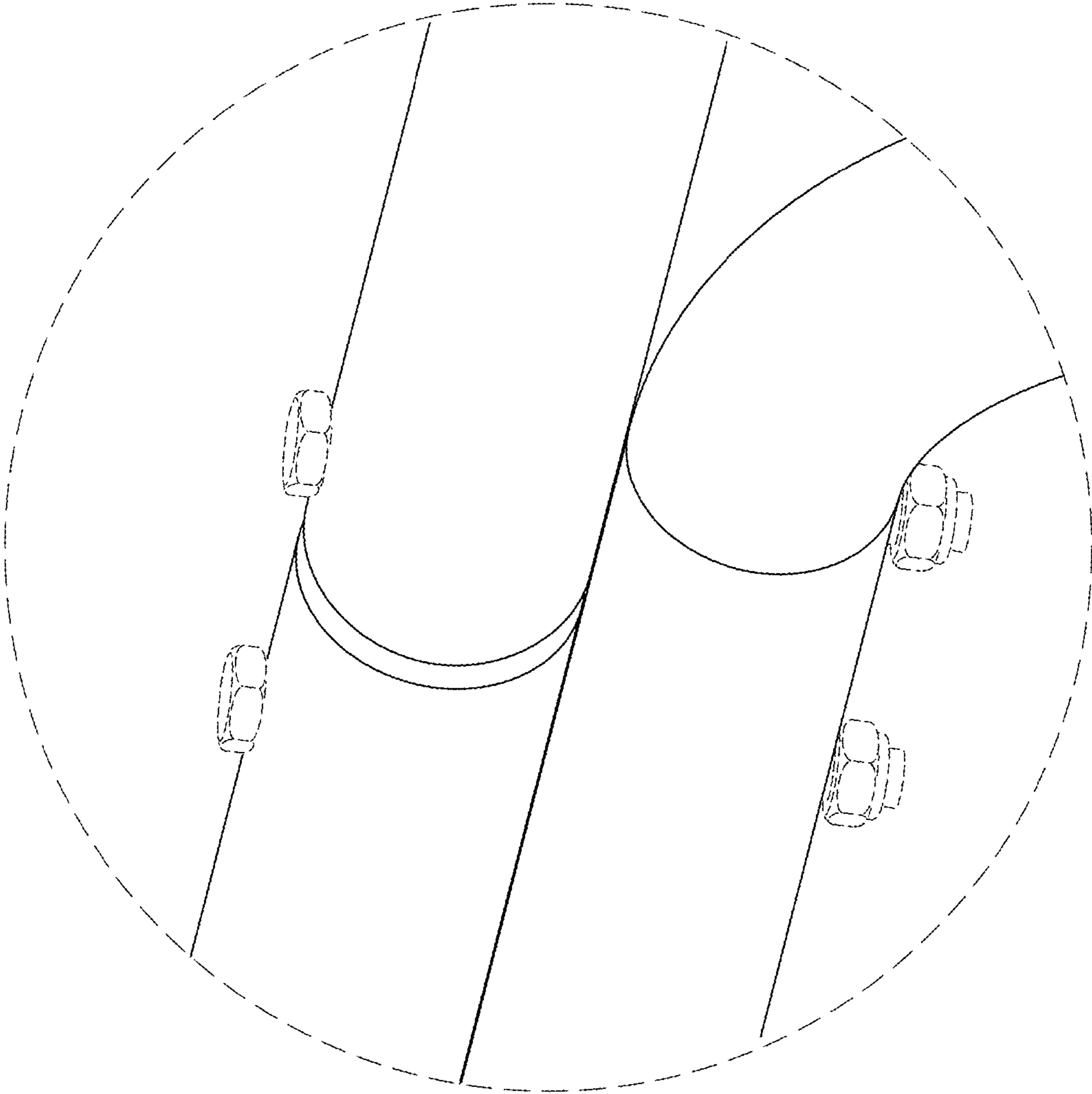


FIG. 17

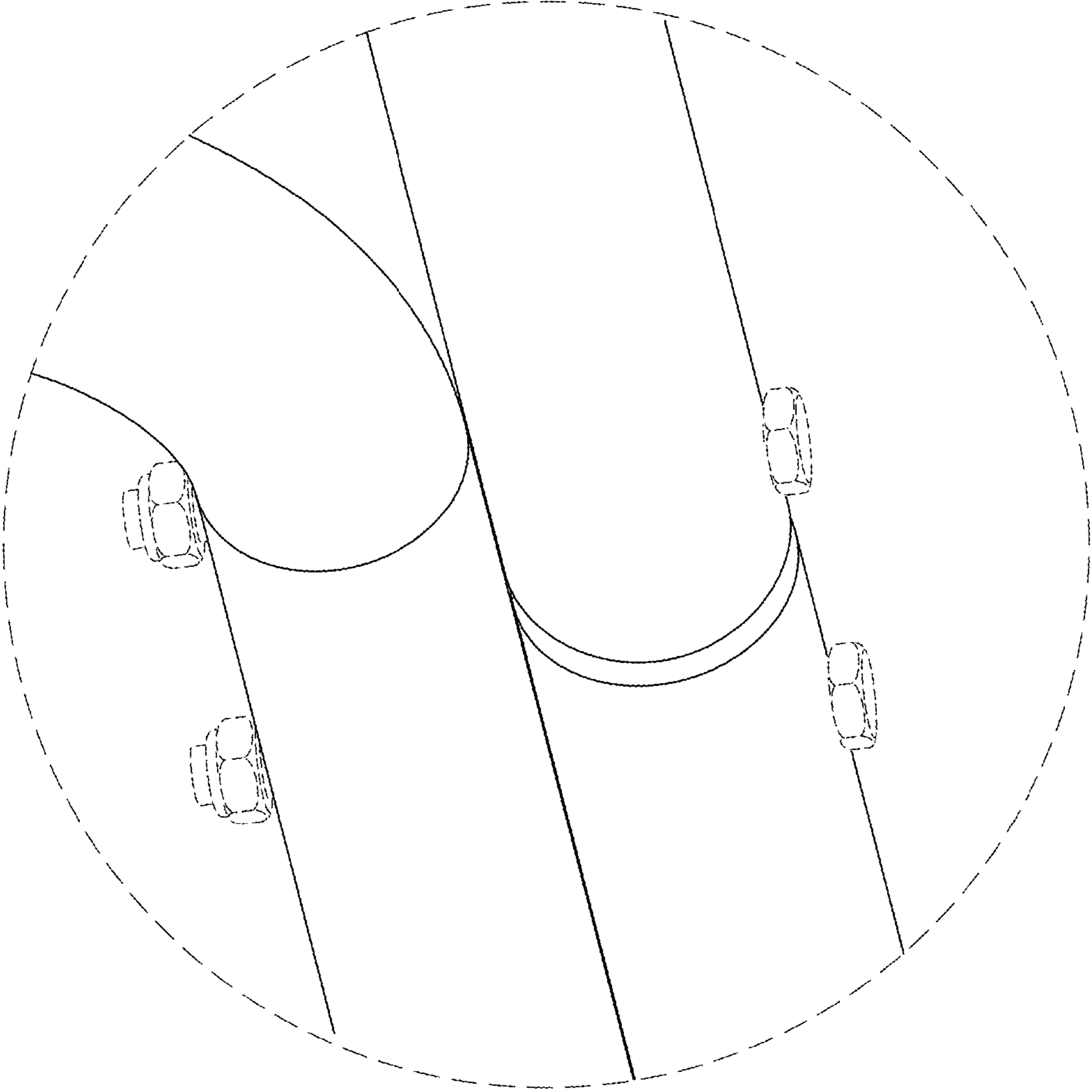


FIG. 18

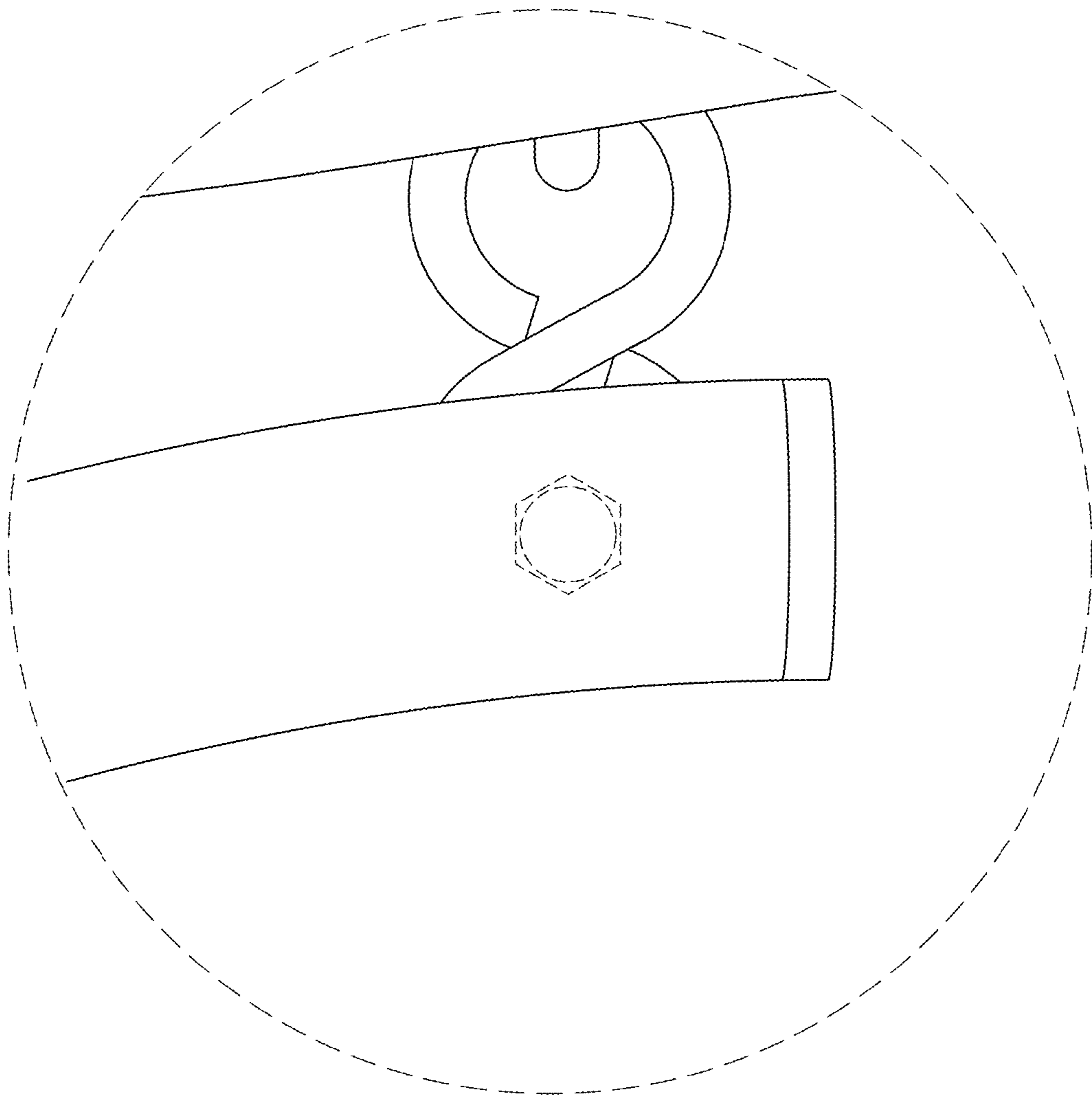


FIG. 19

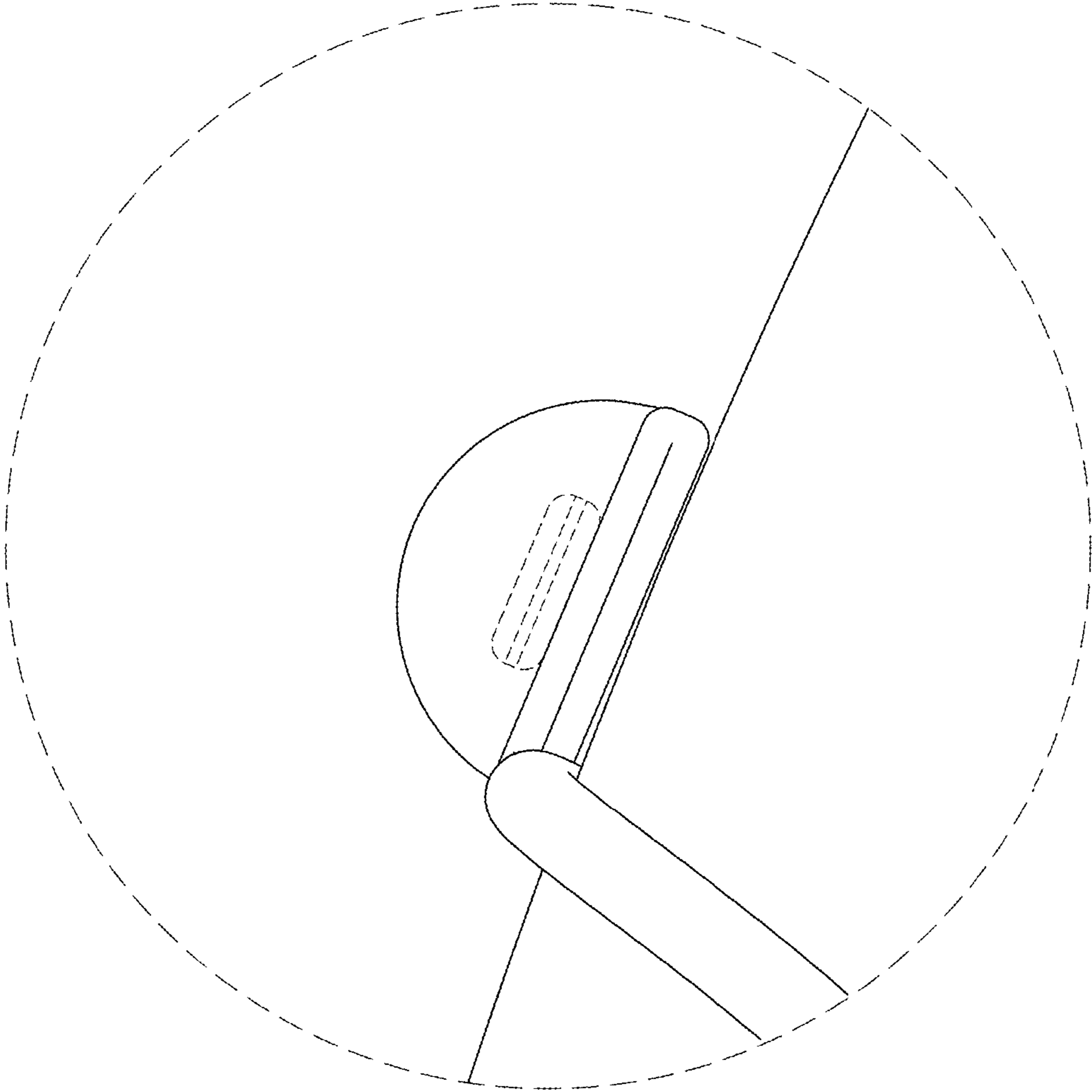


FIG. 20

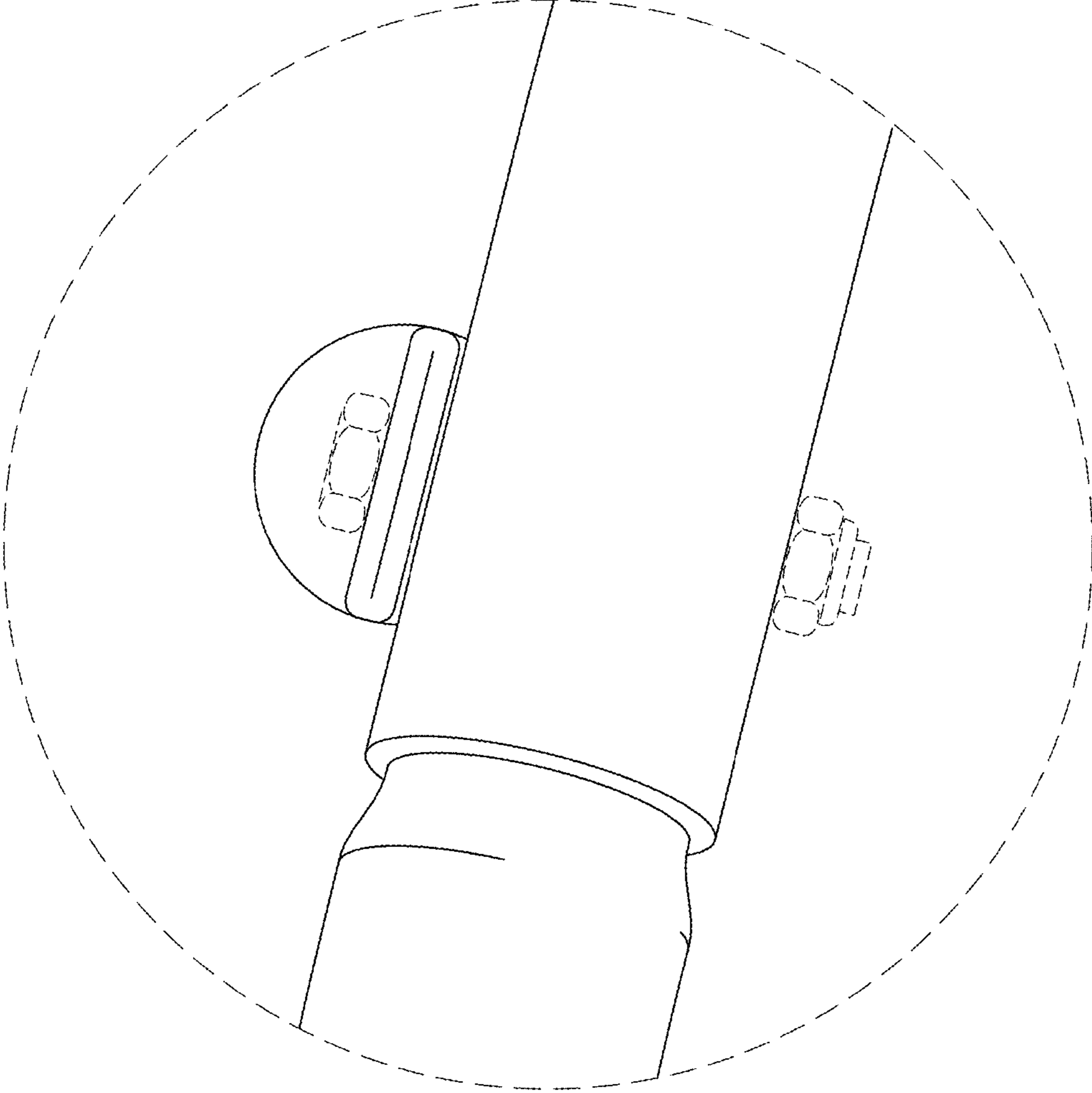


FIG. 21

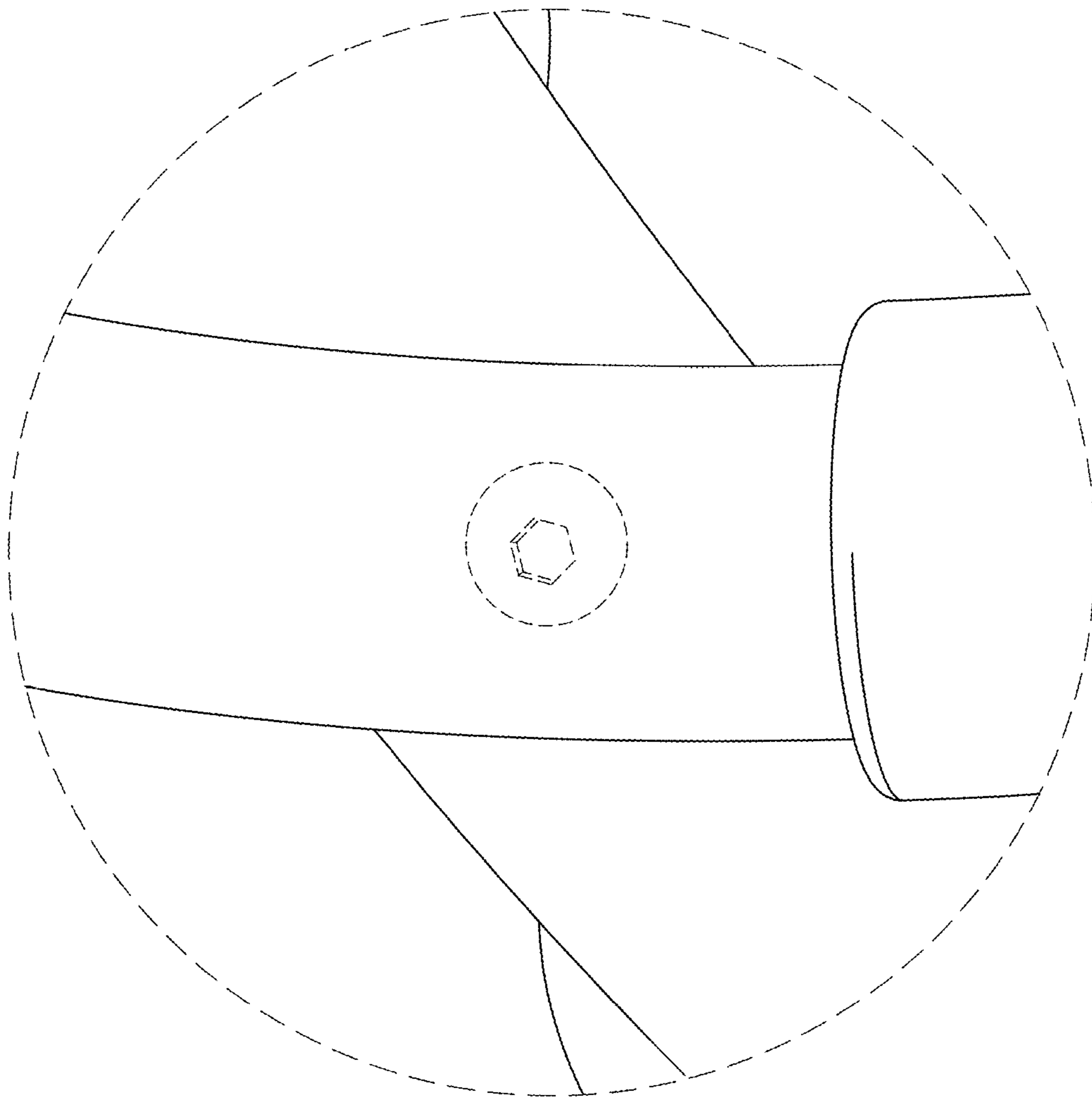


FIG. 22



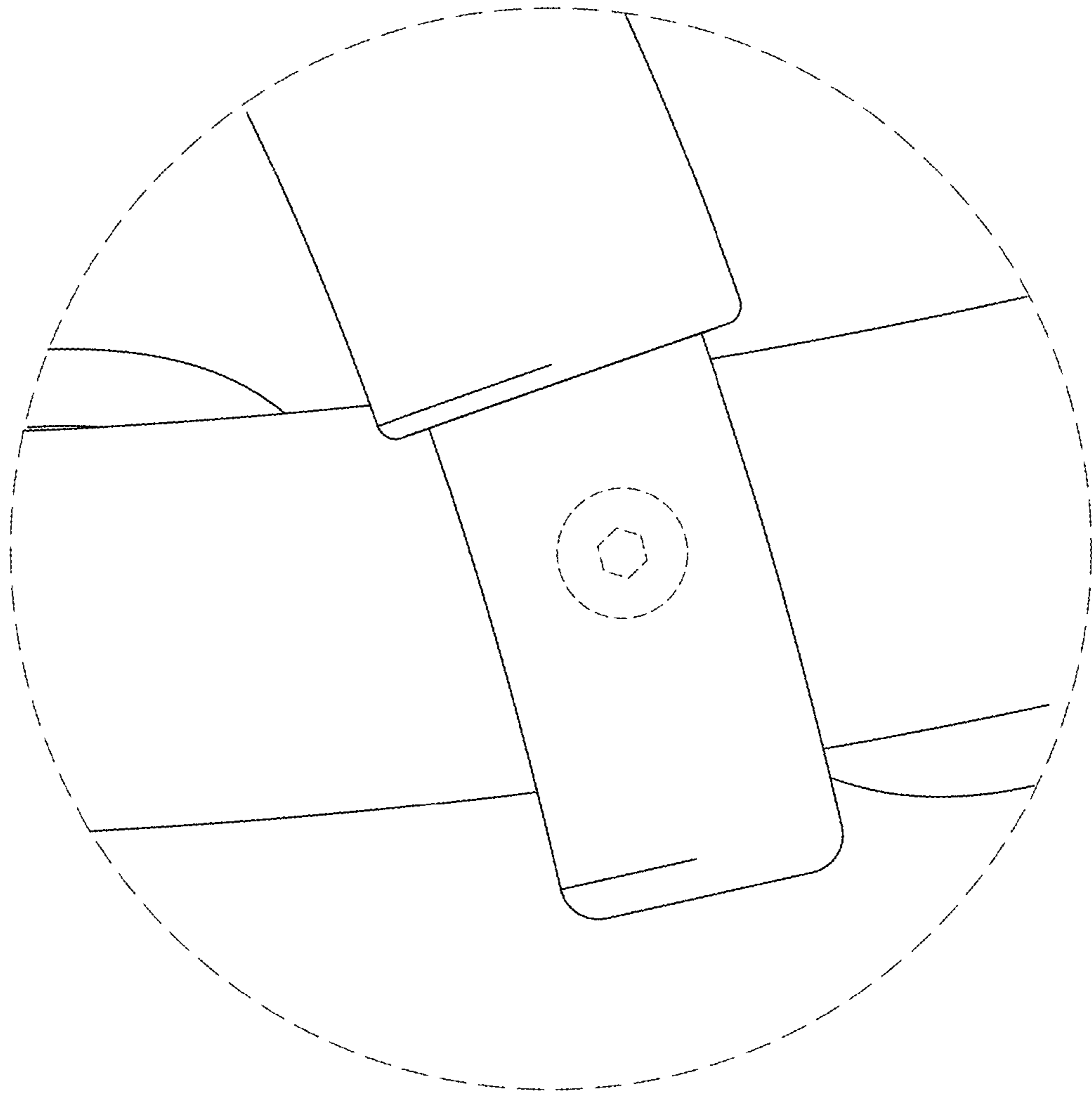


FIG. 23

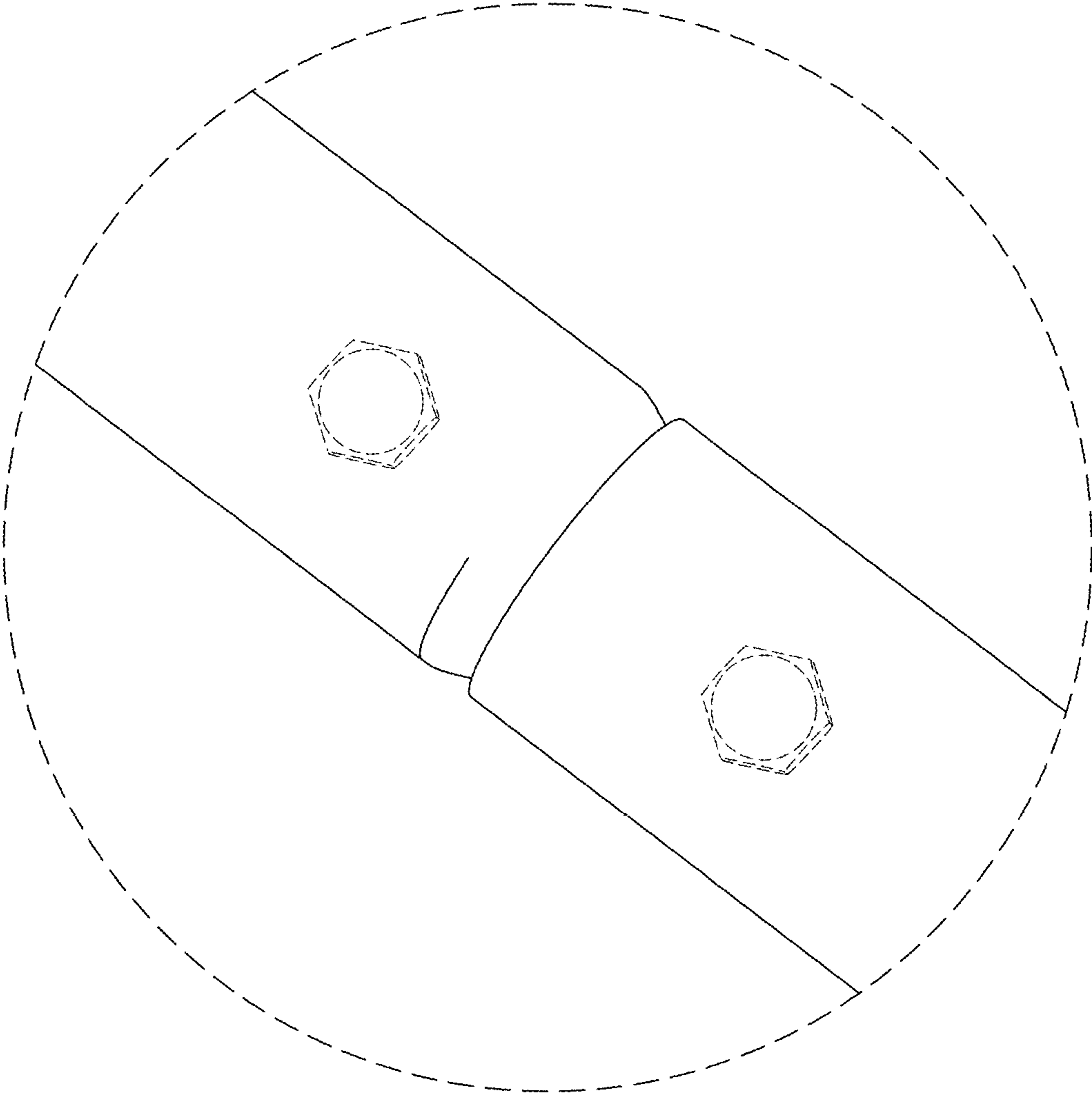


FIG. 24

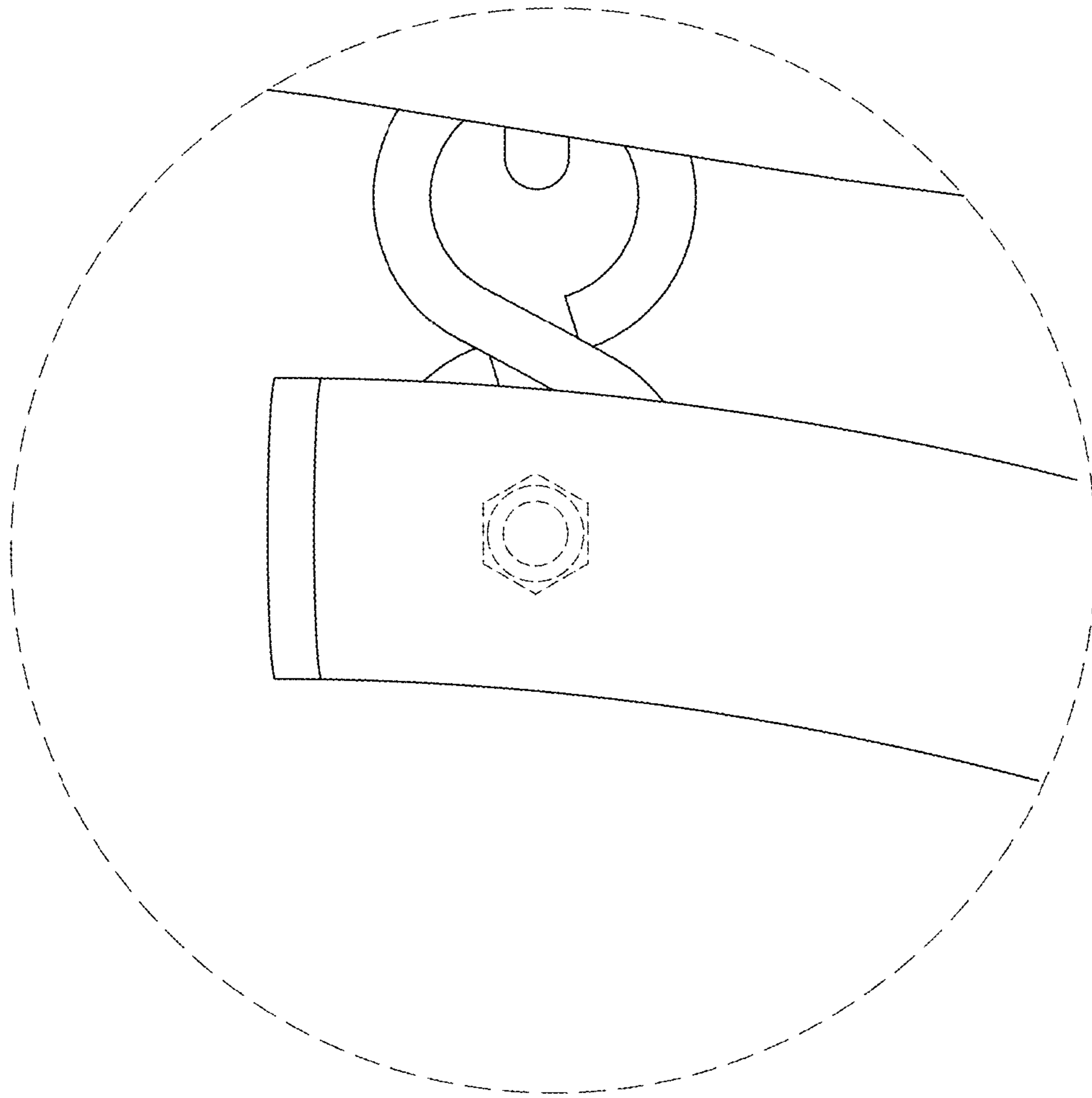


FIG. 25

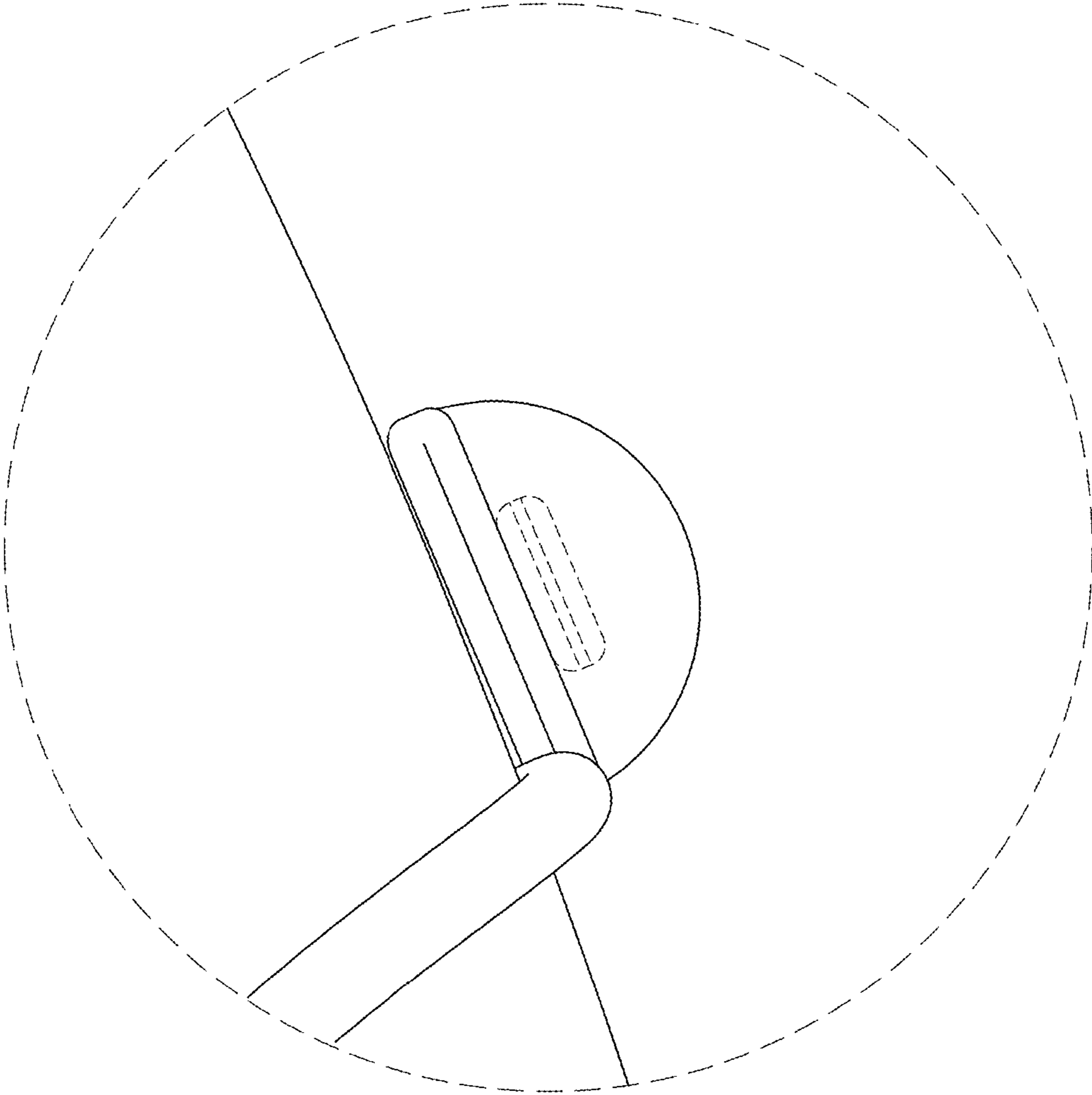


FIG. 26

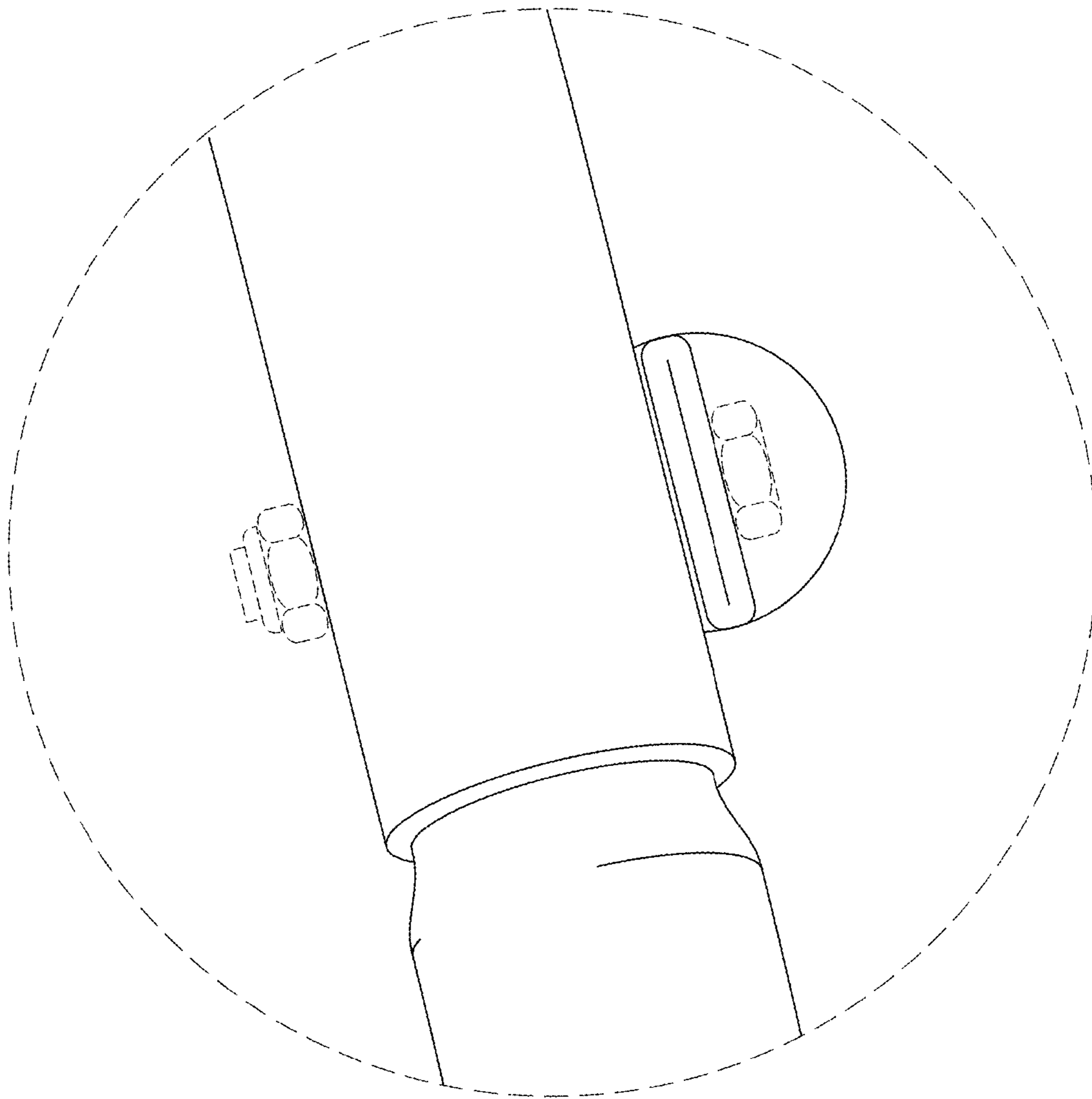


FIG. 27

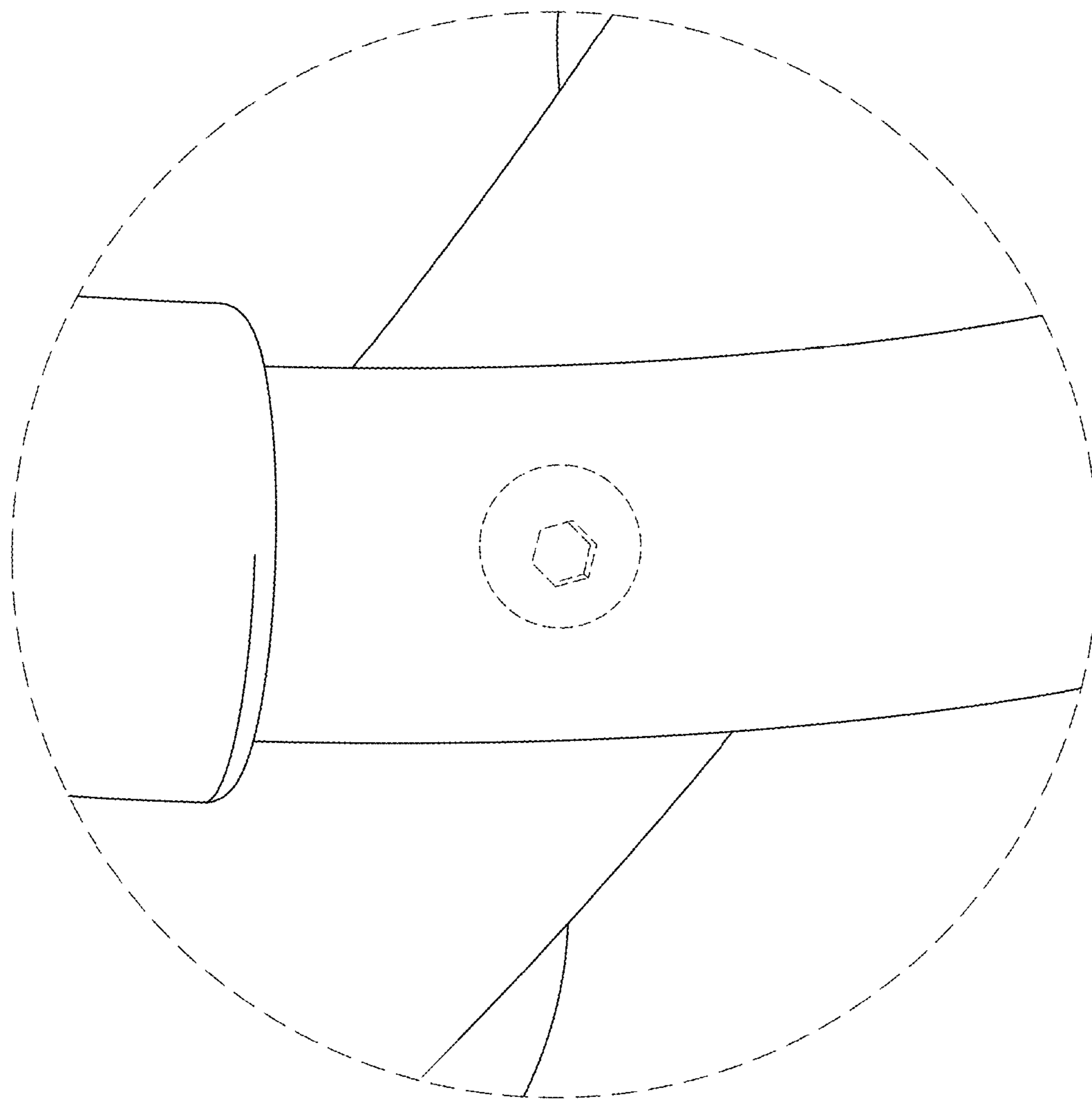


FIG. 28

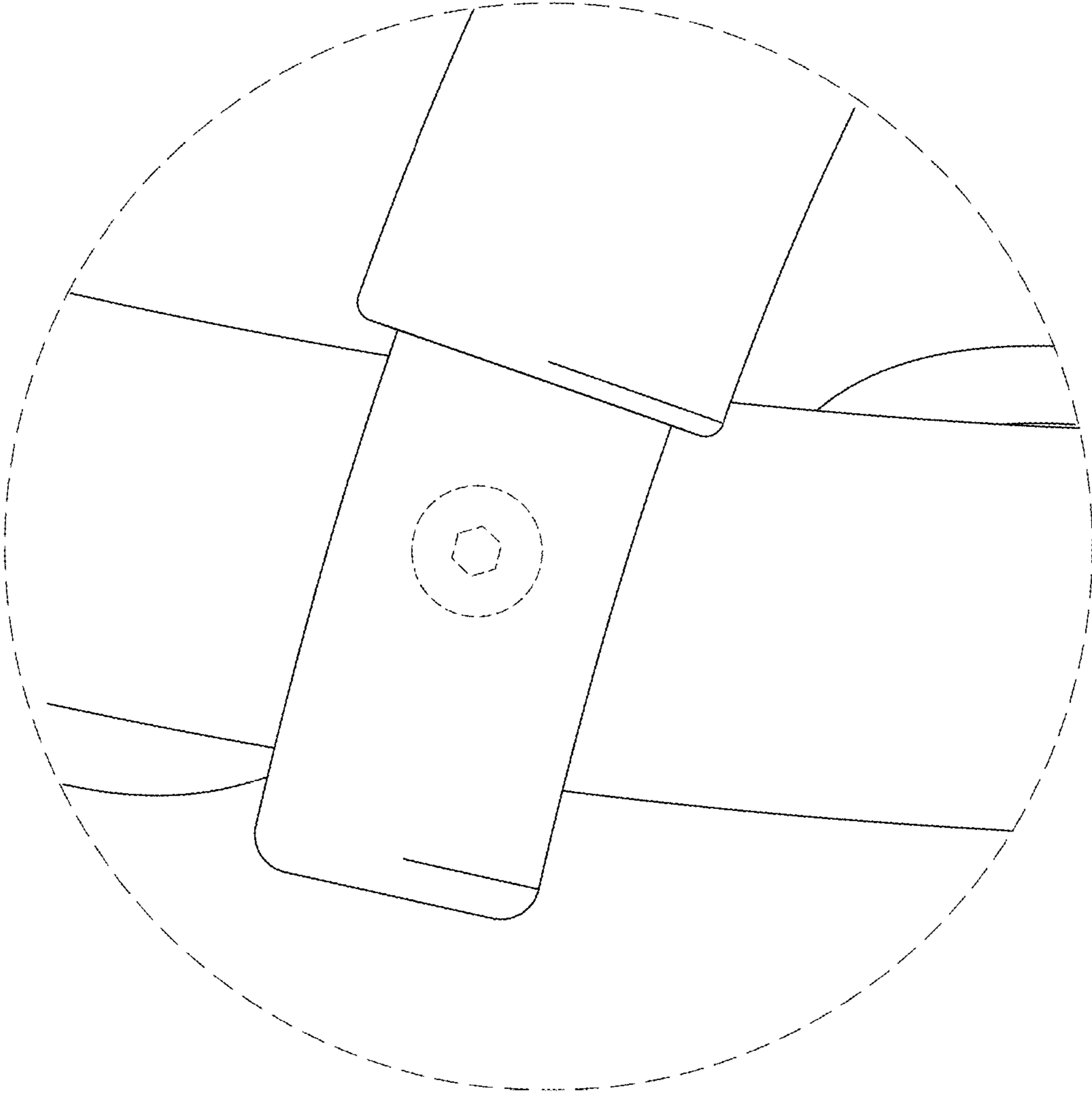


FIG. 29

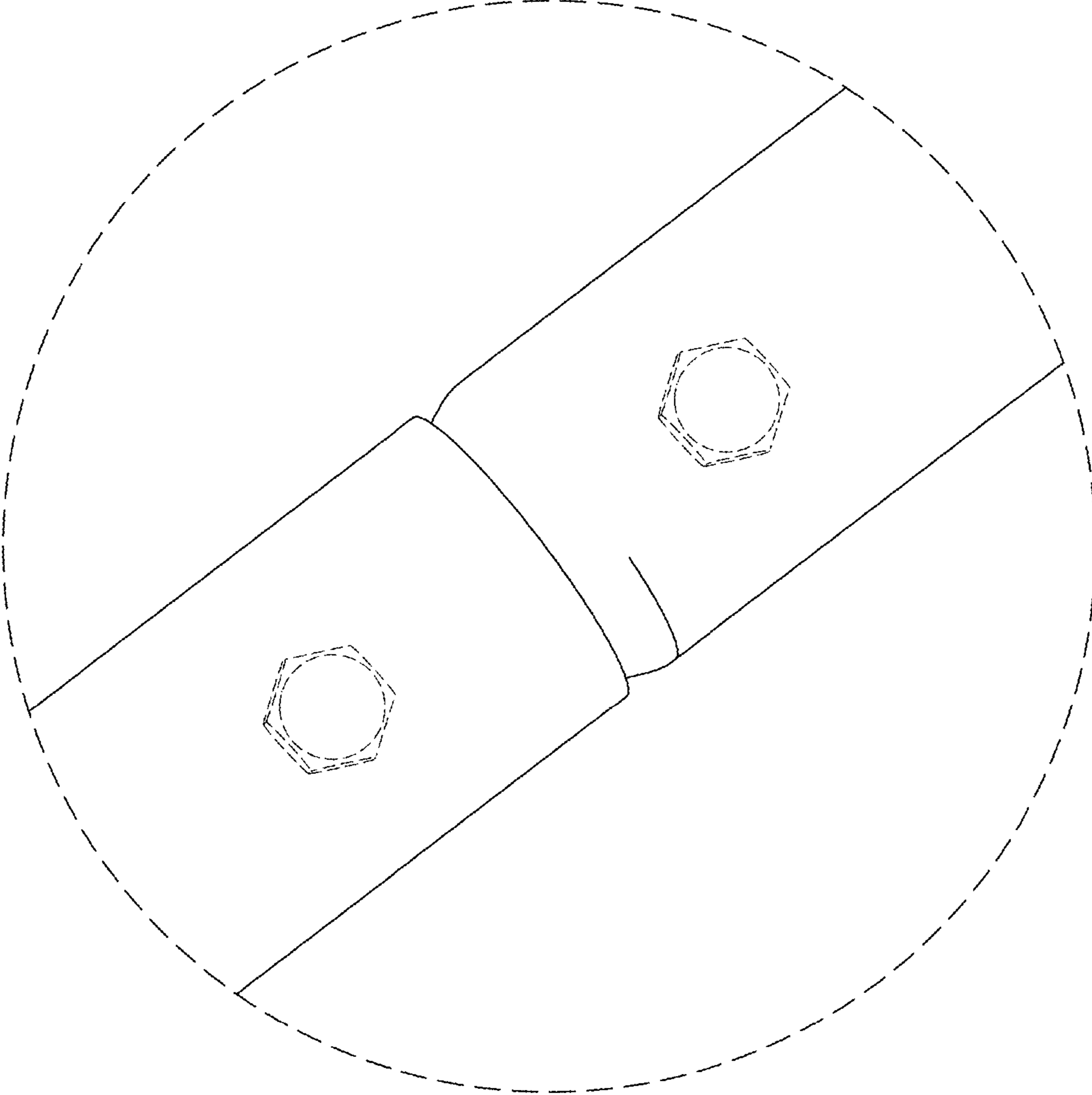


FIG. 30



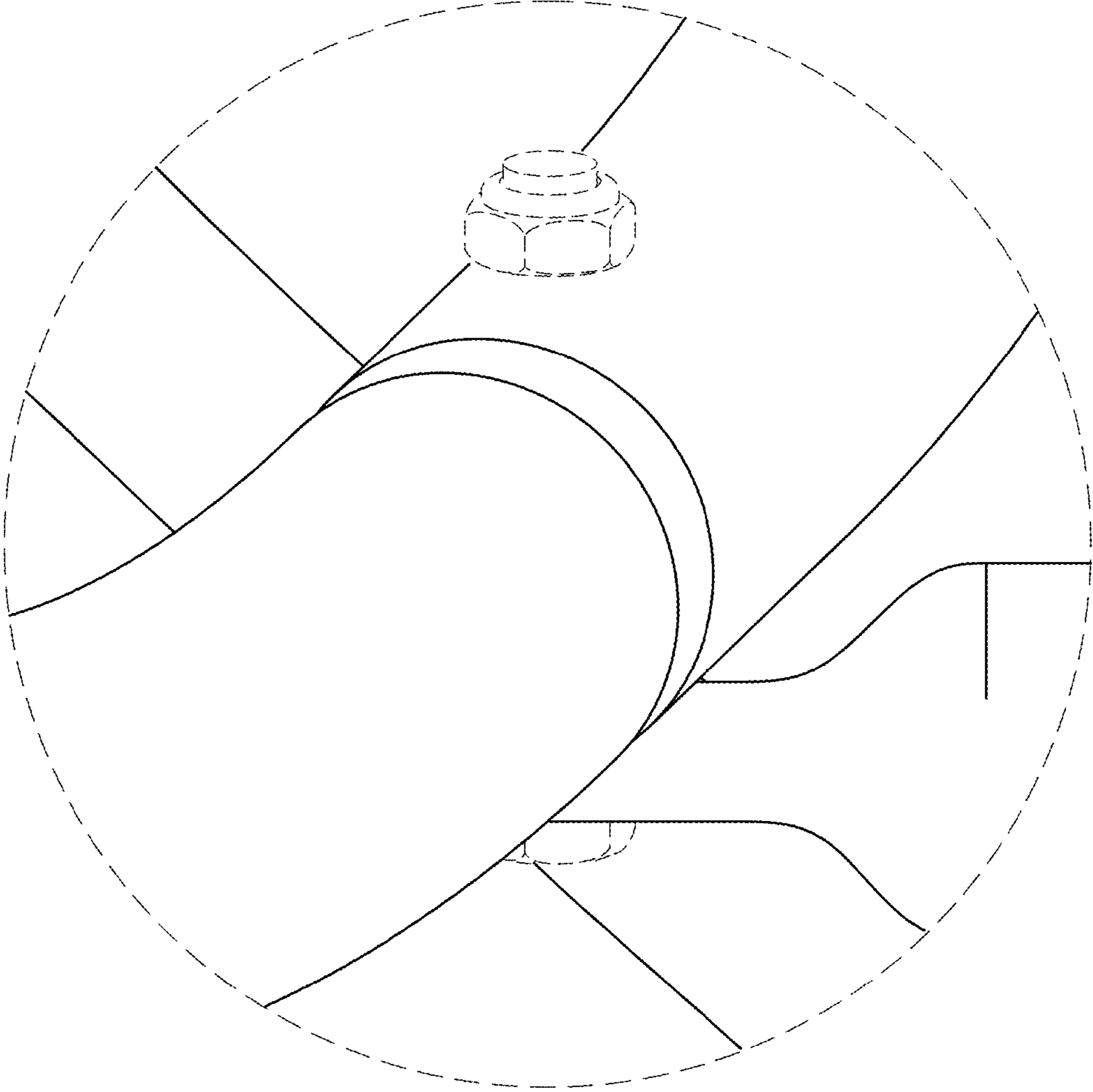


FIG. 31

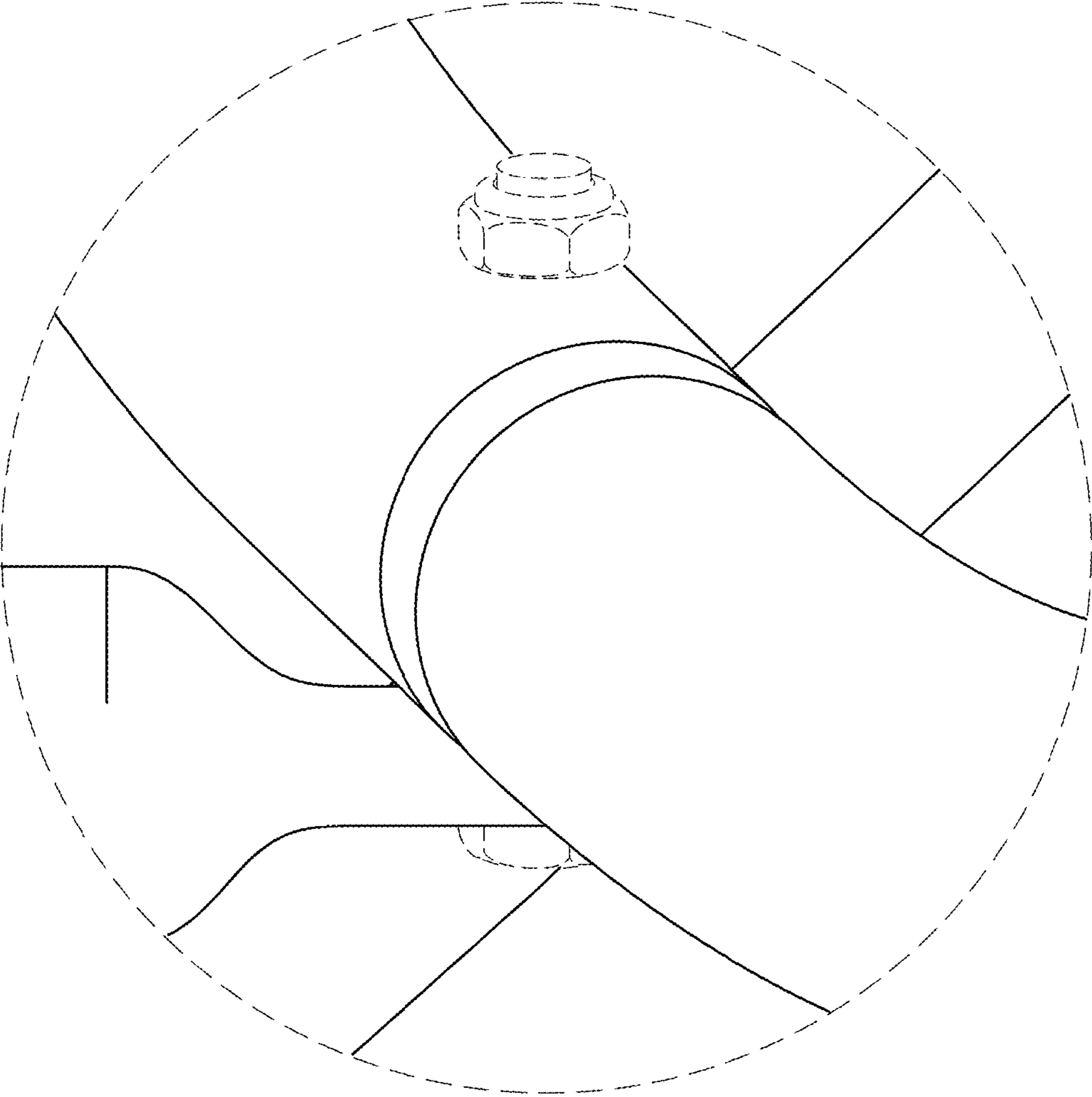


FIG. 32

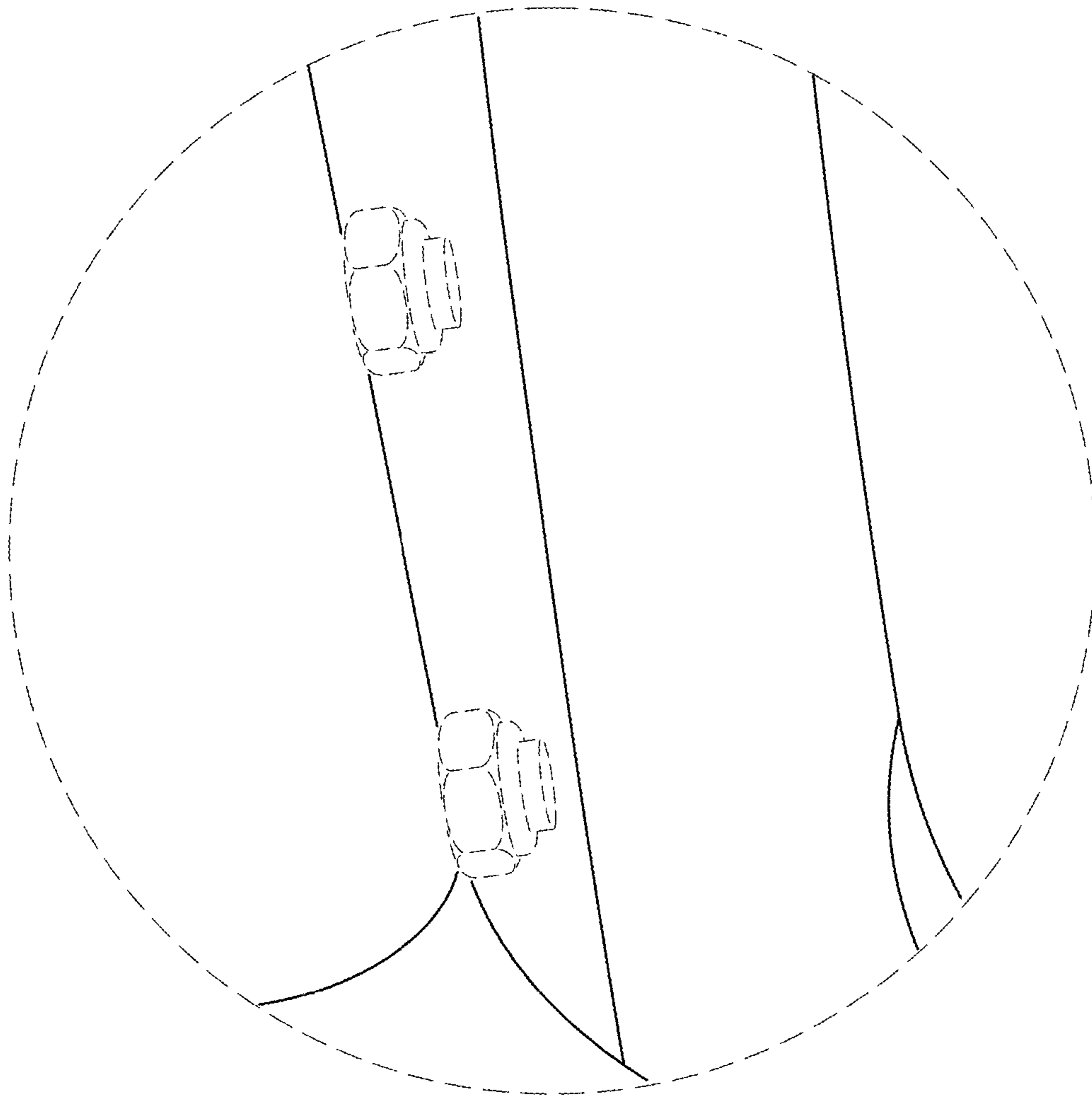


FIG. 33

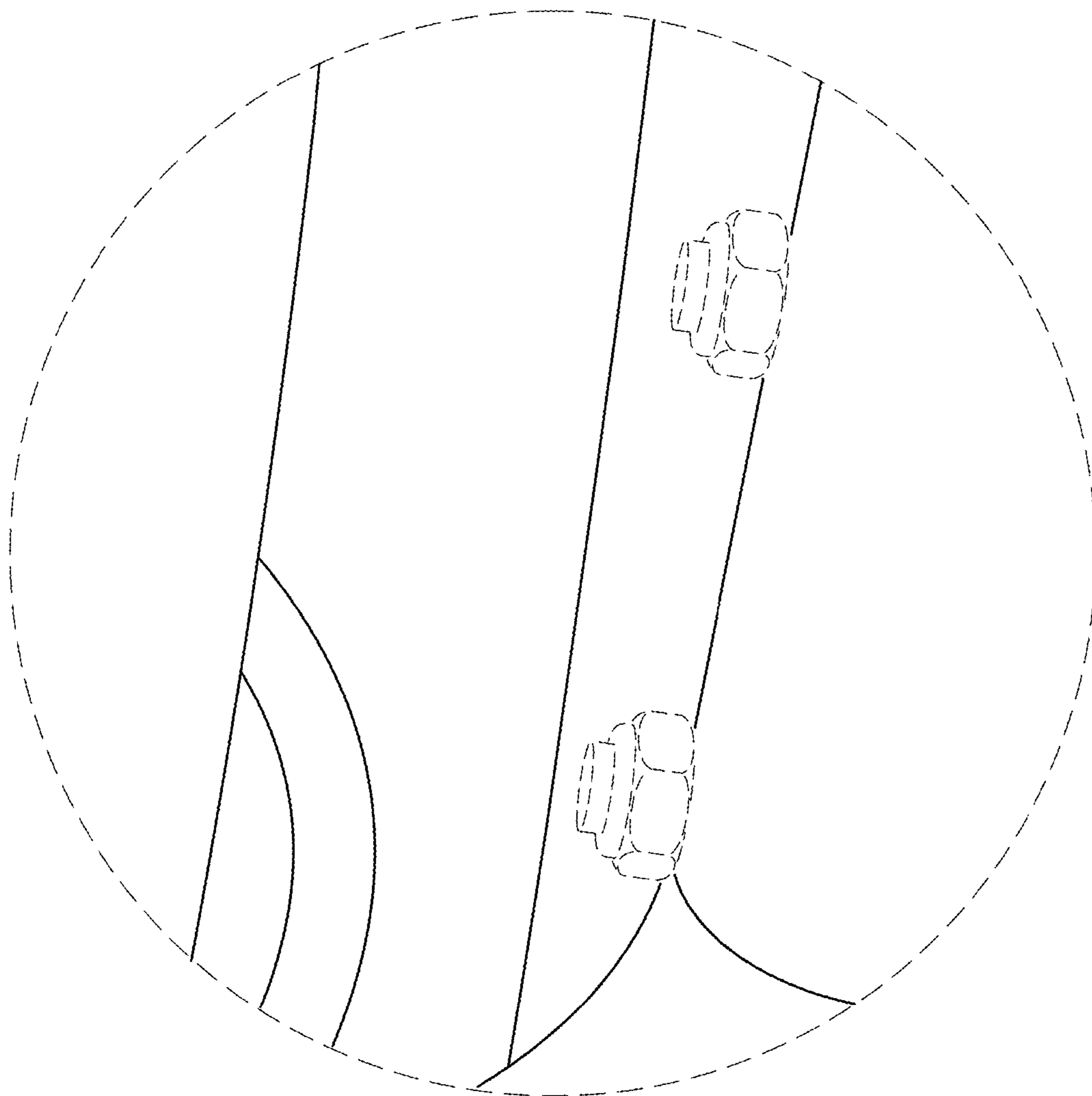


FIG. 34

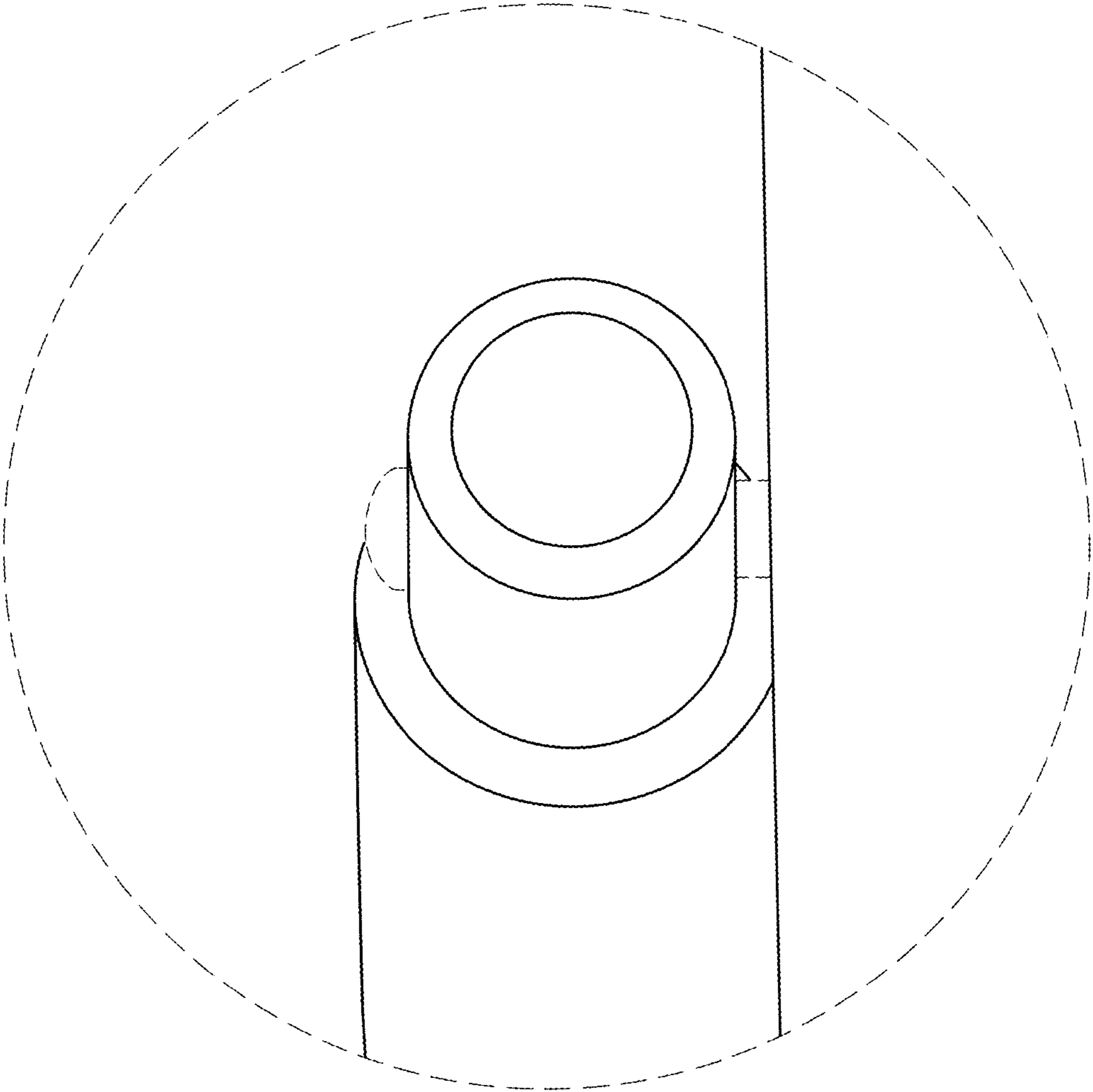


FIG. 35

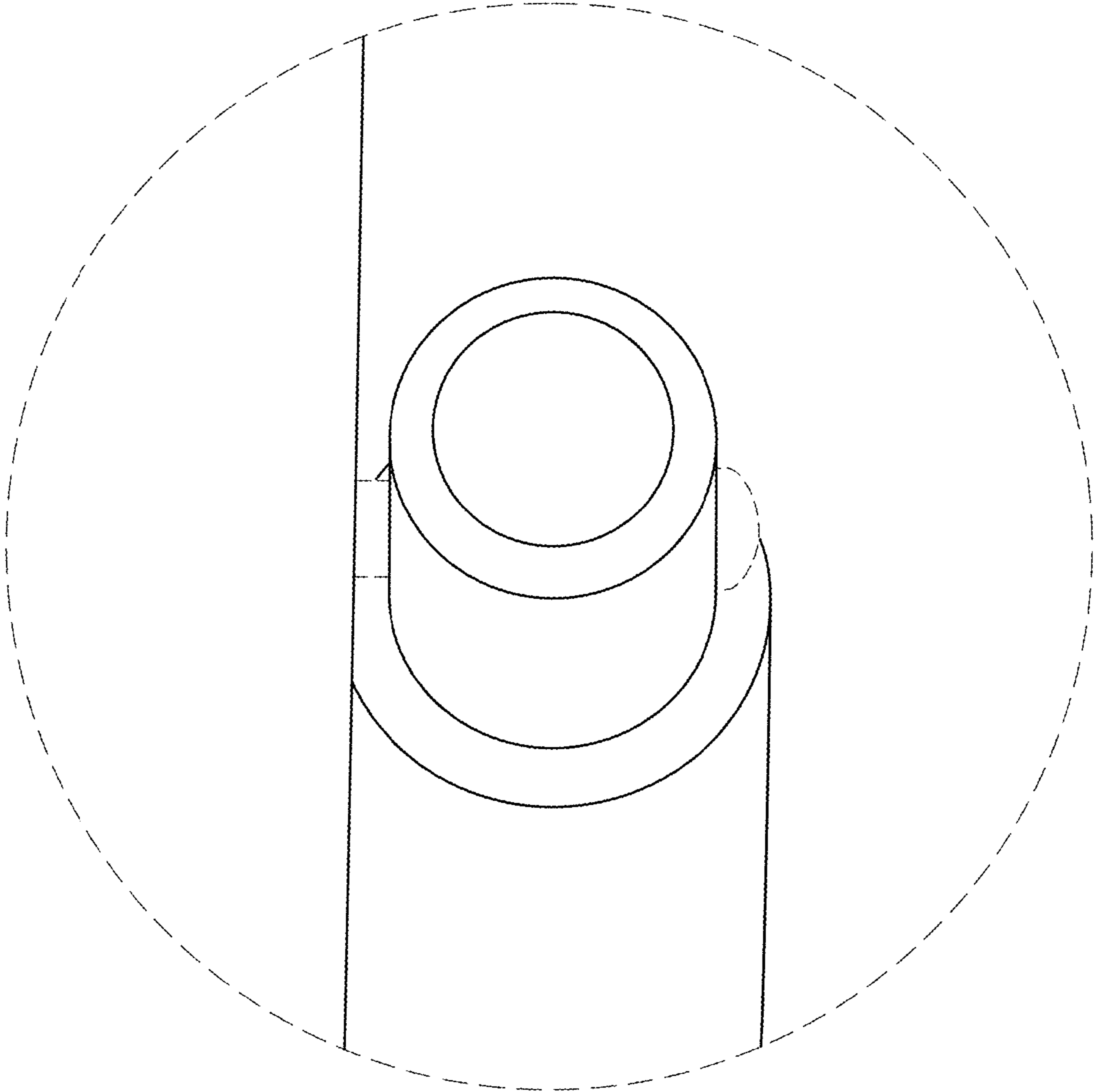


FIG. 36

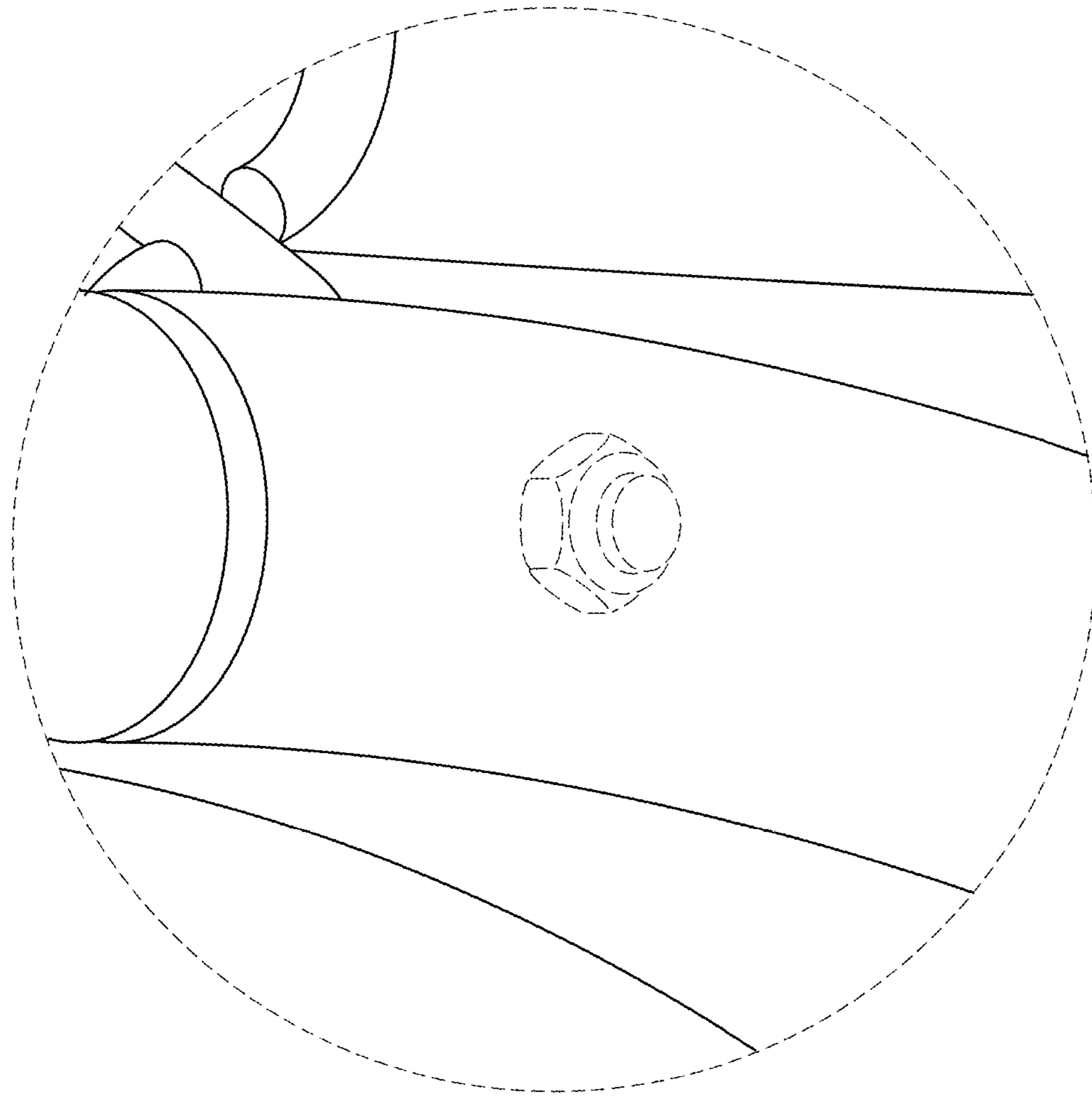


FIG. 37

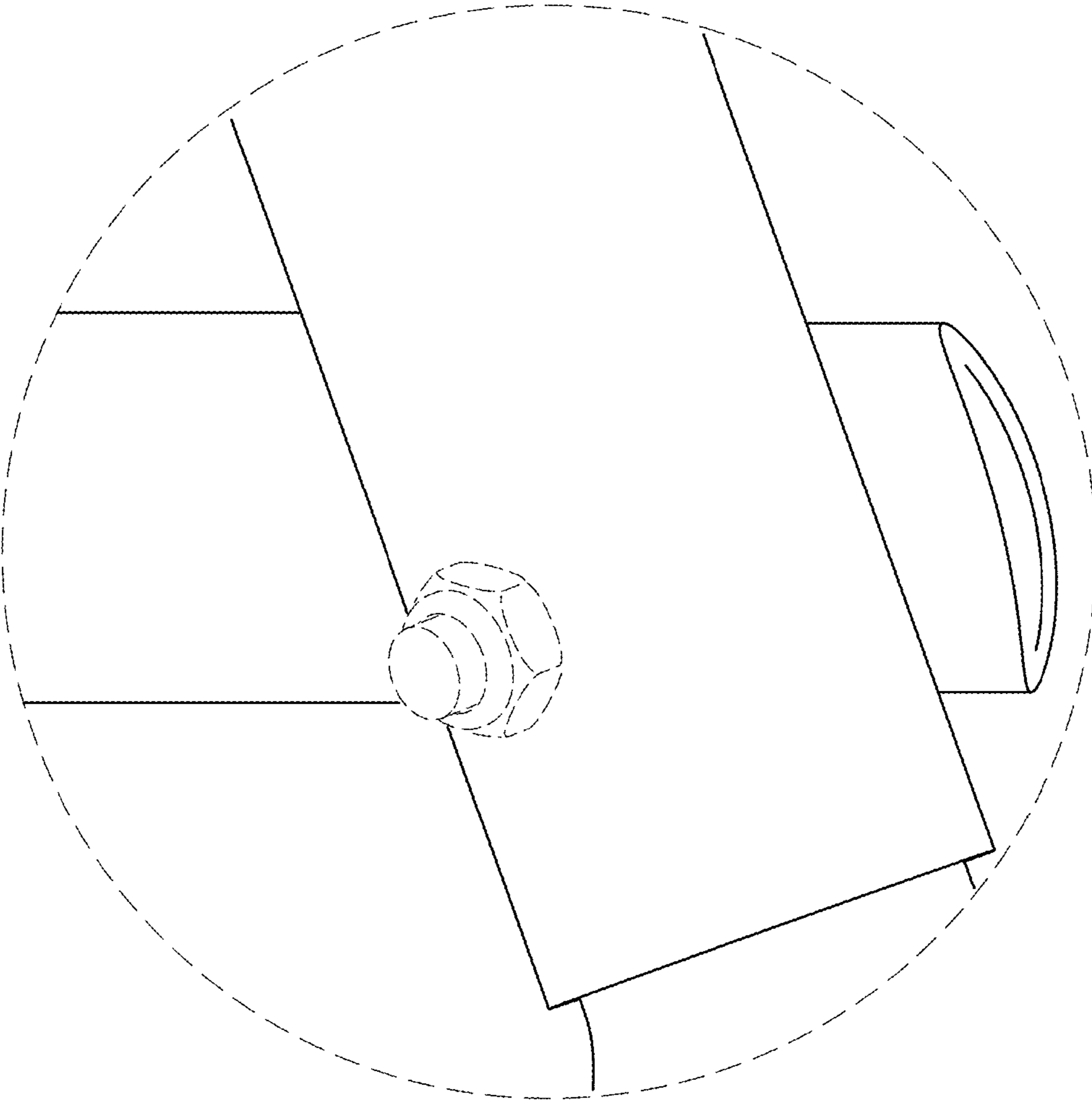


FIG. 38



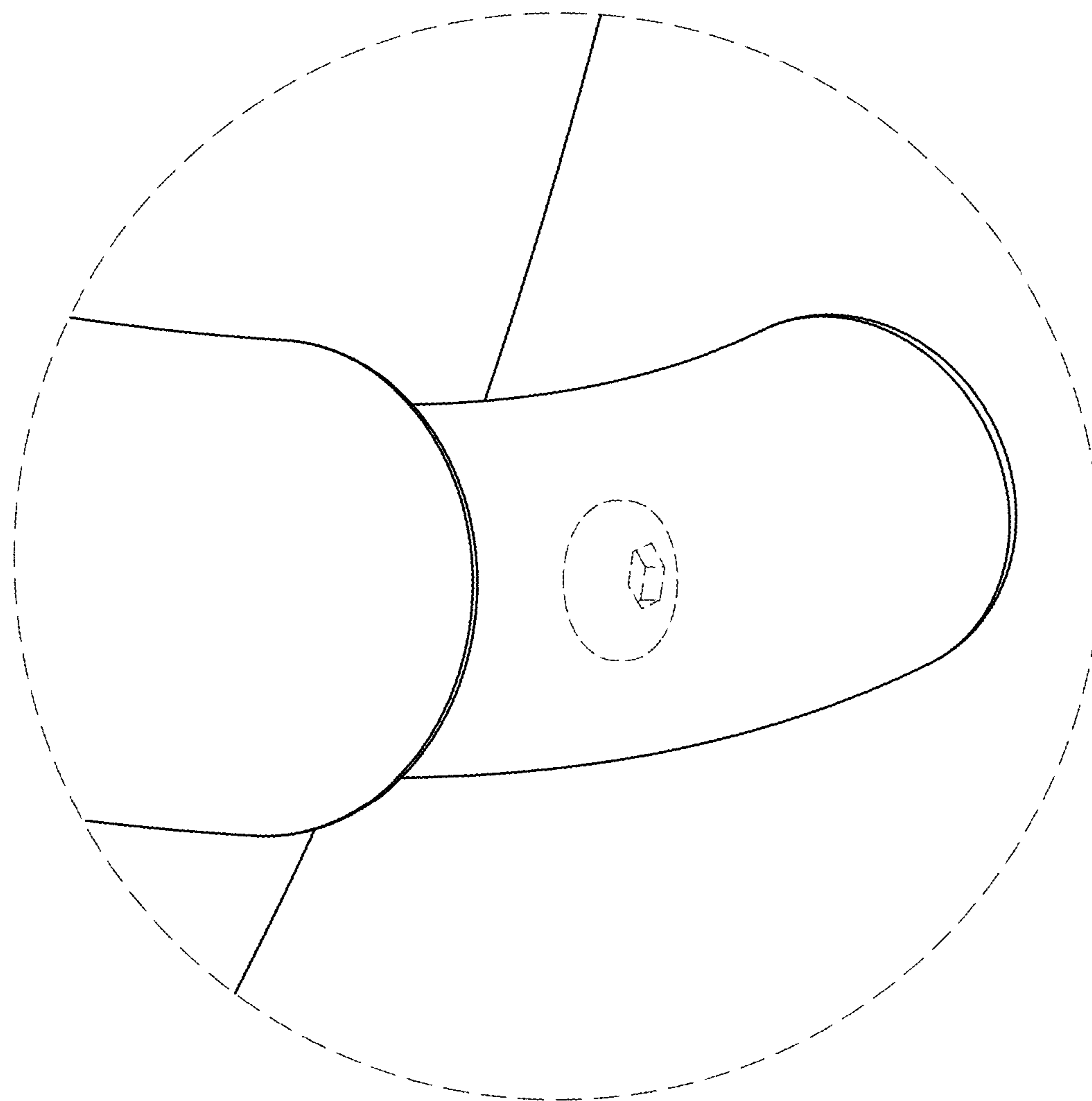


FIG. 39

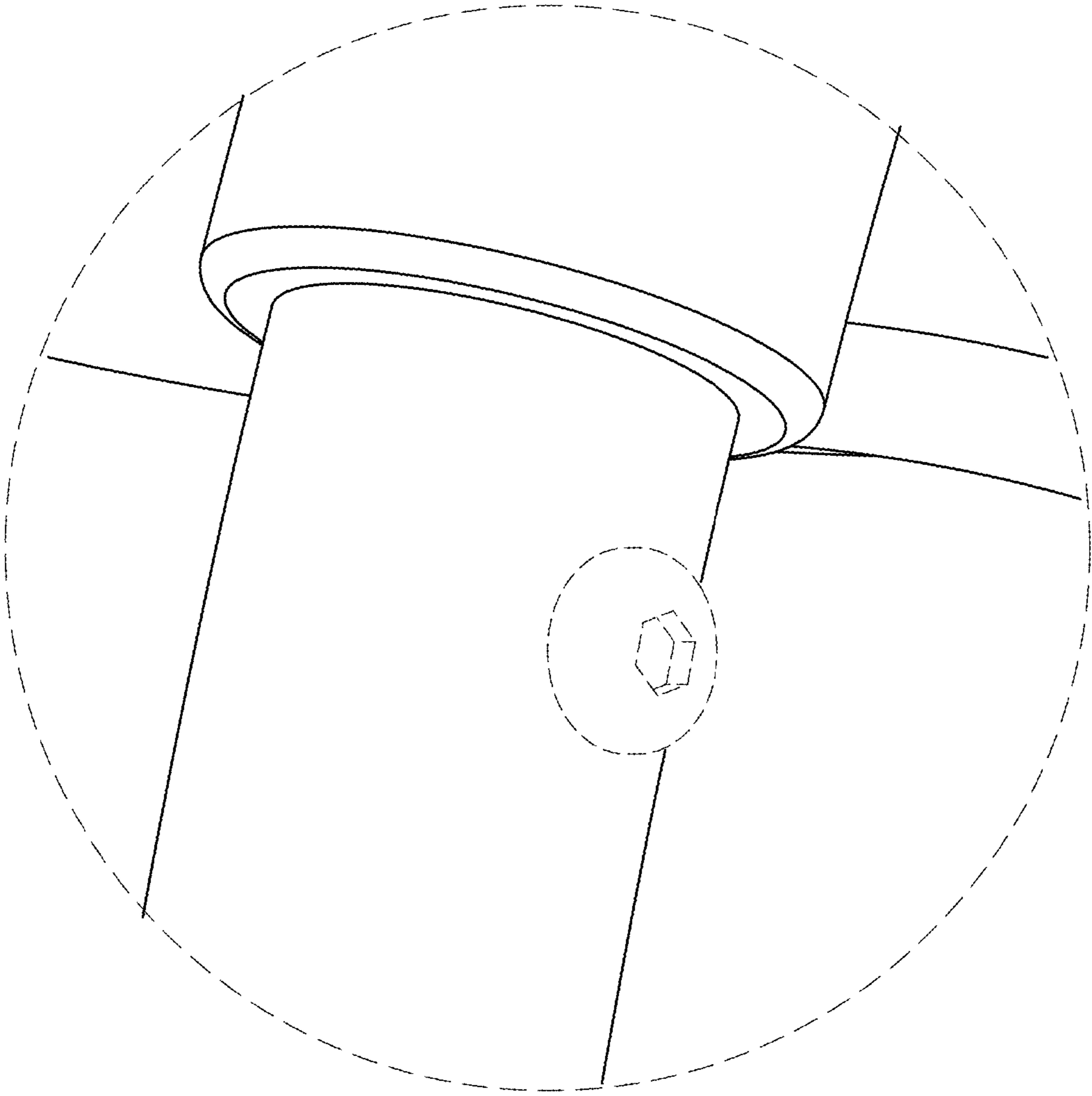


FIG. 40

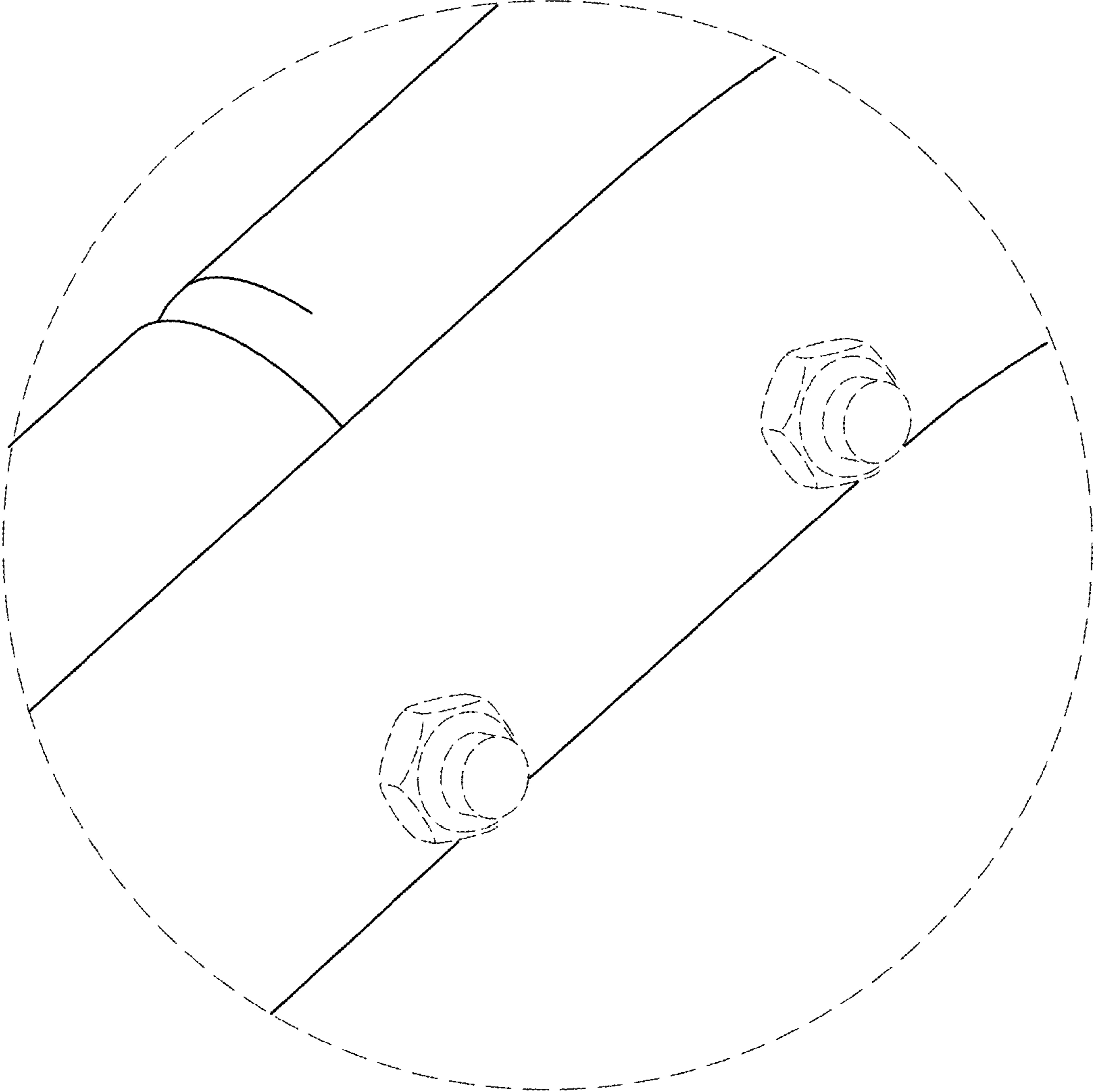


FIG. 41

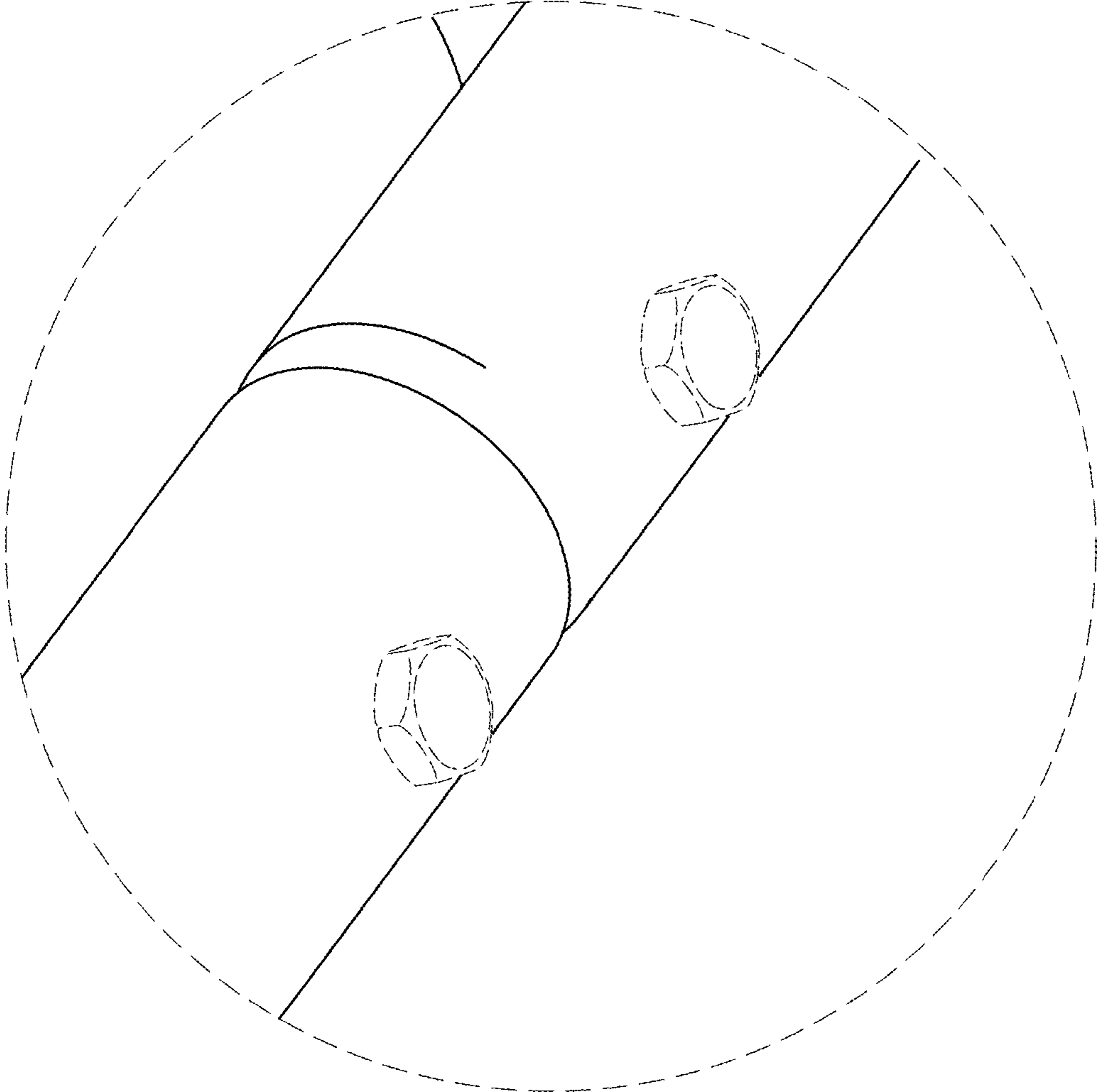


FIG. 42