



US00D771955S

(12) **United States Design Patent** (10) **Patent No.:** **US D771,955 S**
Chitayat et al. (45) **Date of Patent:** **** Nov. 22, 2016**

(54) **UPRIGHT BRUSH**
(71) Applicant: **Genimex Jersey Ltd.**, Shanghai (CN)
(72) Inventors: **David Dennys Chitayat**, Shanghai (CN); **Heather Tomasetti Kauffman**, New York, NY (US); **Pieter Schouten**, Berkeley, CA (US)
(73) Assignee: **FC BRANDS LIMITED**, Central Hong Kong (HK)

2,742,660 A 1/1953 Esley
2,810,150 A 1/1953 Ellman
2,860,359 A 8/1955 James
D202,874 S * 11/1965 Luedtke D4/114
D226,462 S * 3/1973 Gibbs D4/114
3,775,017 A 11/1973 Jerry
3,847,151 A 11/1974 D'Alessandro et al.
D281,123 S * 10/1985 Frassanito D4/114
4,934,855 A 6/1990 Recchelbacher
5,337,764 A 8/1994 McKay
5,440,808 A 8/1995 Wexler

(**) Term: **14 Years**

Primary Examiner — Susan Krakower
Assistant Examiner — Lisa A Grabenstetter

(21) Appl. No.: **29/487,217**

(74) *Attorney, Agent, or Firm* — Finch & Maloney PLLC

(22) Filed: **Apr. 7, 2014**

(57) **CLAIM**

Related U.S. Application Data

The ornamental design for an upright brush, as shown and described.

(63) Continuation of application No. 12/729,605, filed on Mar. 23, 2010, now abandoned.

DESCRIPTION

(51) **LOC (10) Cl.** **04-01**

(52) **U.S. Cl.**
USPC **D4/114**

(58) **Field of Classification Search**
USPC D4/114, 118, 119, 120, 138, 199;
D8/15, 16, 19, 62, 90, 101; D9/689,
D9/719, 723, 724, 725; D24/119, 146,
D24/180, 200; D32/40, 41, 44, 46, 50, 51,
D32/52, 57
CPC A46B 5/00; A46B 5/0004; A46B 5/0016;
A46B 11/00; A46B 11/001; A46B 11/0006;
A46B 2200/304; A46B 2200/3006; A46B
2200/3093; A47L 13/10; A47L 13/16;
A47L 13/20; A47L 13/24; A47L 13/254
See application file for complete search history.

FIG. 1 is a perspective view of a first embodiment of an upright brush showing our new design;
FIG. 2 is a front view thereof;
FIG. 3 is back view thereof;
FIG. 4 is a left-side elevational view thereof, the right-side elevational view being a mirror image thereof;
FIG. 5 is a top plan view thereof;
FIG. 6 is a bottom plan view thereof;
FIG. 7 is a perspective view of a second embodiment of an upright brush showing our new design;
FIG. 8 is a front view thereof;
FIG. 9 is back view thereof;
FIG. 10 is a left-side elevational view thereof, the right-side elevational view being a mirror image thereof;
FIG. 11 is a top plan view thereof; and,
FIG. 12 is a bottom plan view thereof.

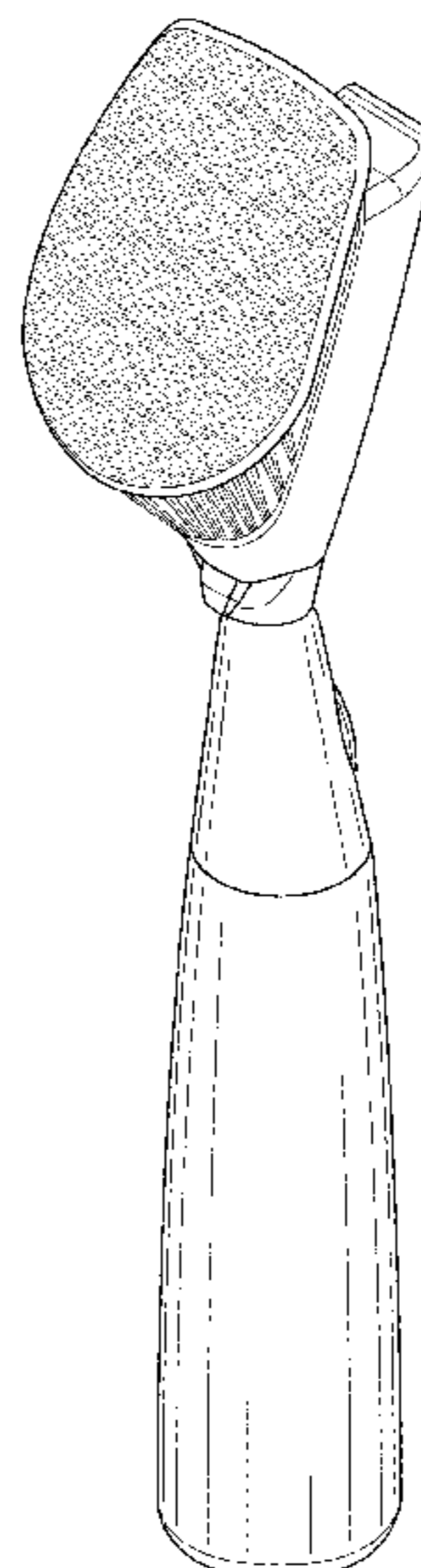
(56) **References Cited**

U.S. PATENT DOCUMENTS

979,377 A 12/1910 Campbell
2,601,689 A 6/1950 Mallard

The broken line portions of FIGS. 6 and 12 show unclaimed subject matter only and form no part of the claimed design.

1 Claim, 10 Drawing Sheets



(56)

References Cited

U.S. PATENT DOCUMENTS

D381,771 S	7/1997	Chern		7,614,811 B2	11/2009	Kaufman et al.
D387,704 S *	12/1997	Berti	D32/45	D606,269 S	12/2009	Treeby et al.
D414,005 S	9/1999	Lehnertz		D622,017 S	8/2010	Murphy, Jr.
D415,007 S	10/1999	Jimenez et al.		7,814,917 B2	10/2010	Hurwitz
5,961,235 A	10/1999	Kennedy		D628,806 S	12/2010	van der Lande
6,042,286 A	3/2000	Pazienza		7,934,512 B2	5/2011	Spagnuolo
D433,816 S *	11/2000	Viner	D4/114	8,087,843 B2	1/2012	Ottaviani et al.
6,244,776 B1	6/2001	Wiley		8,172,106 B2	5/2012	Clamp et al.
6,334,449 B1	1/2002	Burrowes et al.		D685,549 S	7/2013	Wong
6,533,484 B1	3/2003	Osei et al.		D690,481 S *	9/2013	Roehm
6,629,799 B2	10/2003	Flores, Jr.		D734,908 S	7/2015	Chitayat et al.
6,672,784 B2	1/2004	Baumann et al.		D737,531 S	8/2015	Chitayat et al.
D493,962 S *	8/2004	Dotterman	D32/45	2002/0076255 A1	6/2002	Hoang et al.
D502,301 S *	2/2005	Hay	D32/52	2005/0257800 A1	11/2005	Inoue
7,059,333 B2	6/2006	Duqueroie		2005/0273959 A1	12/2005	Dillon
D524,547 S *	7/2006	Hay	D4/127	2006/0021628 A1	2/2006	Mu et al.
D547,067 S *	7/2007	Choi	D32/35	2006/0032010 A1	2/2006	Francois
D549,411 S *	8/2007	McNeeley	D32/40	2007/0124880 A1	6/2007	Petner et al.
D553,794 S *	10/2007	Walker	D28/63	2007/0180637 A1	8/2007	McKay
D554,314 S *	10/2007	Kubes	D32/45	2008/0209650 A1	9/2008	Brewer et al.
D602,697 S	10/2009	Chitayat et al.		2009/0038092 A1	2/2009	Kennedy et al.
				2009/0260172 A1	10/2009	Weiss
				2009/0263174 A1	10/2009	Groh et al.

* cited by examiner

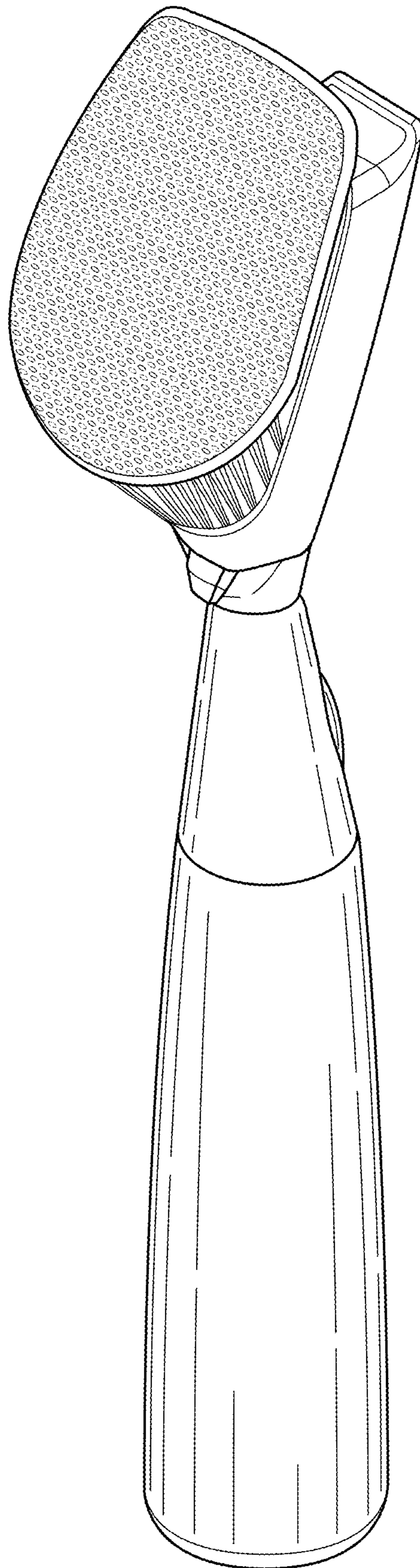


FIG. 1

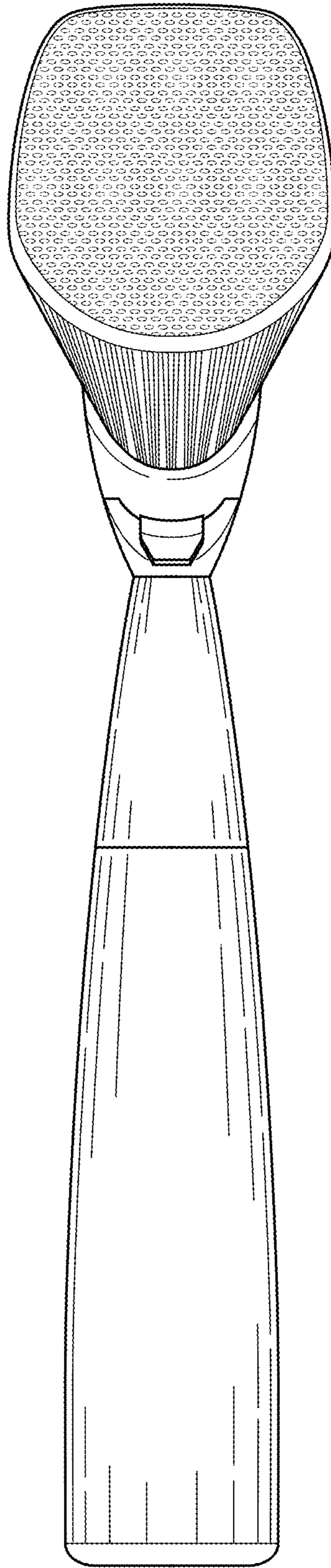


FIG. 2

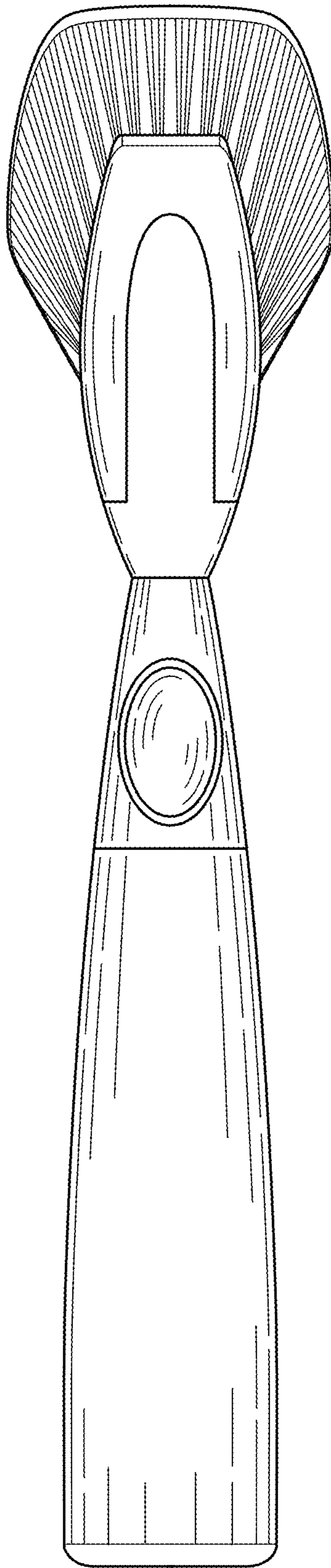


FIG. 3

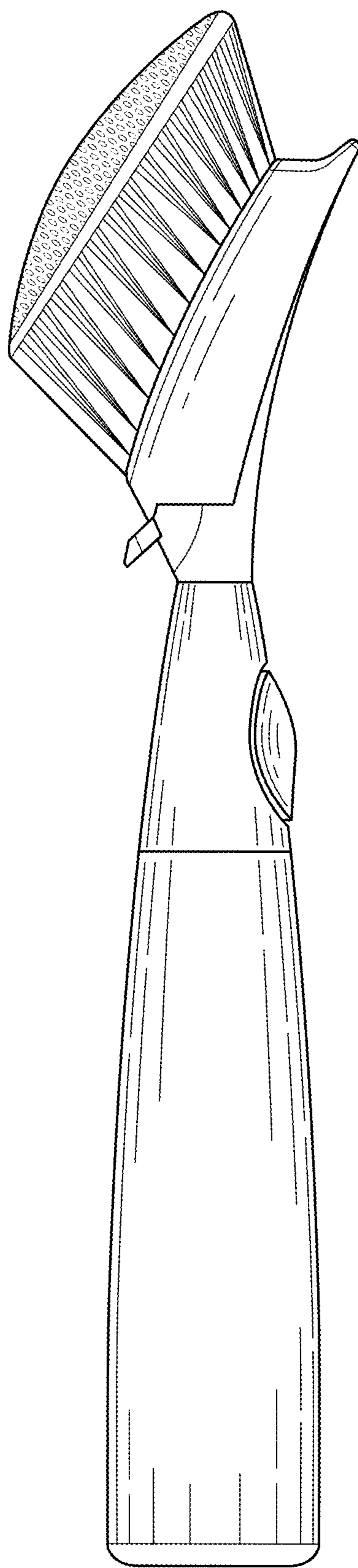


FIG. 4

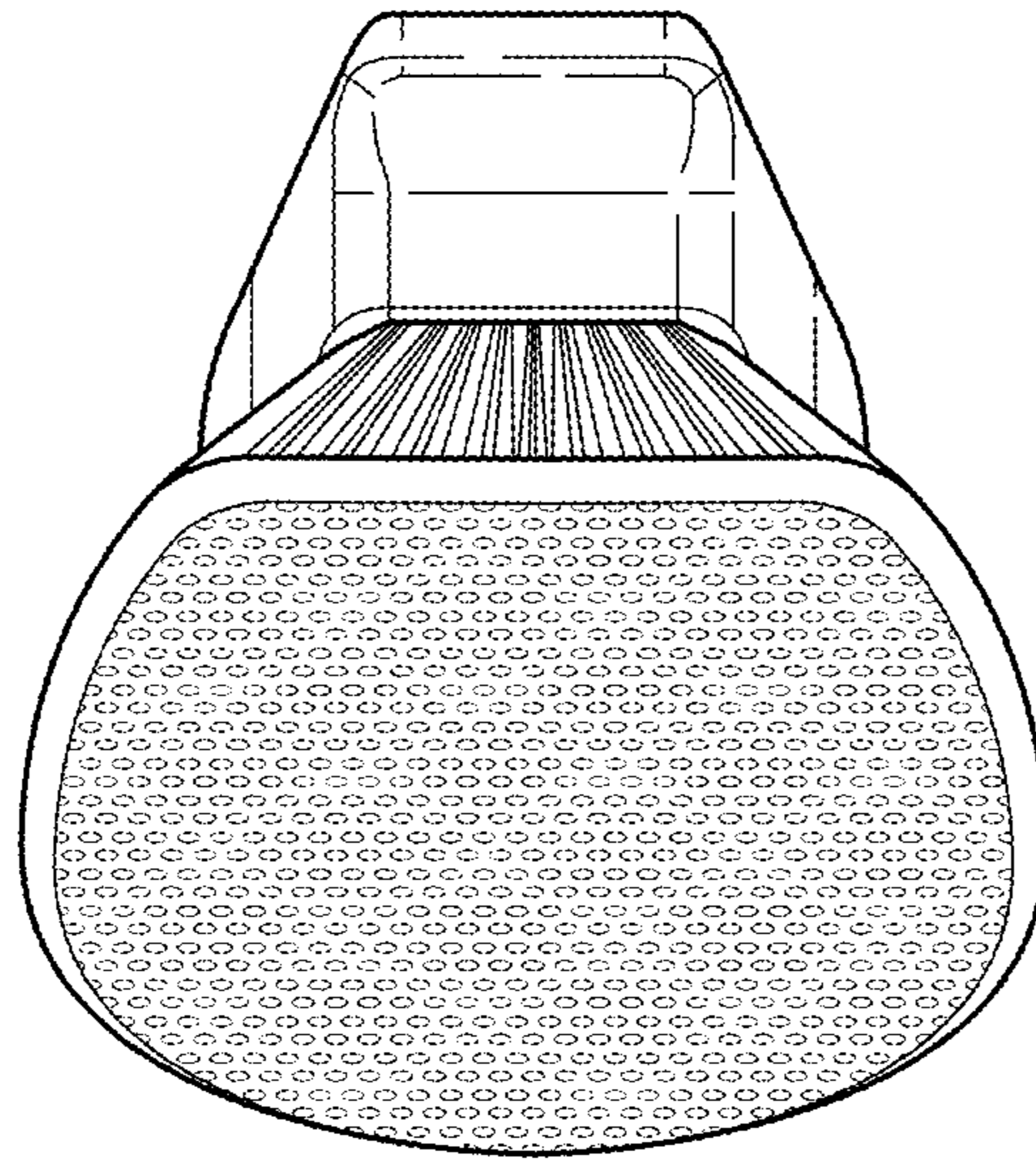


FIG. 5

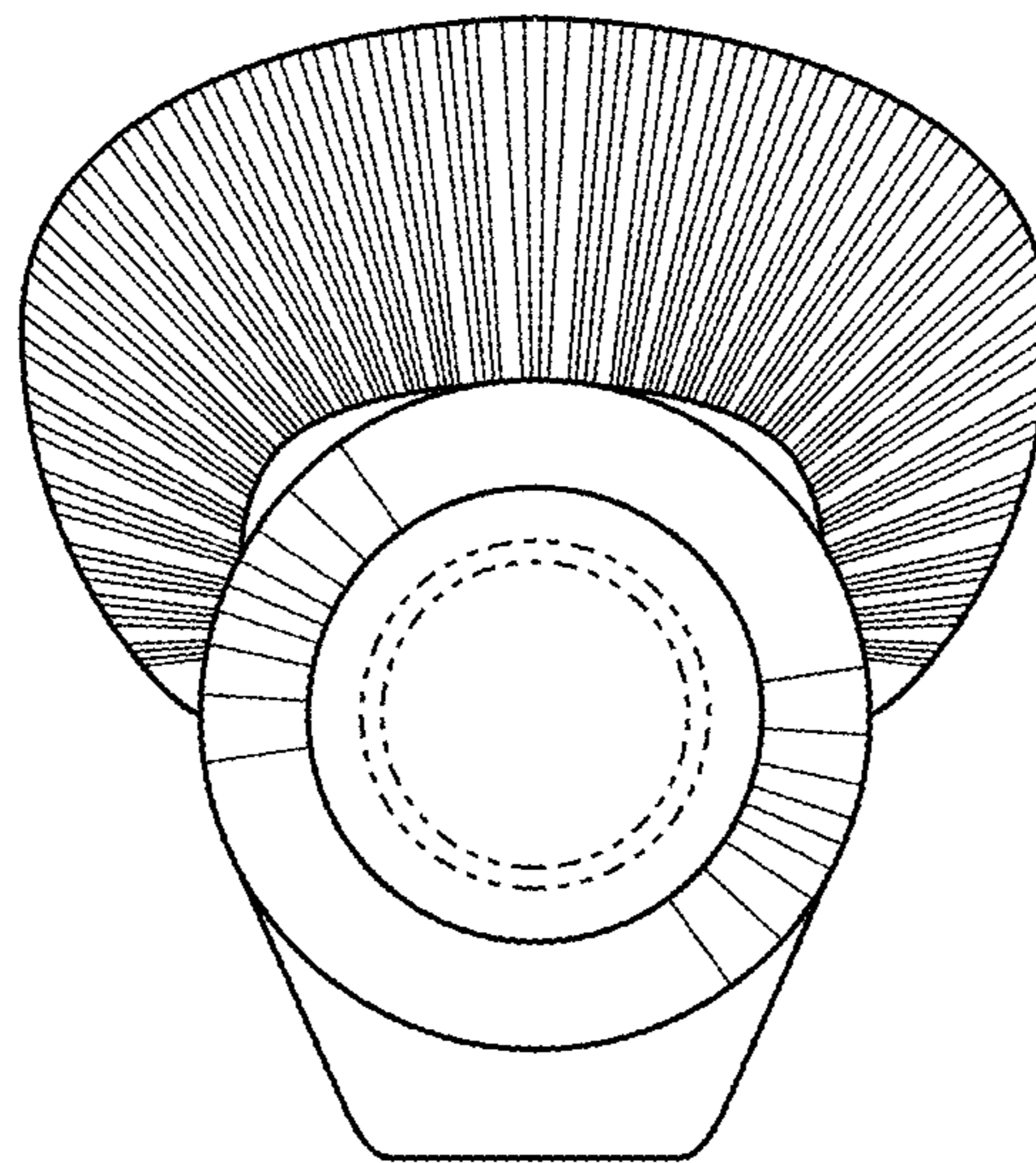


FIG. 6

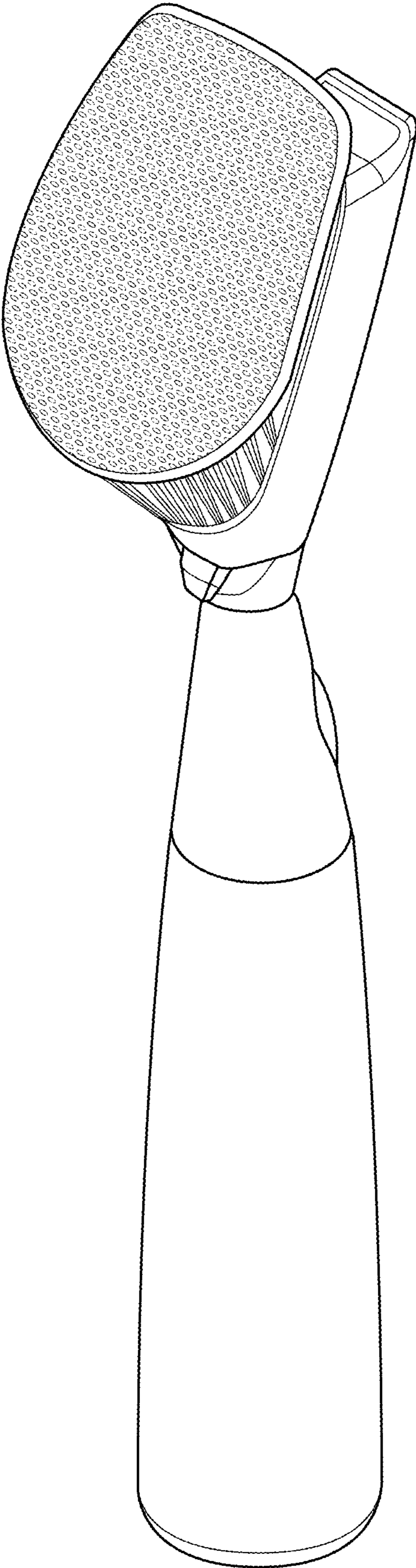


FIG. 7

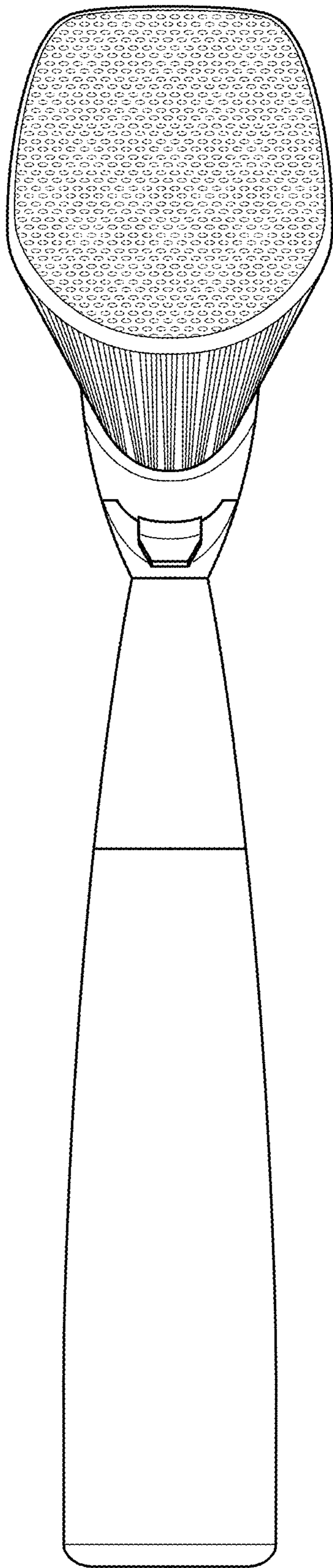


FIG. 8

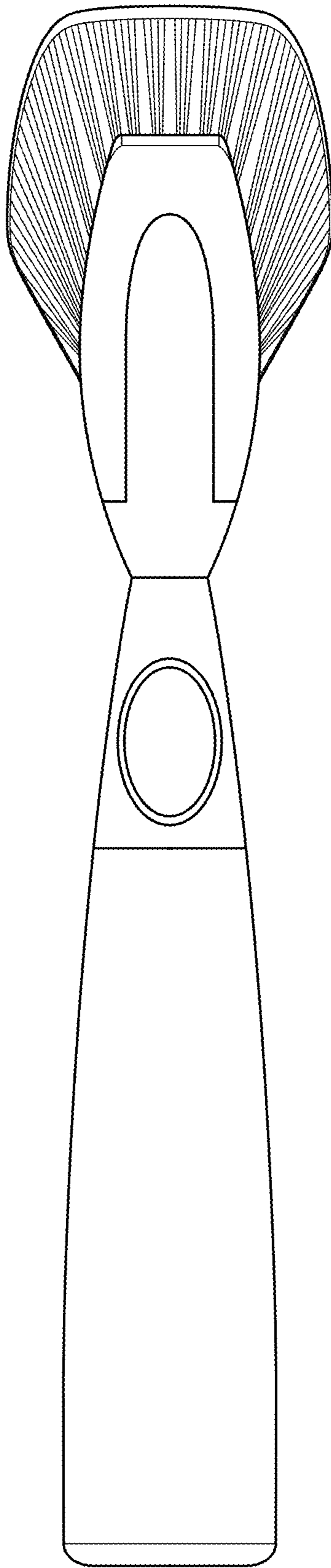


FIG. 9

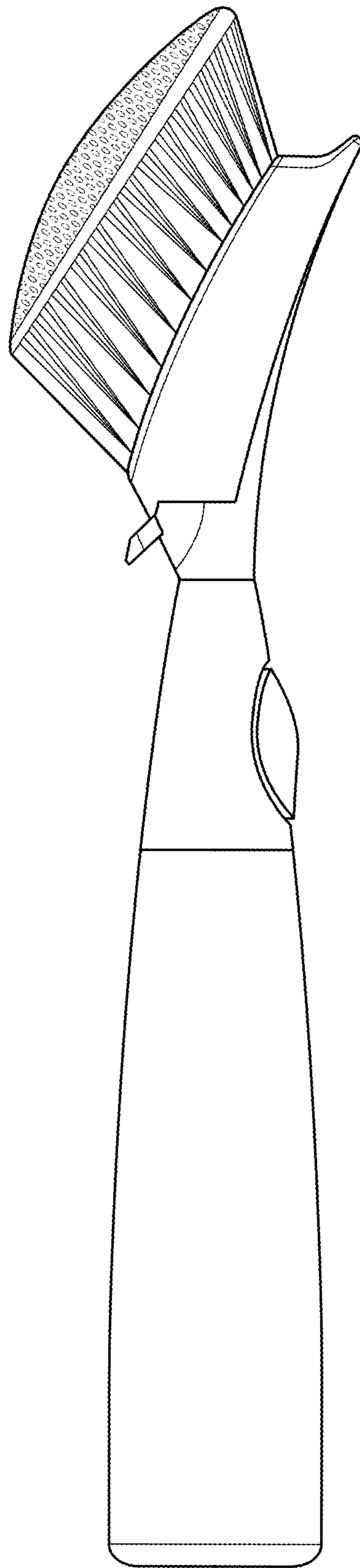


FIG. 10

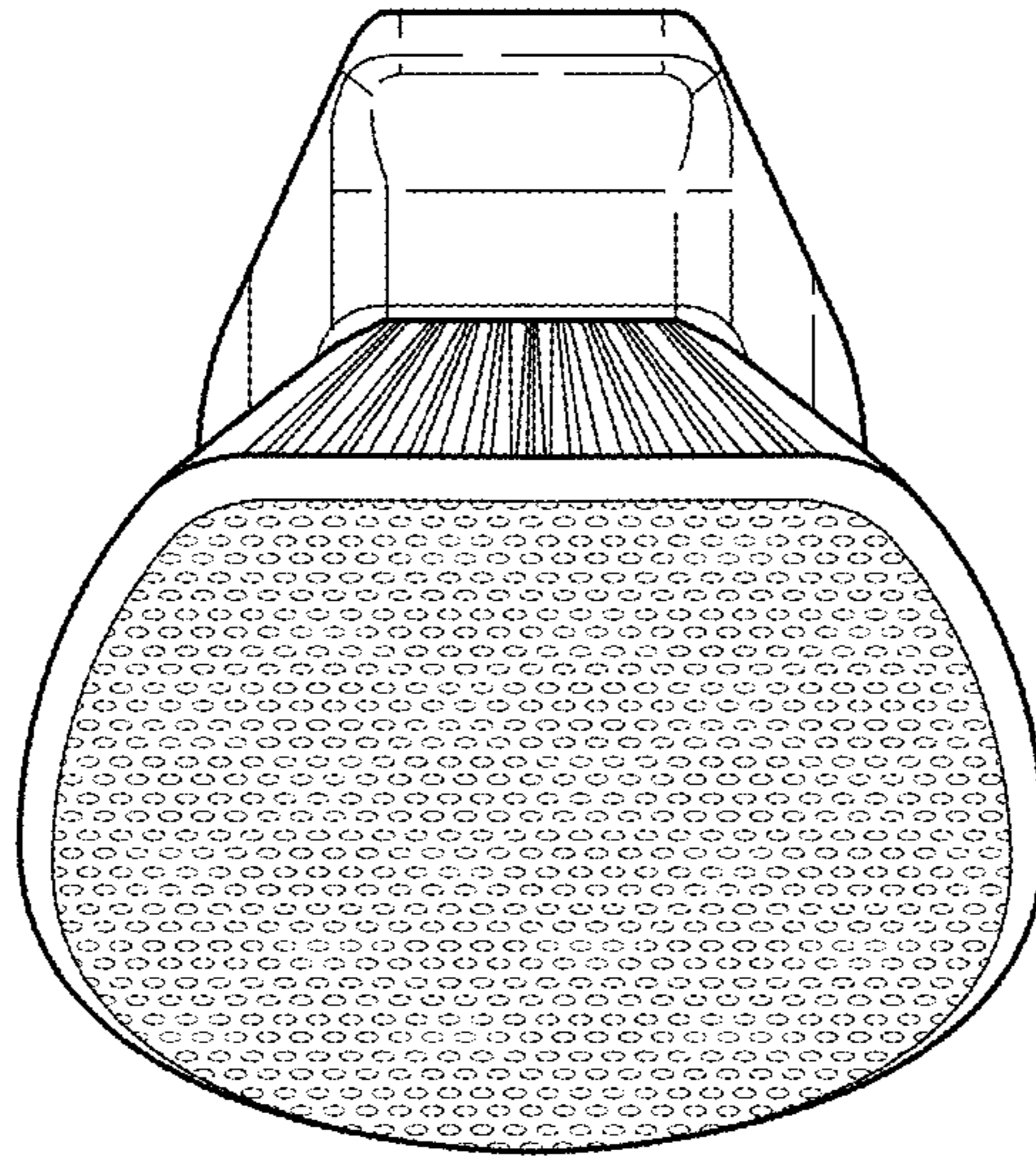


FIG. 11

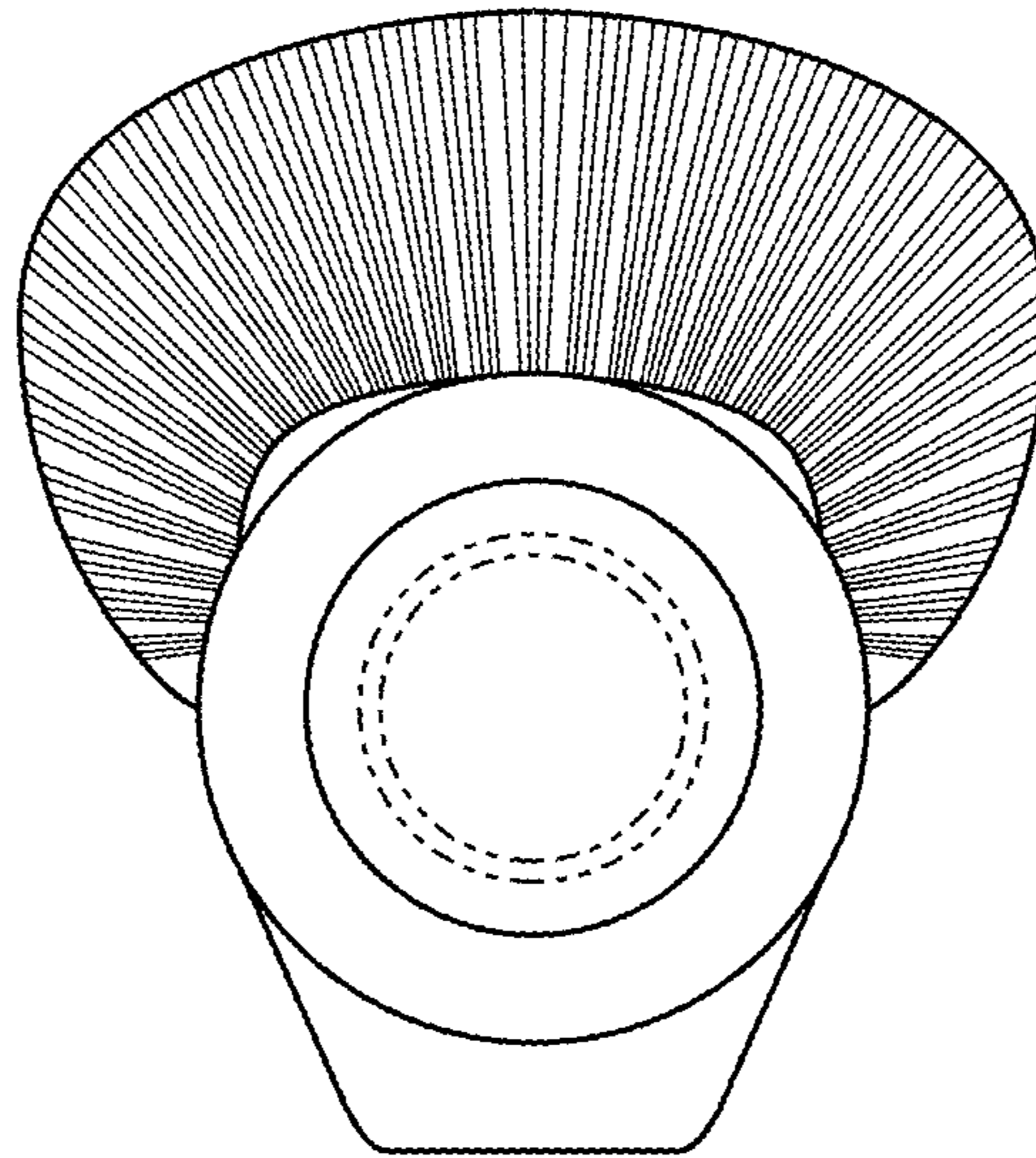


FIG. 12