



US00D771948S

(12) **United States Design Patent** (10) **Patent No.:** **US D771,948 S**
Bhatnagar et al. (45) **Date of Patent:** **** Nov. 22, 2016**

- (54) **RECESSED LUGGAGE FIXTURE**
- (71) Applicant: **ARLO SKYE, Inc.**, New York, NY (US)
- (72) Inventors: **Mayur Bhatnagar**, New York, NY (US); **Mauricio Issa Llano**, Rego Park, NY (US); **Denielle R. Wolfe**, New York, NY (US)
- (73) Assignee: **ARLO SKYE, Inc.**, New York, NY (US)
- (**) Term: **15 Years**
- (21) Appl. No.: **29/558,096**
- (22) Filed: **Mar. 15, 2016**
- (51) **LOC (10) Cl.** **03-01**
- (52) **U.S. Cl.**
USPC **D3/318**
- (58) **Field of Classification Search**
USPC D3/318
CPC B65D 33/06; B25G 1/04; A45C 13/00
See application file for complete search history.

- D428,797 S 8/2000 Lin
D447,929 S 9/2001 Chang
D448,275 S 9/2001 Kuo
6,575,274 B1 6/2003 Huang
D506,313 S 6/2005 Neumann
7,082,641 B1 8/2006 Jung
D695,016 S * 12/2013 Moon D3/318
D699,438 S 2/2014 Mathieu

* cited by examiner

Primary Examiner — Holly Baynham
(74) *Attorney, Agent, or Firm* — Maier & Maier, PLLC

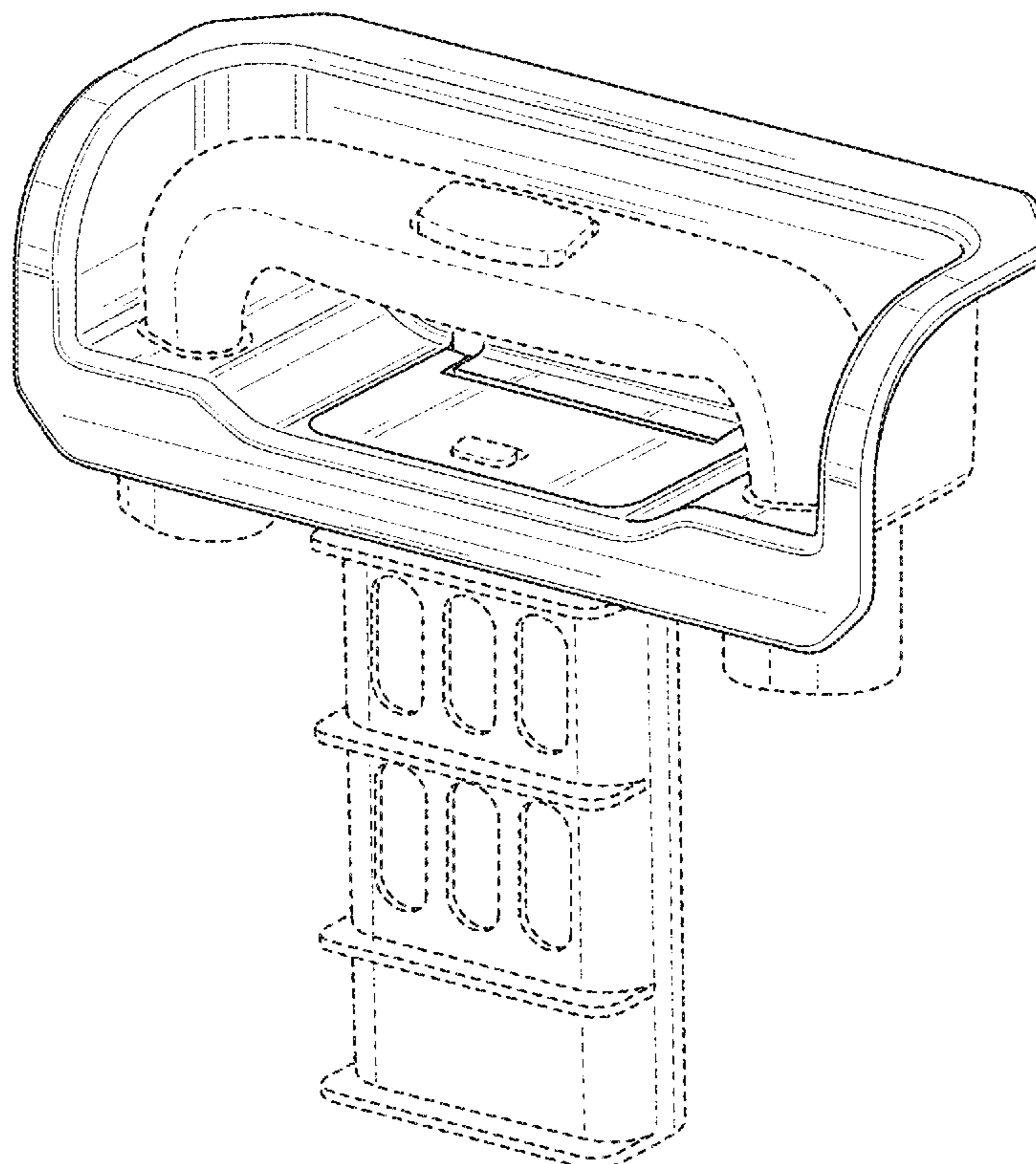
(57) **CLAIM**
The ornamental design for a recessed luggage fixture, as shown and described.

DESCRIPTION

FIG. 1 is a front perspective view of a recessed luggage fixture;
FIG. 2 is a front elevation view thereof;
FIG. 3 is a rear elevation view thereof;
FIG. 4 is a left elevation view thereof;
FIG. 5 is a right elevation view thereof;
FIG. 6 is a top plan view thereof;
FIG. 7 is a bottom plan view thereof; and,
FIG. 8 is a top plan view thereof with environment.
The broken lines showing portions of the handle are for the purposes of illustrating environment and form no part of the claimed design.

- (56) **References Cited**
- U.S. PATENT DOCUMENTS
- D392,099 S * 3/1998 Wang D3/318
D417,134 S 11/1999 Workman

1 Claim, 8 Drawing Sheets



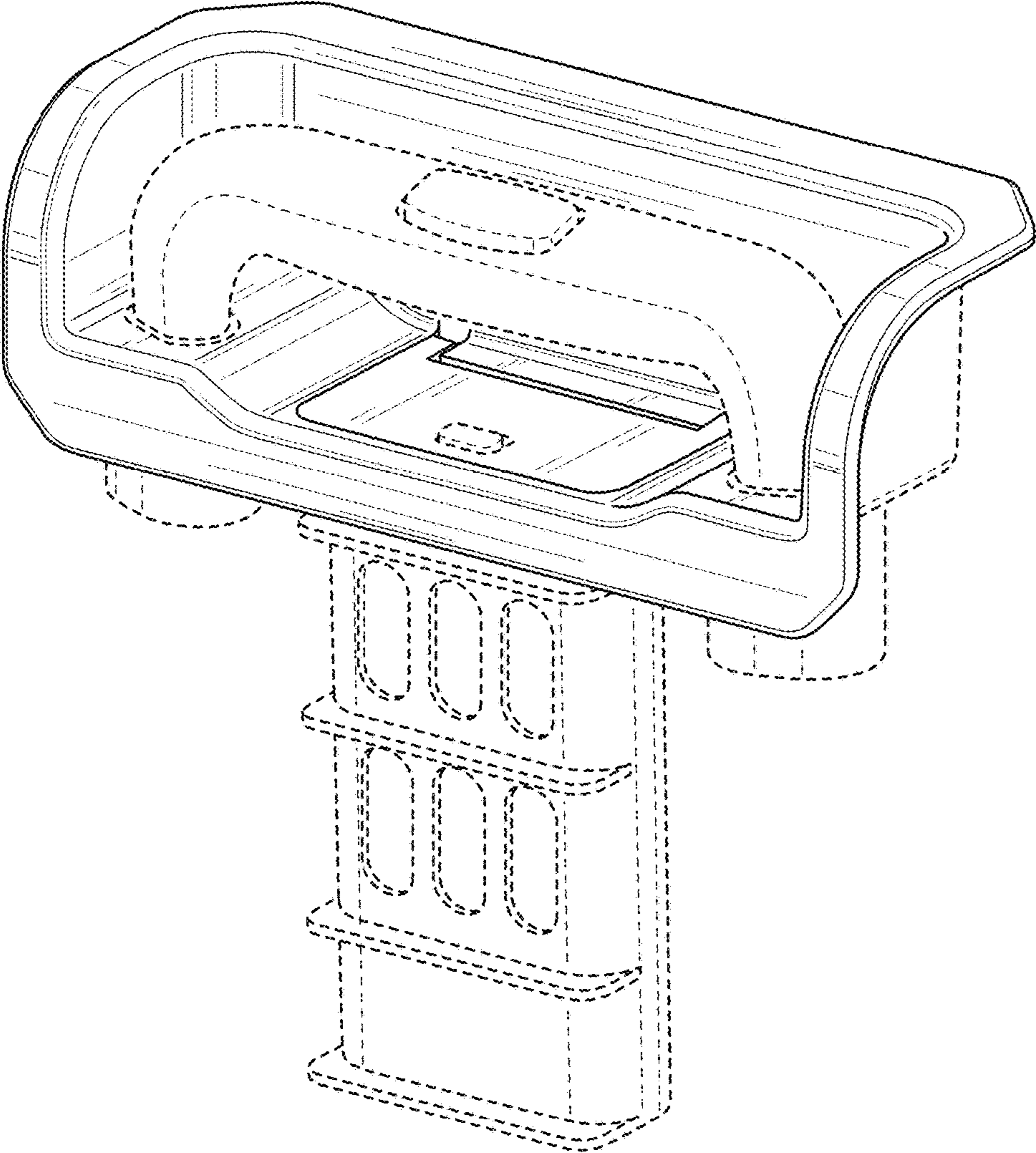


FIG. 1

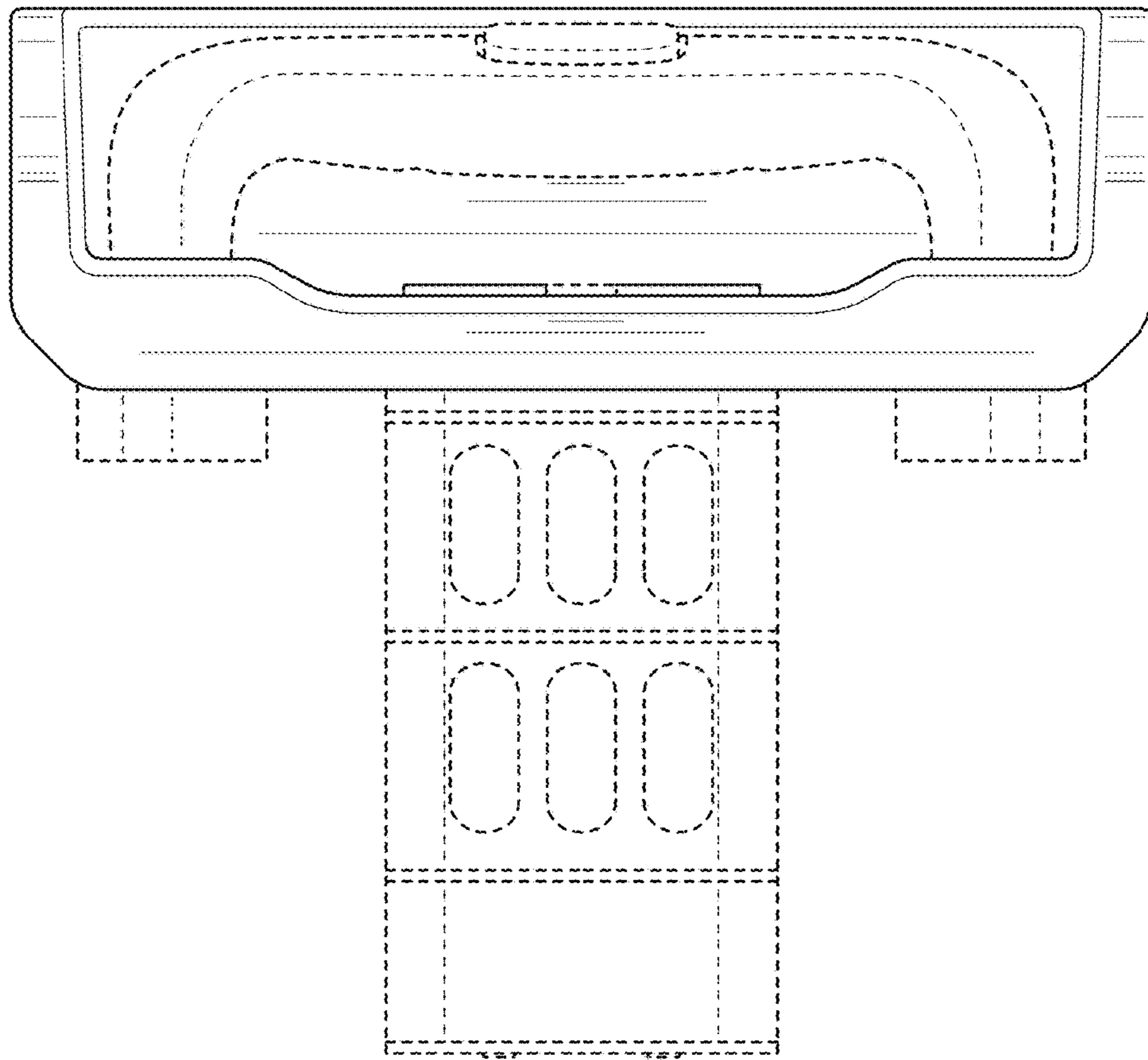


FIG. 2

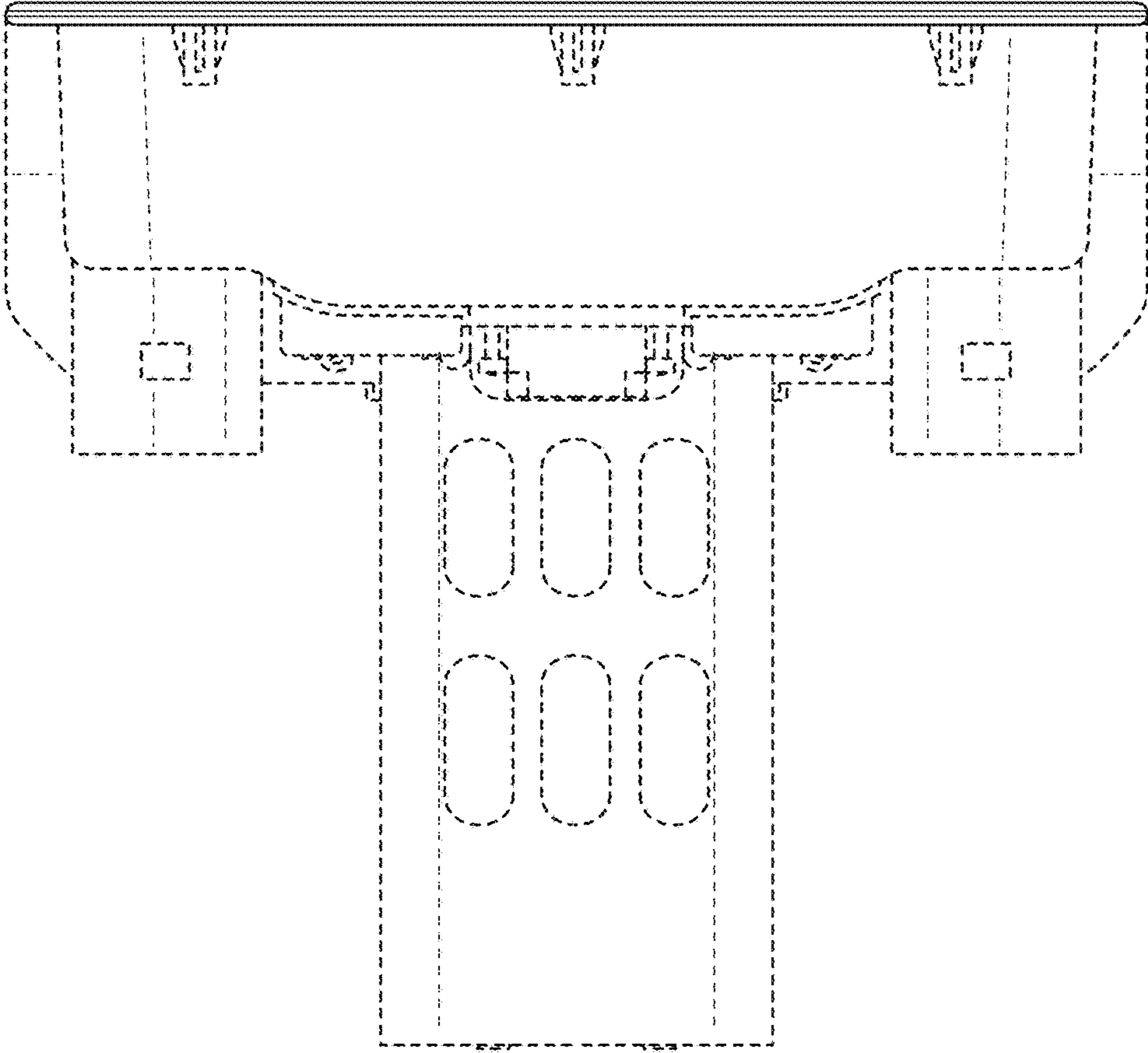


FIG. 3

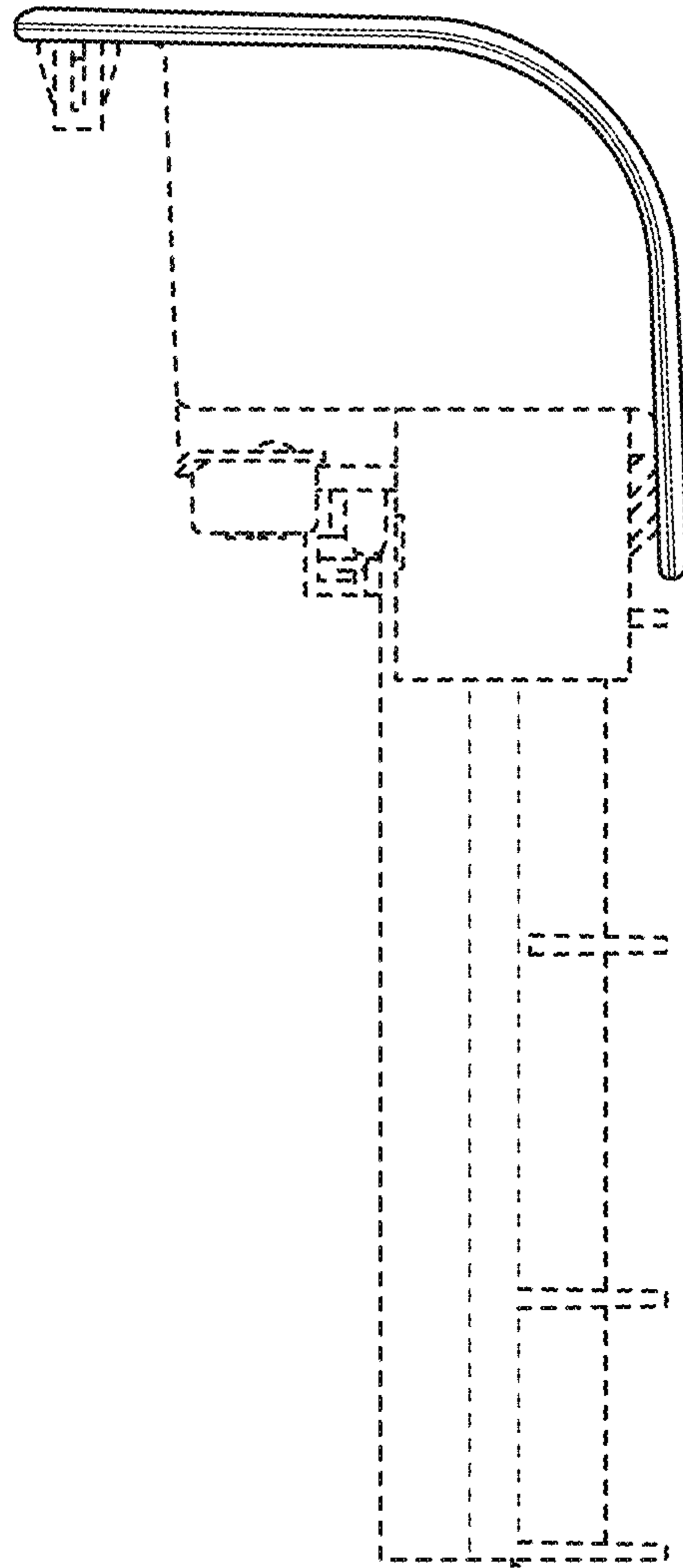


FIG. 4

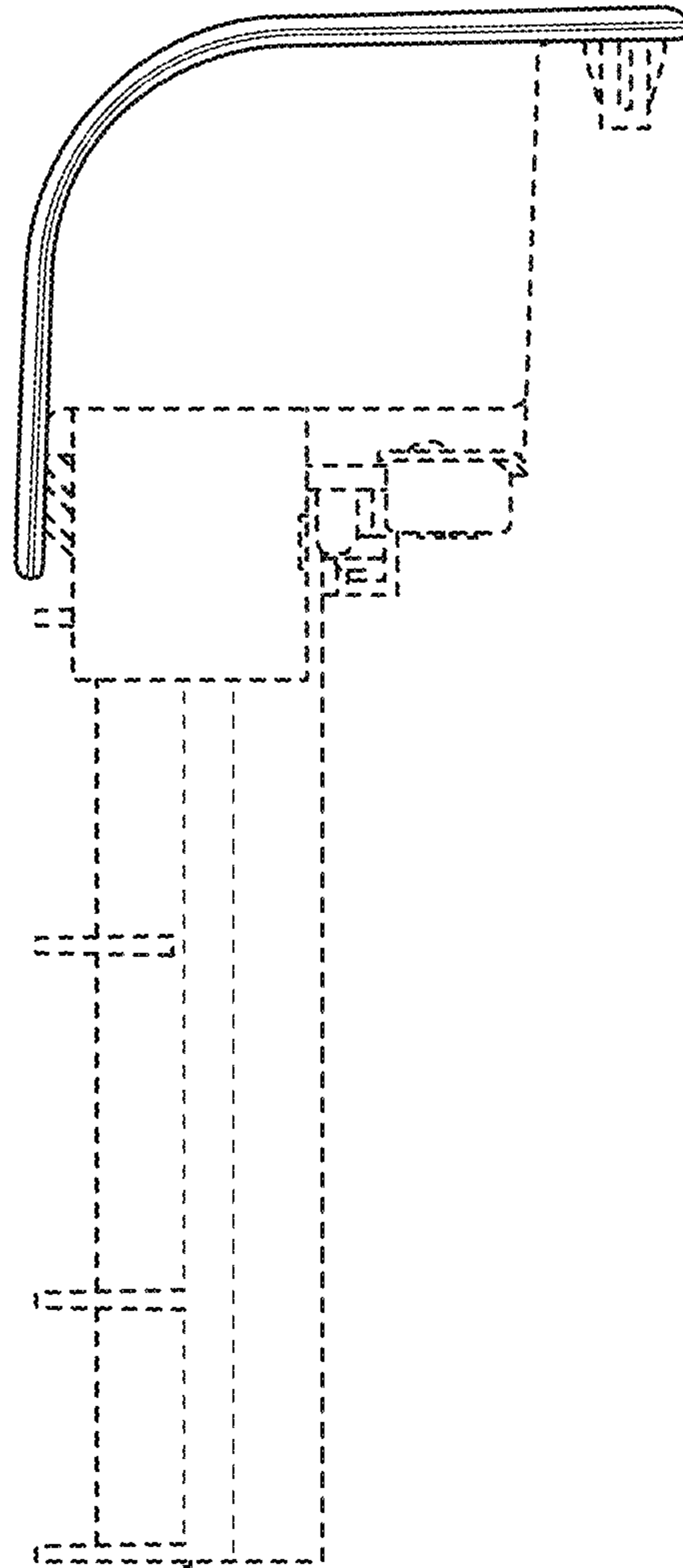


FIG. 5

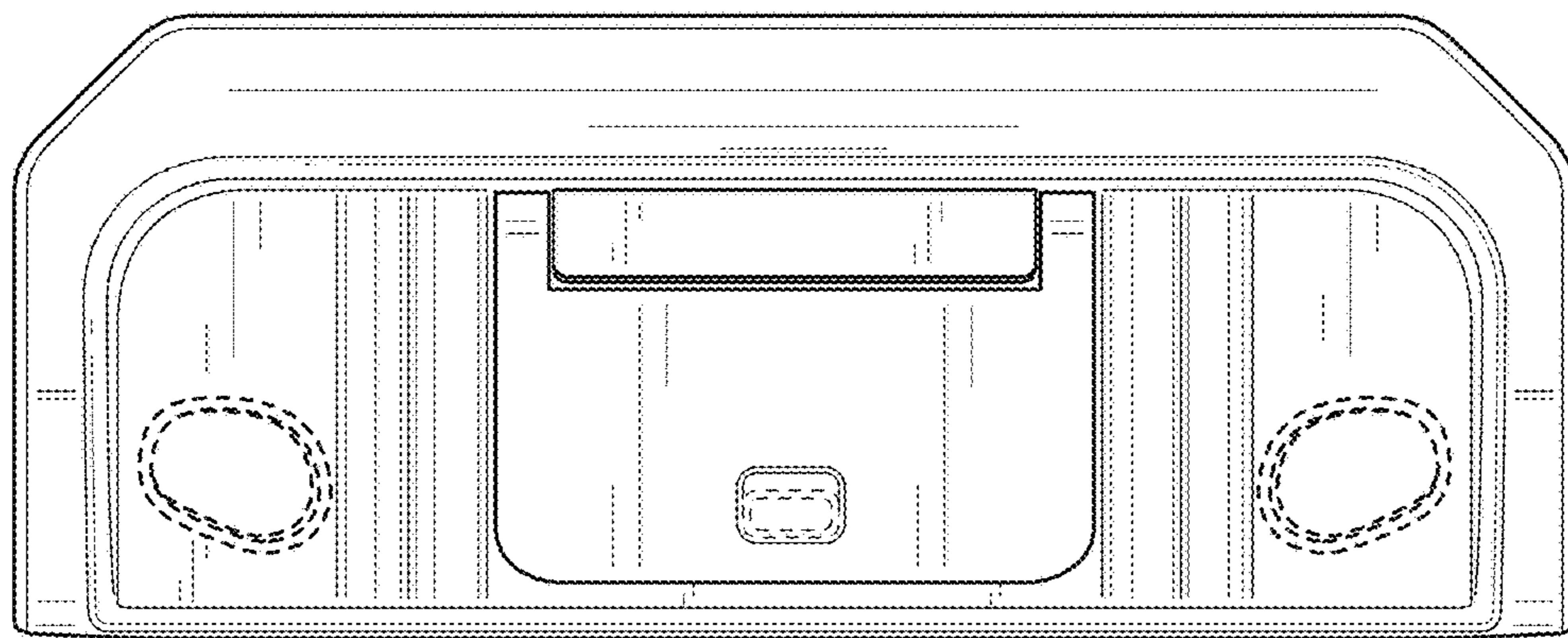


FIG. 6

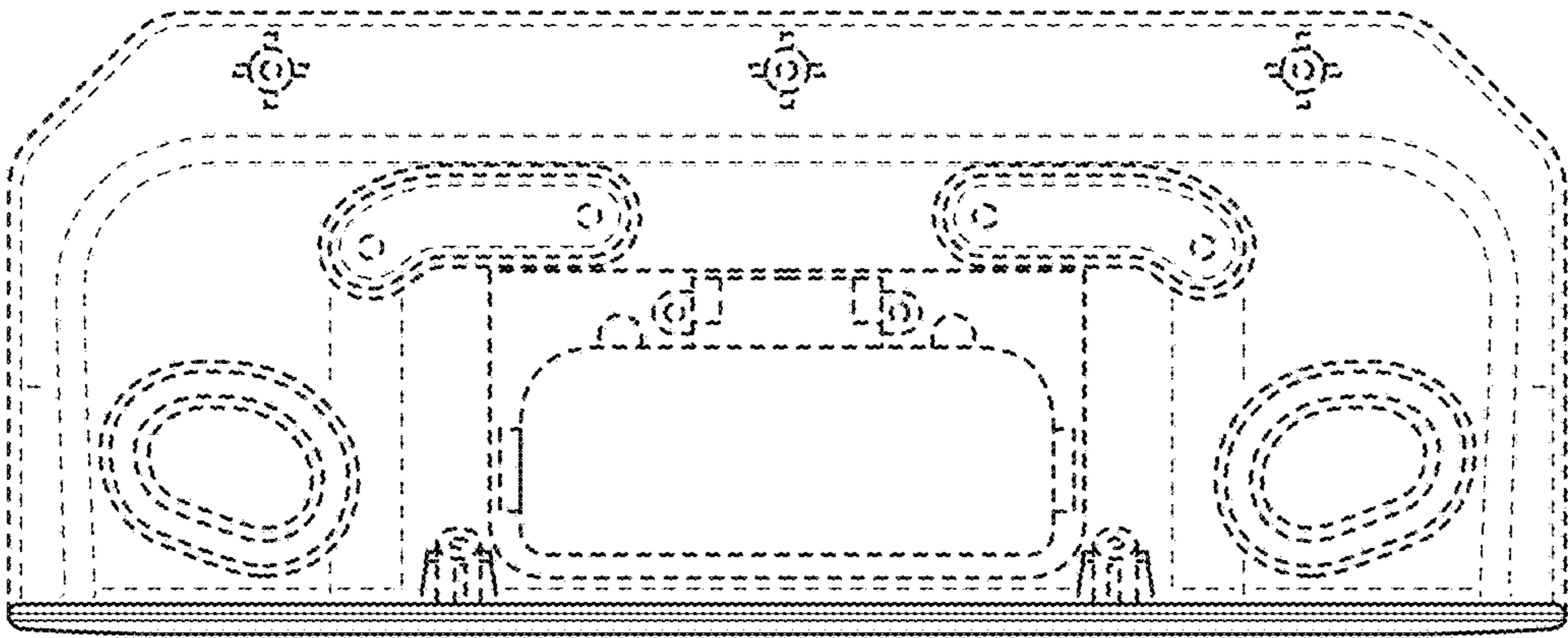


FIG. 7

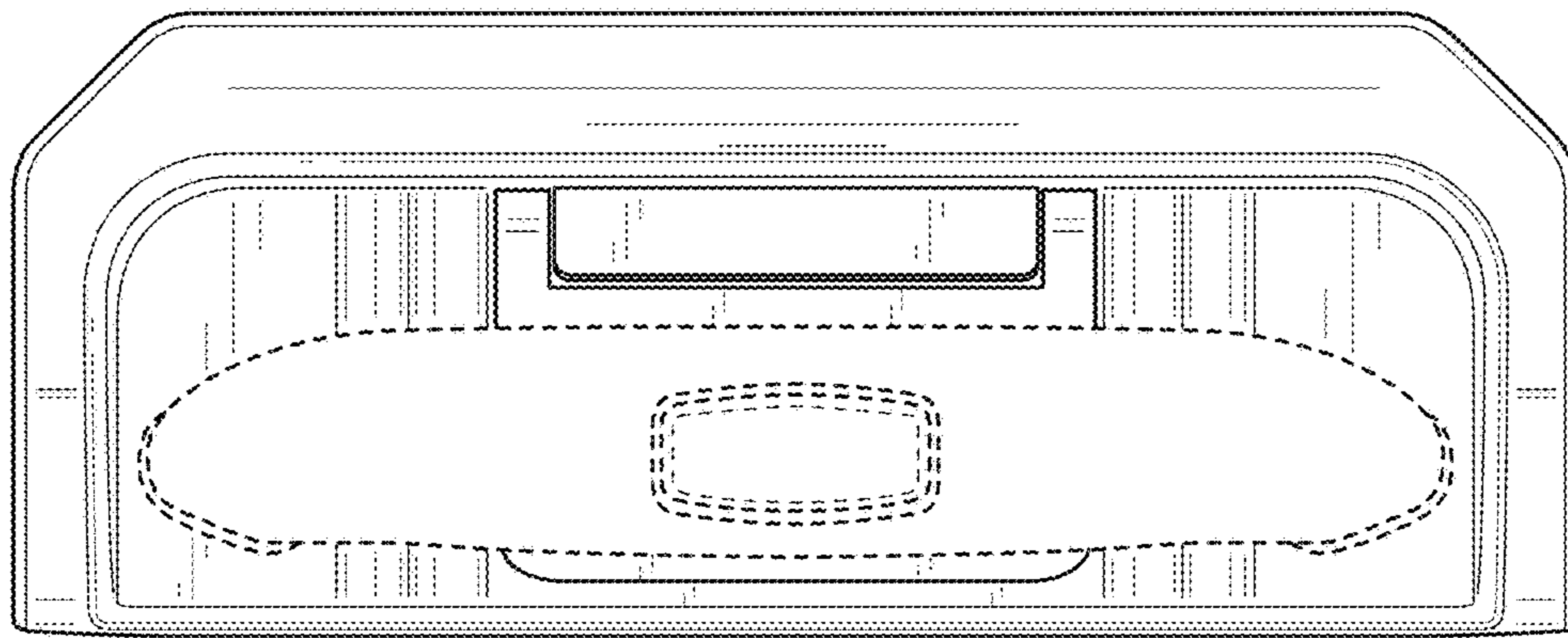


FIG. 8