



US00D771946S

(12) **United States Design Patent**
Wu et al.

(10) **Patent No.:** **US D771,946 S**

(45) **Date of Patent:** **** Nov. 22, 2016**

(54) **SUITCASE HANDLE**

(71) Applicant: **TUMI, INC.**, South Plainfield, NJ (US)

(72) Inventors: **Peter C. Wu**, Sunnyside, NY (US);
Victor Sanz, Whitehouse Station, NJ
(US); **Paul V. Scicluna**, Penndel, PA
(US)

(73) Assignee: **TUMI, INC**, South Plainfield, NJ (US)

(**) Term: **15 Years**

(21) Appl. No.: **29/528,634**

(22) Filed: **May 29, 2015**

(51) **LOC (10) Cl.** **03-01**

(52) **U.S. Cl.**
USPC **D3/318**

(58) **Field of Classification Search**
USPC D3/318, 272-273
CPC A45F 5/10; A45F 5/14
See application file for complete search history.

(56) **References Cited**

U.S. PATENT DOCUMENTS

D590,154 S *	4/2009	Hopwood	D3/279
D597,309 S *	8/2009	Jongchul	D3/279
D675,017 S *	1/2013	Van Overbeke	D3/273
D683,539 S *	6/2013	Jobert	D3/279

* cited by examiner

Primary Examiner — Holly Baynham

(74) *Attorney, Agent, or Firm* — Lando & Anastasi, LLP

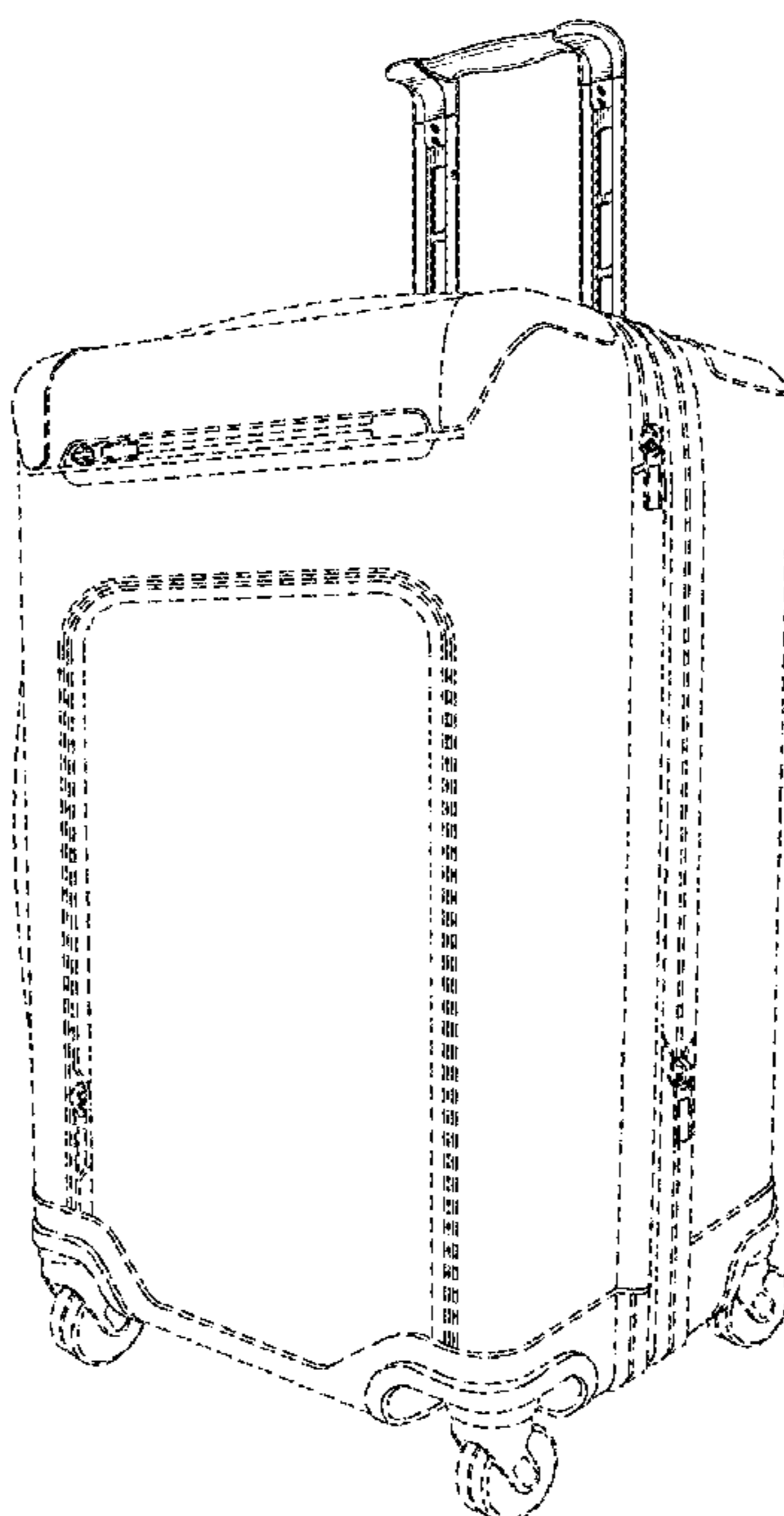
(57) **CLAIM**

The ornamental design for a suitcase handle, as shown and described.

DESCRIPTION

FIG. 1 is a front perspective view of the suitcase handle in a half extended position;
 FIG. 2 is a front view of the suitcase handle in a half extended position;
 FIG. 3 is a rear view of the suitcase handle in a half extended position;
 FIG. 4 is a left side view of the suitcase handle in a half extended position;
 FIG. 5 is a right side view of the suitcase handle in a half extended position;
 FIG. 6 is a top view of the suitcase handle in a half extended position;
 FIG. 7 is a front perspective view of the suitcase handle in a fully extended position;
 FIG. 8 is a front view of the suitcase handle in a fully extended position;
 FIG. 9 is a rear view of the suitcase handle in a fully extended position;
 FIG. 10 is a left side view of the suitcase handle in a fully extended position;
 FIG. 11 is a right side view of the suitcase handle in a fully extended position; and,
 FIG. 12 is a top view of the suitcase handle in a fully extended position.
 The broken lines showing a suitcase are for the purposes of illustrating environment and forms no part of the claimed design.

1 Claim, 12 Drawing Sheets



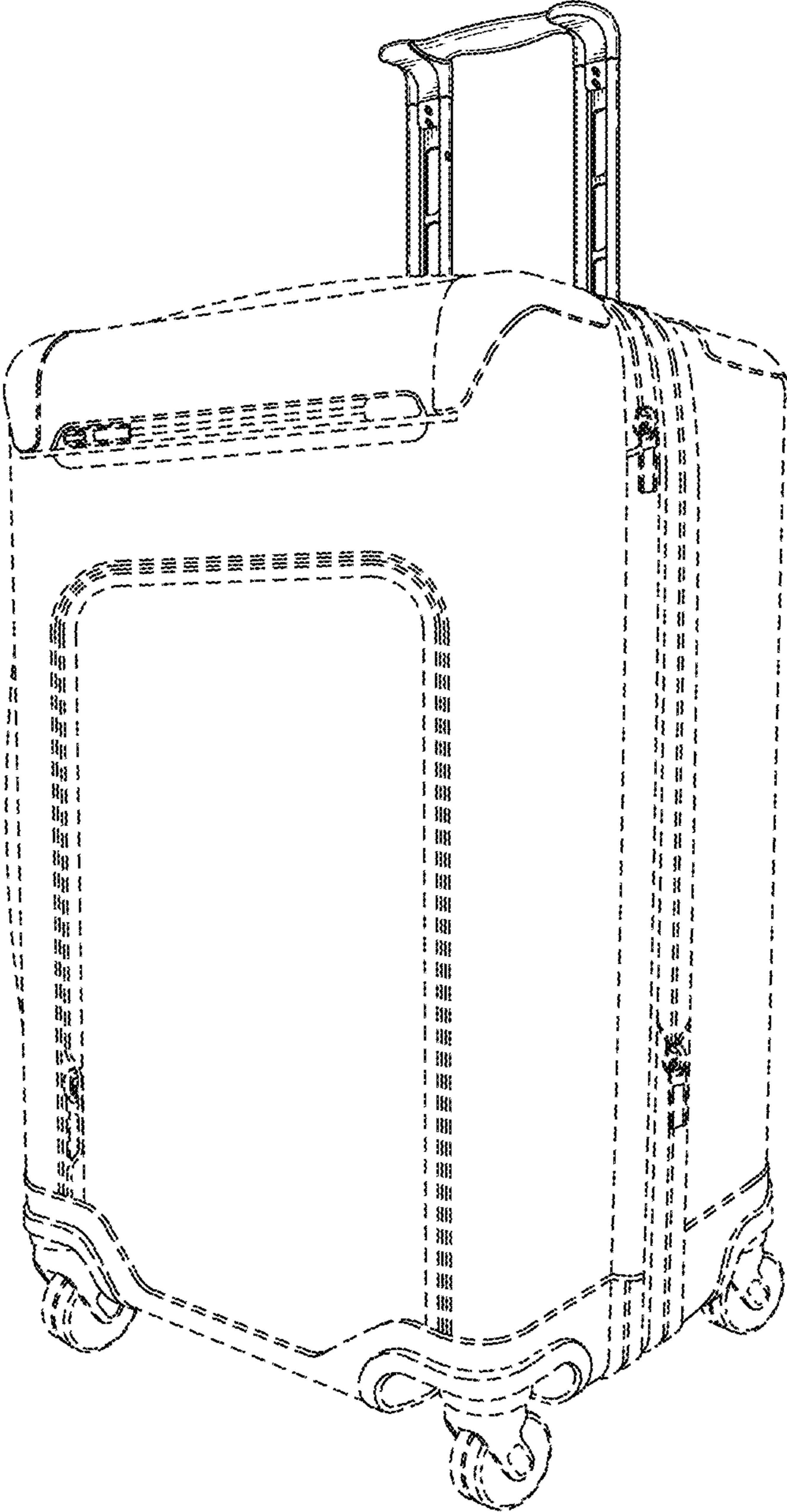


FIG. 1

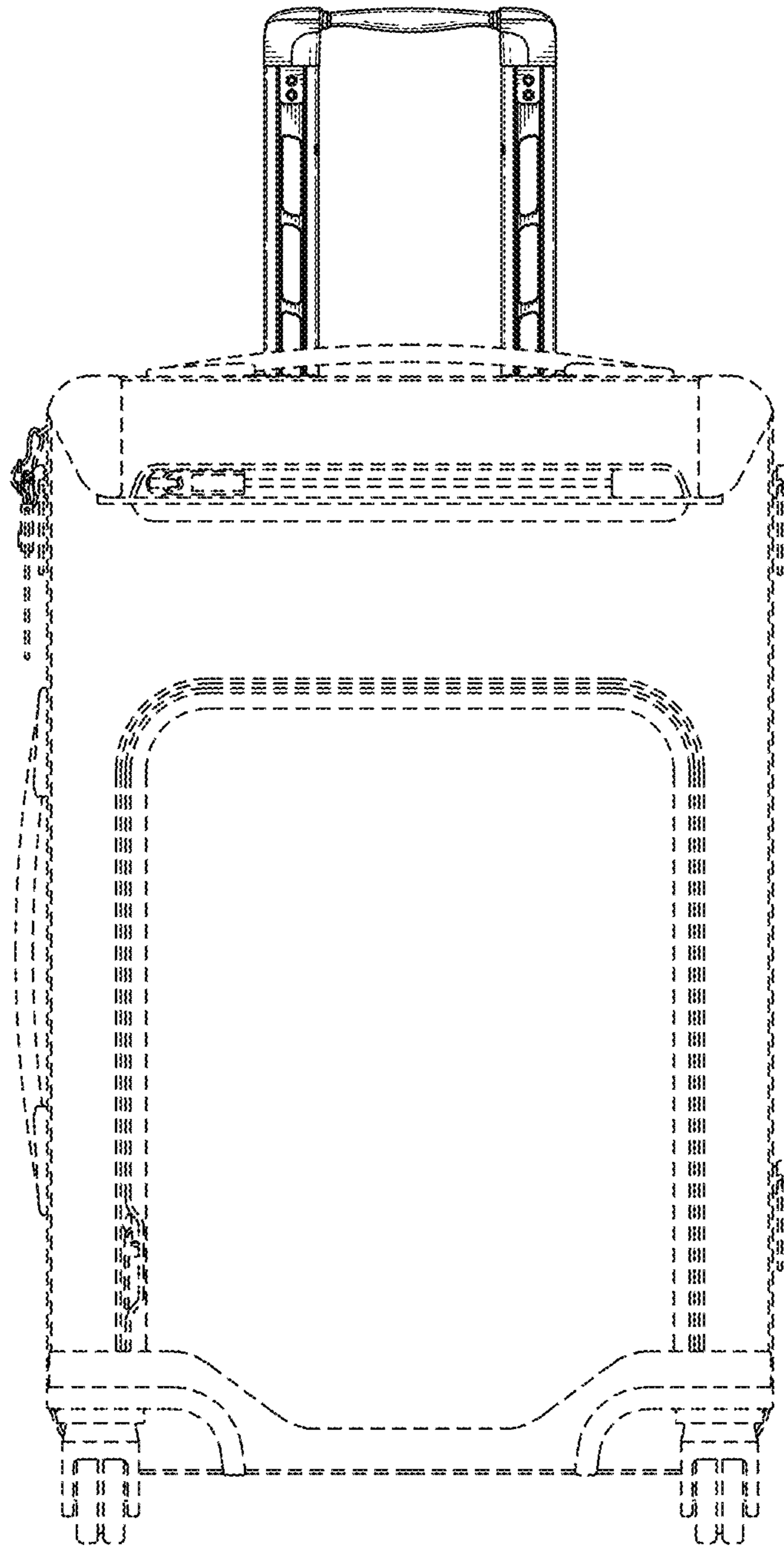


FIG. 2

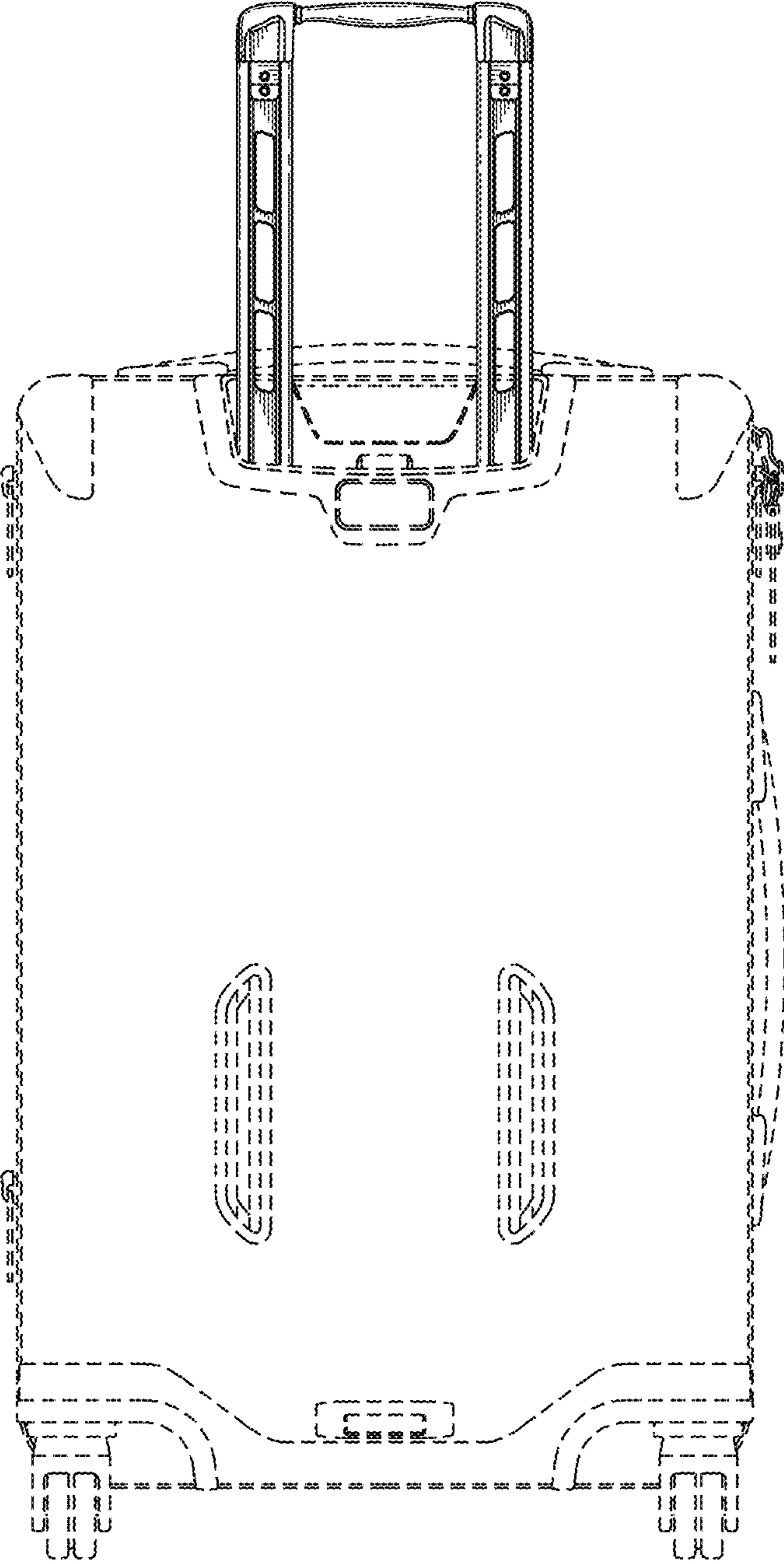


FIG. 3

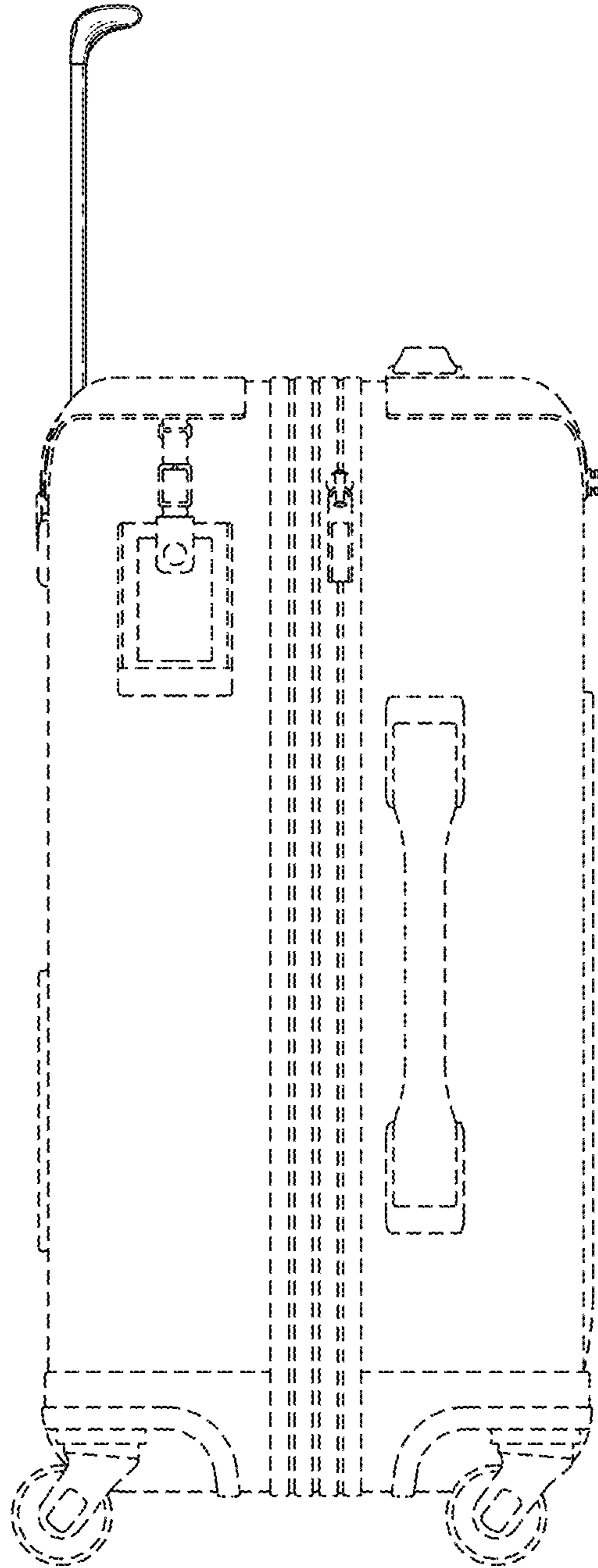


FIG. 4

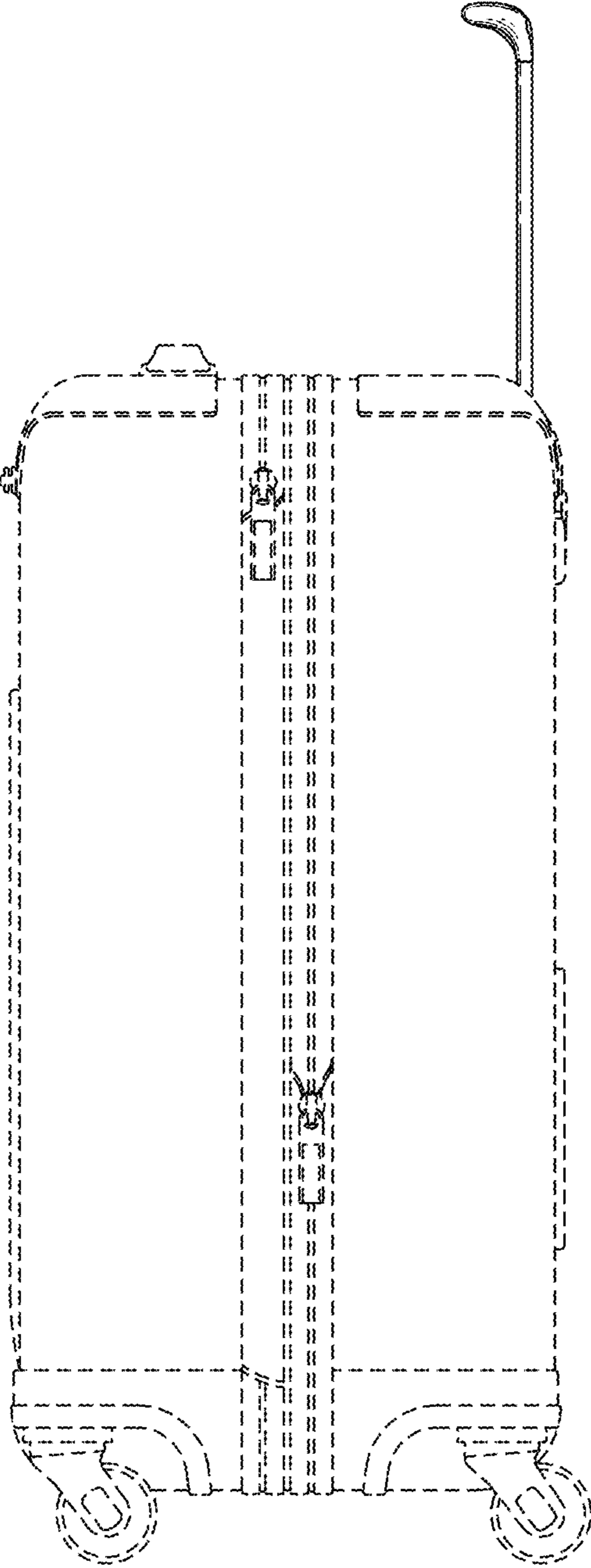


FIG. 5

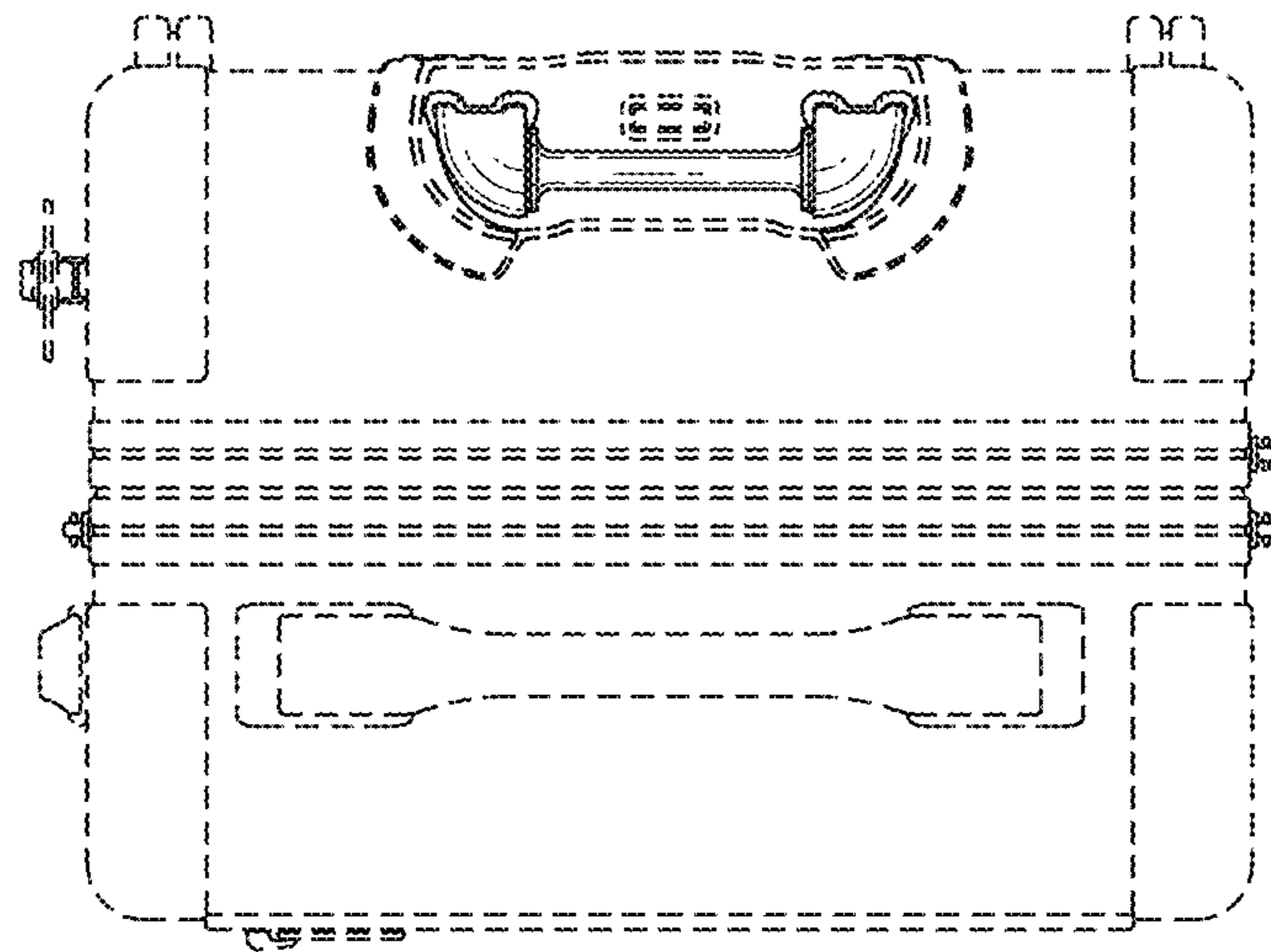


FIG. 6

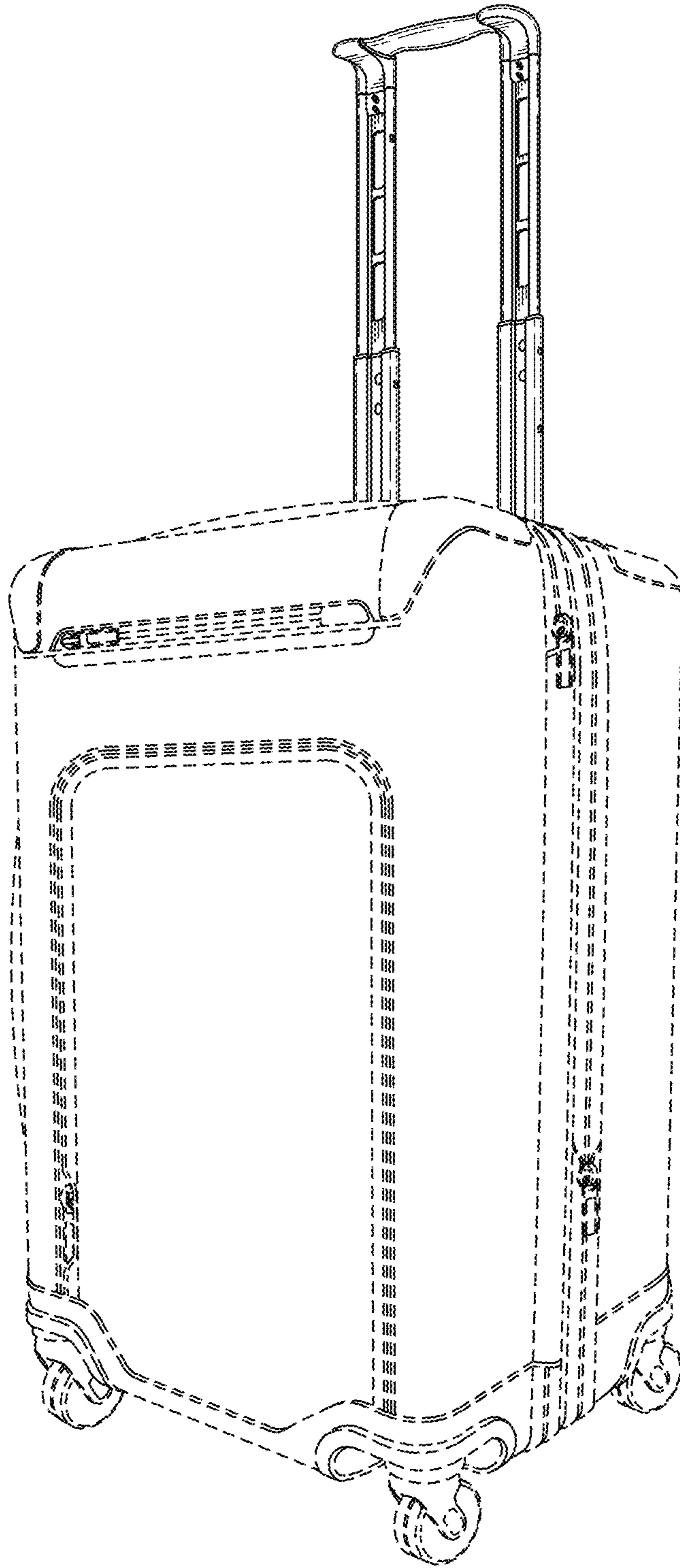


FIG. 7

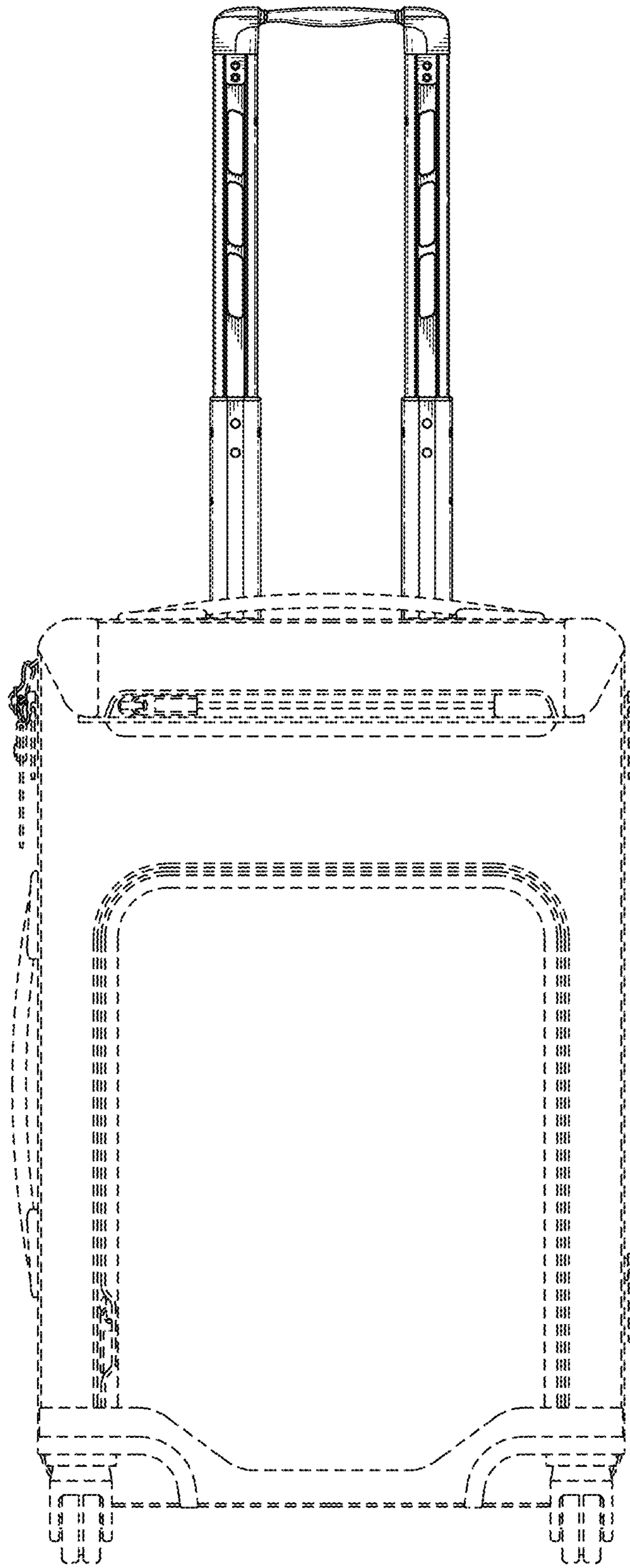


FIG. 8

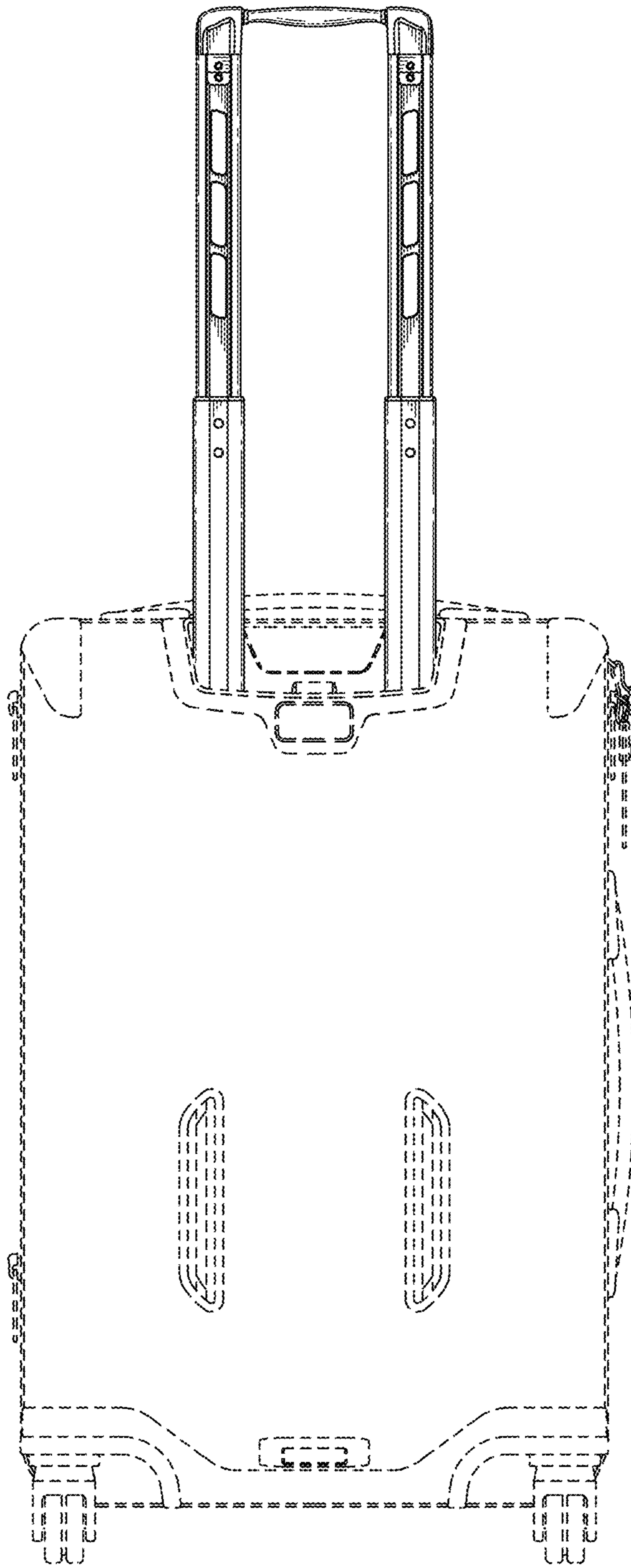


FIG. 9

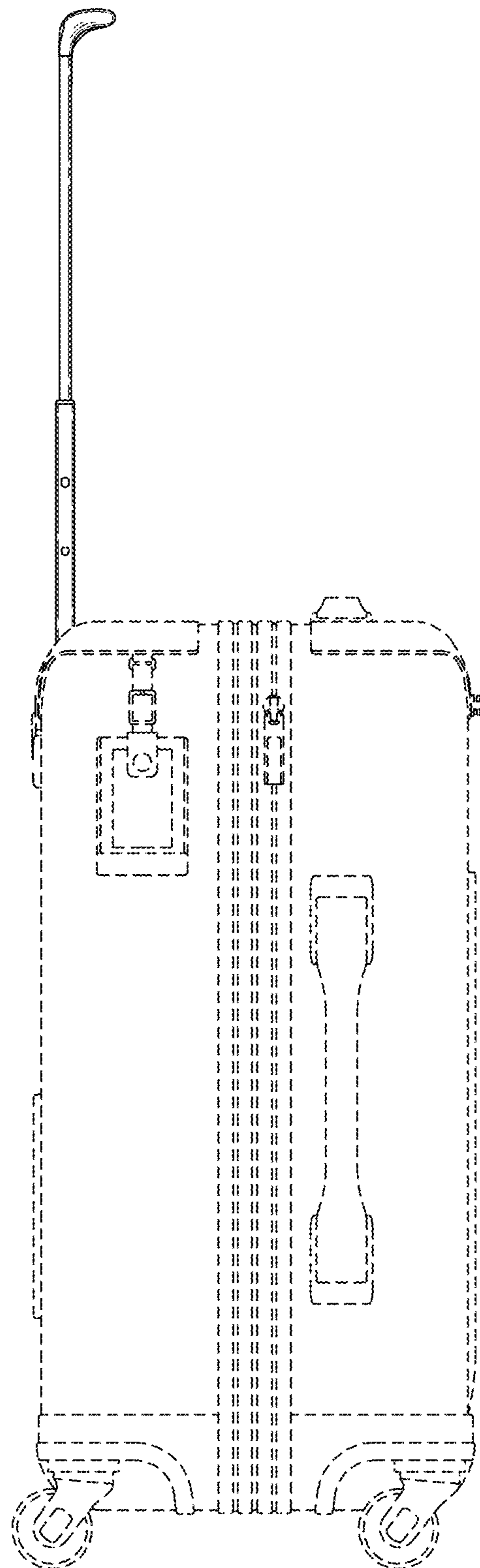


FIG. 10

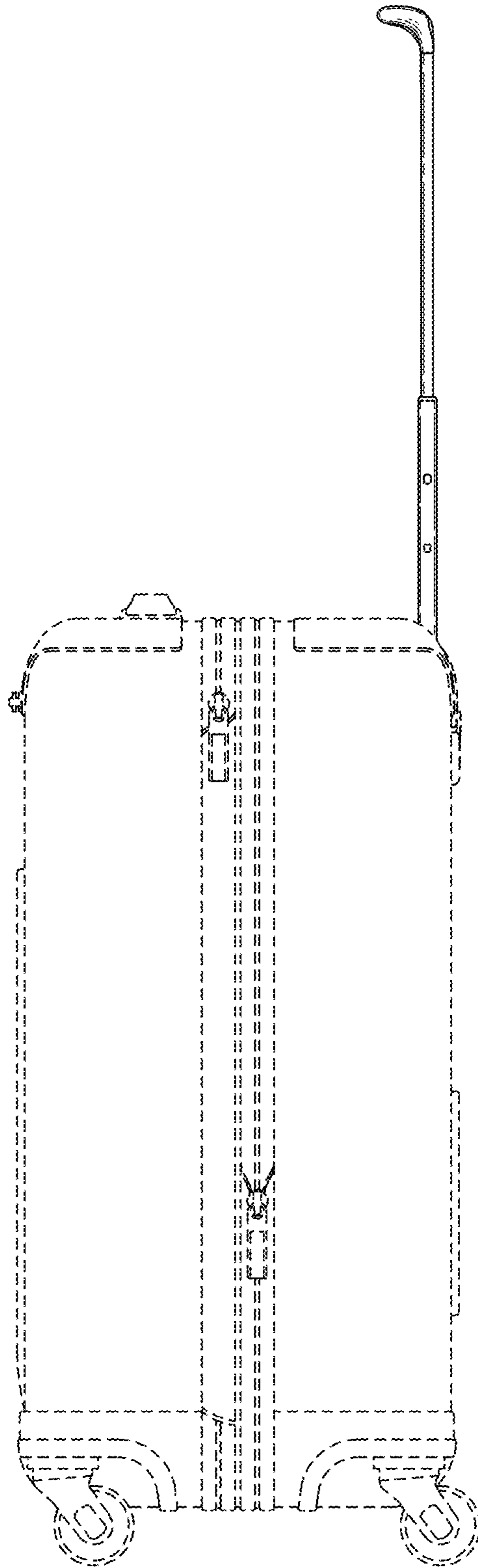


FIG. 11

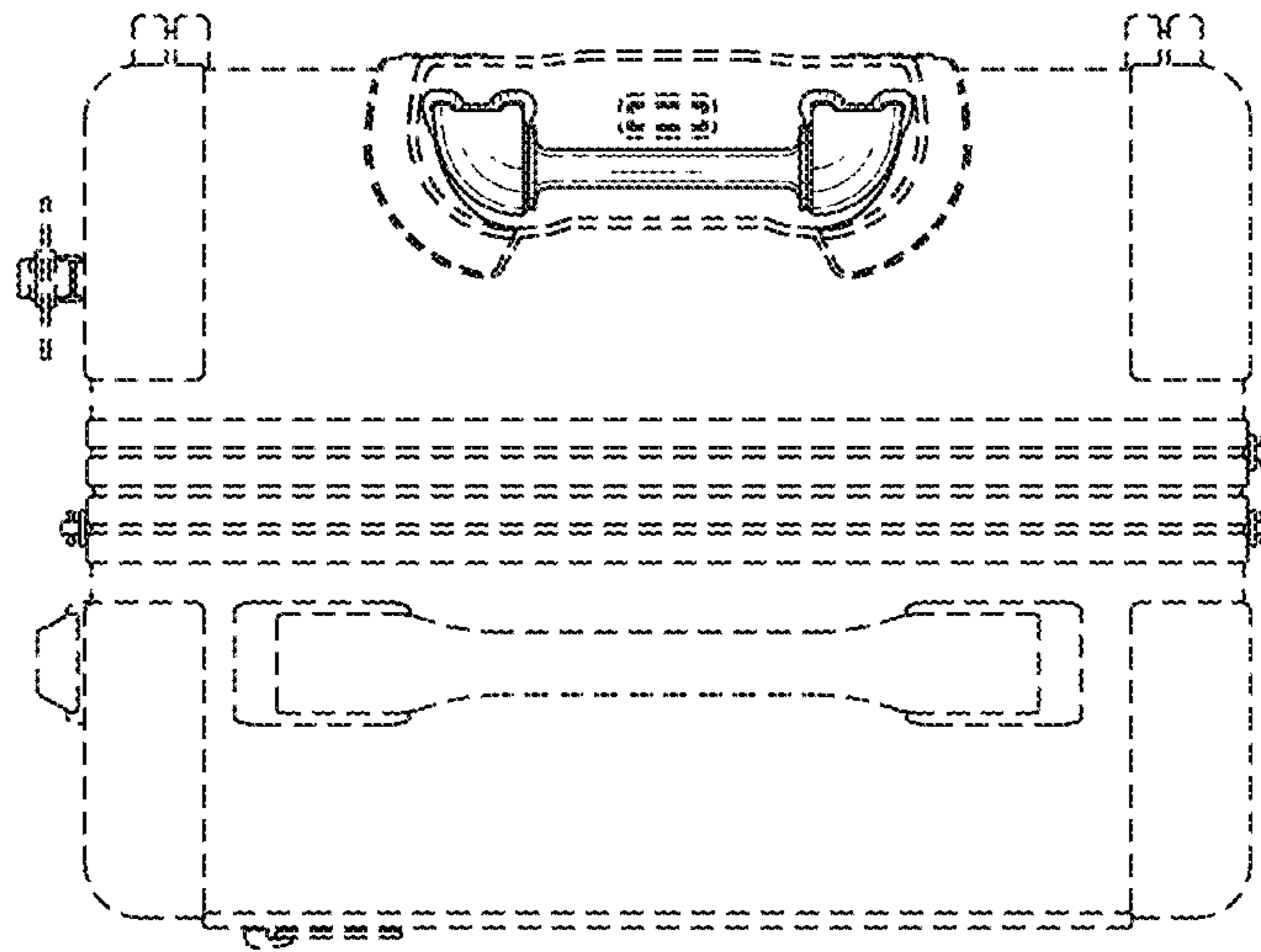


FIG. 12