



US00D771943S

(12) **United States Design Patent** (10) **Patent No.:** **US D771,943 S**
Milstead et al. (45) **Date of Patent:** **** Nov. 22, 2016**

(54) **UNIVERSAL MEDIA POCKET**

(71) Applicant: **Wal-Mart Stores, Inc.**, Bentonville, AR (US)

(72) Inventors: **Wendy Milstead**, Bentonville, AR (US); **Jason Ulichnie**, Bentonville, AR (US)

(73) Assignee: **WAL-MART STORES, INC.**, Bentonville, AR (US)

(**) Term: **14 Years**

(21) Appl. No.: **29/498,141**

(22) Filed: **Jul. 31, 2014**

(51) **LOC (10) Cl.** **03-01**

(52) **U.S. Cl.**
USPC **D3/303**

(58) **Field of Classification Search**
USPC D3/319, 303
CPC A47C 7/62; A47C 1/14
See application file for complete search history.

(56) **References Cited**

U.S. PATENT DOCUMENTS

D615,275 S *	5/2010	Hacker	D3/319
9,192,240 B2 *	11/2015	Kane	A47C 7/62
2013/0328362 A1 *	12/2013	Miller	A47C 7/62
				297/188.2

* cited by examiner

Primary Examiner — Holly Baynham

(74) *Attorney, Agent, or Firm* — Schmeiser, Olsen & Watts LLP

(57) **CLAIM**

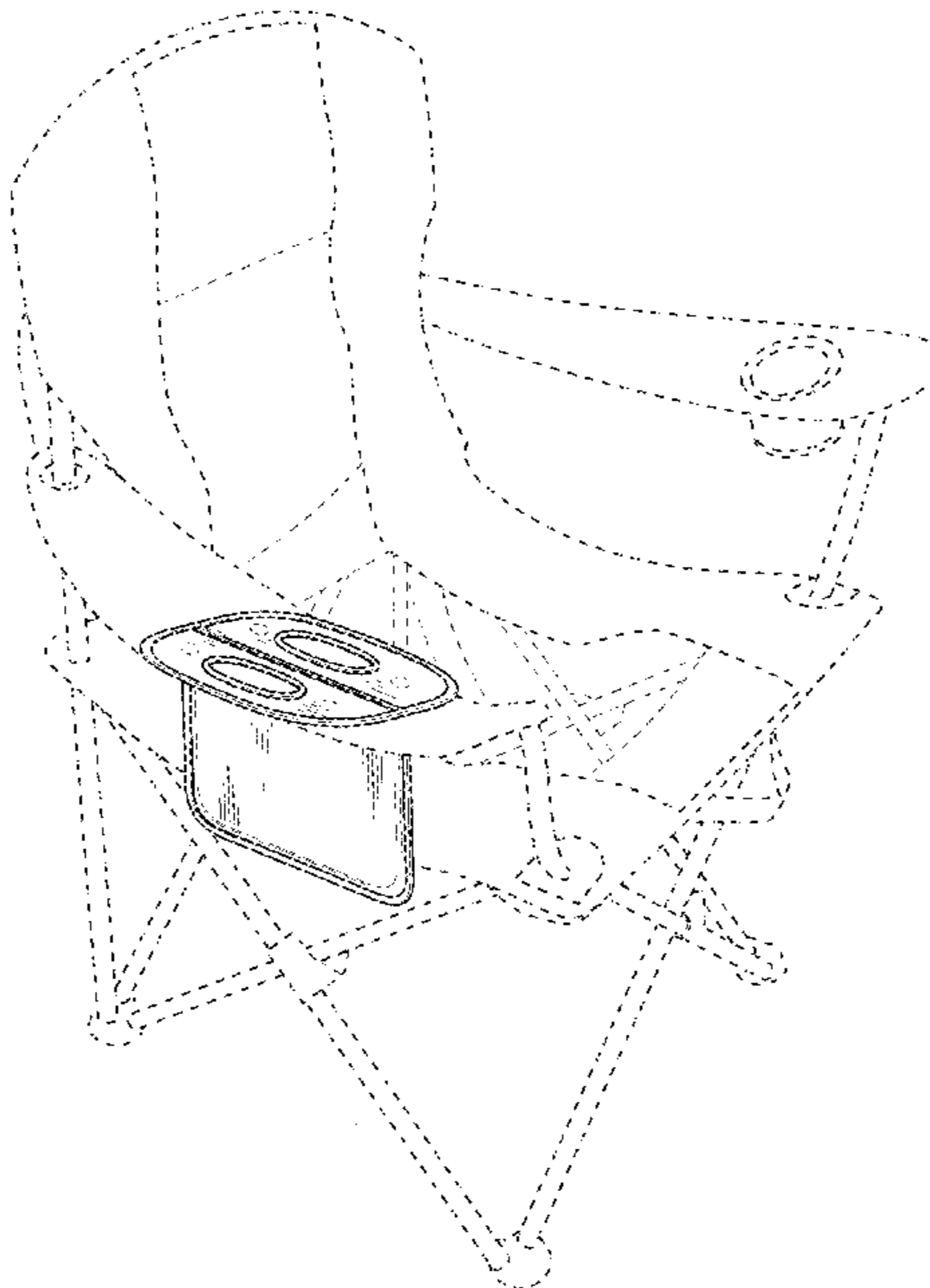
The ornamental design for a universal media pocket, as shown and described.

DESCRIPTION

FIG. 1 is a perspective view of a universal media pocket in an example use in a chair;
 FIG. 2 is a perspective view of the universal media pocket showing a pair of handles in a first position;
 FIG. 3 is a right side elevation view of the universal media pocket;
 FIG. 4 is a left side elevation view of the universal media pocket;
 FIG. 5 is a front side elevation view of the universal media pocket;
 FIG. 6 is a back side elevation view of the universal media pocket;
 FIG. 7 is a top view of the universal media pocket;
 FIG. 8 is a perspective view of the universal media pocket showing the pair of handles in a second position;
 FIG. 9 is a right side elevation view of the universal media pocket showing the pair of handles in the second position;
 FIG. 10 is a left side elevation view of the universal media pocket showing the pair of handles in the second position;
 FIG. 11 is a front side elevation view of the universal media pocket showing the pair of handles in the second position;
 FIG. 12 is a back side elevation of the universal media pocket showing the pair of handles in the second position;
 FIG. 13 is a bottom view of the universal media pocket showing the pair of handles in the second position; and,
 FIG. 14 is a top view of the universal media pocket showing the pair of handles in the second position.

The purpose of the broken line(s) is to show environmental structure or boundaries that form no part of the claimed design.

1 Claim, 12 Drawing Sheets



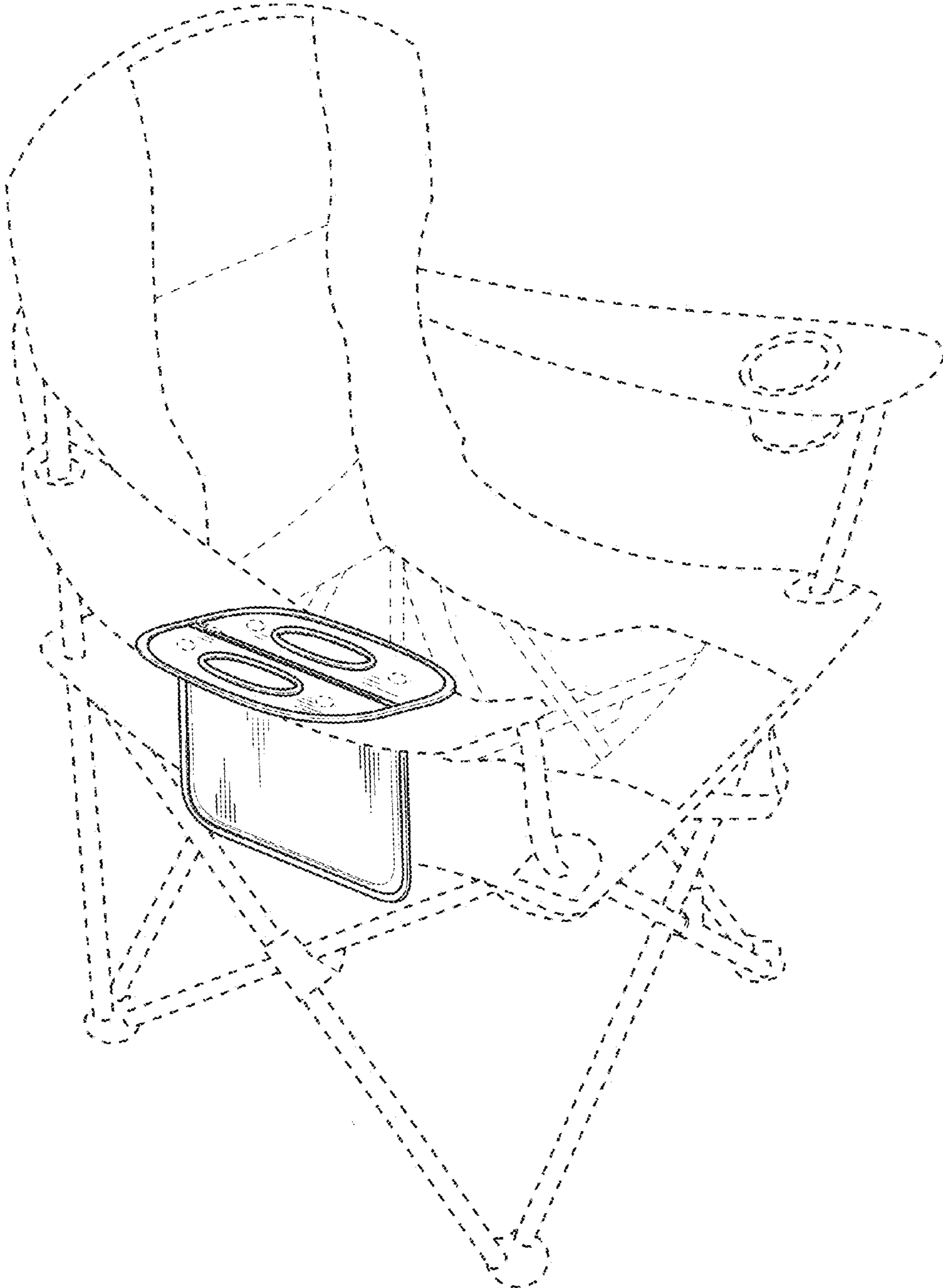


FIG. 1

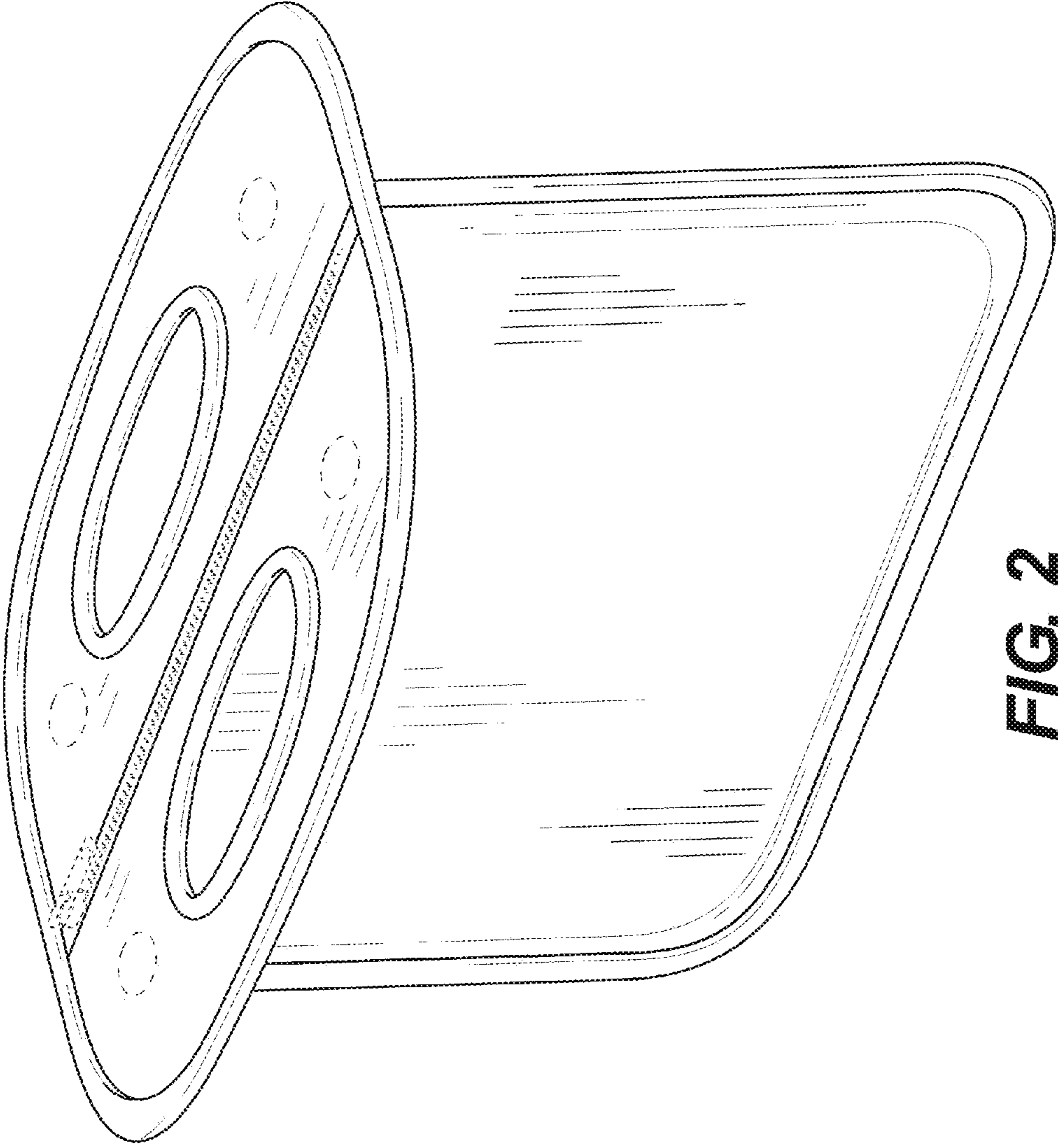


FIG. 2

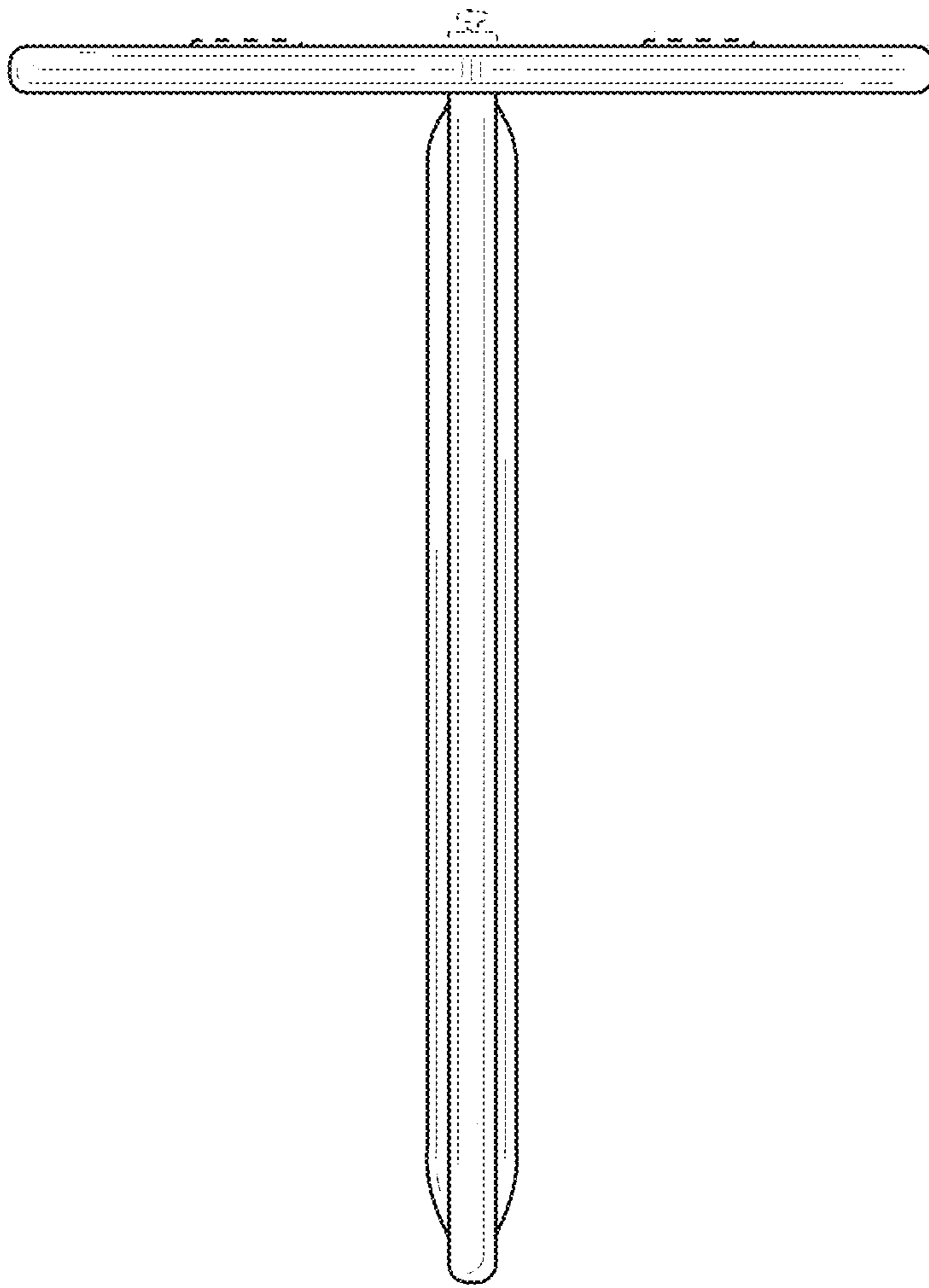


FIG. 3

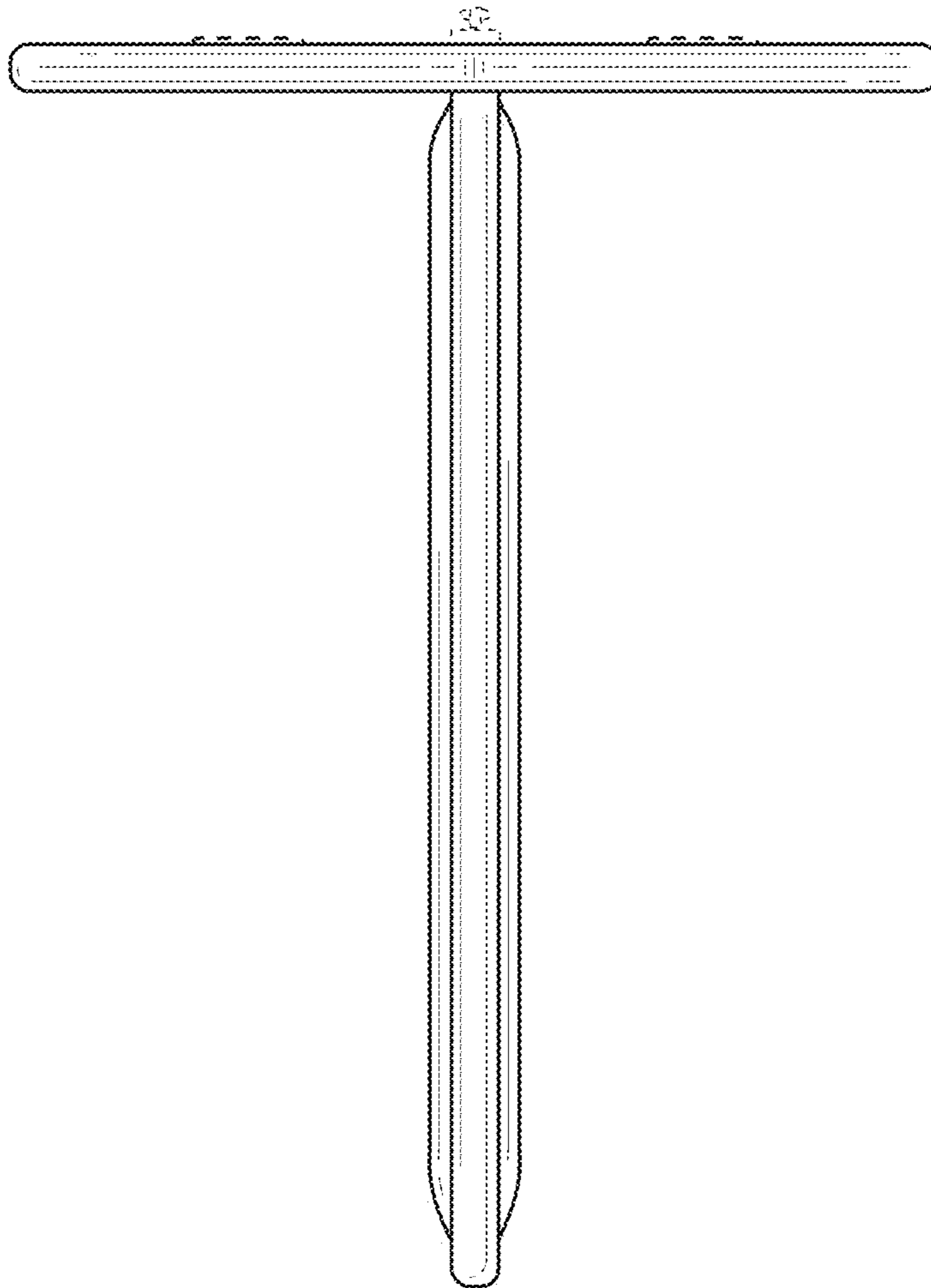


FIG. 4

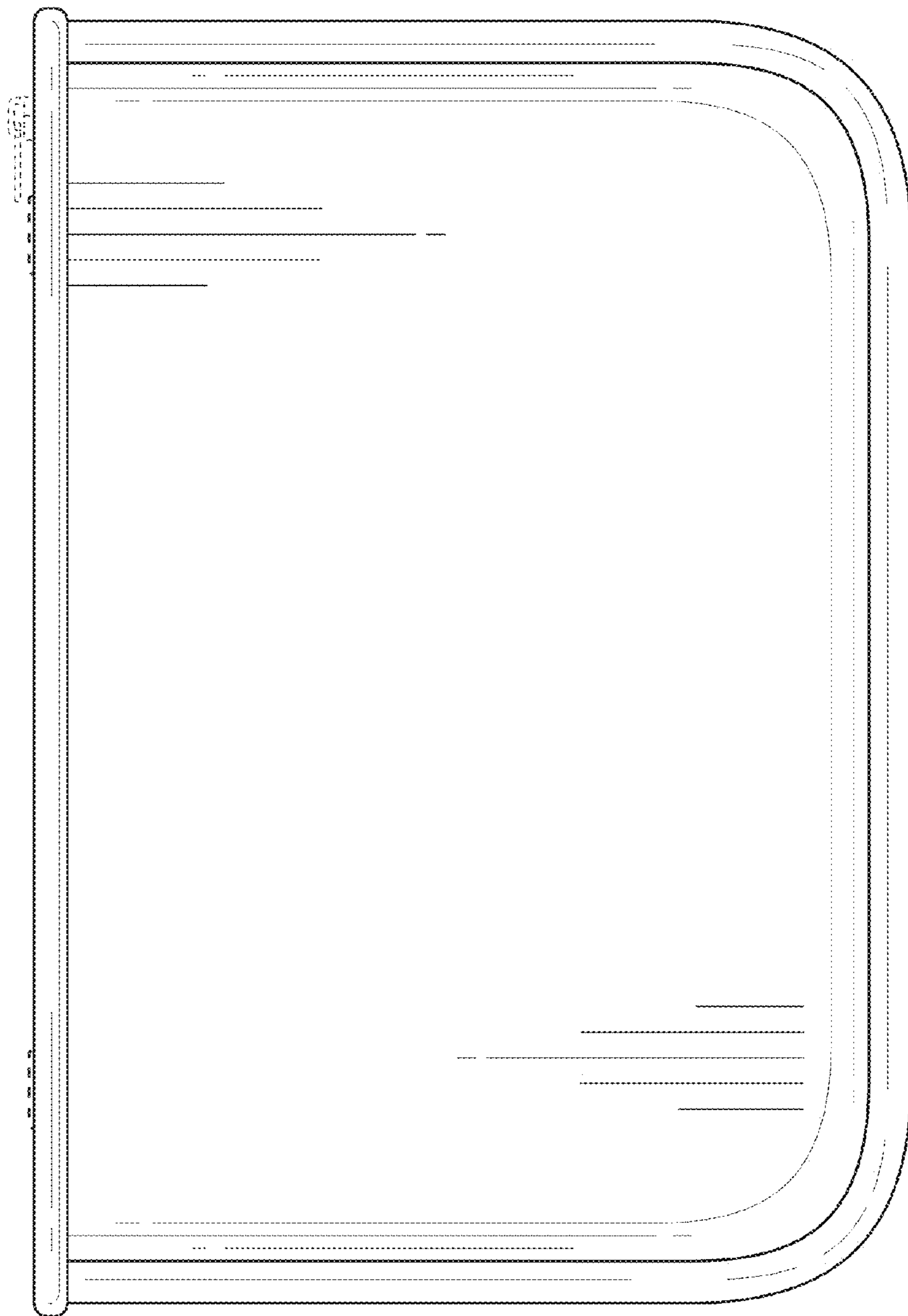


FIG. 5

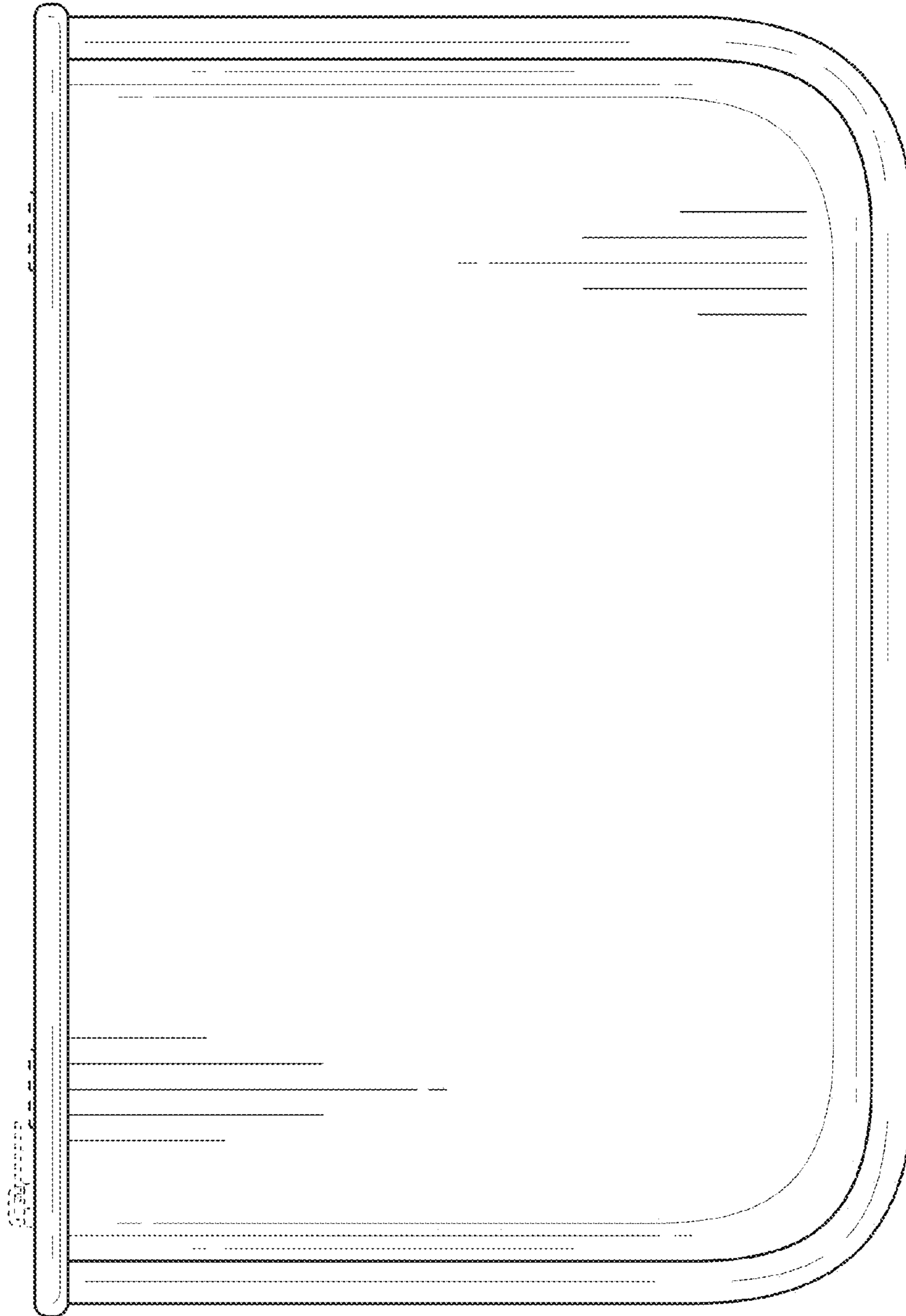


FIG. 6

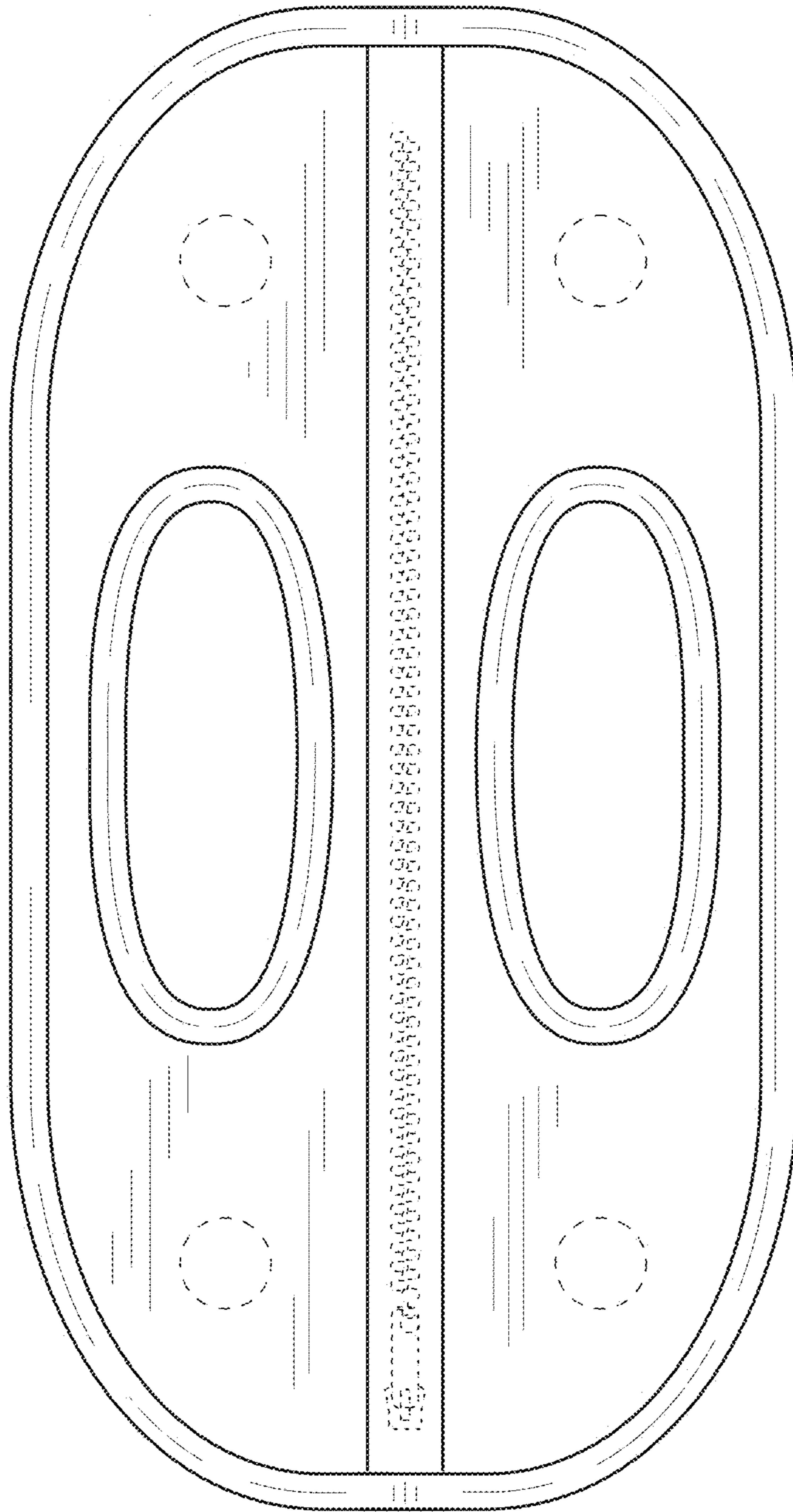


FIG. 7

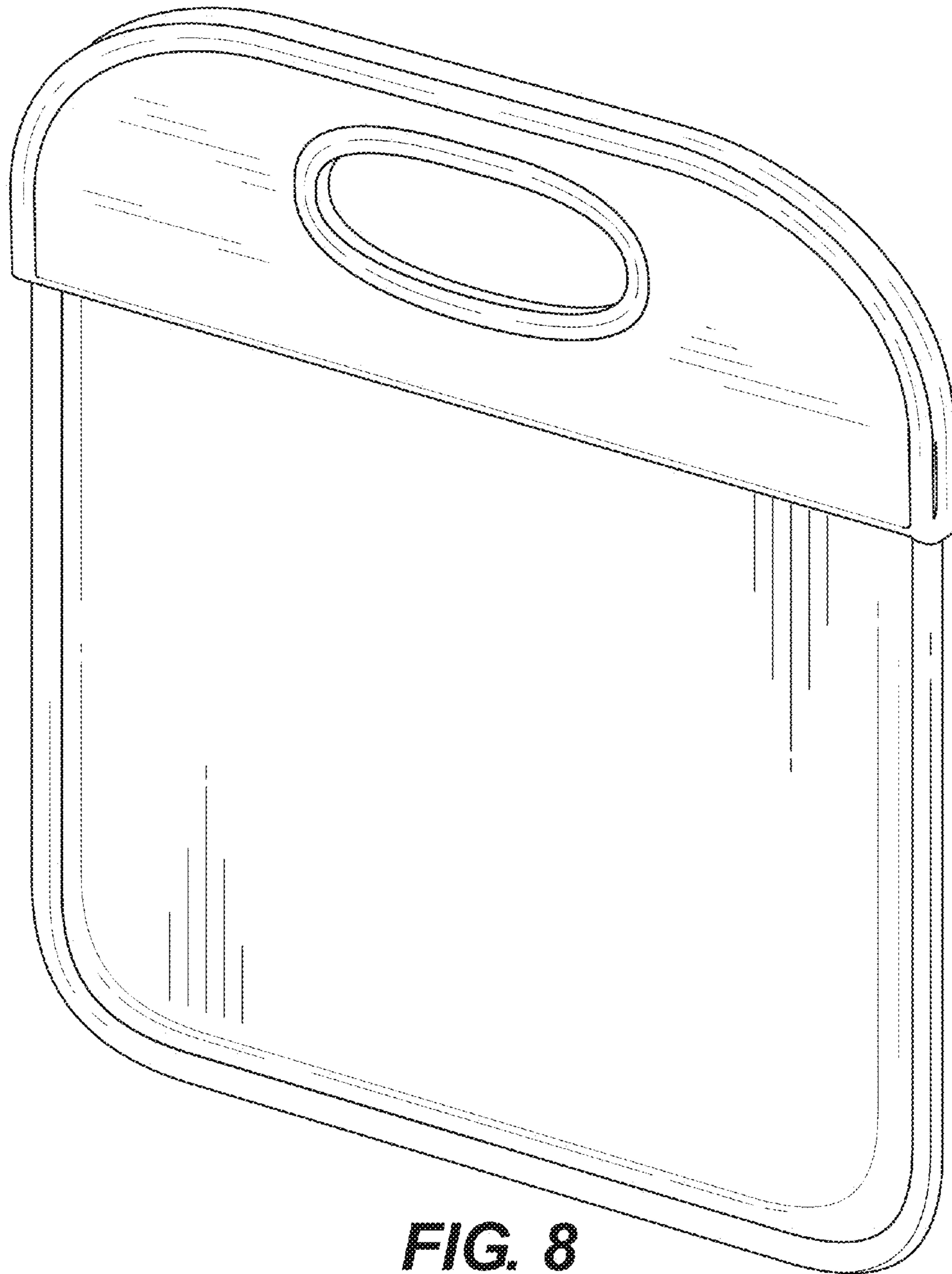


FIG. 8

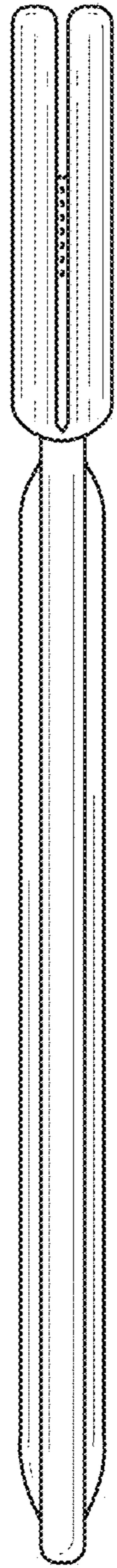


FIG. 9

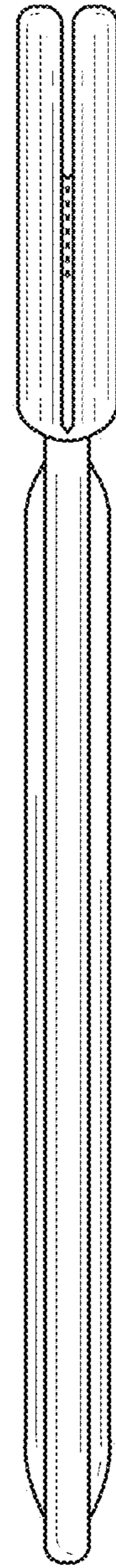


FIG. 10

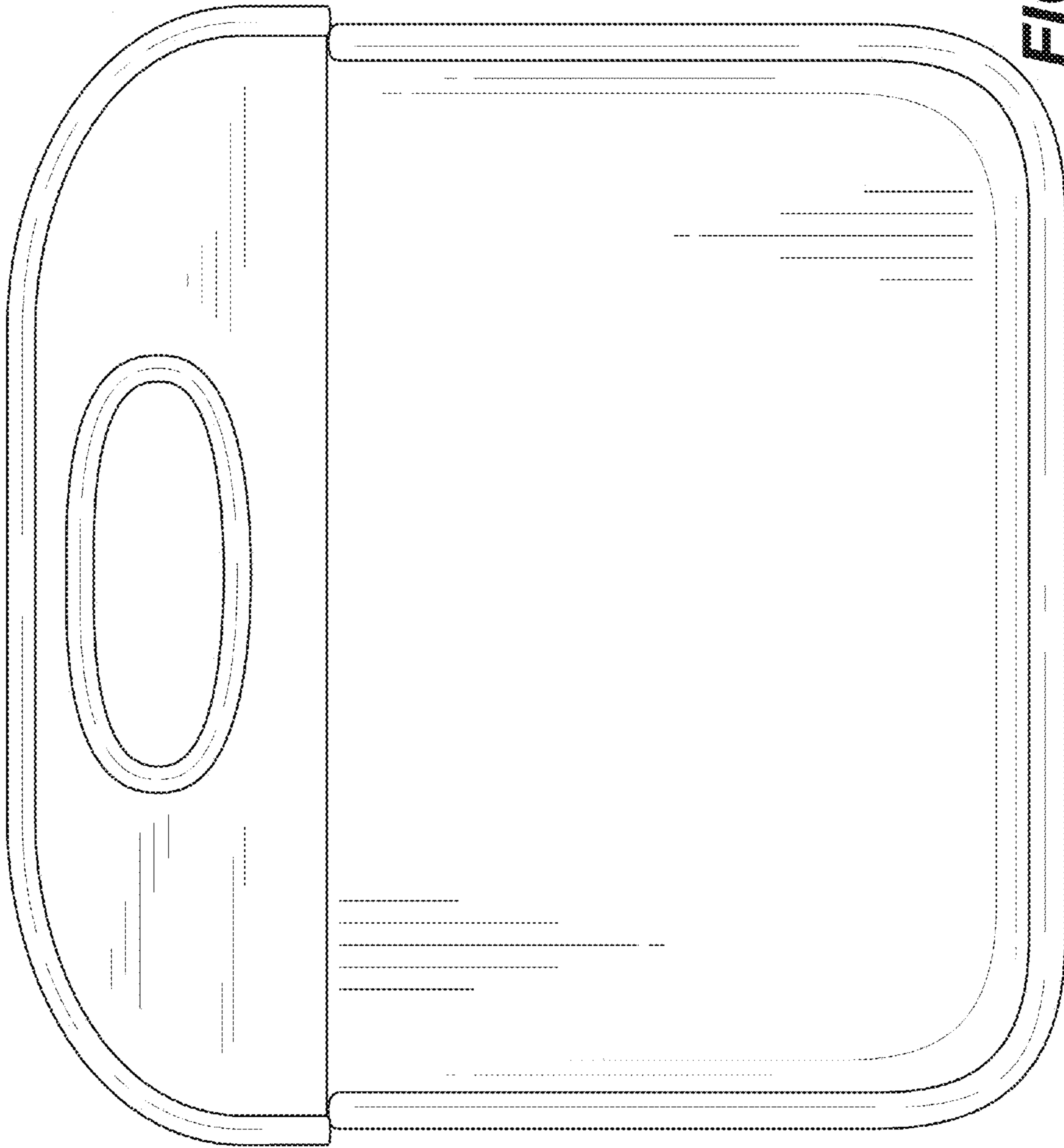


FIG. 11

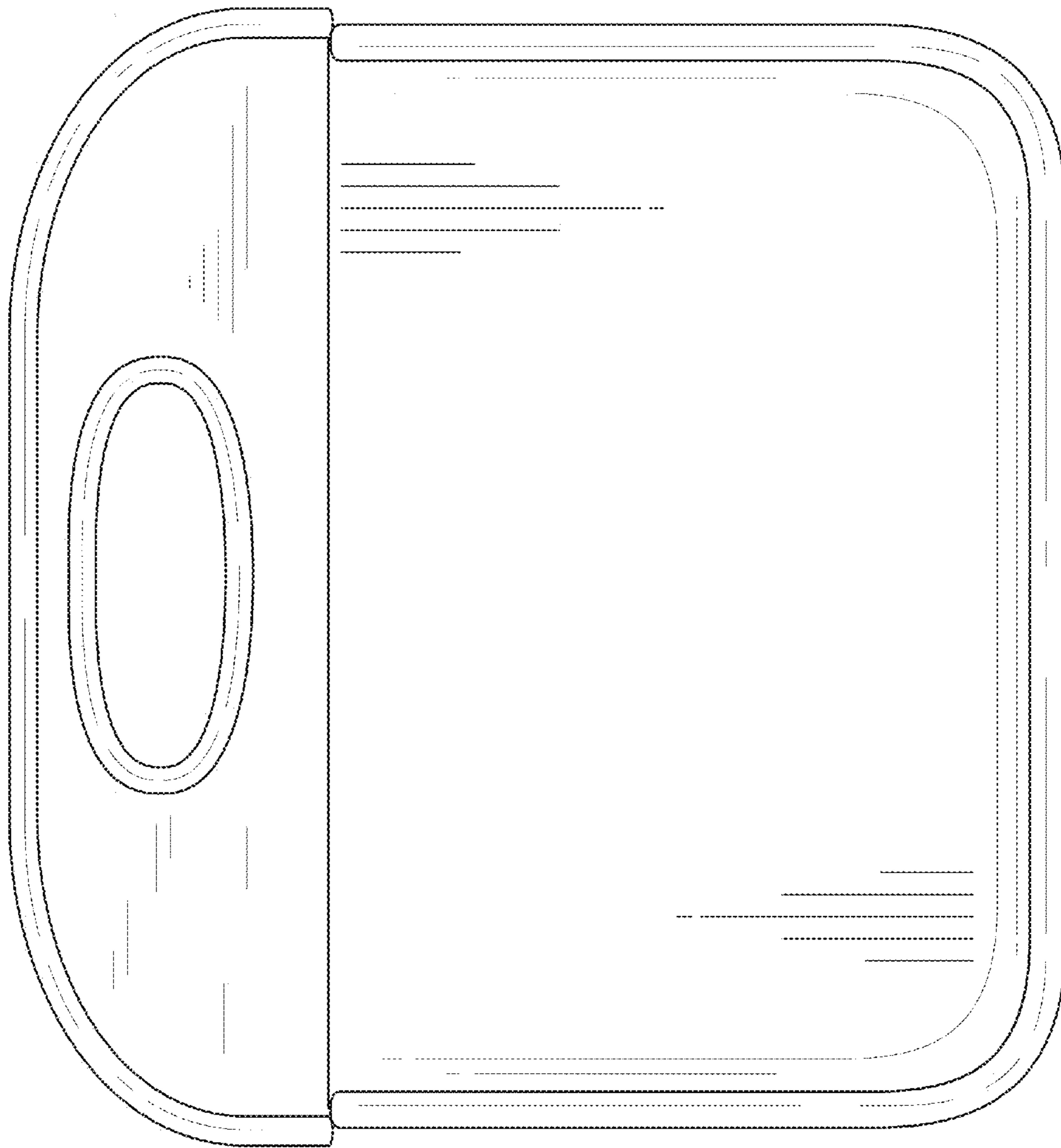


FIG. 12

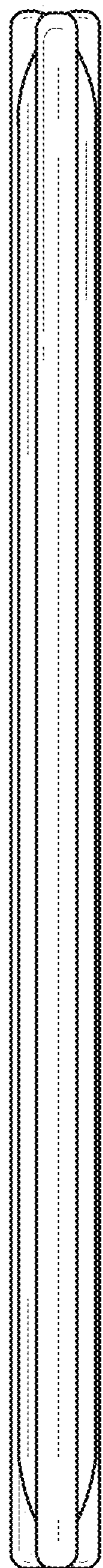


FIG. 13

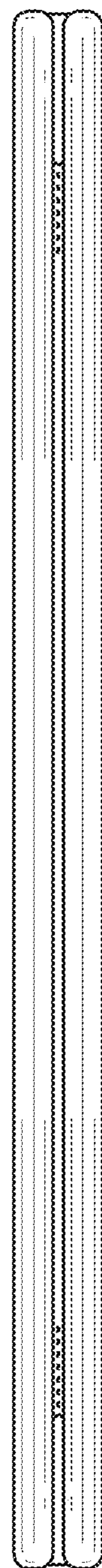


FIG. 14