



US00D771942S

(12) **United States Design Patent** (10) **Patent No.:** **US D771,942 S**
Wu (45) **Date of Patent:** **** Nov. 22, 2016**

(54) **BRIEFCASE**

(71) Applicant: **TUMI, INC.**, South Plainfield, NJ (US)

(72) Inventor: **Peter C. Wu**, Sunnyside, NY (US)

(73) Assignee: **TUMI, INC**, South Plainfield, NJ (US)

(**) Term: **15 Years**

(21) Appl. No.: **29/526,896**

(22) Filed: **May 13, 2015**

(51) **LOC (10) Cl.** **03-01**

(52) **U.S. Cl.**

USPC **D3/301**; D3/289; D3/900

(58) **Field of Classification Search**

USPC D3/273, 274, 276, 278, 281, 283, 284,
D3/285, 286, 287, 288, 289, 290, 291, 293,
D3/294, 295, 299, 301, 300, 900, 902

CPC A45C 5/03; A45C 5/032; A45C 5/035;
A45C 5/037; A45C 3/02

See application file for complete search history.

(56) **References Cited**

U.S. PATENT DOCUMENTS

D346,694 S *	5/1994	Cyr	D3/287
D445,252 S *	7/2001	Klamm	D3/276
D447,631 S *	9/2001	Hillman	D3/276
D464,197 S *	10/2002	Kegels	D3/276
D505,012 S *	5/2005	Godshaw	D3/287
D524,050 S *	7/2006	Suppangig	D3/289
D548,463 S *	8/2007	Gossett	D3/287
D548,965 S *	8/2007	Aliberti	D3/283
D591,045 S *	4/2009	Chu	D3/283
D596,398 S *	7/2009	Chu	D3/283
D672,959 S *	12/2012	Denzinger	D3/289
D677,466 S *	3/2013	Passavant	D3/290
D703,439 S *	4/2014	Fair	D3/289
2004/0045781 A1 *	3/2004	Sciicluna	A45C 13/42 190/110

OTHER PUBLICATIONS

Google.com image search for "tumi briefcase", performed on May 9, 2016.*

Bag to Brag Shop, "Tumi Hamilton slim briefcase", Accessed May 9, 2016. (<http://bagtobrag.com/hamilton-slim-briefcase/shop/tumi-hamilton-slim-briefcase>).*

* cited by examiner

Primary Examiner — Jennifer Rivard

Assistant Examiner — April Rivas

(74) *Attorney, Agent, or Firm* — Lando & Anastasi, LLP

(57) **CLAIM**

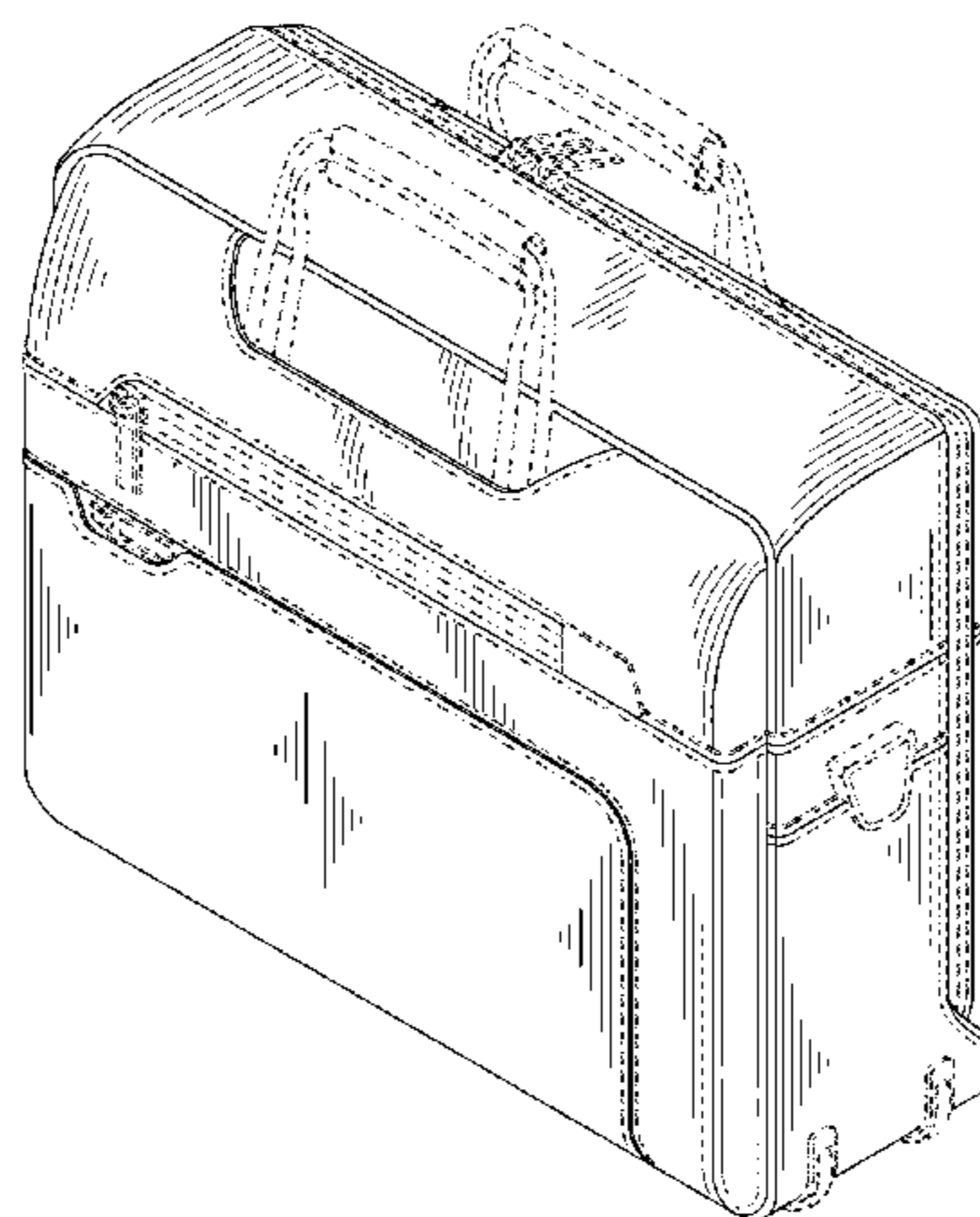
The ornamental design for a briefcase, as shown and described.

DESCRIPTION

FIG. 1 is a top perspective view of the briefcase;
FIG. 2 is a front view of the briefcase;
FIG. 3 is a rear view of the briefcase;
FIG. 4 is a right side view of the briefcase;
FIG. 5 is a left side view of the briefcase;
FIG. 6 is a top view of the briefcase;
FIG. 7 is a bottom view of the briefcase;
FIG. 8 is a top perspective view of the briefcase in an alternative embodiment;
FIG. 9 is a front view of the briefcase in an alternative embodiment;
FIG. 10 is a rear view of the briefcase in an alternative embodiment;
FIG. 11 is a right side view of the briefcase in an alternative embodiment;
FIG. 12 is a left side view of the briefcase in an alternative embodiment;
FIG. 13 is a top view of the briefcase in an alternative embodiment; and,
FIG. 14 is a bottom view of the briefcase in an alternative embodiment.

The broken lines illustrate stitching. The remaining broken lines and the unshaded areas within illustrate portions of the briefcase. None of the broken lines forms part of the claimed design.

1 Claim, 14 Drawing Sheets



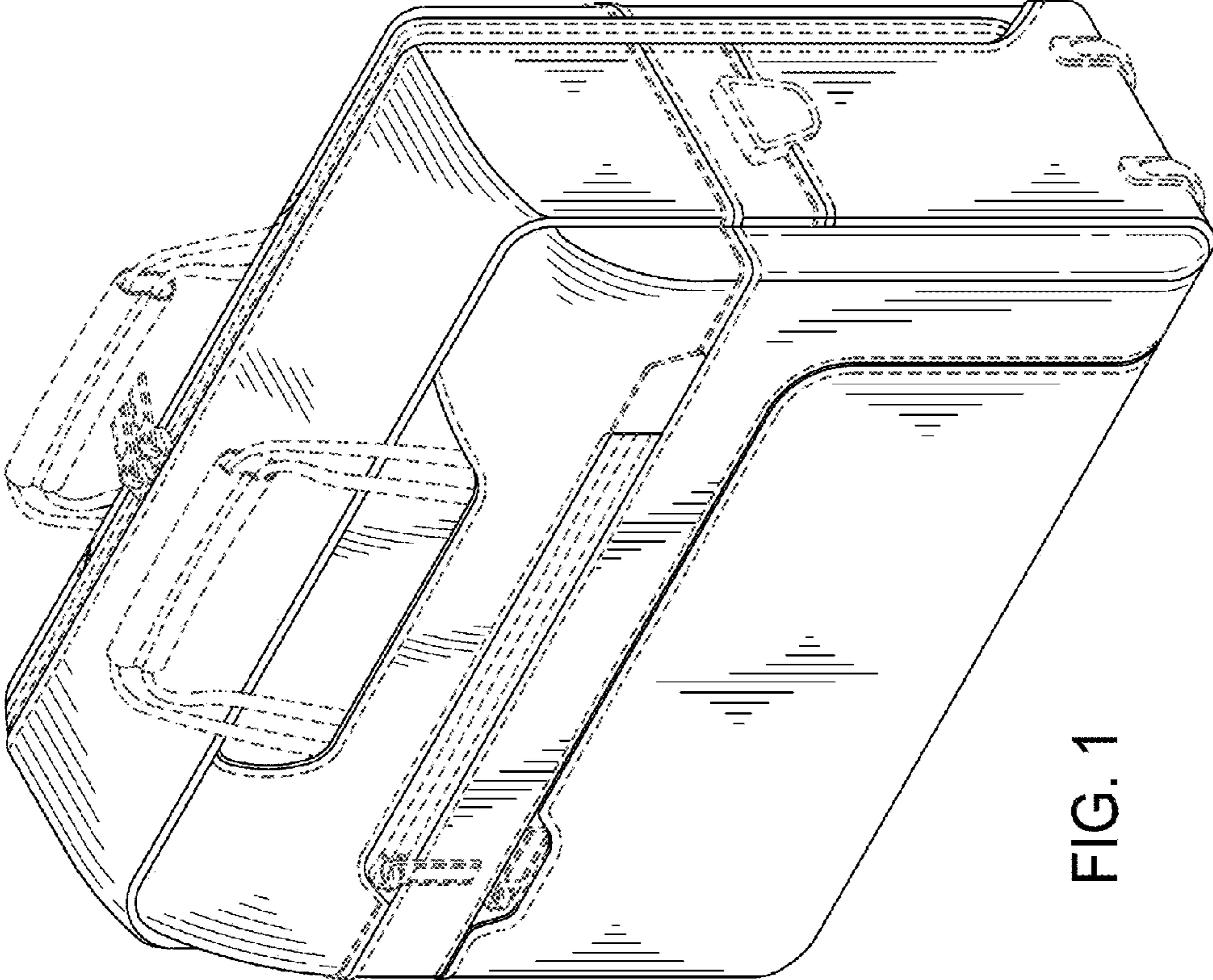


FIG. 1

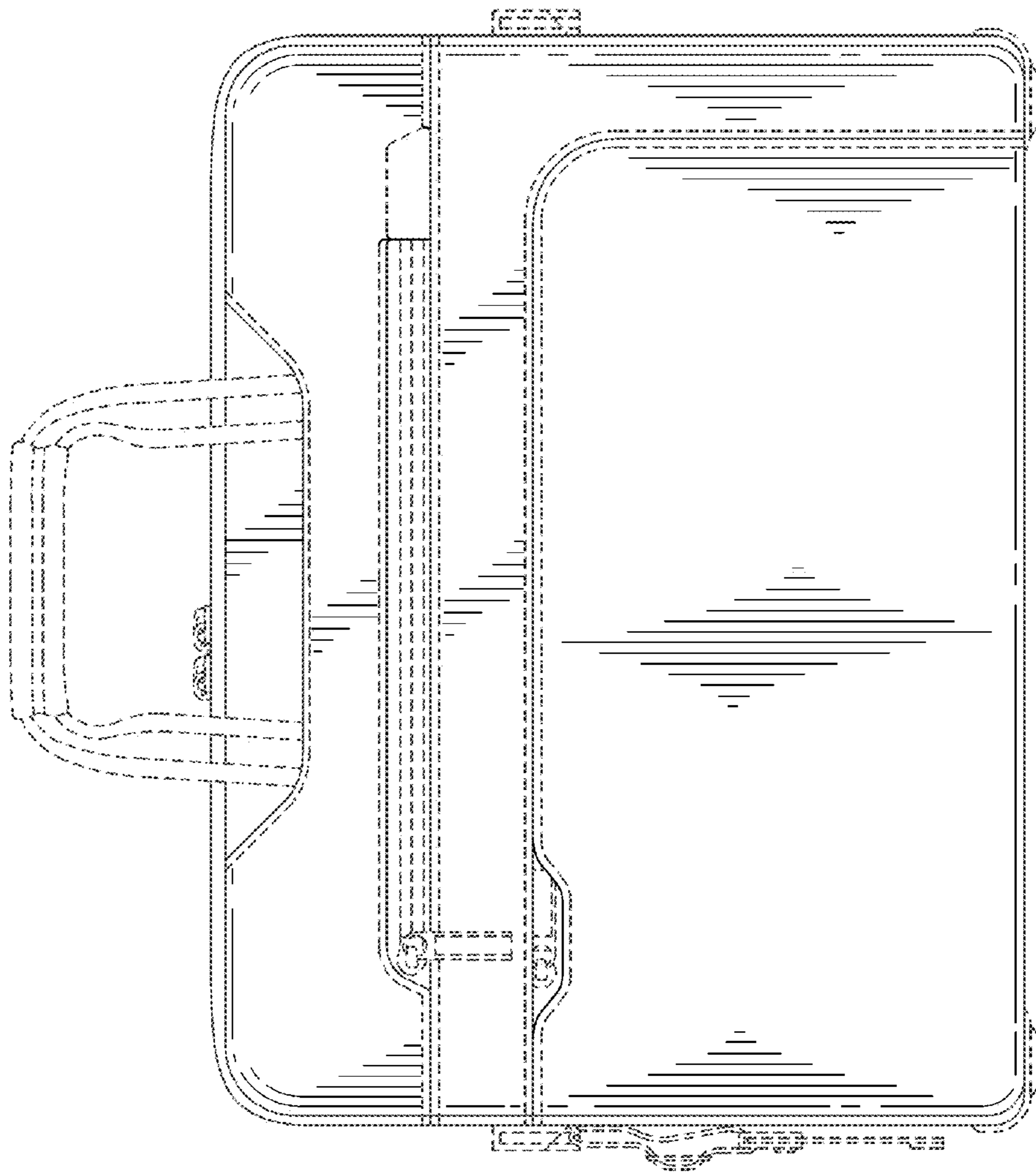


FIG. 2

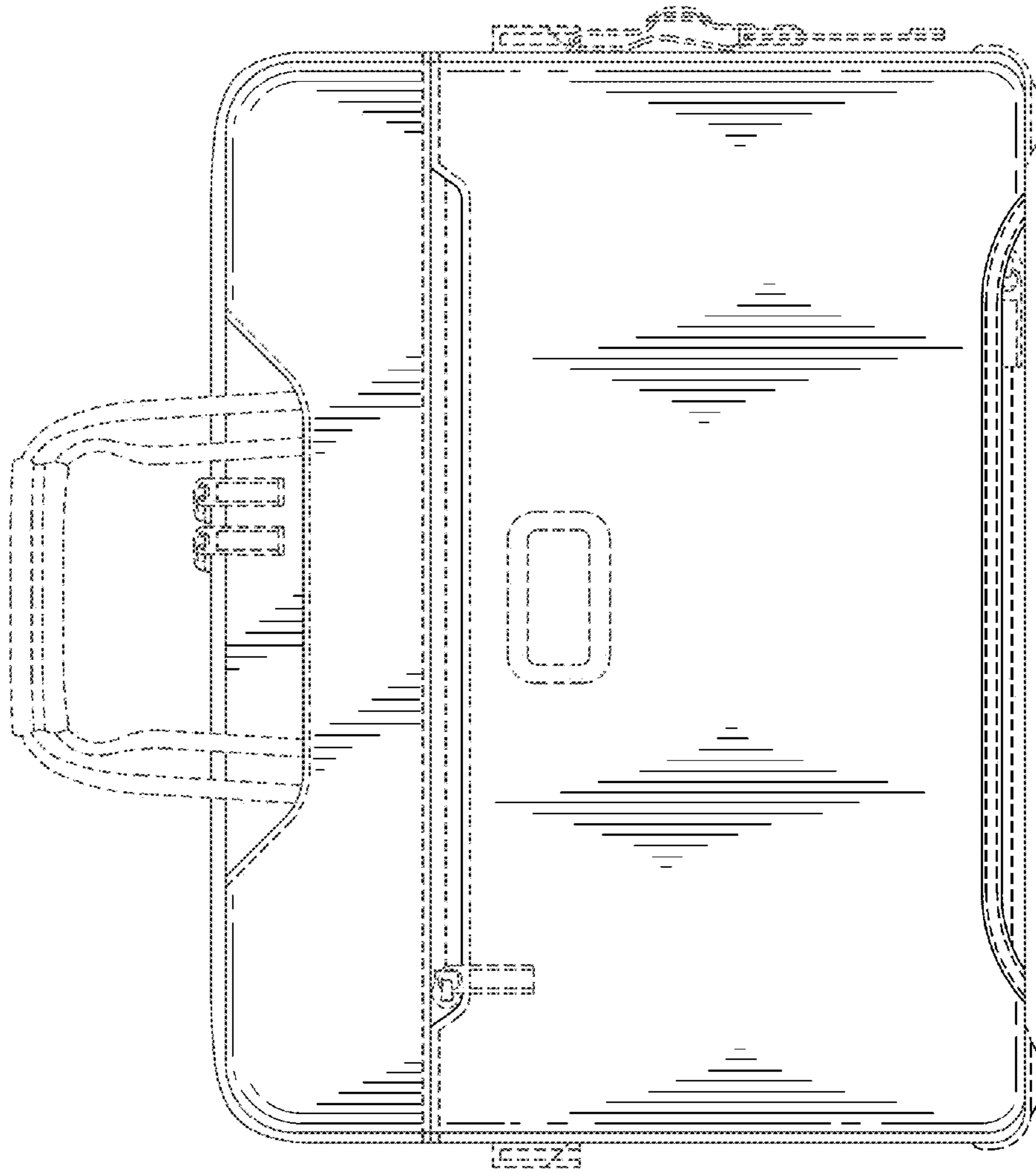


FIG. 3

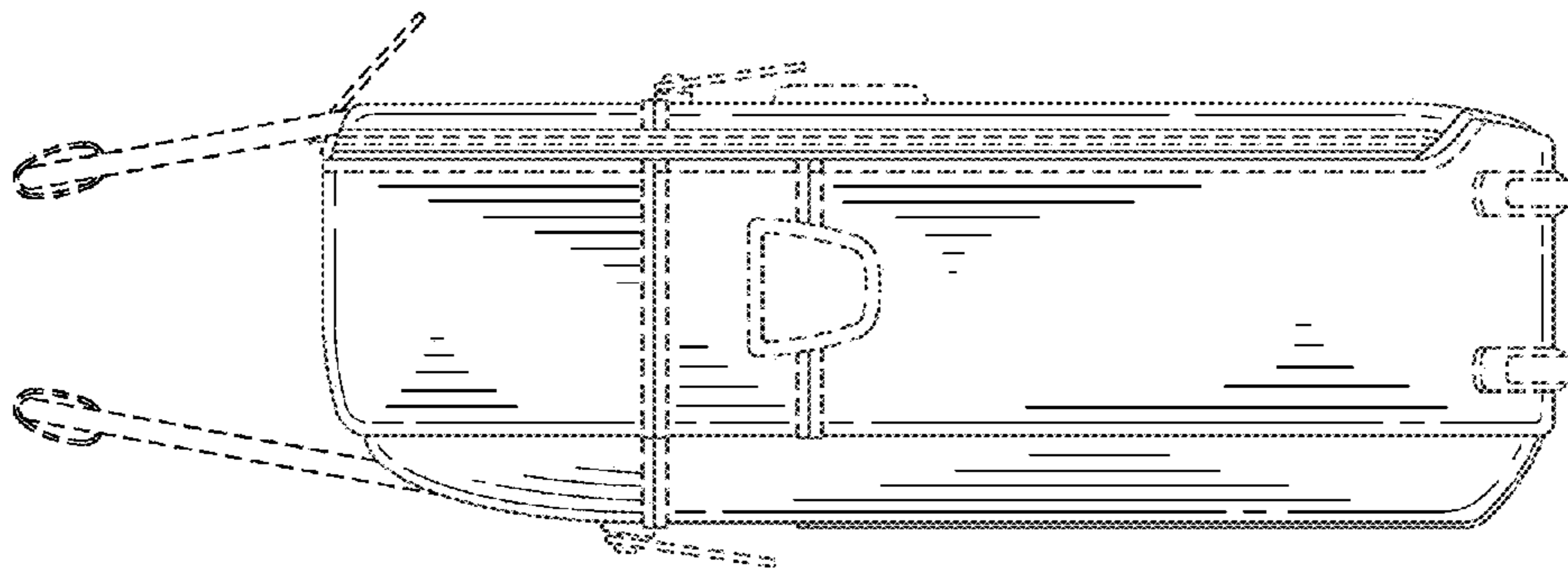


FIG. 4

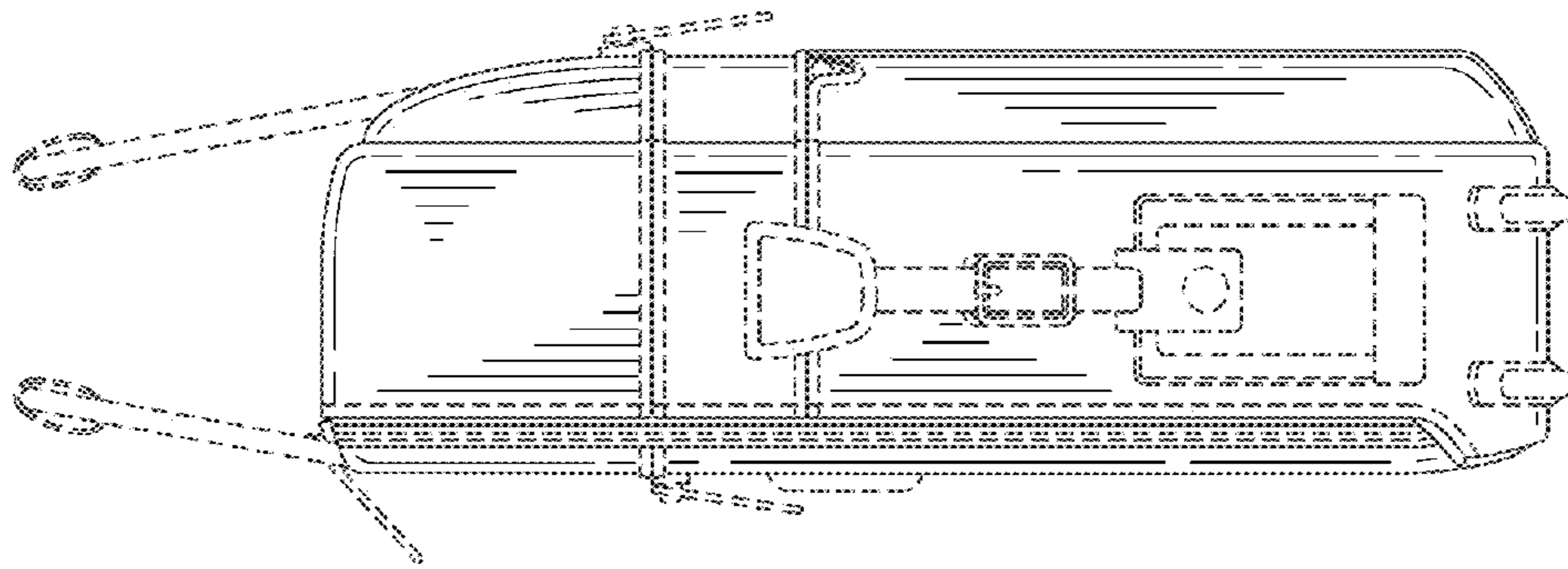


FIG. 5

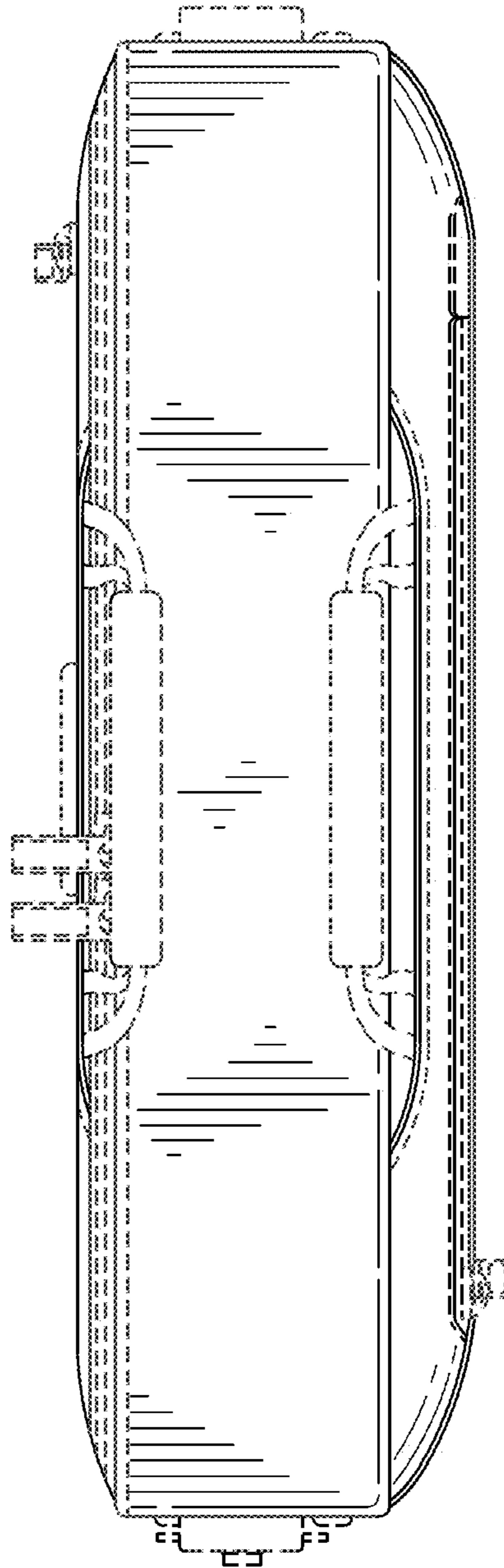


FIG. 6

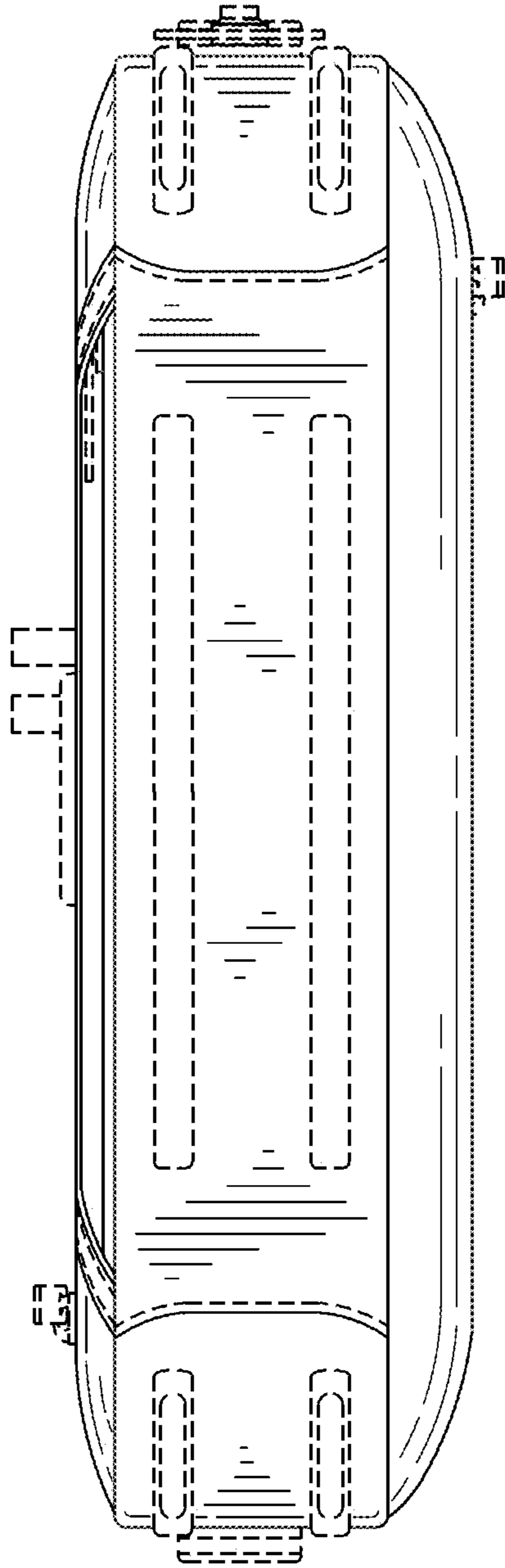


FIG. 7

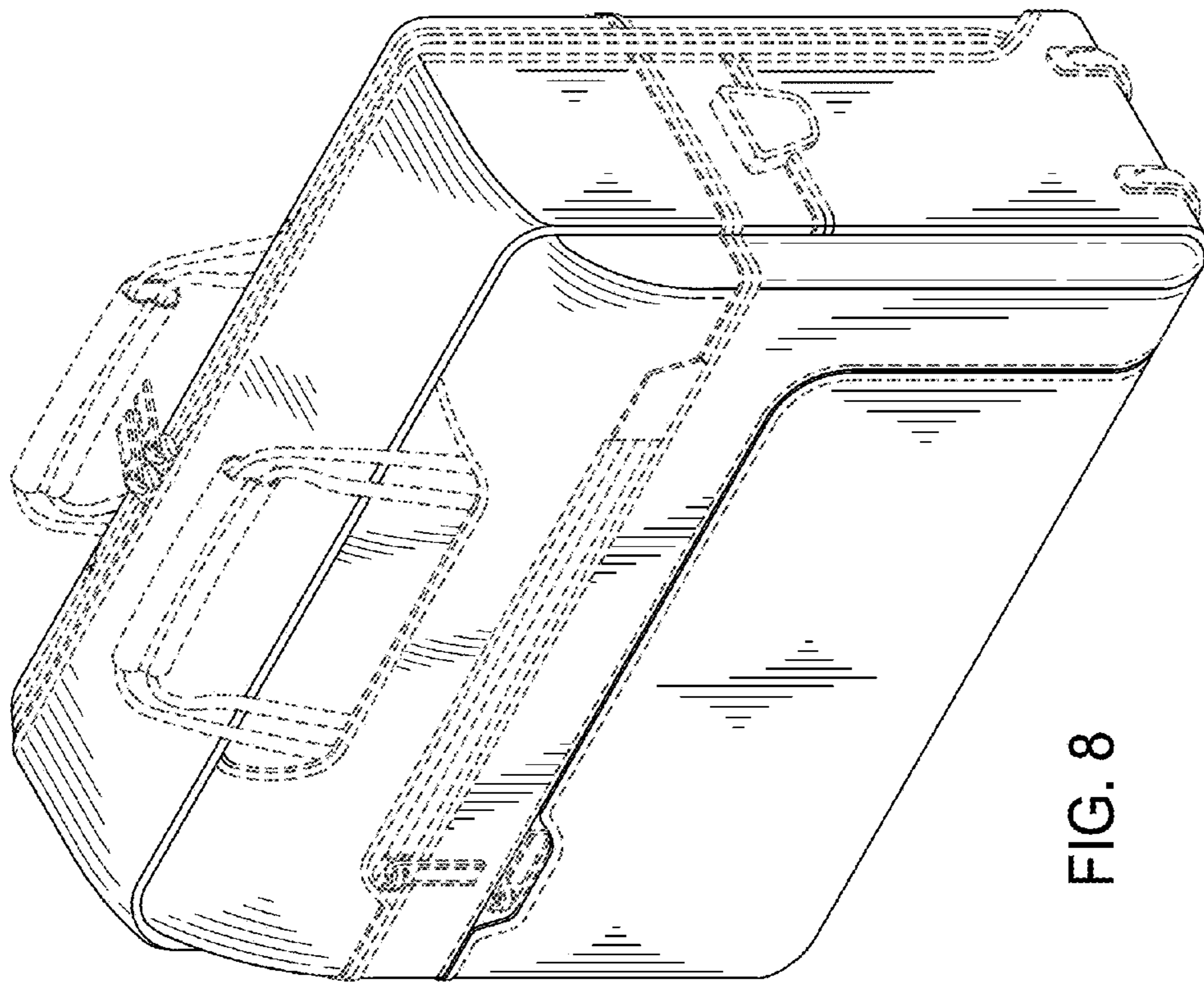


FIG. 8

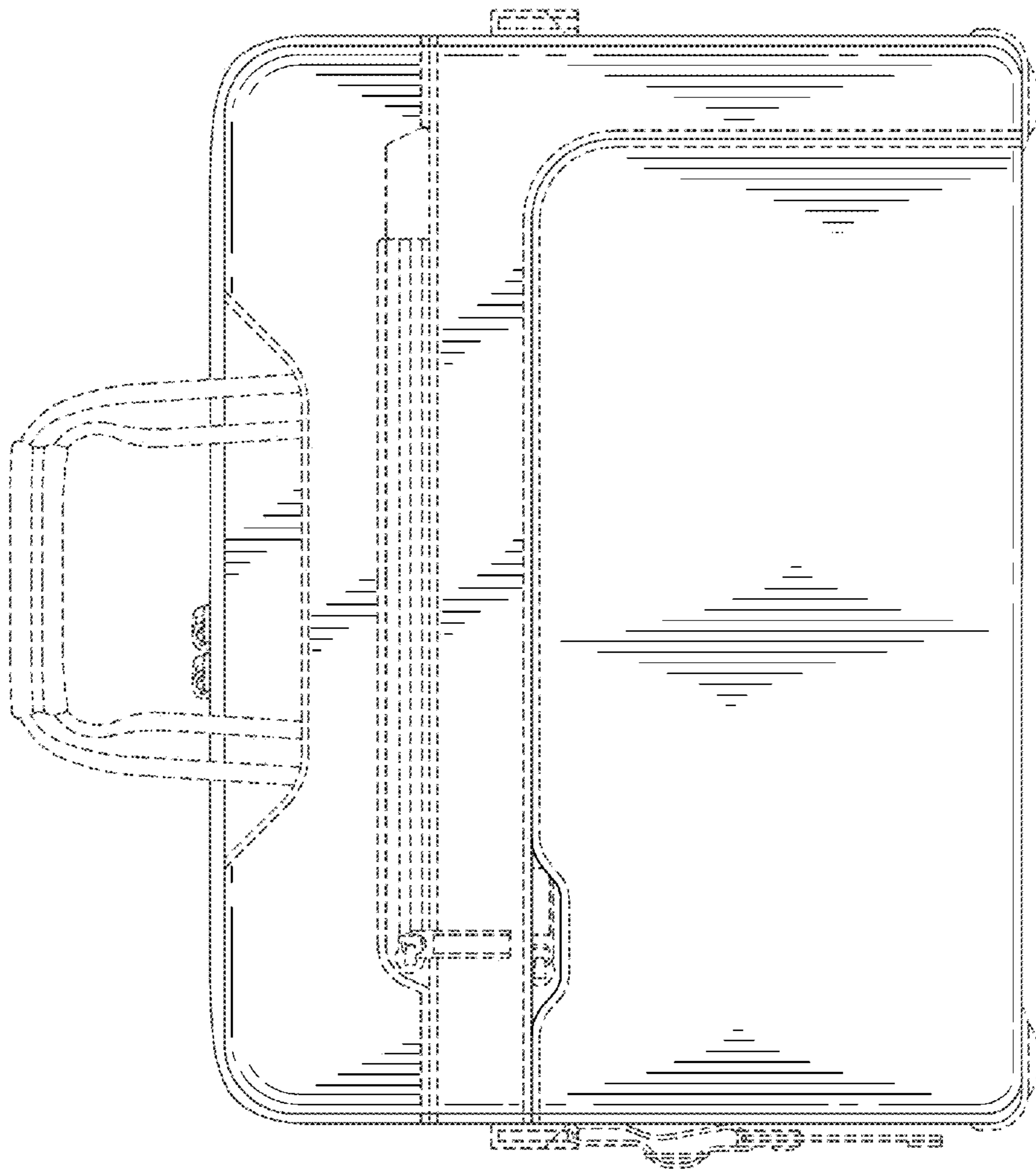


FIG. 9

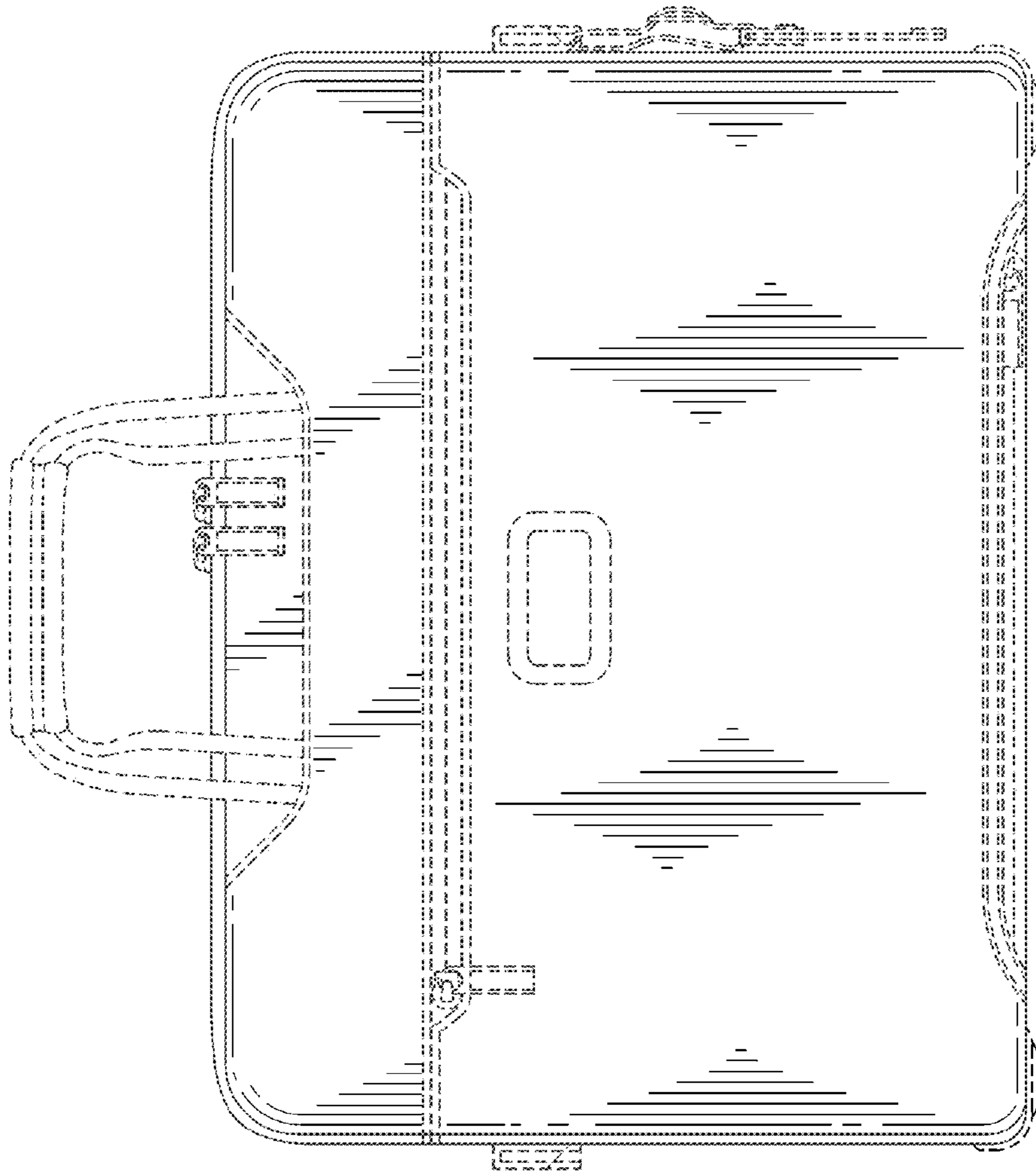


FIG. 10

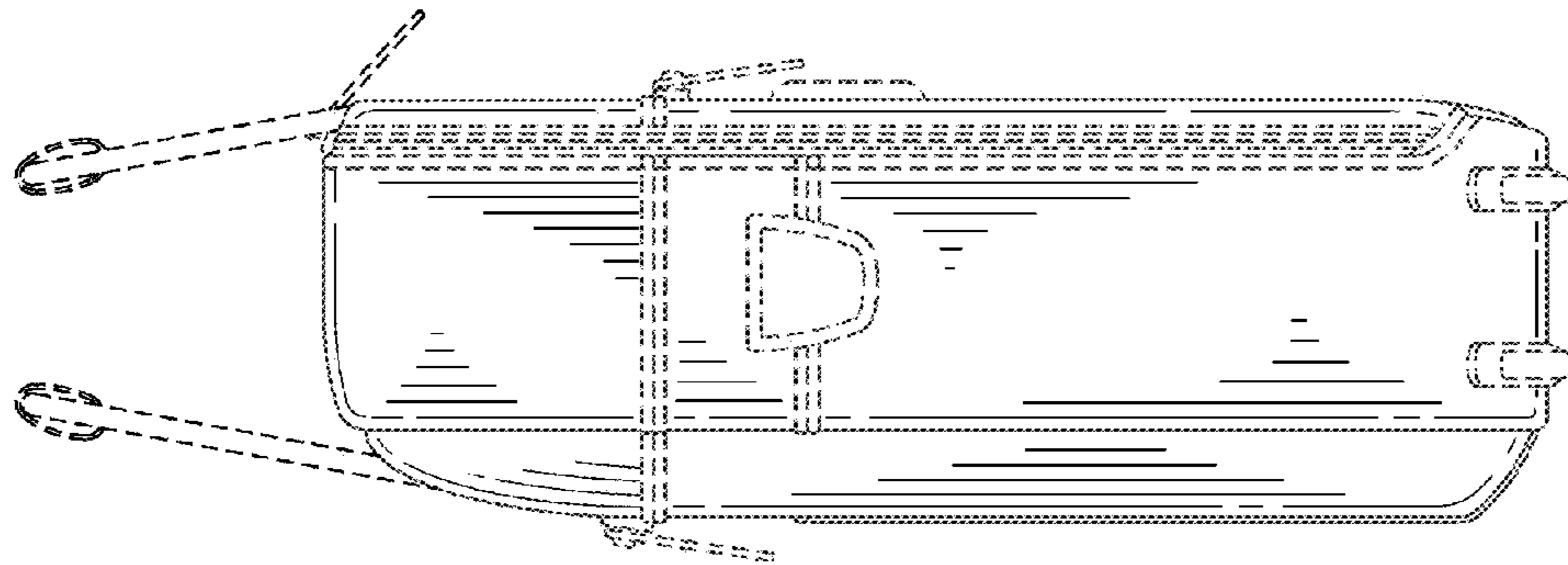


FIG. 11

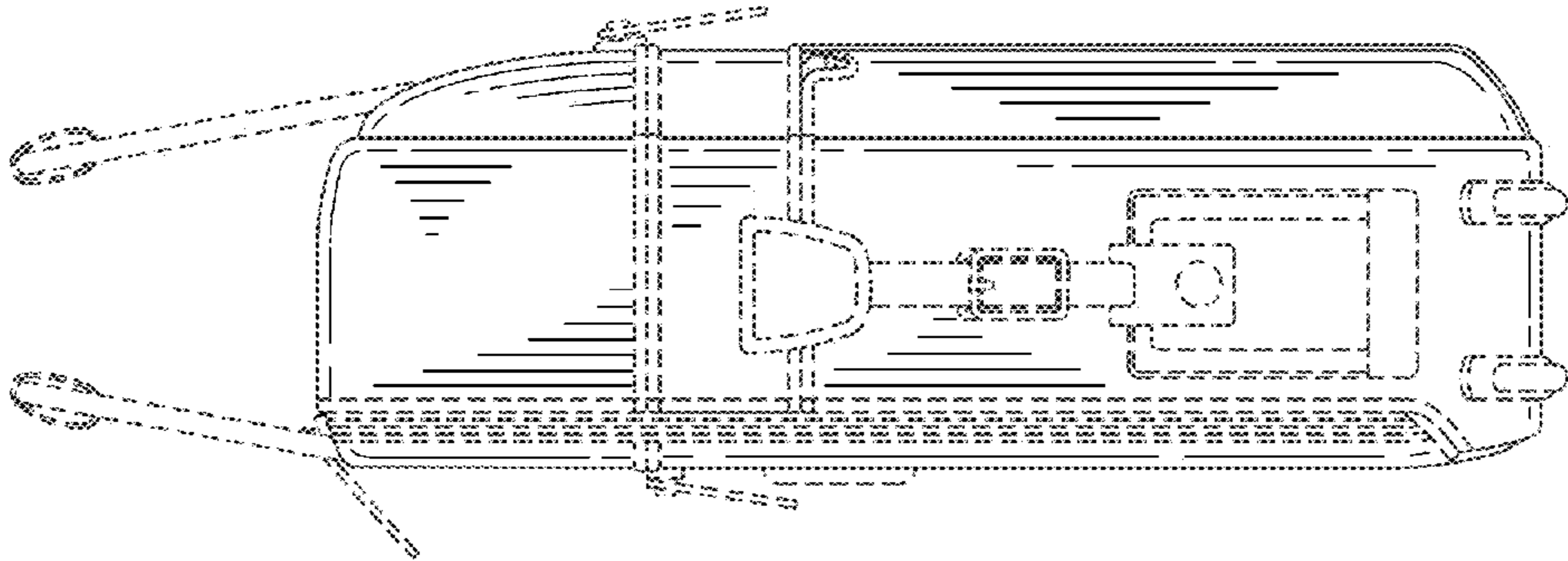


FIG. 12

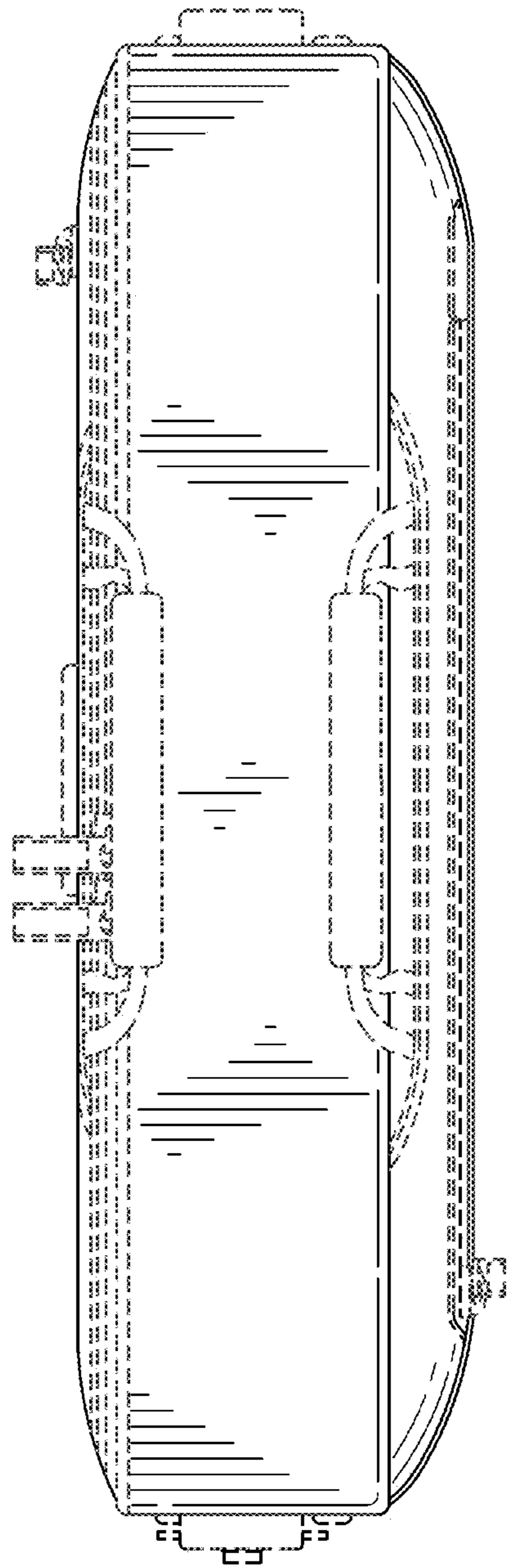


FIG. 13

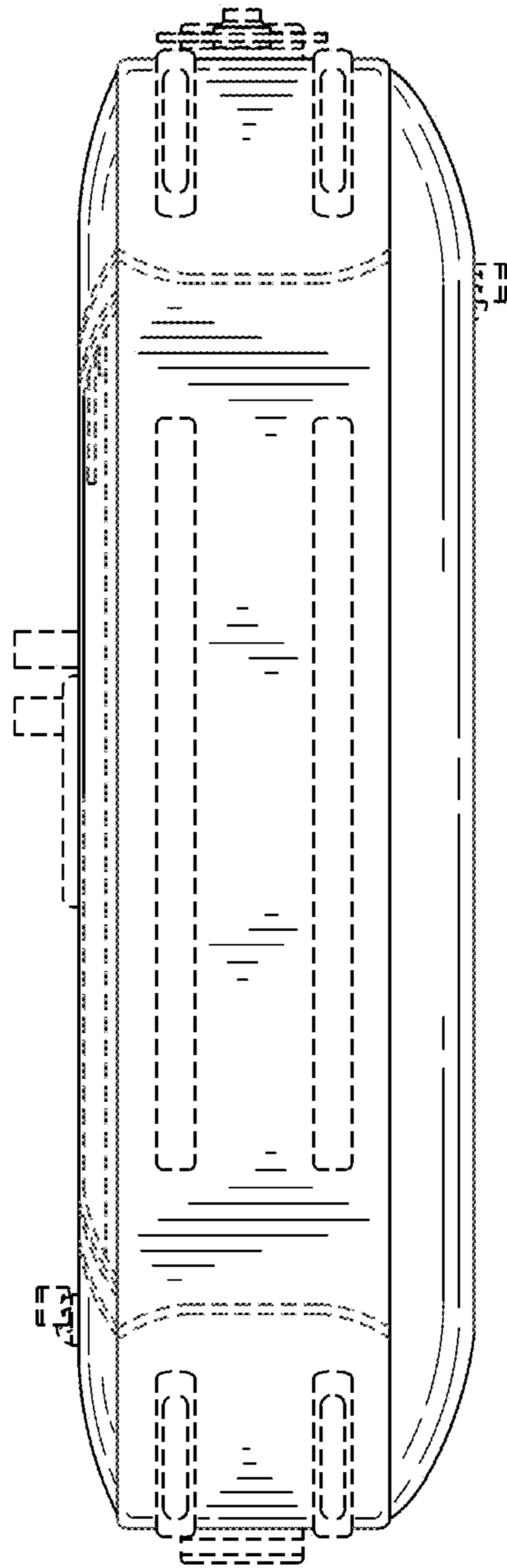


FIG. 14