



US00D771940S

(12) **United States Design Patent** (10) **Patent No.:** **US D771,940 S**
Wei (45) **Date of Patent:** **** Nov. 22, 2016**

(54) **HANDBAG**
(71) Applicant: **David Wei**, Shenzhen (CN)
(72) Inventor: **David Wei**, Shenzhen (CN)
(**) Term: **15 Years**
(21) Appl. No.: **29/531,615**
(22) Filed: **Jun. 27, 2015**
(51) **LOC (10) Cl.** **03-01**
(52) **U.S. Cl.**
USPC **D3/232**
(58) **Field of Classification Search**
USPC **D3/323**
CPC **A45C 1/024; A45C 3/06**
See application file for complete search history.

D548,458 S * 8/2007 Gregson, III D3/245
D598,647 S * 8/2009 Kertesz D3/232
D706,030 S * 6/2014 Wang D3/245

* cited by examiner

Primary Examiner — Holly Baynham
(74) *Attorney, Agent, or Firm* — Che-Yang Chen; Law Offices of Scott Warmuth

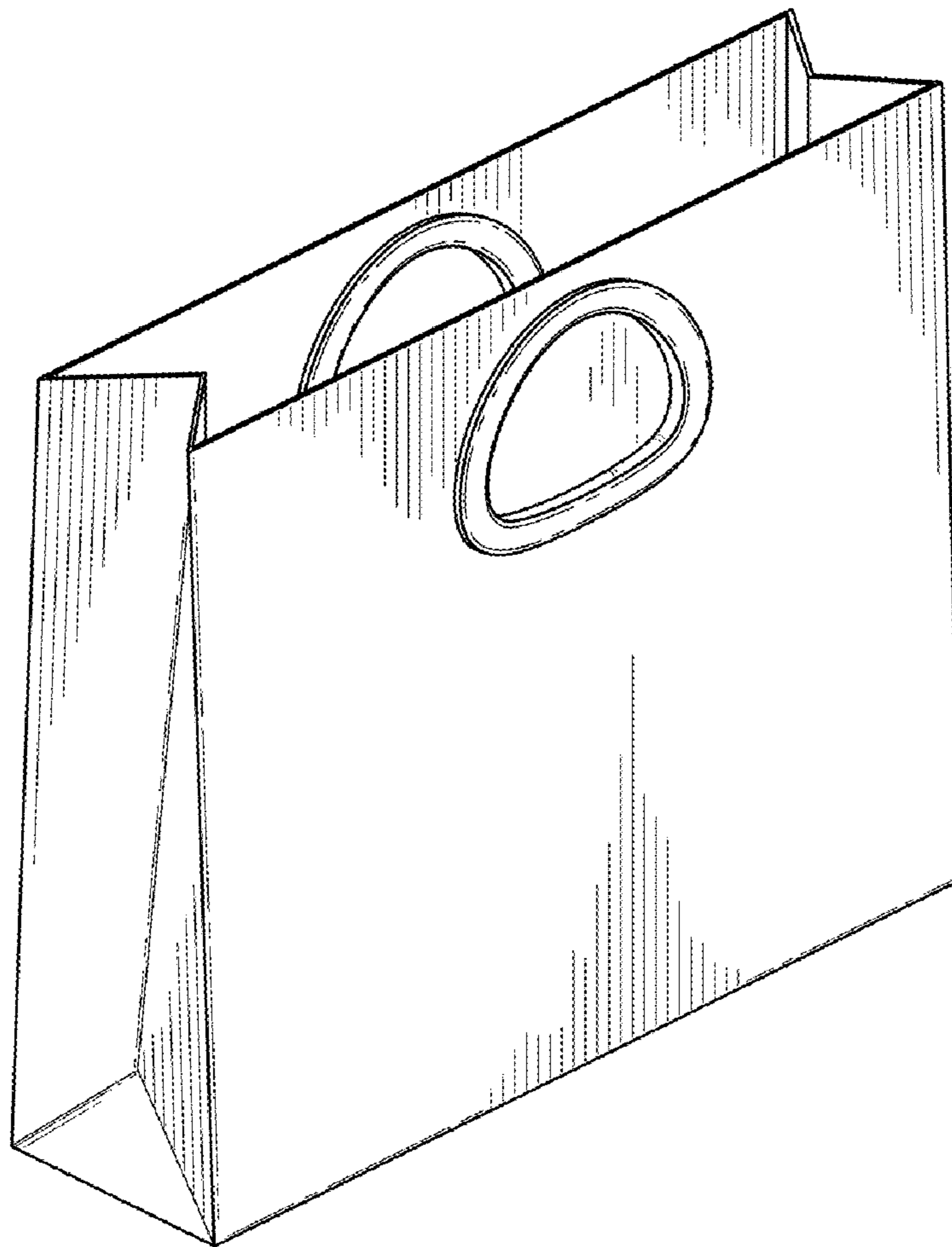
(57) **CLAIM**
The ornamental design for a handbag, as shown and described.

DESCRIPTION

FIG. 1 is a perspective view of a handbag showing my new design;
FIG. 2 is a front and rear elevational view thereof;
FIG. 3 is a left side elevational view with the right side being identical.
FIG. 4 is a top plan view thereof; and,
FIG. 5 is a bottom plan view thereof.

(56) **References Cited**
U.S. PATENT DOCUMENTS
D55,451 S * 6/1920 Carraine D3/246
D404,203 S * 1/1999 Maier-Aichen D3/245

1 Claim, 3 Drawing Sheets



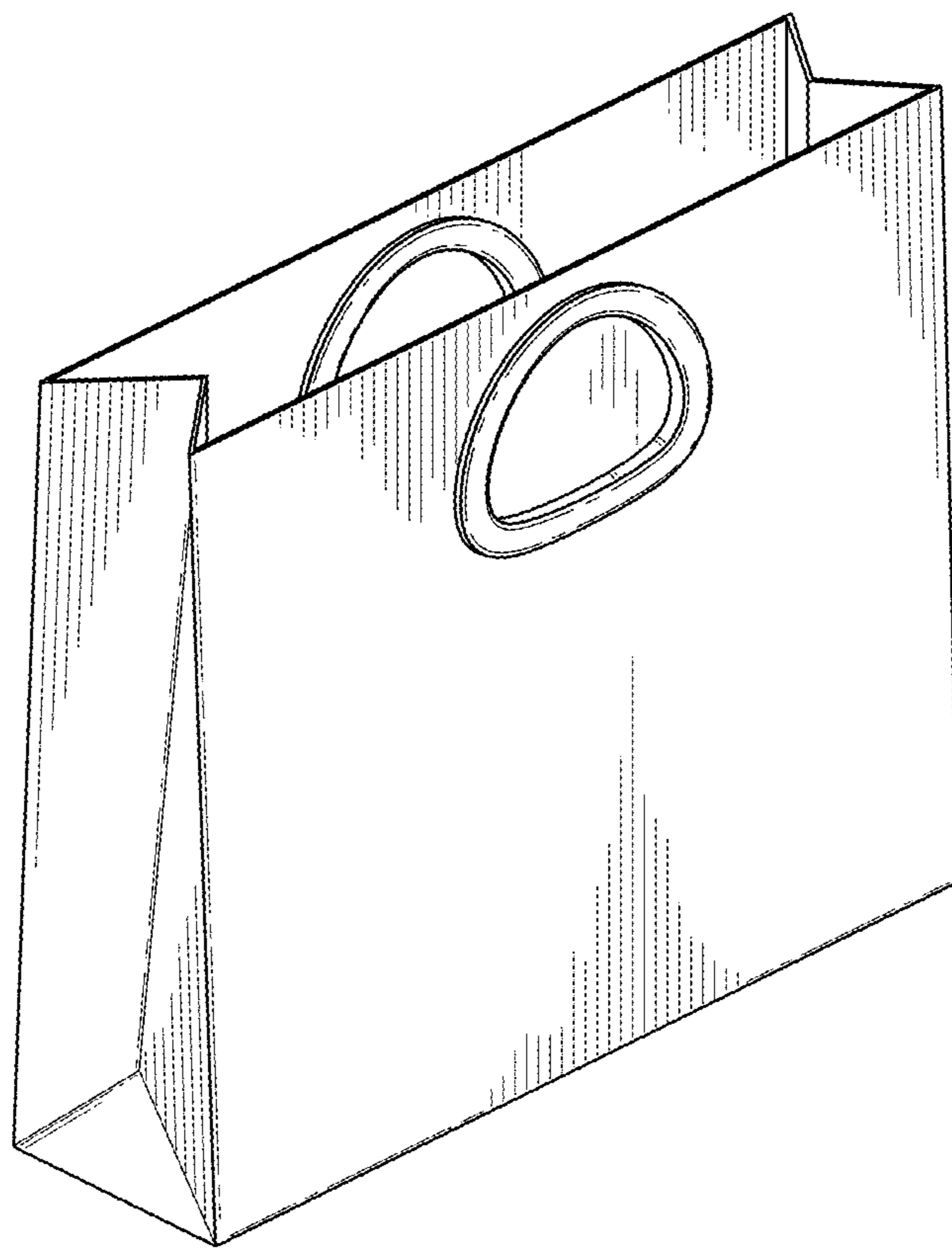


FIG. 1

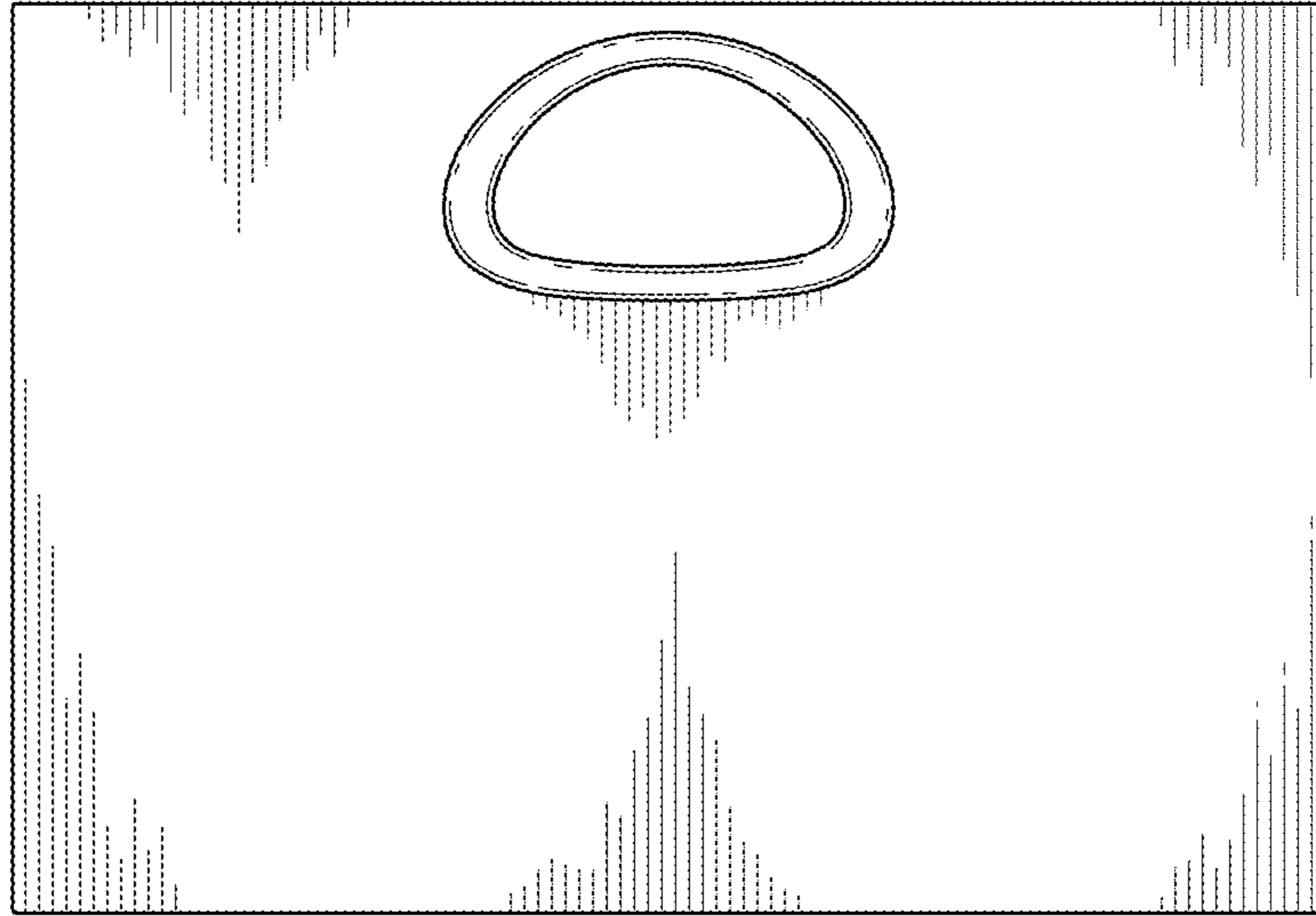


FIG. 2

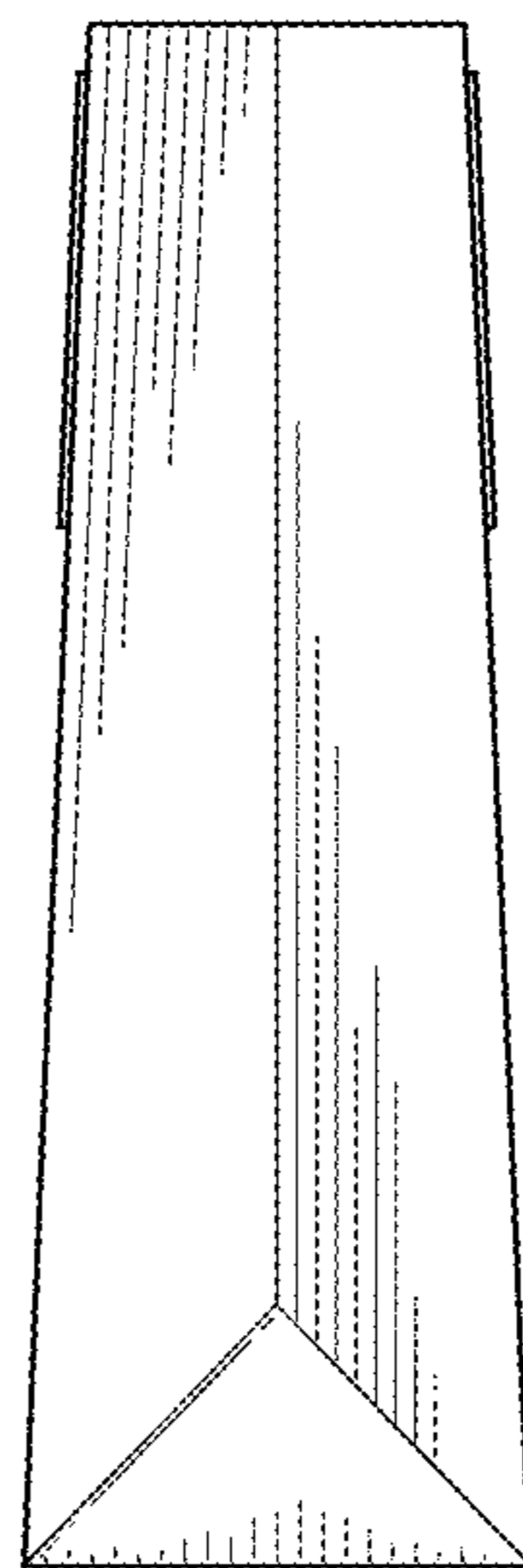


FIG. 3

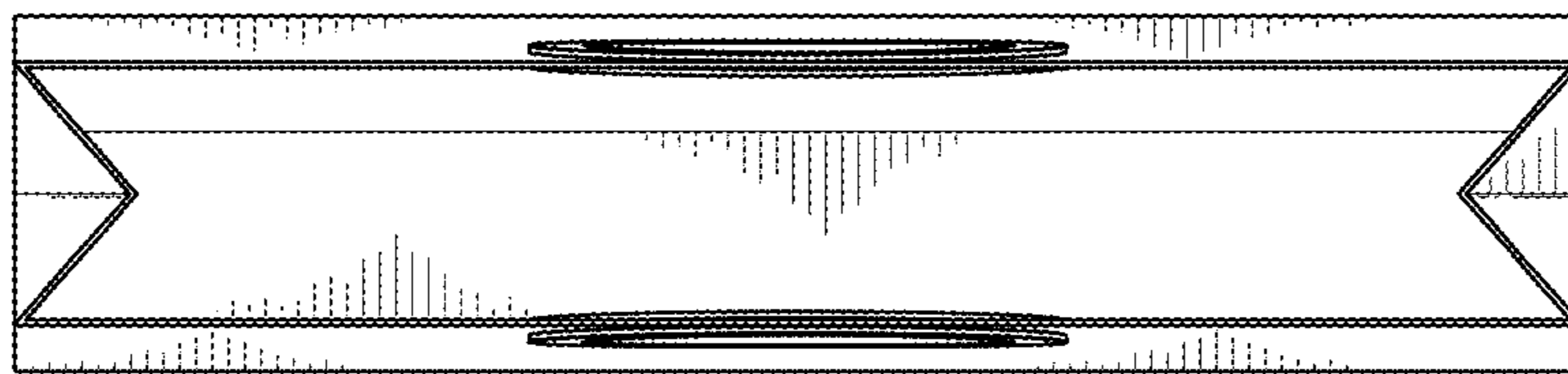


FIG. 4

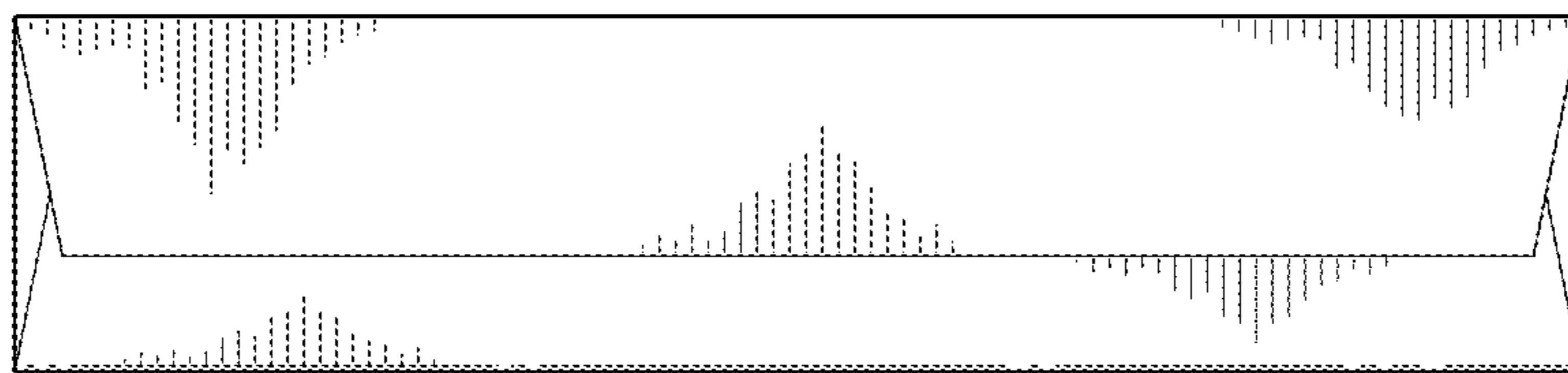


FIG. 5