



US00D771936S

(12) **United States Design Patent** (10) **Patent No.:** **US D771,936 S**
Shlaferman (45) **Date of Patent:** **** Nov. 22, 2016**

(54) **KEY HOLDER**
(71) Applicant: **Alex Shlaferman**, Brooklyn, NY (US)
(72) Inventor: **Alex Shlaferman**, Brooklyn, NY (US)
(73) Assignee: **VANTE, INC.**, Brooklyn, NY (US)
(**) Term: **15 Years**

D705,533 S 5/2014 Tunney
D714,537 S * 10/2014 Busch D3/207
D728,922 S * 5/2015 Taylor D3/207
D754,427 S * 4/2016 Tunney D3/207
D754,428 S * 4/2016 Tunney D3/207
D756,629 S * 5/2016 Tunney D3/207
D756,630 S * 5/2016 Tunney D3/207

(21) Appl. No.: **29/532,208**
(22) Filed: **Jul. 2, 2015**
(51) **LOC (10) Cl.** **03-01**
(52) **U.S. Cl.**
USPC **D3/207**
(58) **Field of Classification Search**
USPC D3/207-212; 70/456 B, 457, 458, 408,
70/456 R; D13/168; D8/347; D10/104;
D14/496; 206/37.1, 37.4, 37.2; 40/634
CPC H04B 1/034; F04B 15/00; A45C 11/324
See application file for complete search history.

OTHER PUBLICATIONS

KeySmart products, www.getkeysmart.com. Accessed on Jul. 2, 2015.

* cited by examiner

Primary Examiner — Ralf Seifert
(74) *Attorney, Agent, or Firm* — Michael J. Feigin, Esq.;
Feigin & Fridman

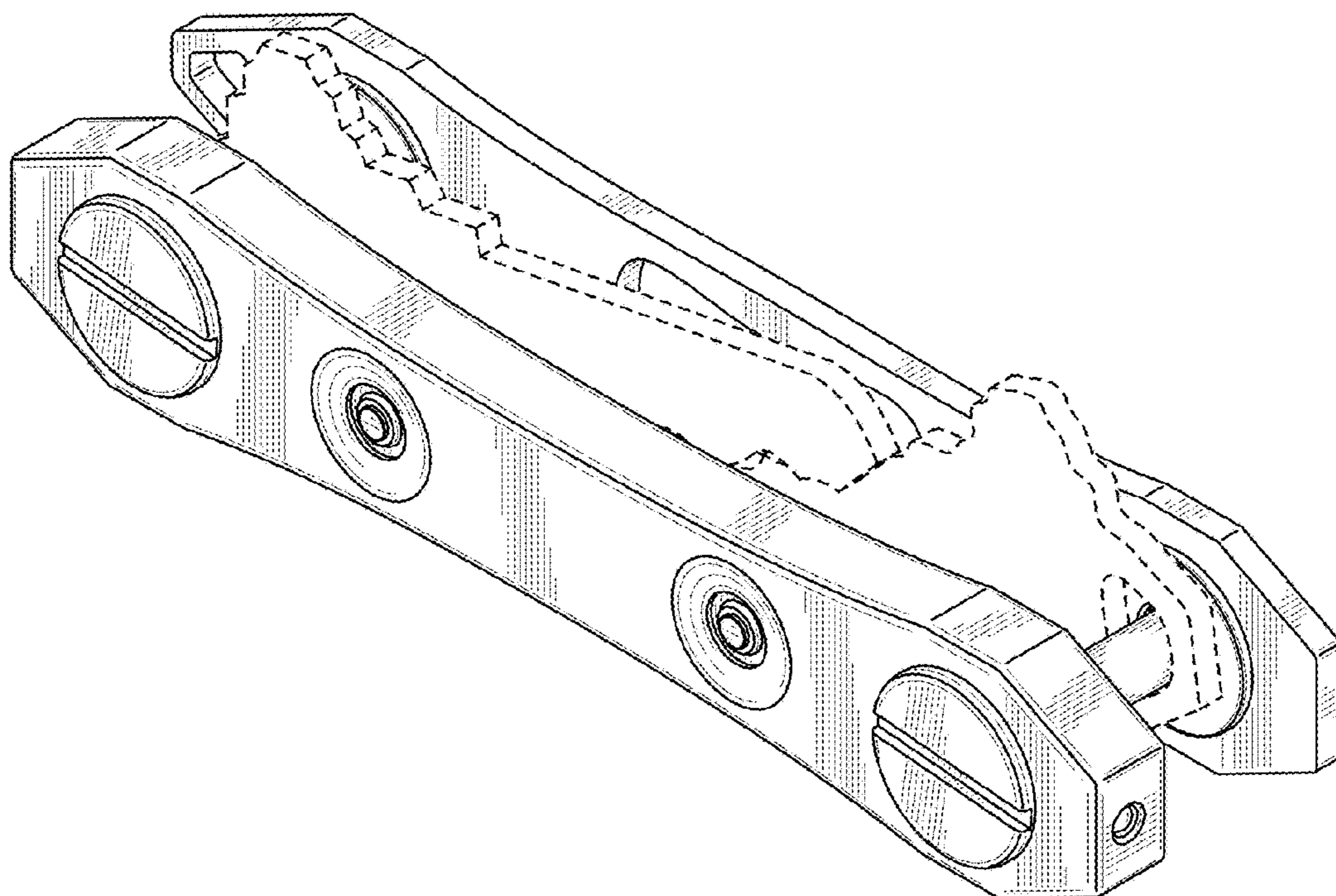
(57) **CLAIM**
The ornamental design for the key holder.

DESCRIPTION

FIG. 1 shows a top side perspective view of the key holder.
FIG. 2 shows a bottom side perspective view thereof.
FIG. 3 shows a top plan view thereof.
FIG. 4 shows a bottom plan view thereof.
FIG. 5 shows a right side view thereof.
FIG. 6 shows a left side view thereof.
FIG. 7 shows a first end view thereof; and,
FIG. 8 shows a second end view thereof.
The broken lines shown in the drawings form no part of the claimed design.

(56) **References Cited**
U.S. PATENT DOCUMENTS
2,595,981 A * 5/1952 Prickett A45C 11/324
40/634
3,354,679 A * 11/1967 Le Fave A45C 11/324
206/37.4
4,253,321 A * 3/1981 Sorensen A45C 11/324
70/456 R
4,646,913 A * 3/1987 Wing A45C 11/324
206/37.2

1 Claim, 5 Drawing Sheets



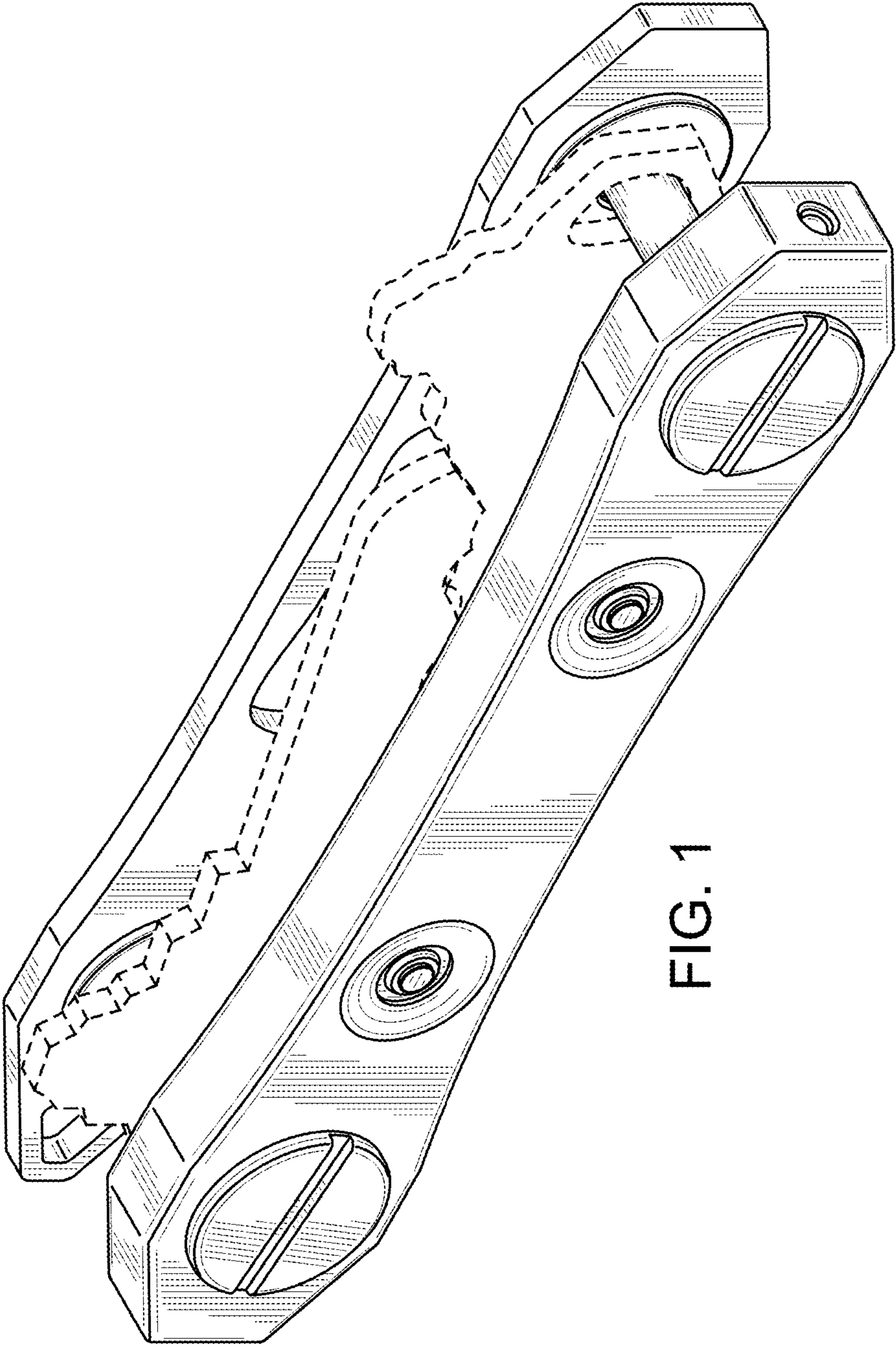


FIG. 1

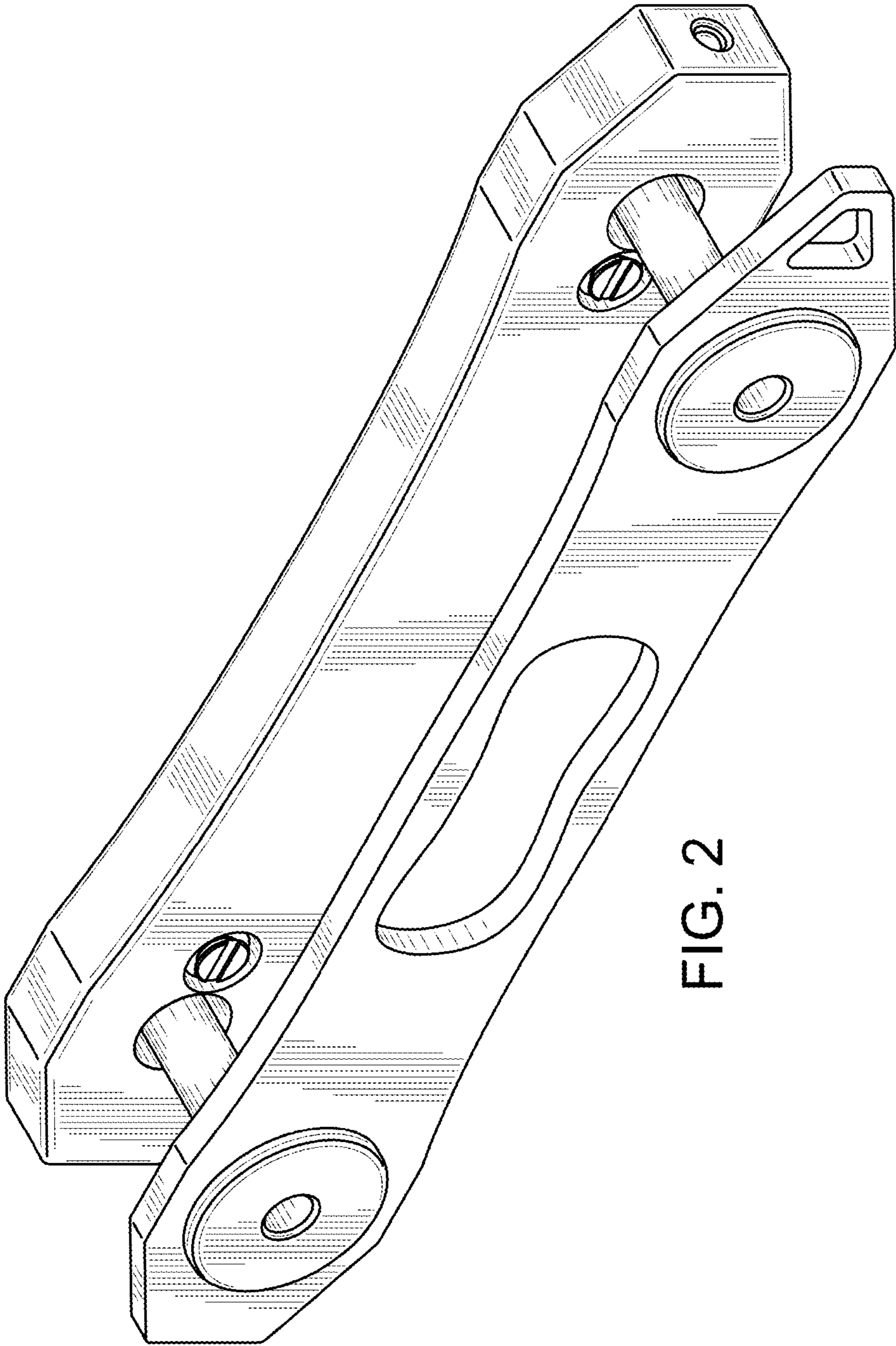


FIG. 2

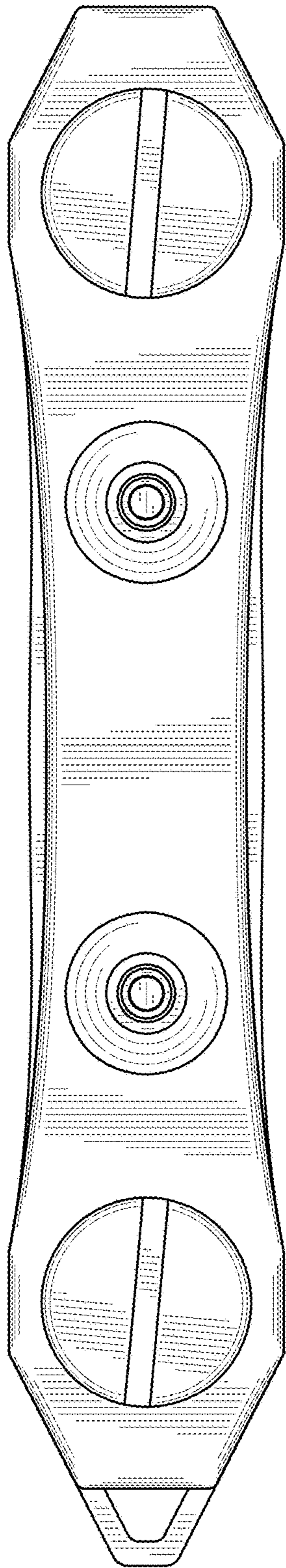


FIG. 3

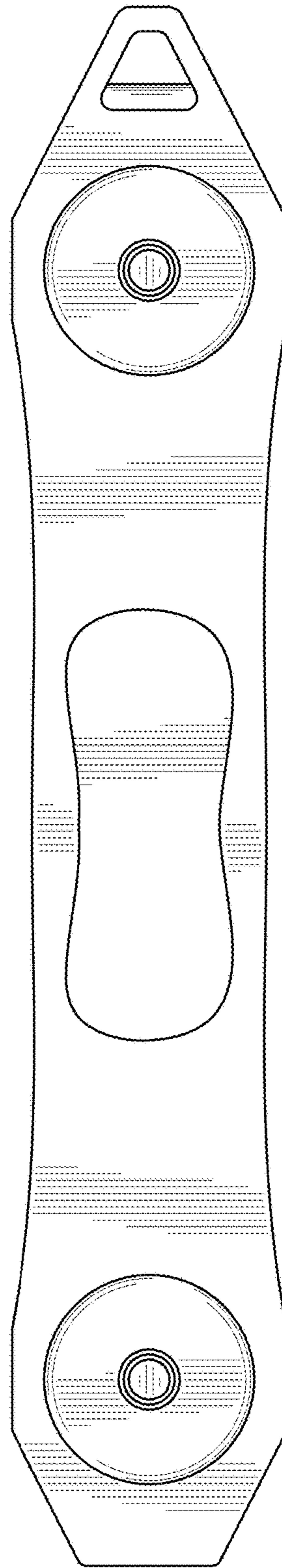


FIG. 4

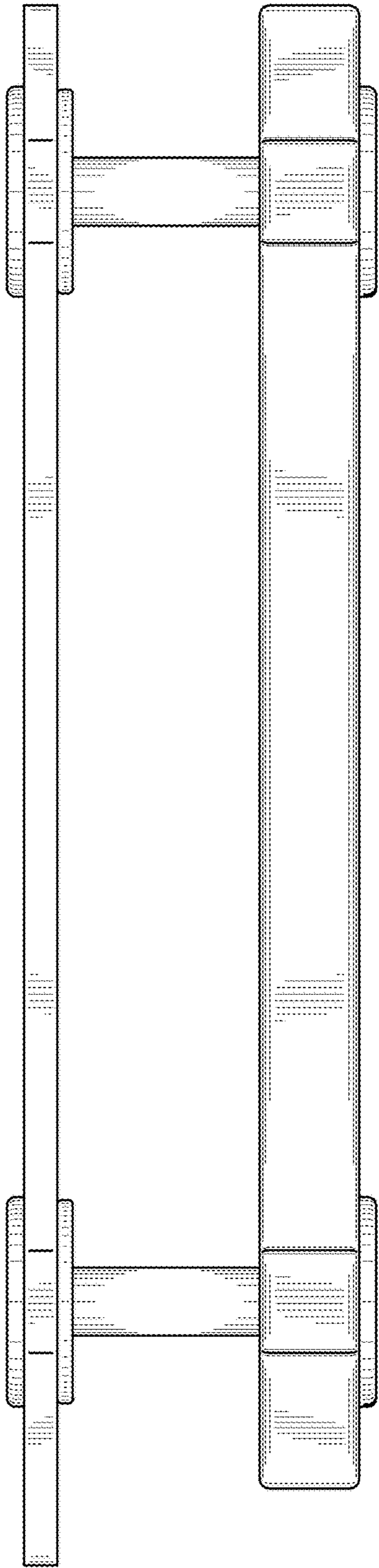


FIG. 5

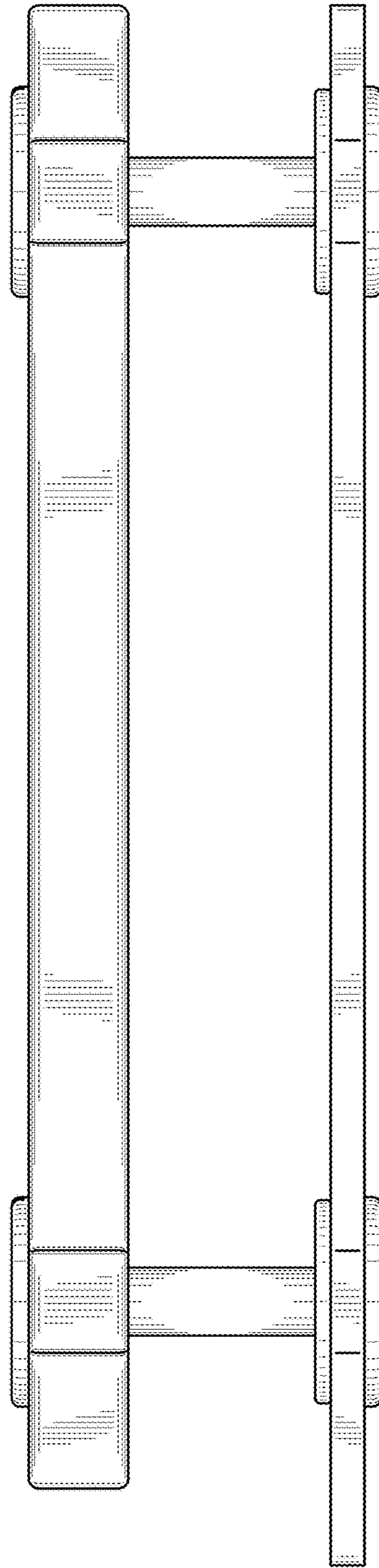


FIG. 6

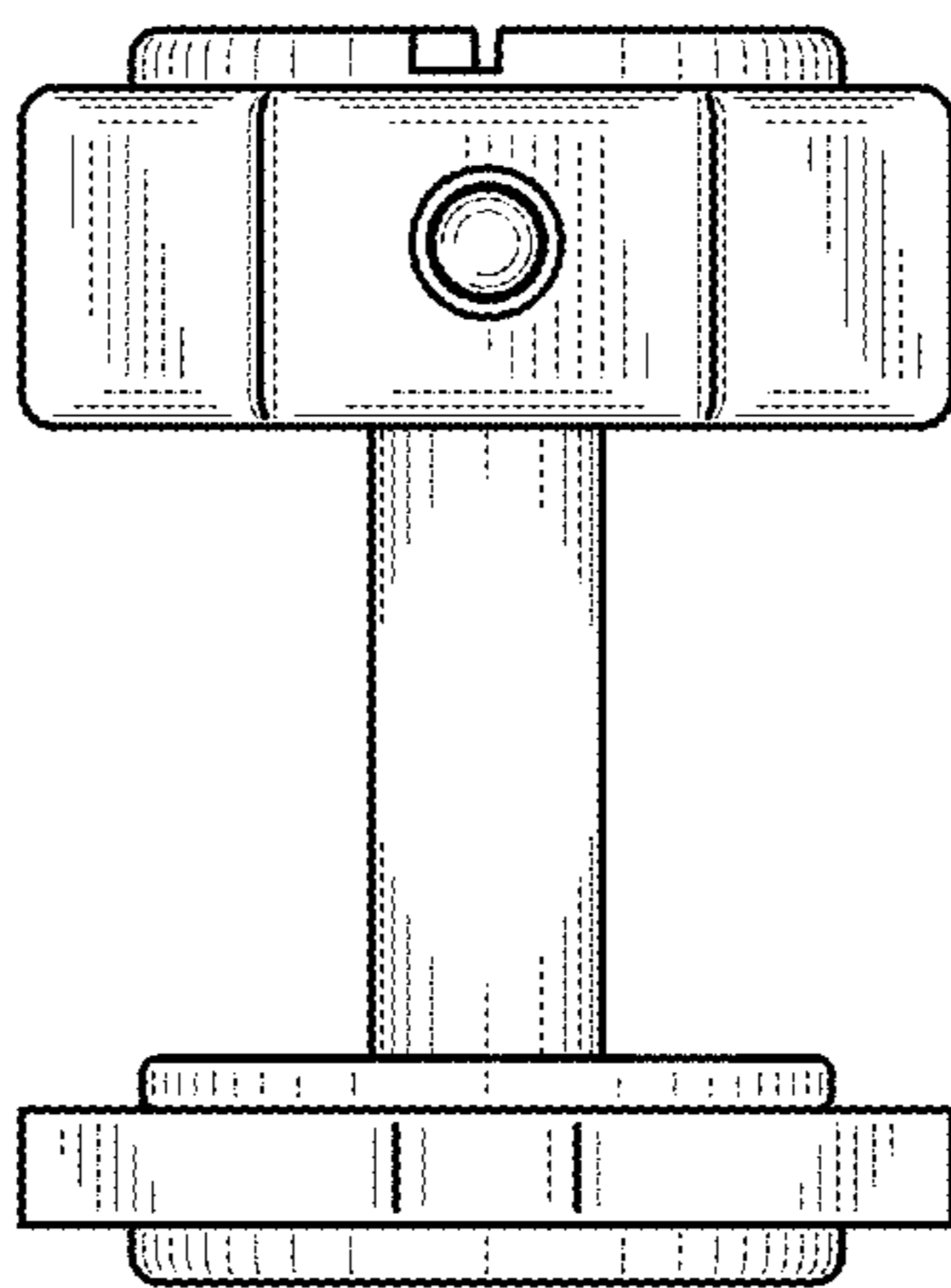


FIG. 8

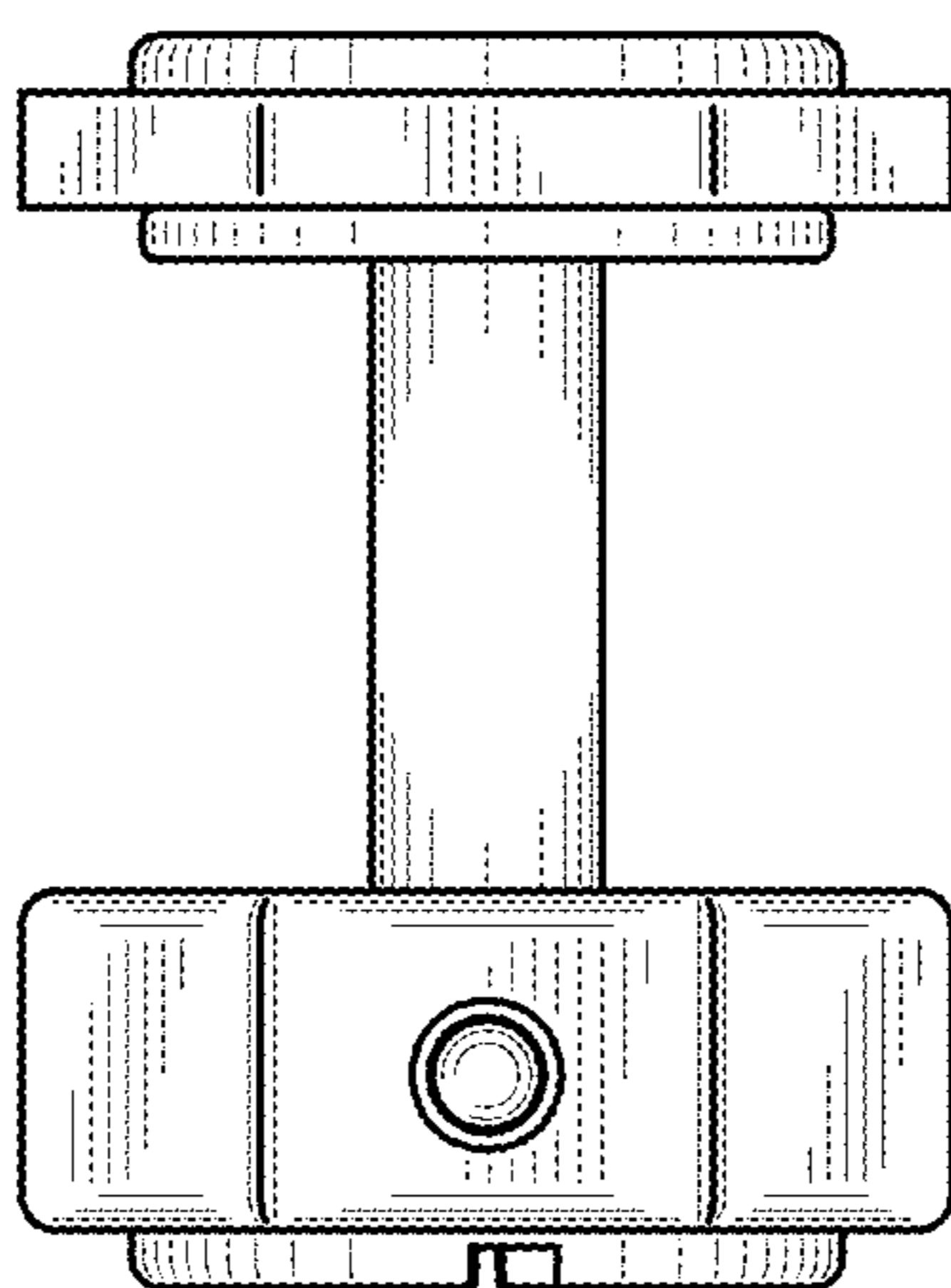


FIG. 7