



US00D771916S

(12) **United States Design Patent** (10) **Patent No.:** **US D771,916 S**
Helwig (45) **Date of Patent:** **** Nov. 22, 2016**

(54) **SANDAL WITH INTERCHANGEABLE STRAPS**

(71) Applicant: **Eric Helwig**, Lafayette, GA (US)

(72) Inventor: **Eric Helwig**, Lafayette, GA (US)

(**) Term: **15 Years**

(21) Appl. No.: **29/539,852**

(22) Filed: **Sep. 17, 2015**

(51) **LOC (10) Cl.** **02-04**

(52) **U.S. Cl.**
USPC **D2/916**

(58) **Field of Classification Search**
USPC D2/896-900, 903, 916-925, 943, 946,
D2/969, 971, 976; 36/7.3, 7.5, 7.6, 11.5,
36/58.5
CPC A43B 3/12; A43B 7/142; A43B 3/26;
A43C 11/1493

See application file for complete search history.

(56) **References Cited**

U.S. PATENT DOCUMENTS

2,590,648	A	3/1952	Pitz
2,642,677	A	6/1953	Yates
D244,886	S	7/1977	Perser et al.
4,353,172	A	10/1982	Bryant
4,793,075	A	12/1988	Thatcher
5,205,054	A	4/1993	York, Jr.
5,228,216	A	7/1993	Sargeant
D360,973	S	8/1995	Bailey
5,438,767	A	8/1995	Stein
D368,798	S	4/1996	Tong

D370,555	S	6/1996	Tong	
D376,895	S	12/1996	Cook	
D417,942	S	12/1999	Aguerre	
D435,335	S	* 12/2000	Dean	D2/916
D458,009	S	6/2002	Ritter et al.	
D460,245	S	* 7/2002	Butler	D2/916
D461,042	S	* 8/2002	Urie	D2/916
D547,045	S	* 7/2007	Belley	D2/916
D560,344	S	1/2008	Belley et al.	
D564,199	S	* 3/2008	Belley	D2/917
D644,422	S	* 9/2011	Selbiger	D2/916
D736,502	S	8/2015	Helwig	

* cited by examiner

Primary Examiner — Holly Baynham

Assistant Examiner — Rashida C Walshon

(74) *Attorney, Agent, or Firm* — Lewis Brisbois Bisgaard & Smith LLP

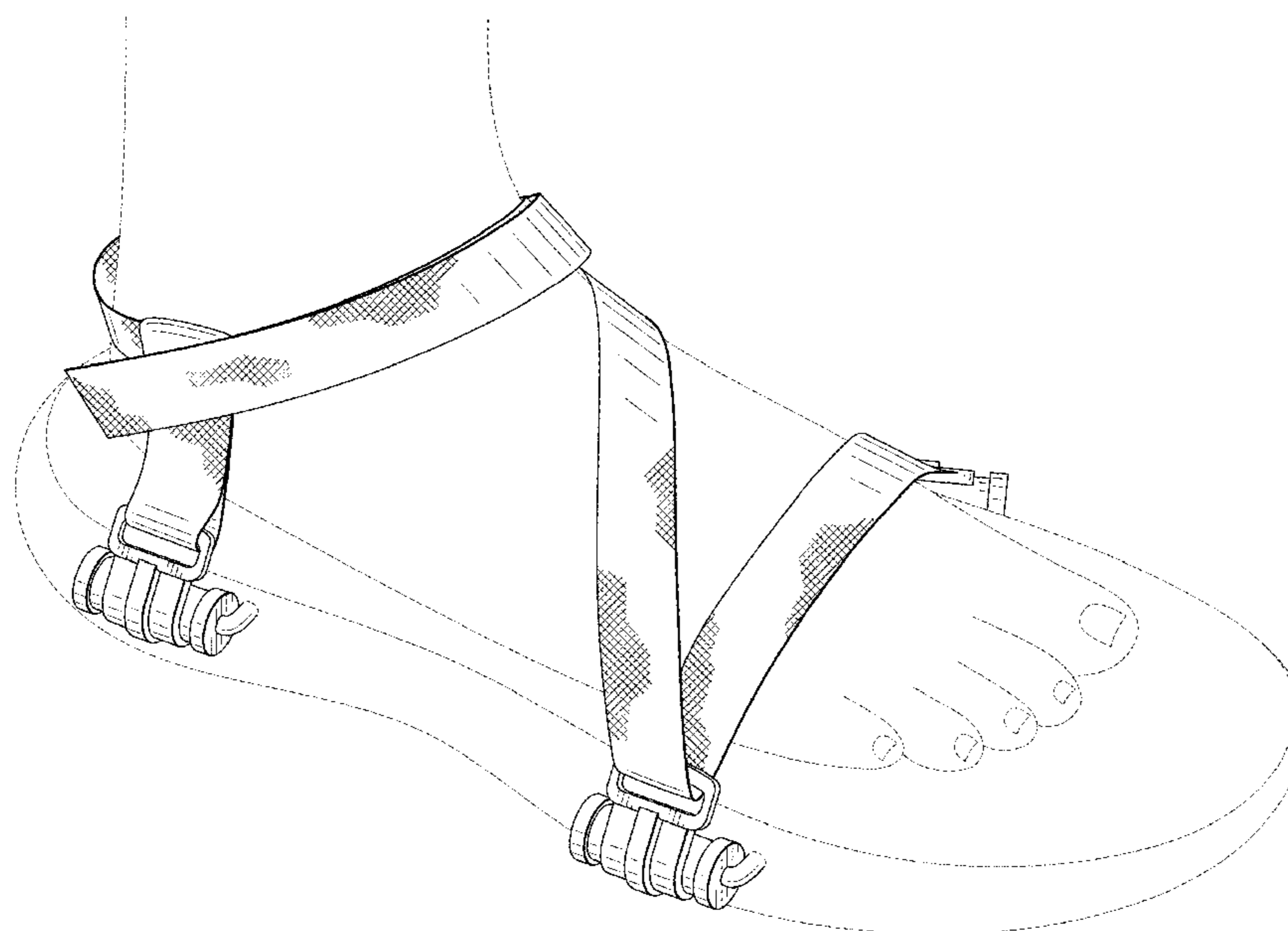
(57) **CLAIM**

The ornamental design for a sandal with interchangeable straps, as shown and described.

DESCRIPTION

FIG. 1 is a top perspective view of the sandal with interchangeable straps, showing my new design;
 FIG. 2 is a front elevation view thereof;
 FIG. 3 is a rear elevation view thereof;
 FIG. 4 is a right side elevation view thereof;
 FIG. 5 is a left side elevation view thereof;
 FIG. 6 is a top plan view thereof; and,
 FIG. 7 is a bottom plan view thereof.
 The broken lines shown are included for the purpose of illustrating the unclaimed portions of the article and form no part of the claim.

1 Claim, 6 Drawing Sheets



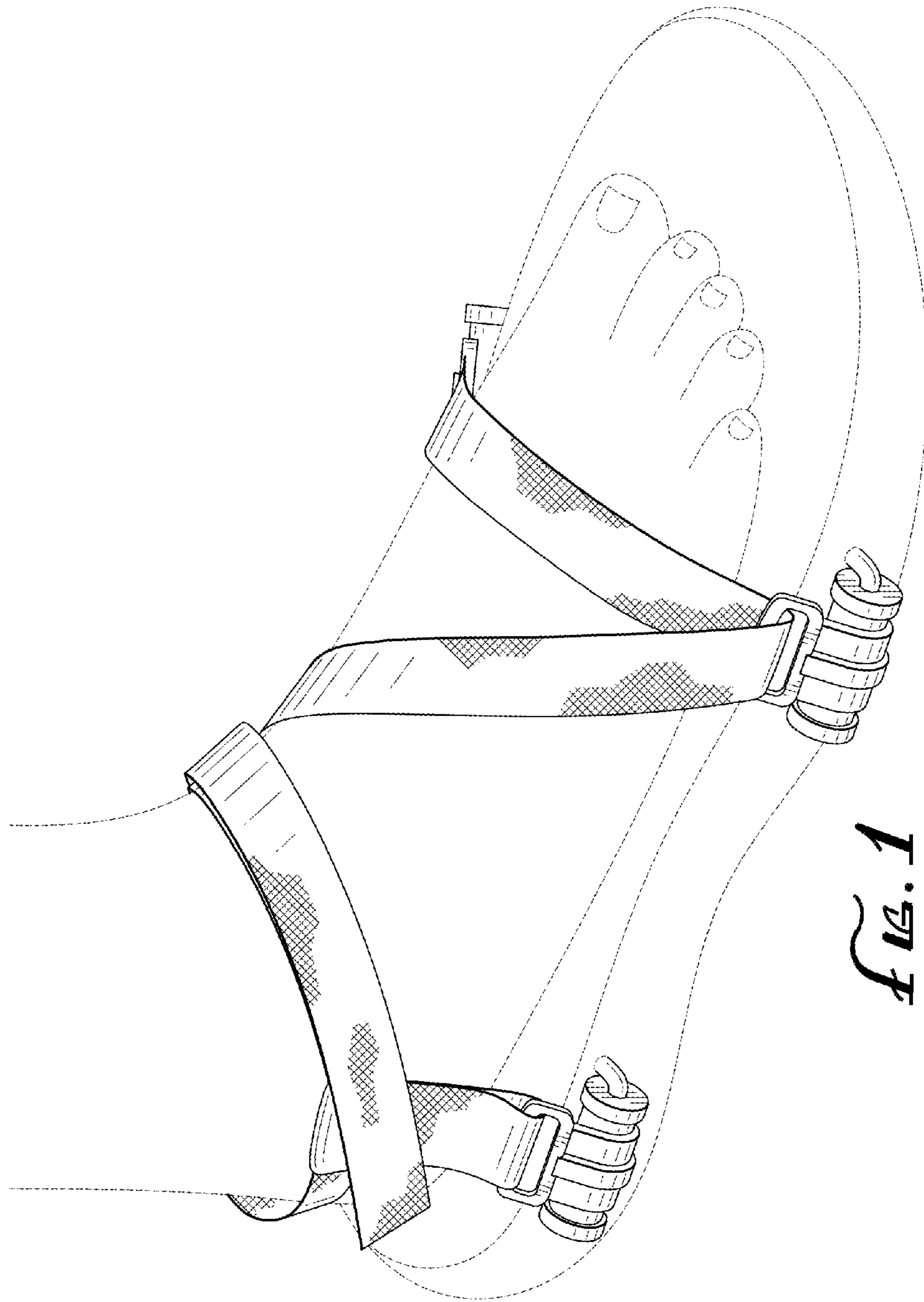


Fig. 1

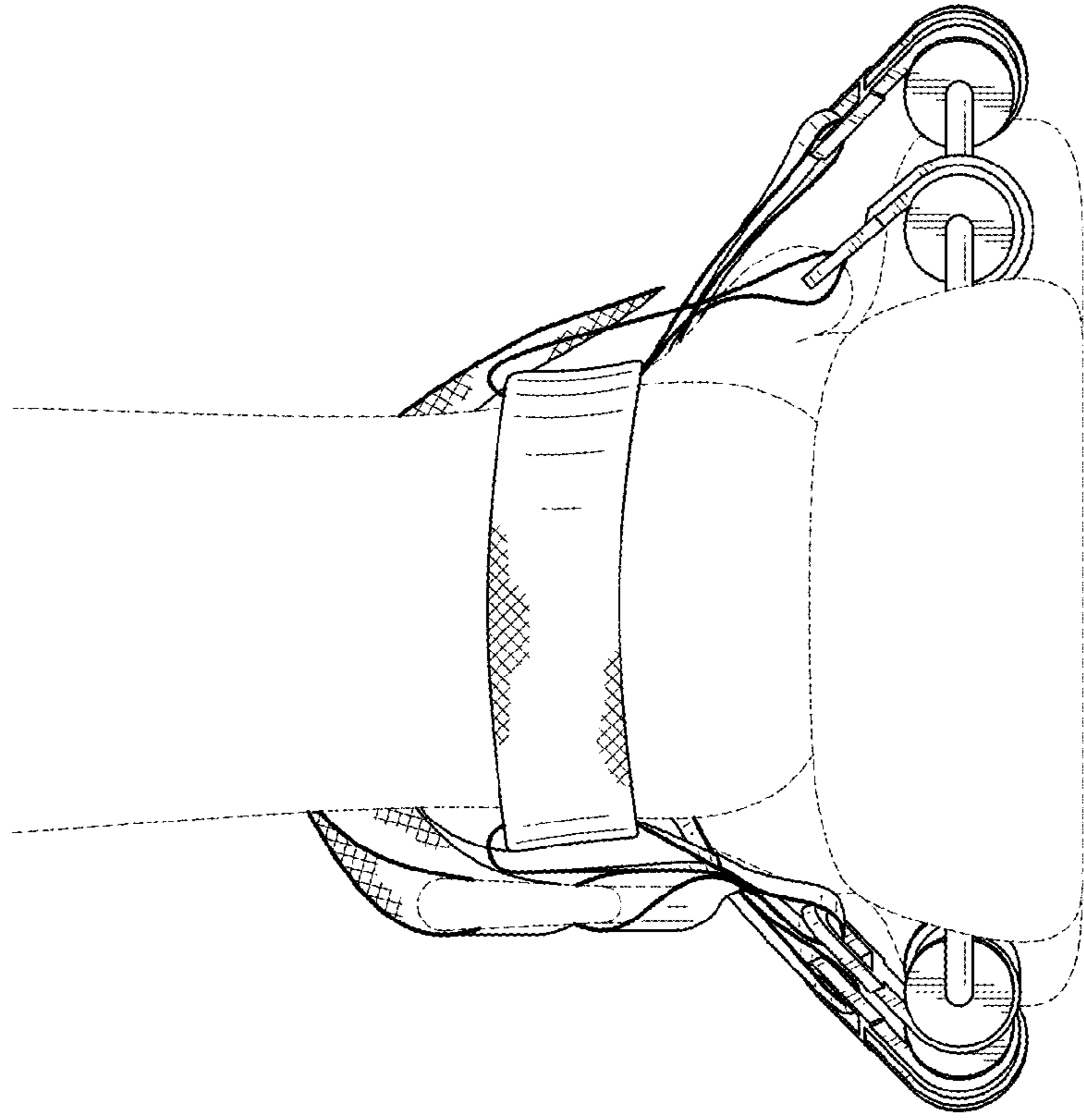


Fig. 3

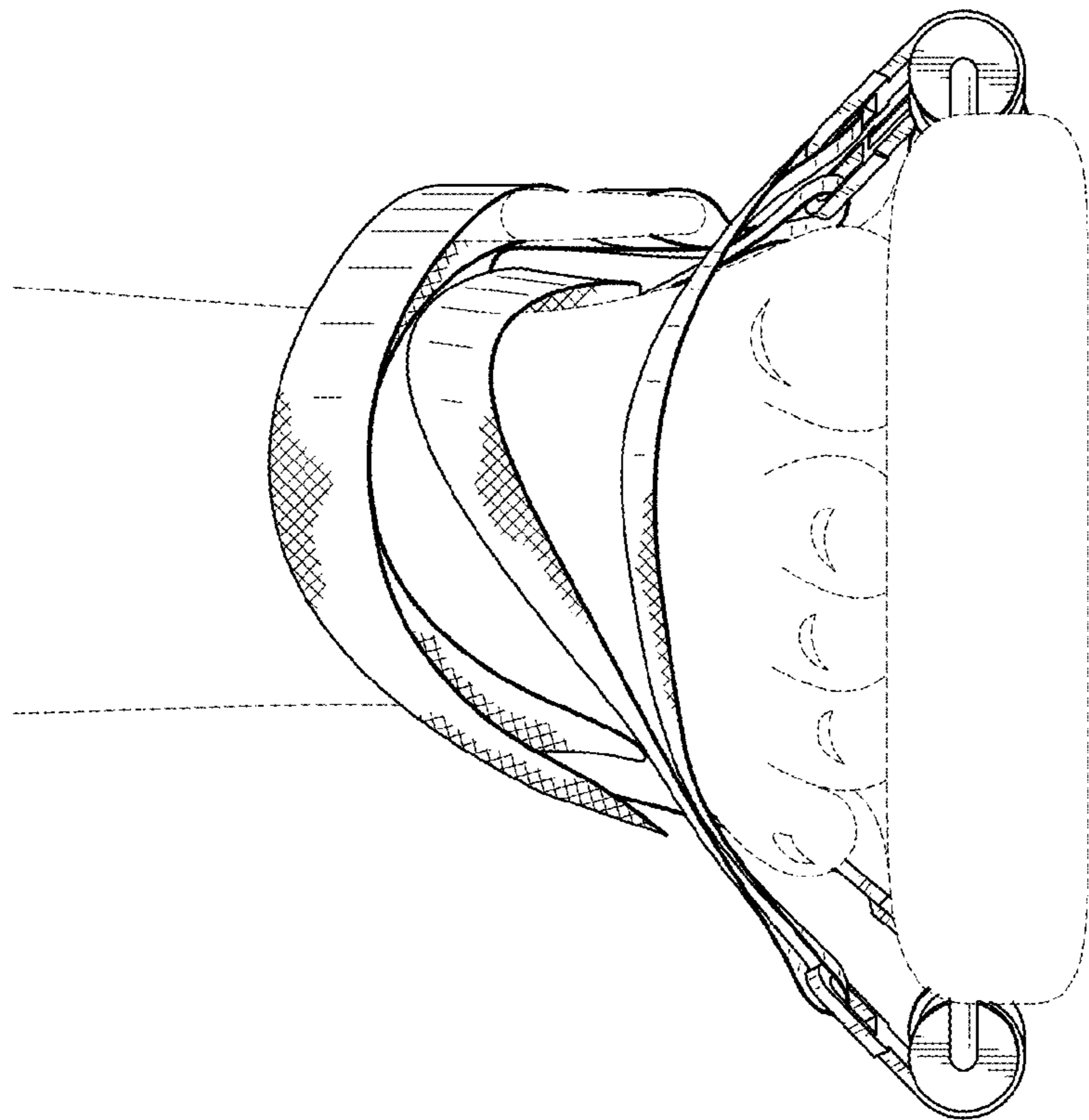


Fig. 2

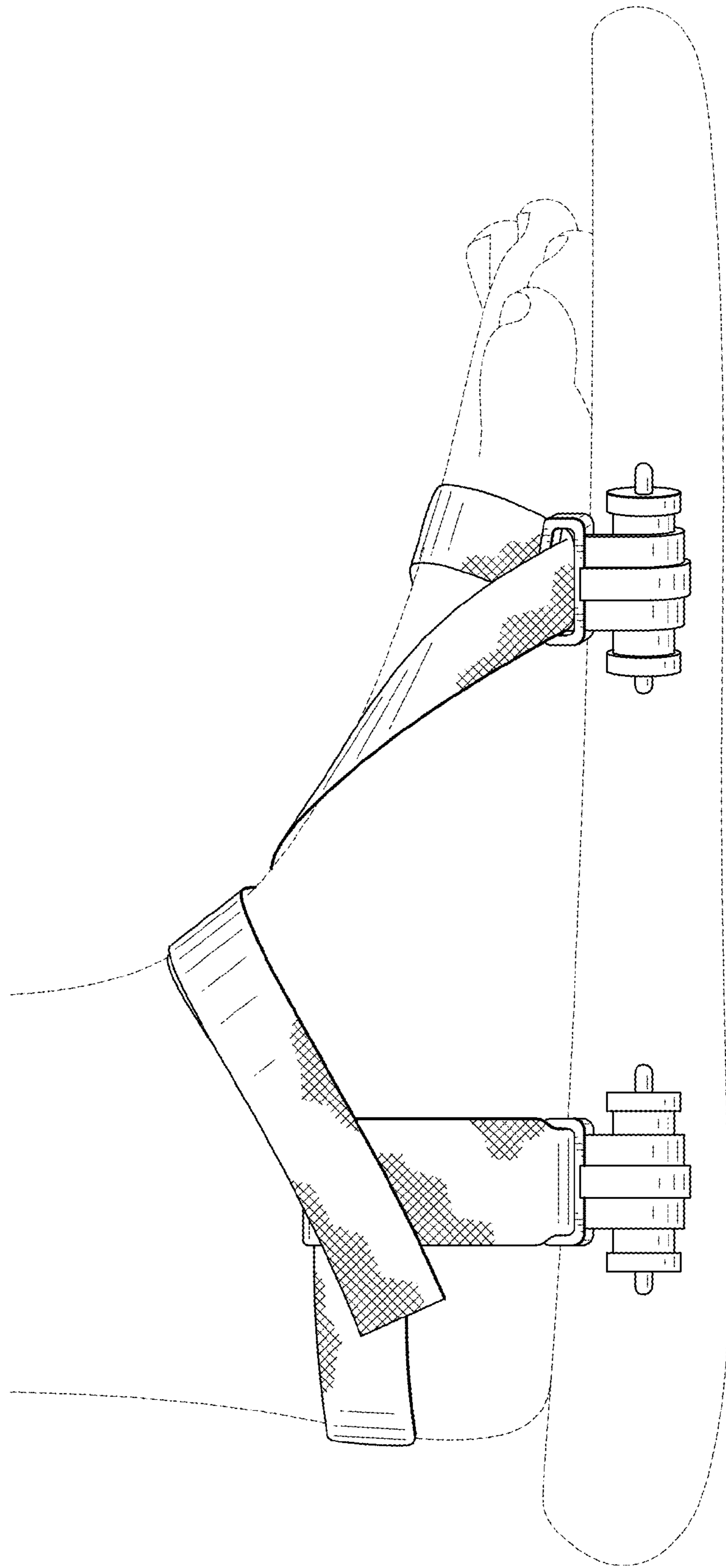


FIG. A

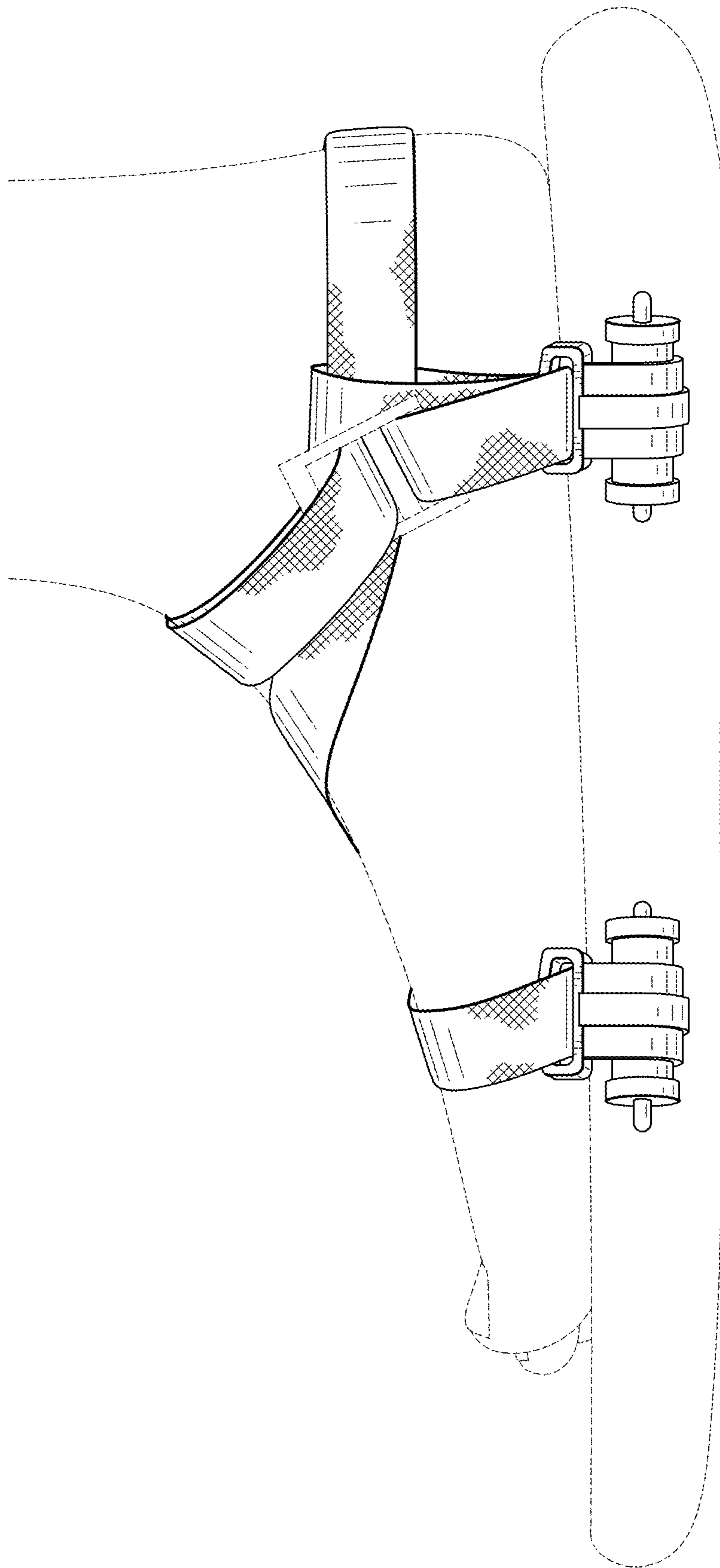


FIG. 5

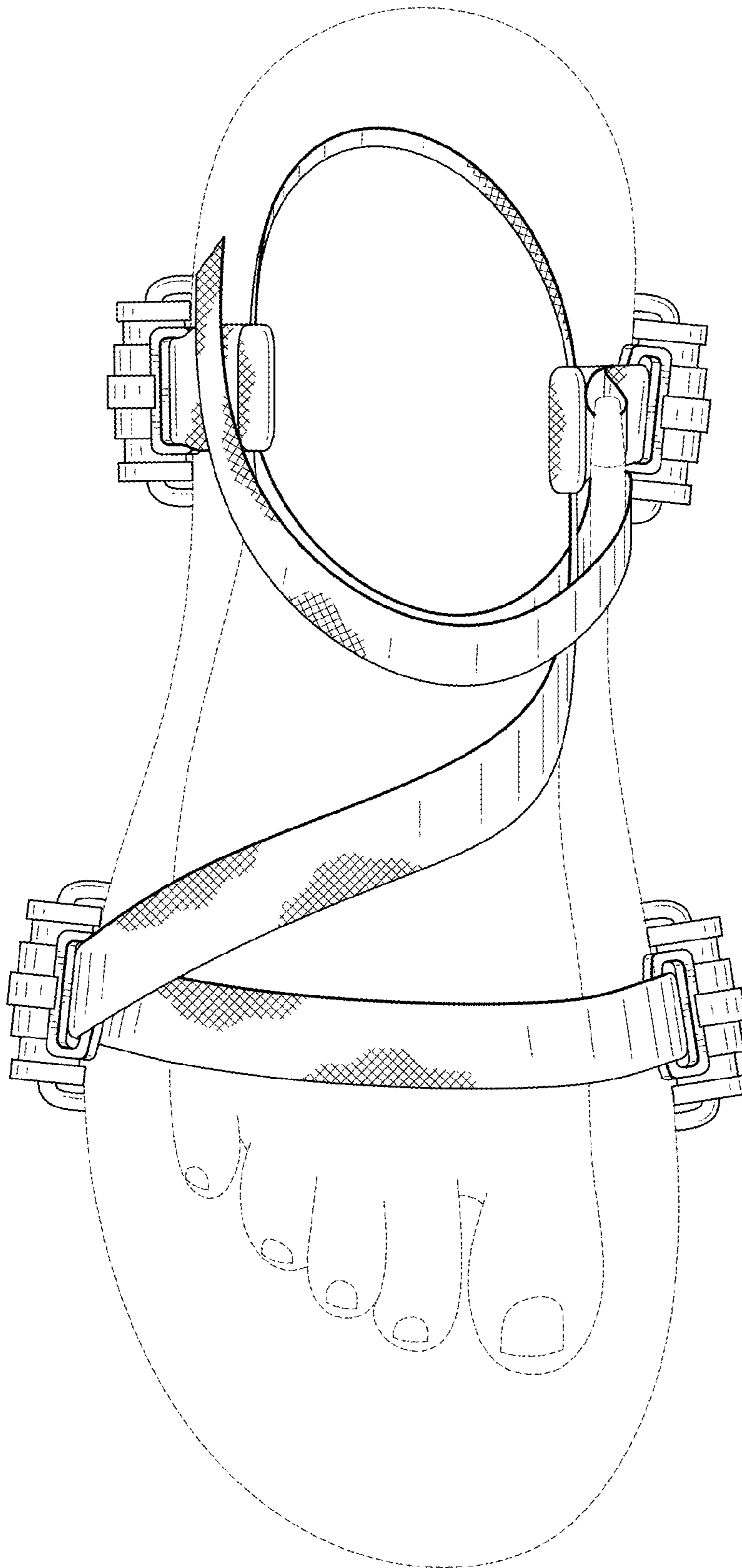


Fig. 5

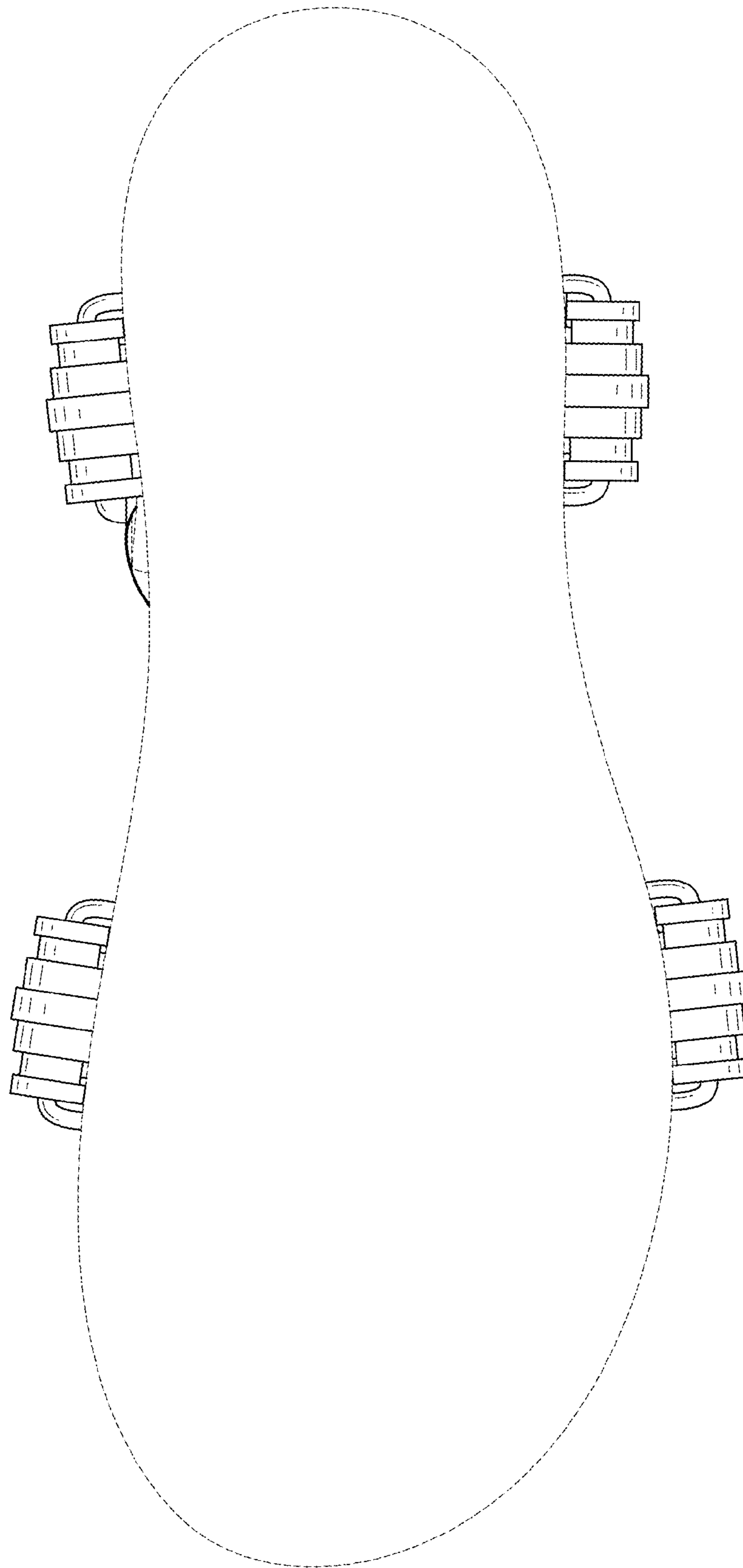


Fig. 7