



US00D771914S

(12) **United States Design Patent**
Cho

(10) **Patent No.:** **US D771,914 S**

(45) **Date of Patent:** **** Nov. 22, 2016**

(54) **HEADWEAR CAP WITH SIZE ADJUSTMENT STRAP**

(71) Applicant: **YUPOONG, INC.**, Seoul (KR)

(72) Inventor: **Byoung-Woo Cho**, Seoul (KR)

(73) Assignee: **Yupoong, Inc.** (KR)

(**) Term: **14 Years**

(21) Appl. No.: **29/519,304**

(22) Filed: **Mar. 4, 2015**

(30) **Foreign Application Priority Data**

Feb. 3, 2015 (KR) 30-2015-0005954

(51) **LOC (10) Cl.** **02-03**

(52) **U.S. Cl.**
USPC **D2/891**

(58) **Field of Classification Search**
USPC D2/865, 866, 869, 872, 874, 877, 880,
D2/881, 882, 884, 891, 895, 999; D11/3,
D11/6, 12, 19, 220, 24
CPC A42B 1/00; A42B 1/002; A42B 1/004;
A42B 1/006; A42B 1/02; A42B 1/062;
A42B 1/064; A42B 1/205; A42B 1/22;
A42B 1/24

See application file for complete search history.

(56) **References Cited**

U.S. PATENT DOCUMENTS

D178,070 S * 6/1956 Katz D11/17
D299,380 S * 1/1989 Wang 168/13
D324,193 S * 2/1992 Wen-Long D11/200
D407,890 S * 4/1999 Frank D2/866
5,909,803 A * 6/1999 Clark A42B 1/22
2/195.2

D425,688 S * 5/2000 Richlin D2/865
D675,404 S * 2/2013 Parker D2/882
D743,149 S * 11/2015 Brandelli D2/882
2003/0233696 A1 * 12/2003 Lee A42B 1/22
2/195.2
2004/0187191 A1 * 9/2004 Lee A42B 1/24
2/171
2014/0053319 A1 * 2/2014 Cho A42B 1/248
2/209.13
2014/0101820 A1 * 4/2014 Cho A42B 1/22
2/171
2016/0021961 A1 * 1/2016 Lacy A42B 1/02
2/195.4

* cited by examiner

Primary Examiner — Karen E. Eldridge Powers

Assistant Examiner — Jasmine Mlinarcik

(74) *Attorney, Agent, or Firm* — Fellers, Snider,
Blankenship, Bailey & Tippens, P.C.

(57) **CLAIM**

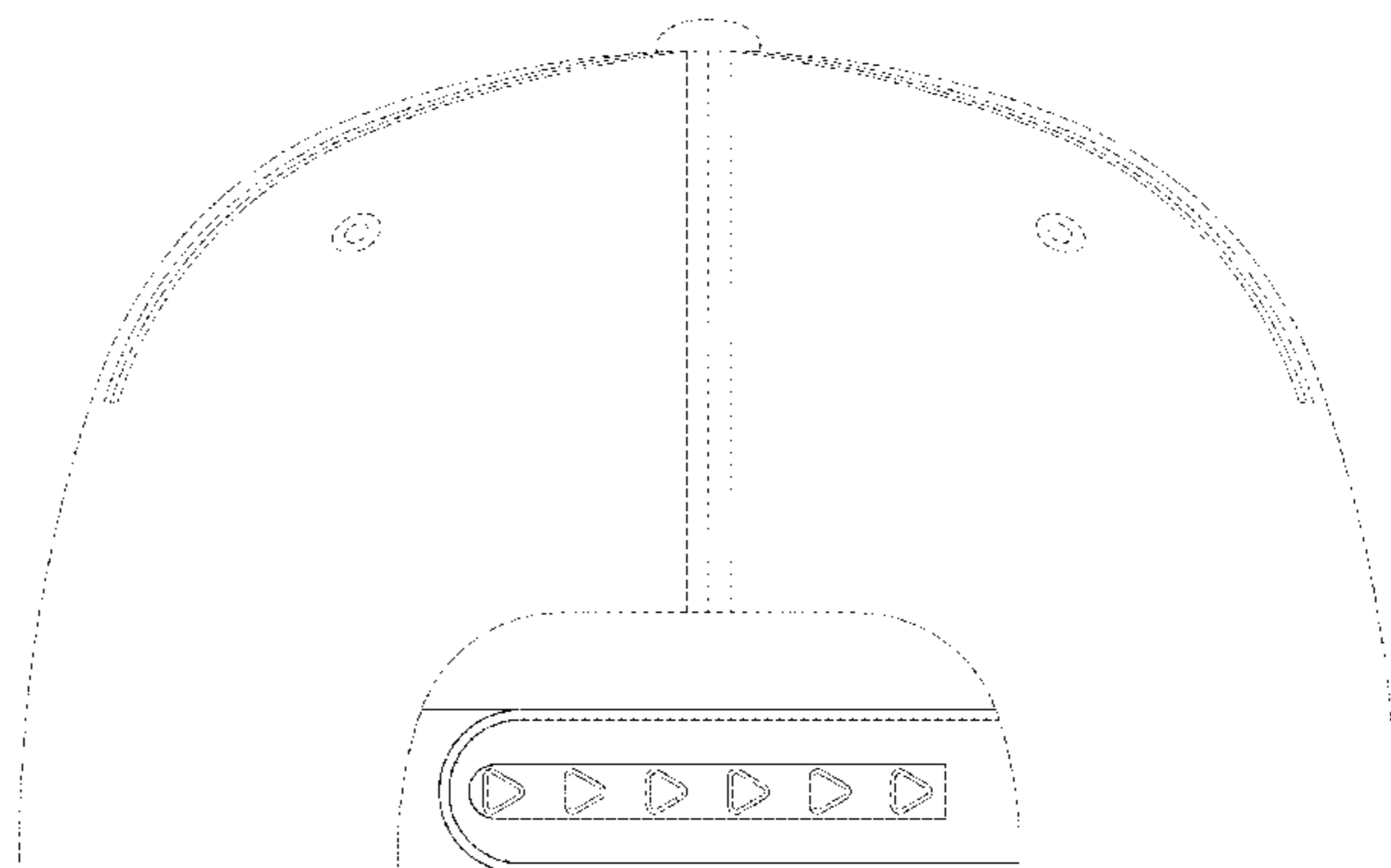
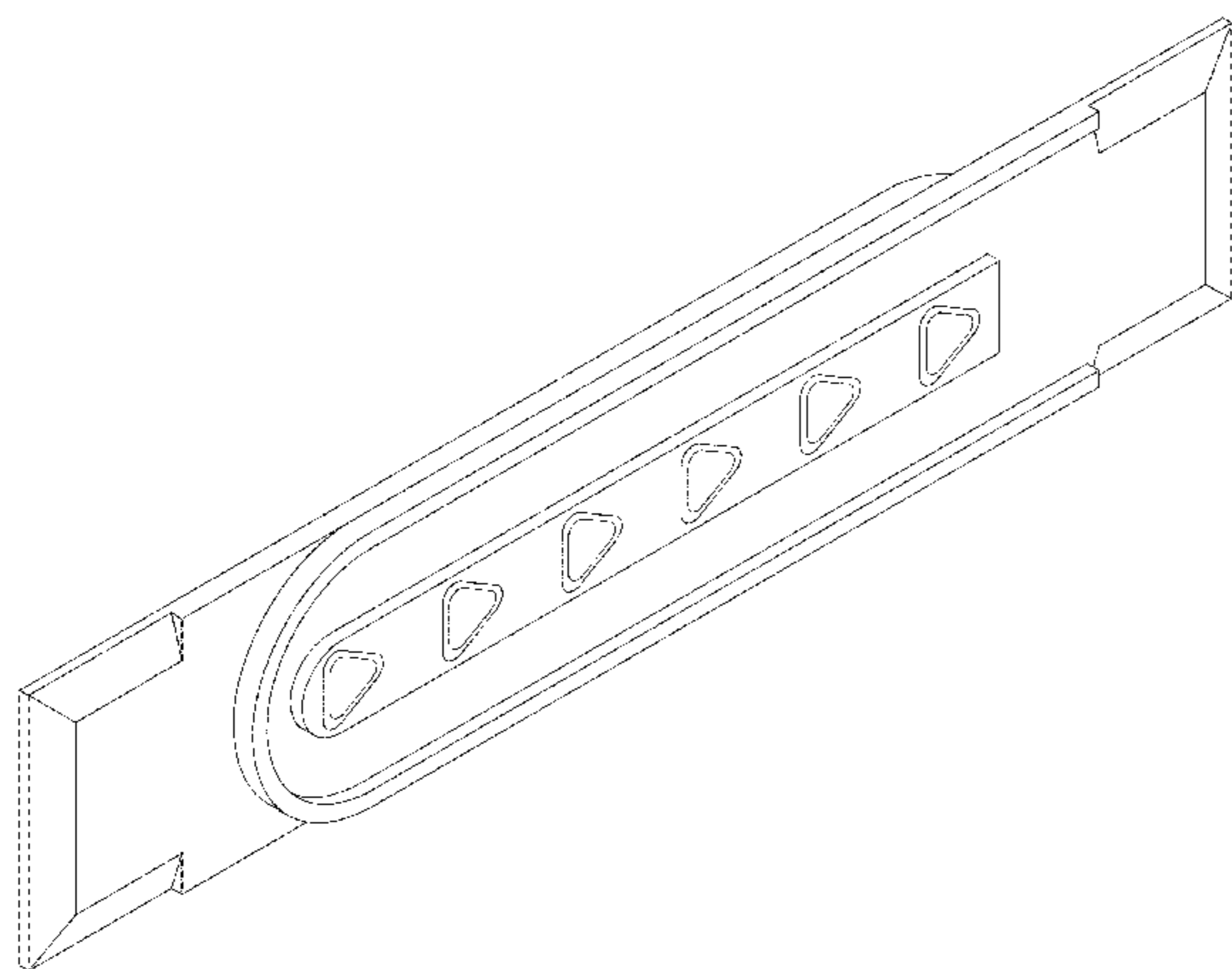
The ornamental design for a headwear cap with size adjustment strap, as shown and described.

DESCRIPTION

FIG. 1 is a front perspective view of the headwear cap with size adjustment strap showing my design.
FIG. 2 is a front elevational view thereof;
FIG. 3 is a rear elevational view thereof;
FIG. 4 is a left side elevational view thereof;
FIG. 5 is a right side elevational view thereof;
FIG. 6 is a top plan view thereof;
FIG. 7 is a bottom plan view thereof;
FIG. 8 is a rear elevational view of the adjustable strap of the invention in a condition of use thereof; and,
FIG. 9 is an exploded view thereof.

In FIG. 8, the broken line indicates unclaimed features of the article of manufacture only and forms no part of the claimed design.

1 Claim, 5 Drawing Sheets



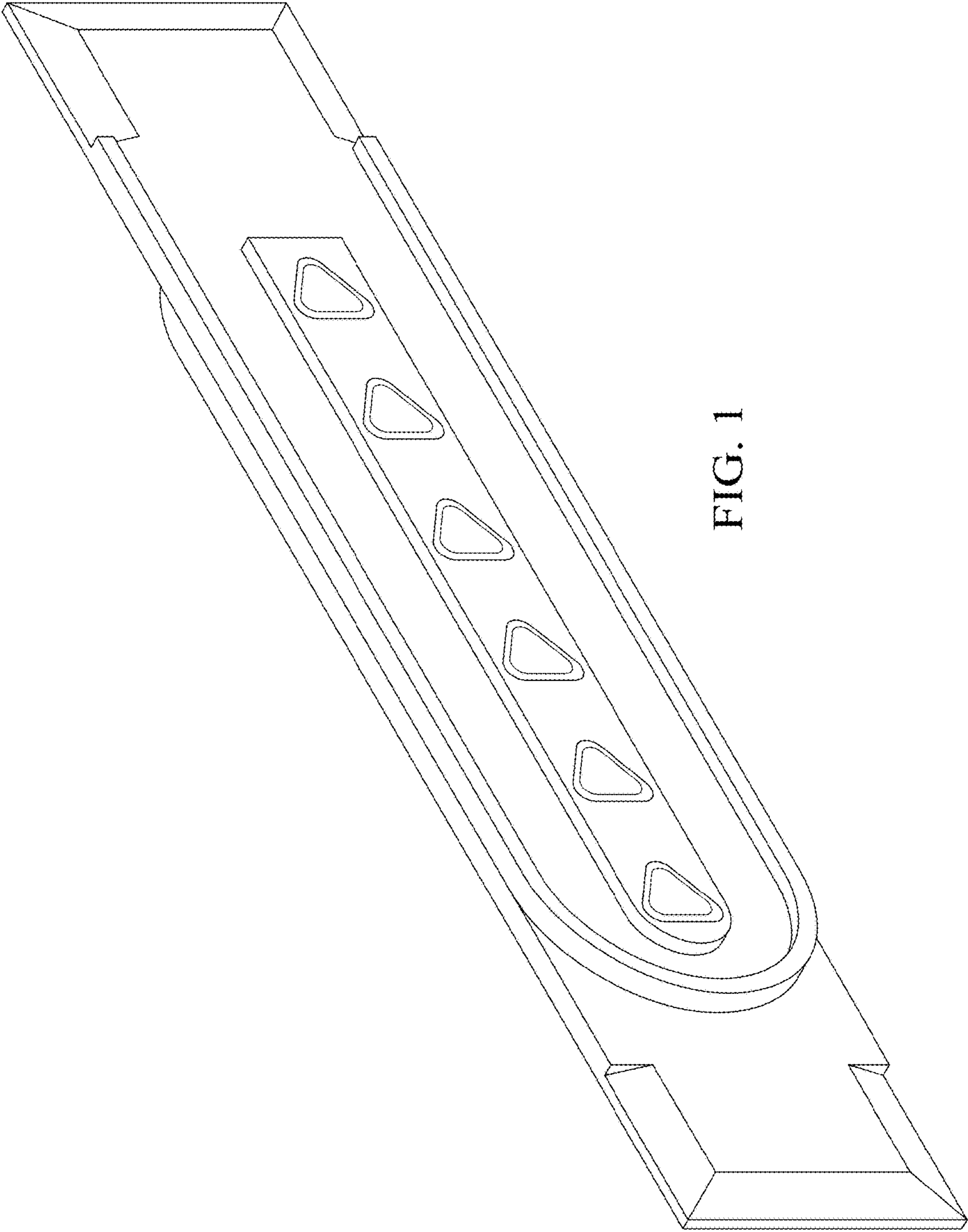


FIG. 1

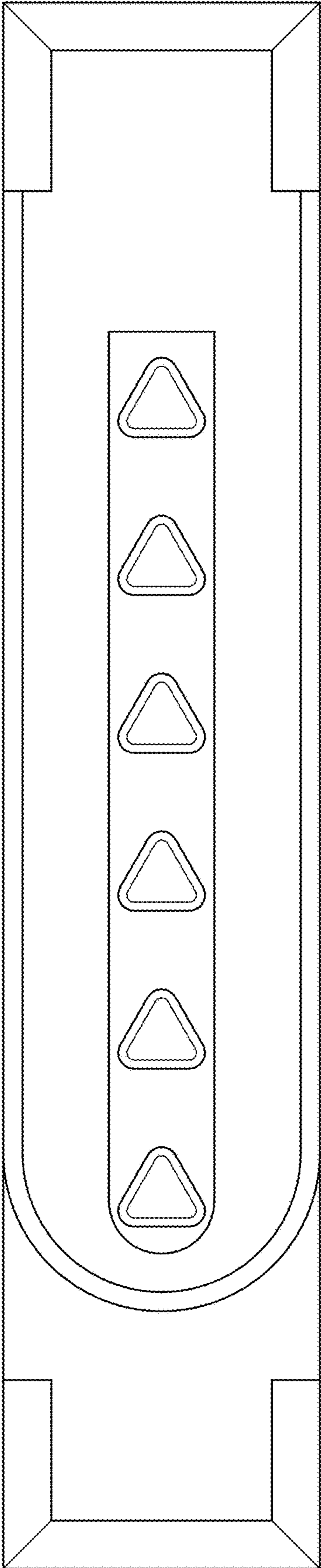


FIG. 2

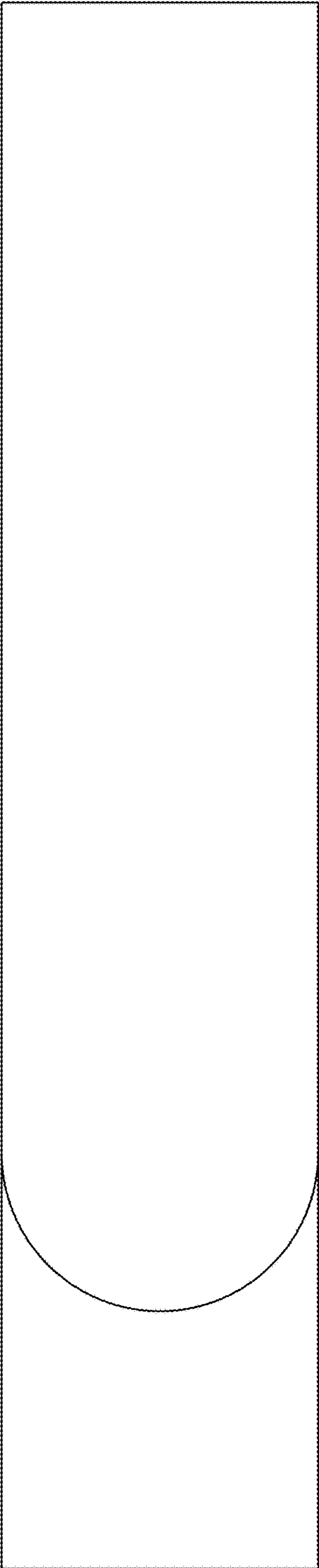


FIG. 3

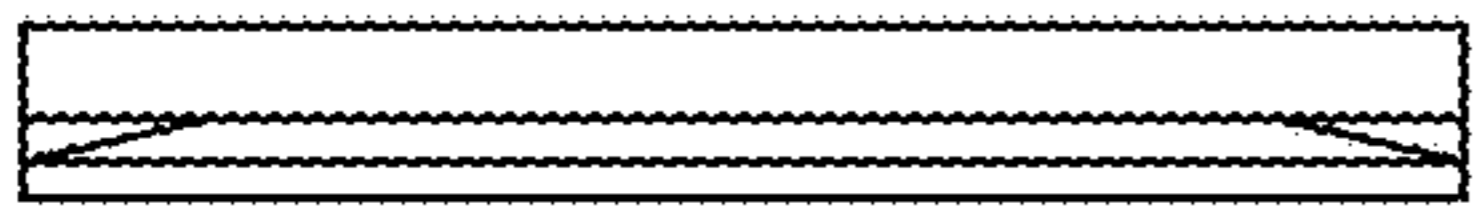


FIG. 4

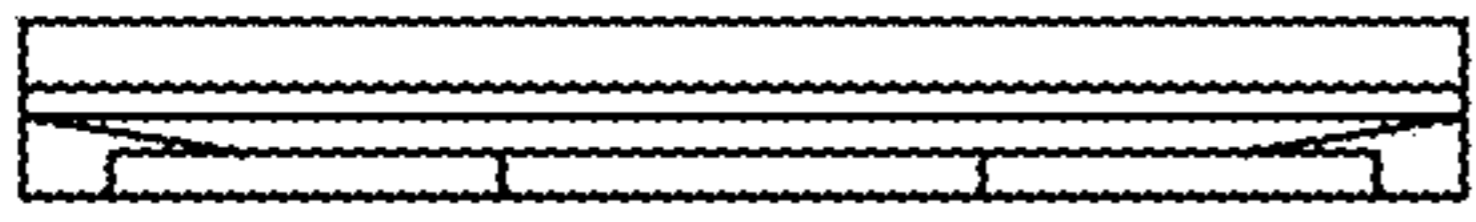


FIG. 5

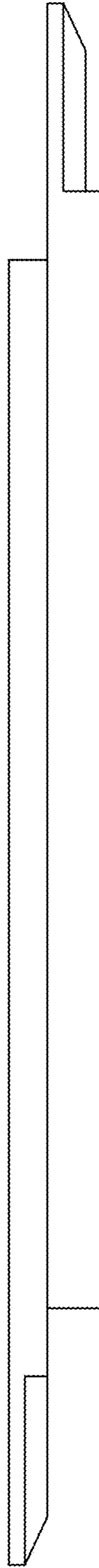


FIG. 6

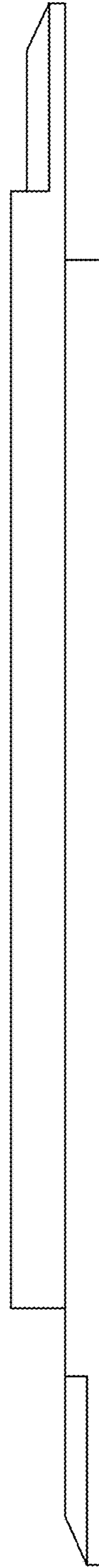


FIG. 7

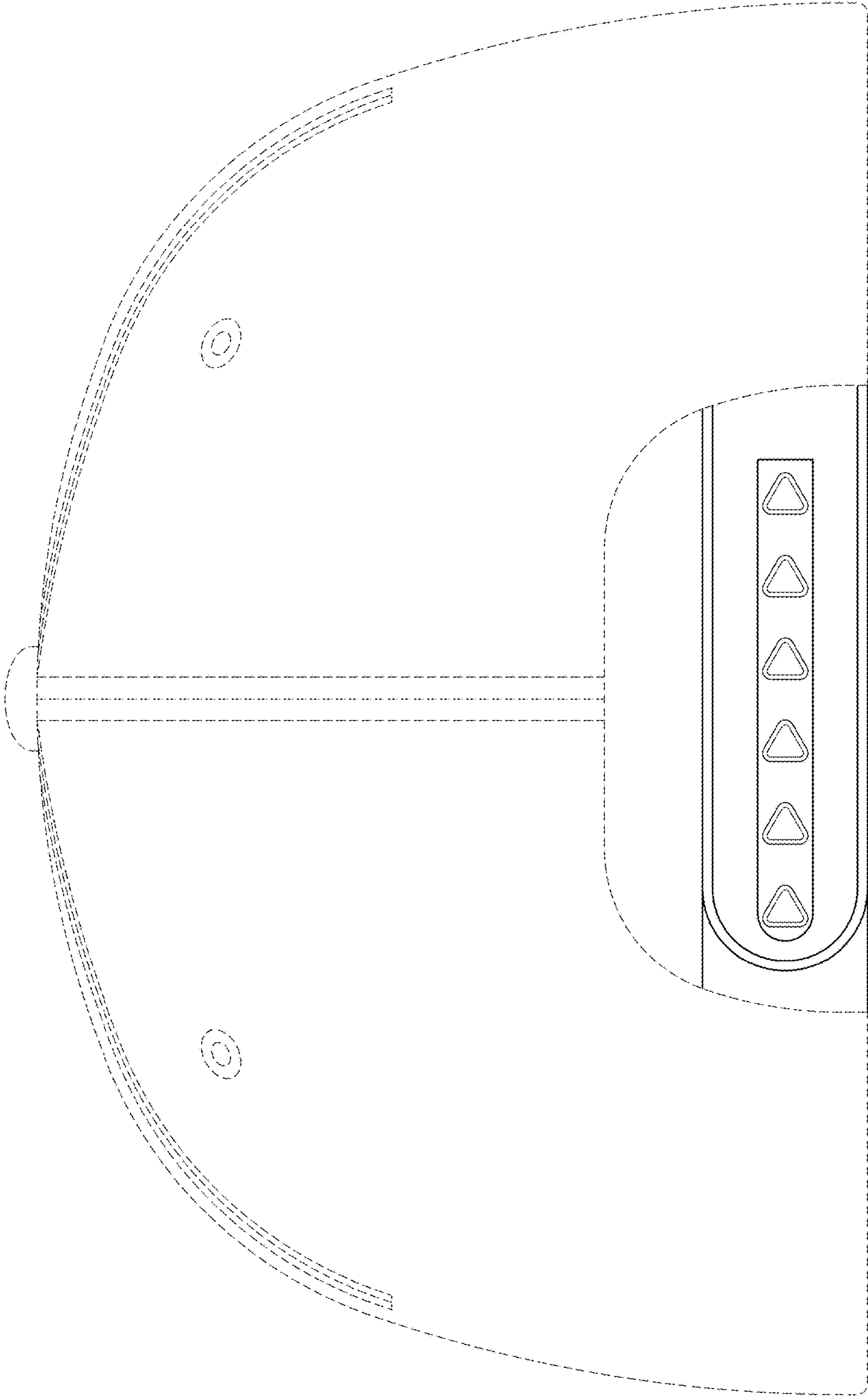


FIG. 8

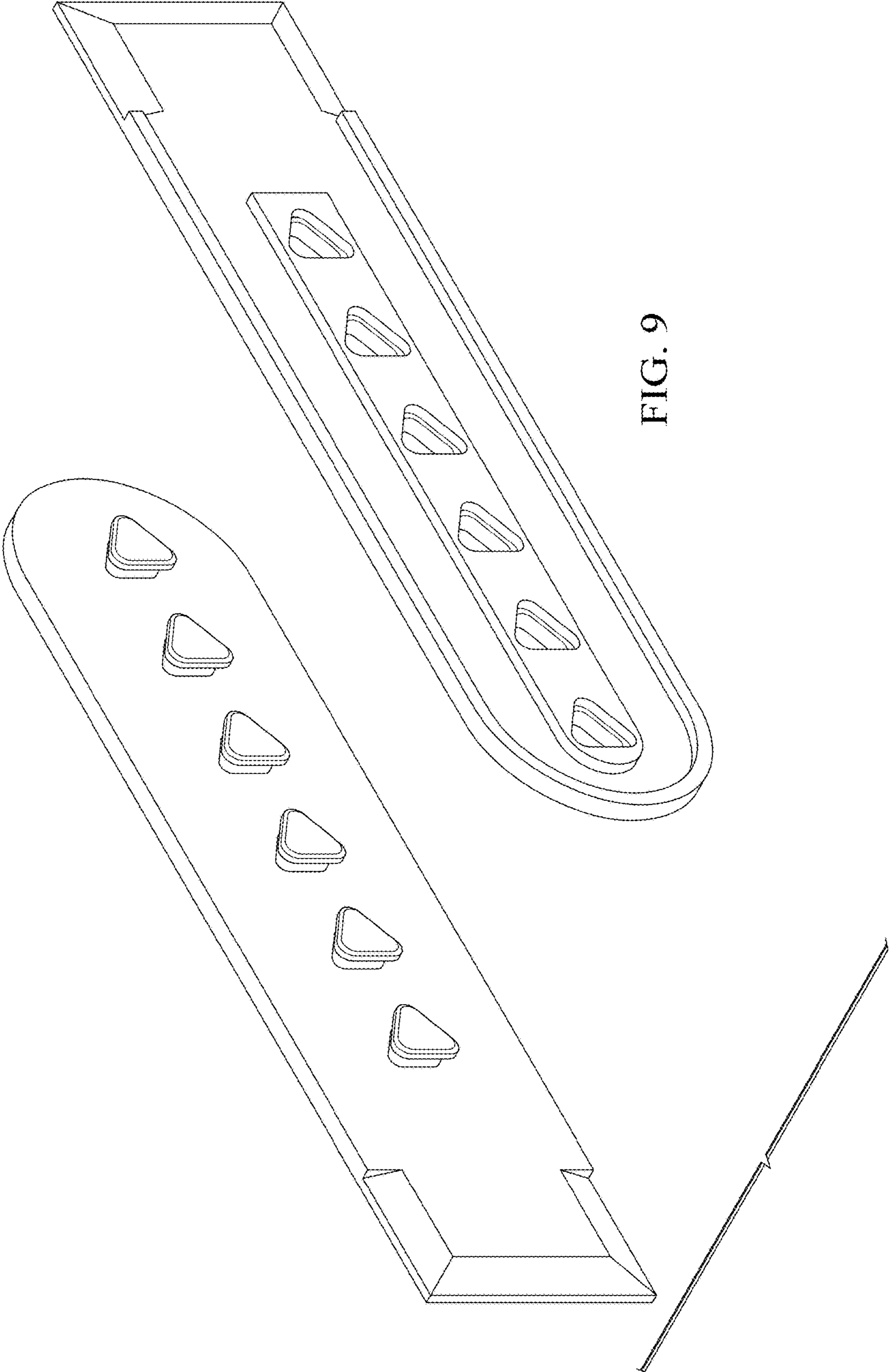


FIG. 9