



US00D771910S

(12) **United States Design Patent**
Herbert

(10) **Patent No.:** **US D771,910 S**
(45) **Date of Patent:** **** Nov. 22, 2016**

- (54) **REVERSIBLE SKIRT**
- (71) Applicant: **Latter Day Sister Missionary LLC**,
Draper, UT (US)
- (72) Inventor: **Laurel Herbert**, Draper, UT (US)
- (**) Term: **14 Years**
- (21) Appl. No.: **29/492,440**
- (22) Filed: **May 30, 2014**
- (51) **LOC (10) Cl.** **02-02**
- (52) **U.S. Cl.**
USPC **D2/851**
- (58) **Field of Classification Search**
USPC 2/69–70, 74, 76, 47, 105–107, 133,
2/211–213, 220, 227–228; D2/857,
D2/712–713, 728, 735, 739, 752, 756, 758,
D2/851, 852, 731, 840, 779
CPC A41B 9/00; A41B 9/002; A41B 9/06;
A41B 9/10; A41B 1/04; A41B 1/06; A41D
1/00; A41D 1/22; A41D 1/18; A41D 15/00;
A41D 15/005; A41D 15/02; A41D 15/002;
A41D 15/04
See application file for complete search history.

(56) **References Cited**

U.S. PATENT DOCUMENTS

2,277,492 A *	3/1942	Kamhi	A41D 15/005	2/221
2,791,779 A	5/1957	Presson		
2,912,698 A	11/1959	Greenblatt		
3,296,628 A	1/1967	Collins		
3,574,237 A	4/1971	Reynolds		
D247,072 S *	1/1978	Morgan	D2/852	
D272,864 S *	3/1984	Skewis	D2/851	
4,662,008 A *	5/1987	Weiser	A41D 15/005	2/211
D300,480 S *	4/1989	Seymore	D2/851	
4,907,298 A *	3/1990	Lisowski	A41D 15/02	2/212

5,029,344 A	7/1991	Shannon et al.		
5,327,586 A	7/1994	Evans et al.		
5,566,393 A	10/1996	Best		
D402,440 S *	12/1998	Marks	D2/851	
D465,639 S *	11/2002	Gildea	D2/851	
8,549,666 B2	10/2013	Gheneva		
2006/0107441 A1	5/2006	Houdroge		
2012/0023643 A1	2/2012	O'Connell		

OTHER PUBLICATIONS

Keepsake Crafts; Topsy-Turvy Doll—Free Pattern and Directions, Part 3; <http://keepsakecrafts.net/blog/2010/11/20/topsy-turvy-doll-free-pattern-and-directions-part-3/>; Nov. 20, 2010; 9 pages; Keepsake Crafts.

(Continued)

Primary Examiner — Abraham Bahta
(74) *Attorney, Agent, or Firm* — Thorpe North & Western, LLP

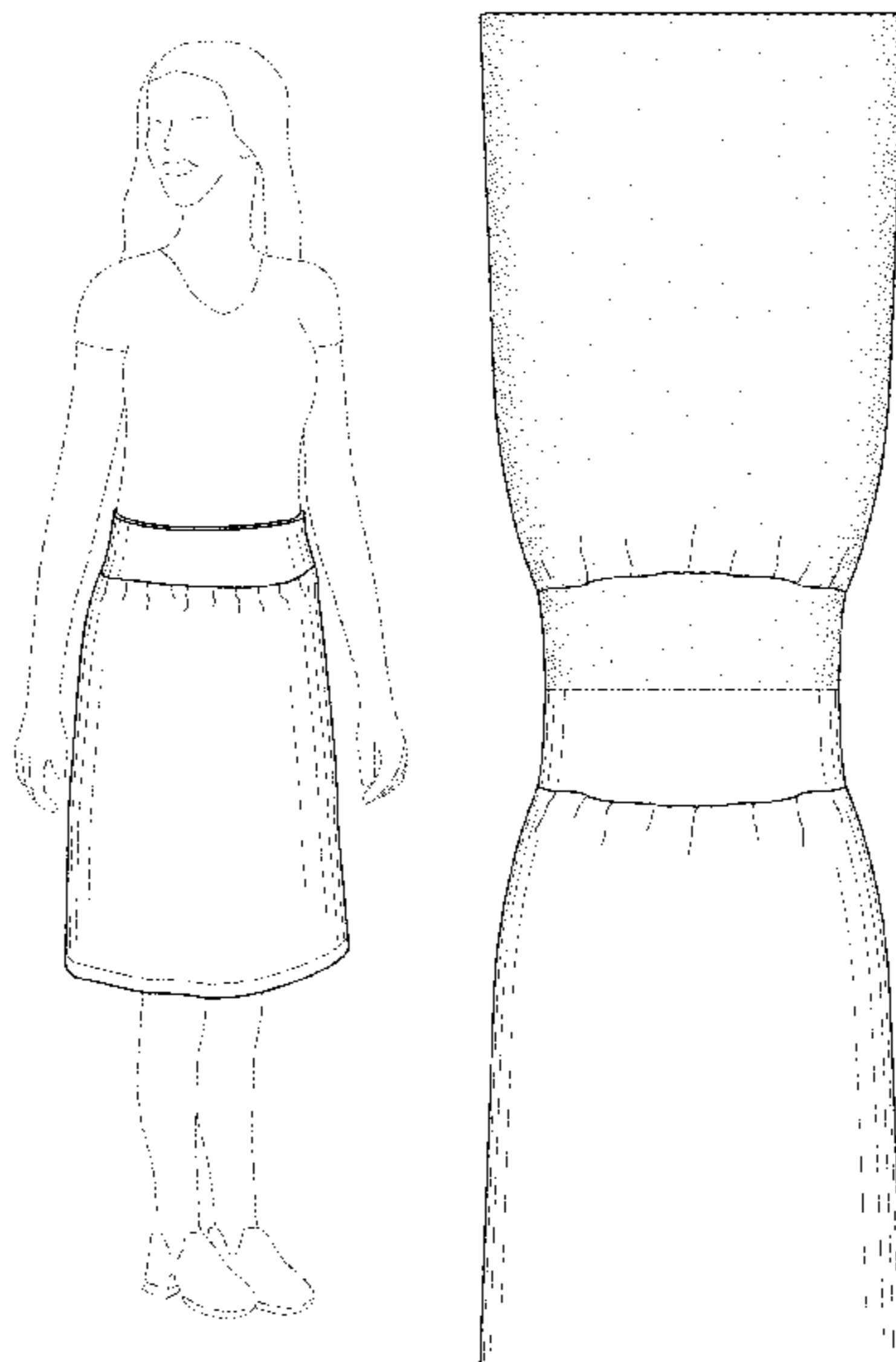
(57) **CLAIM**

The ornamental design for a reversible skirt, as shown and described.

DESCRIPTION

FIG. 1 is a perspective view of the reversible skirt in accordance with my invention;
FIG. 2 is a front view thereof;
FIG. 3 is a back view thereof;
FIG. 4 is a right side view thereof;
FIG. 5 is a left side view thereof;
FIG. 6 is a top view thereof;
FIG. 7 is a bottom view thereof; and,
FIG. 8 is an unfolded view thereof.
The speckled surface indicates difference between inner and outer sides. The broken line showing portions of the skirt is included for the purpose of illustrating environmental structure and forms no part of the claimed design.

1 Claim, 4 Drawing Sheets



(56)

References Cited

OTHER PUBLICATIONS

Rajrang; Umbrella Cut Reversible Two Layer Silk Sari Beach Saron Wrap Around Skirt; <http://www.amazon.com/Umbrella-Reversible-Layer-Beach-Around/dp/B005NHBKAO> ; accessed online May 19, 2014; 3 pages; Amazon.com Inc.

Tasifashion; Reversible Layered Skirt, Asymmetric Knee Length Skirt in Black and Blue, made to measure; <https://www.etsy.com/listing/57565656/reversible-layered-skirt-asymmetric-knee?ref=market> ; accessed online May 19, 2014; 3 pages; Esty Inc. Tiffany Bird; Reversible Skirt Tutorial; Simply Modern Mom; May 12, 2010; 15 pages; <http://www.simplymodernmom.com/2010/05/tutorial-reversible-skirt/>.

* cited by examiner

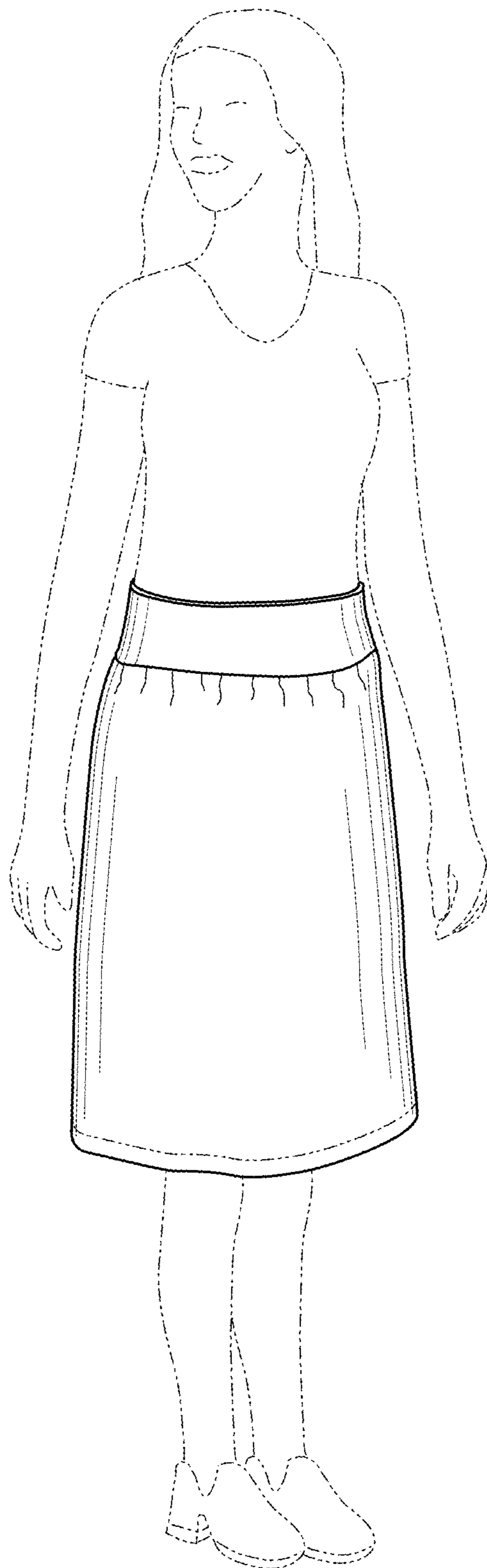


FIG. 1

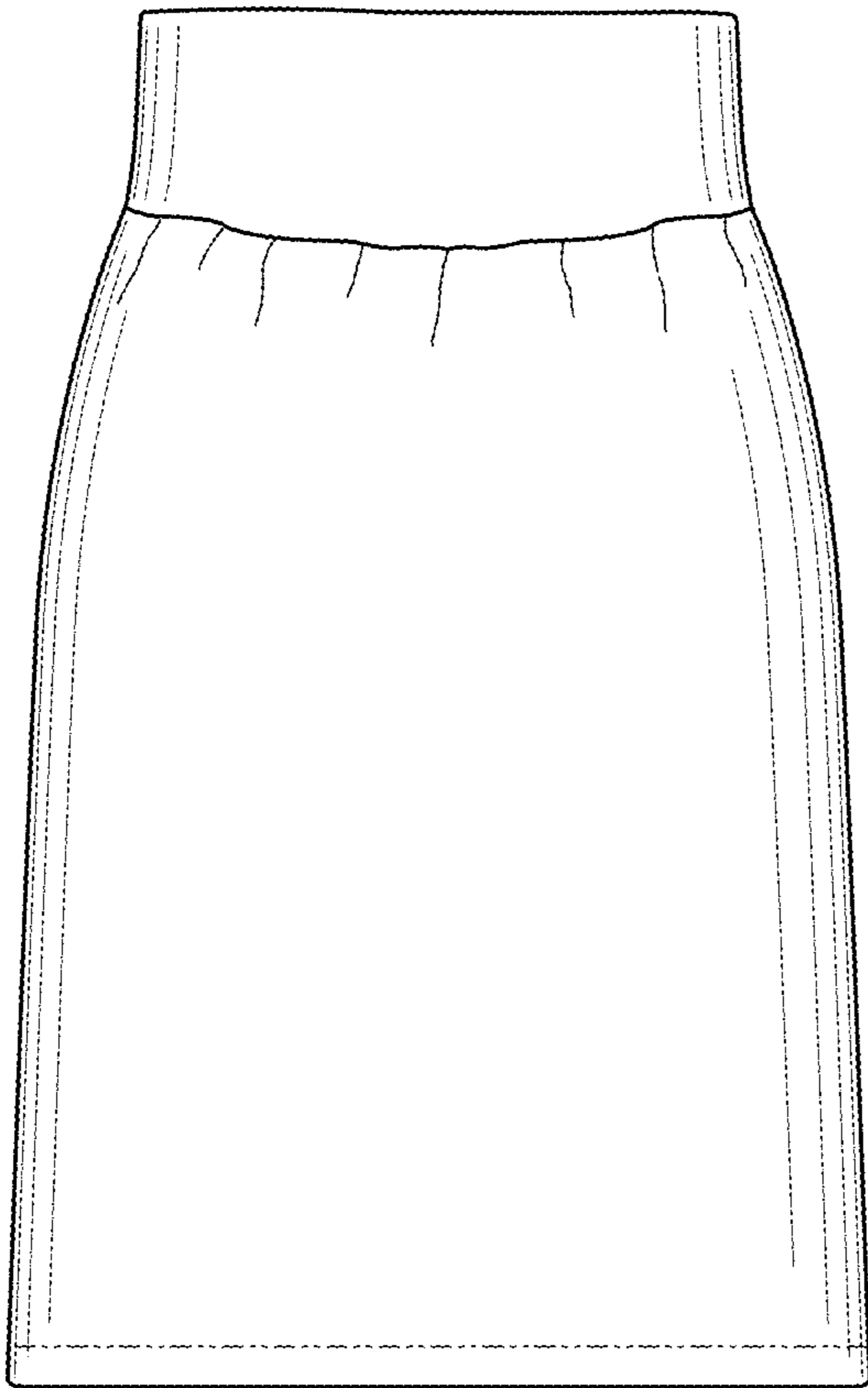


FIG. 2

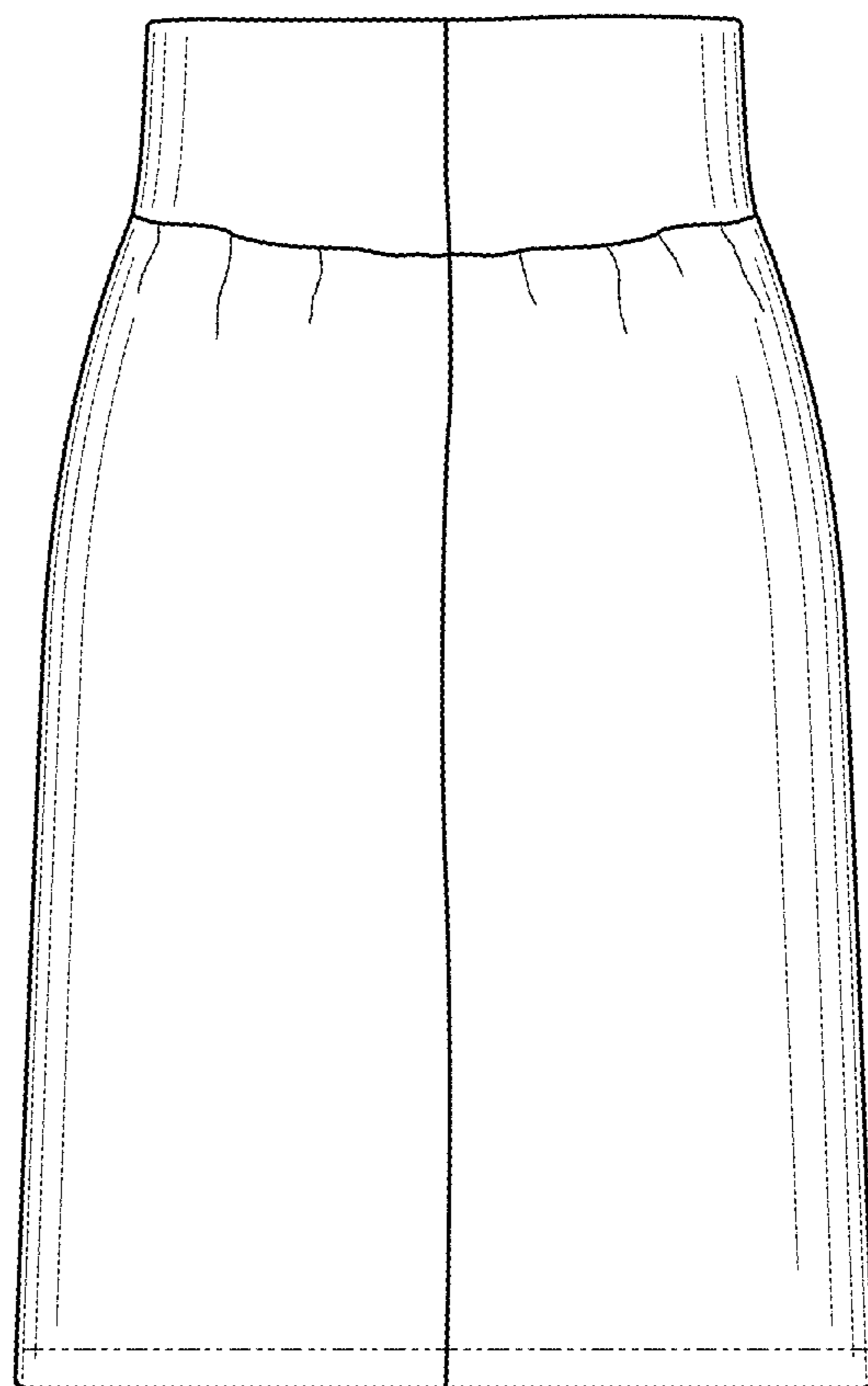


FIG. 3

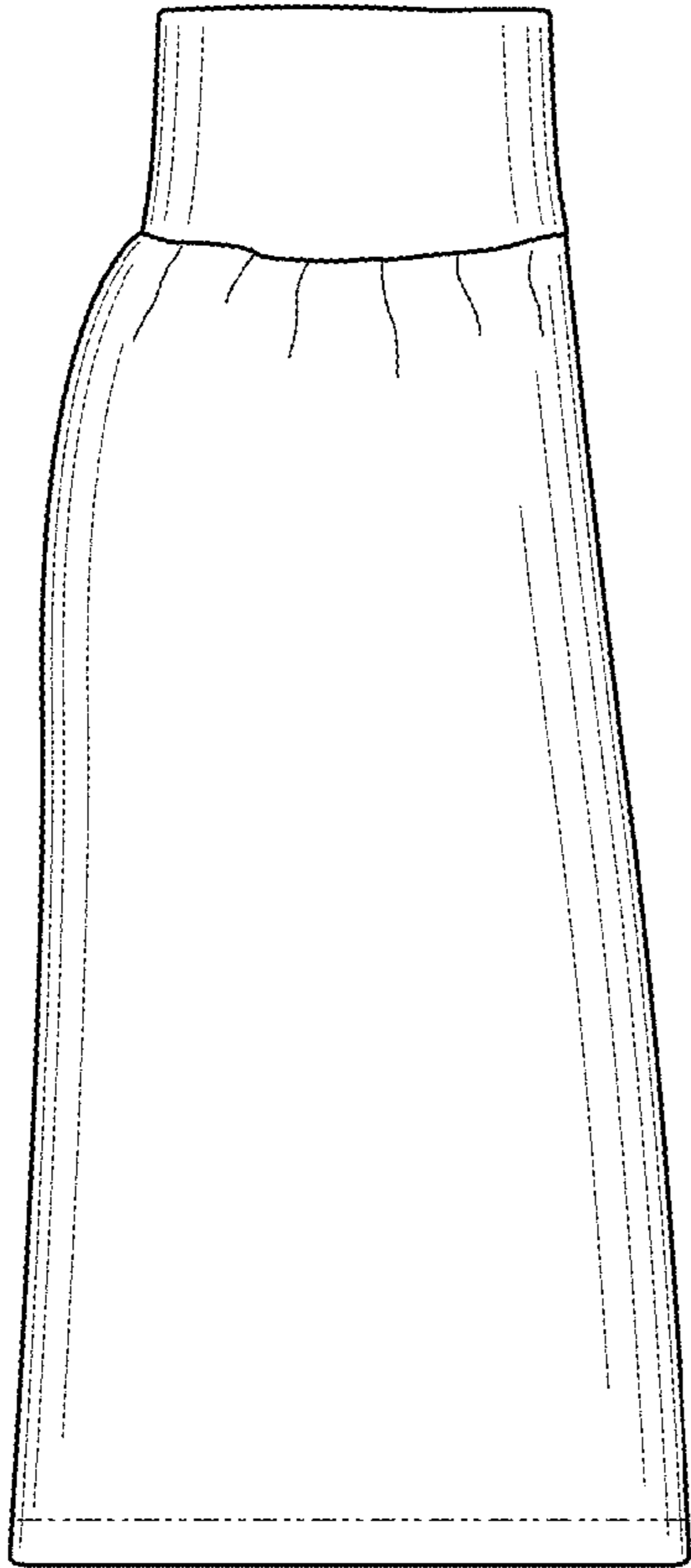


FIG. 4

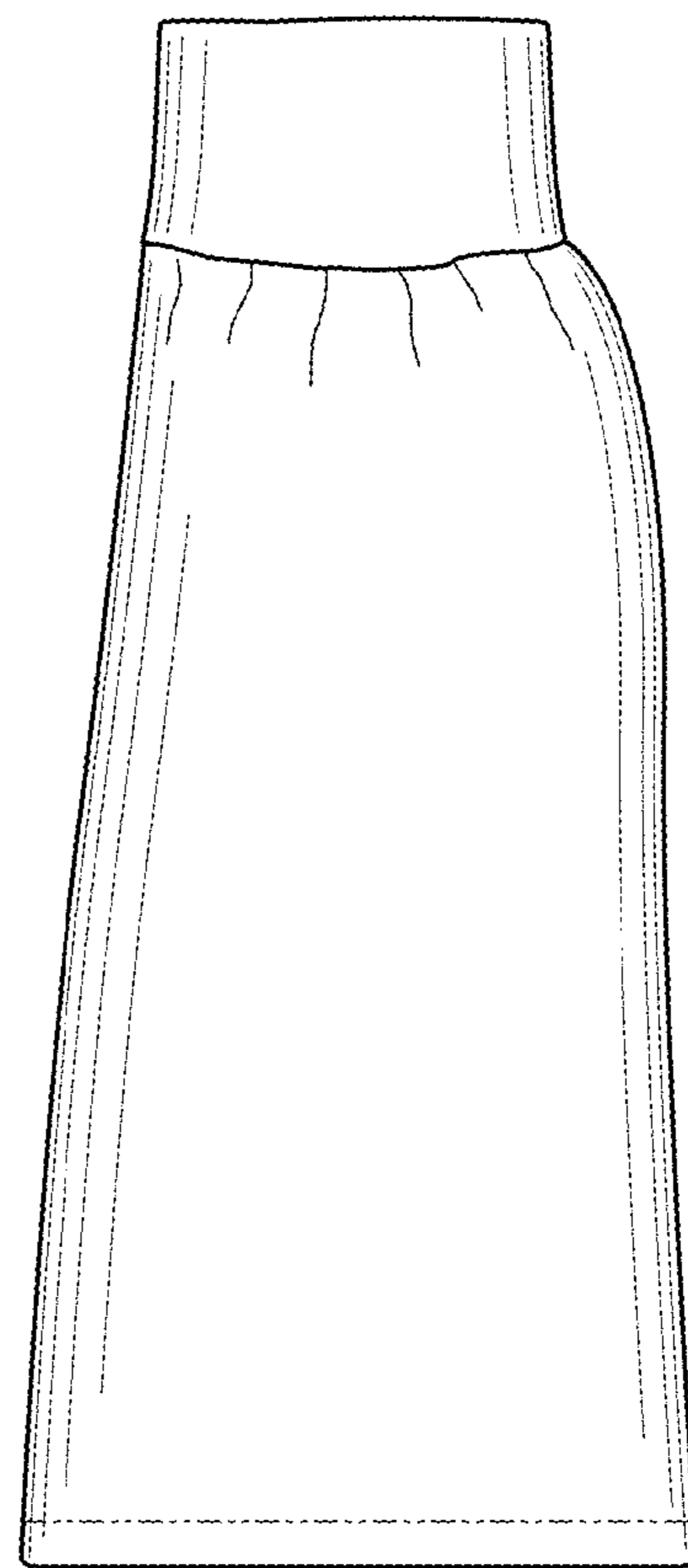


FIG. 5

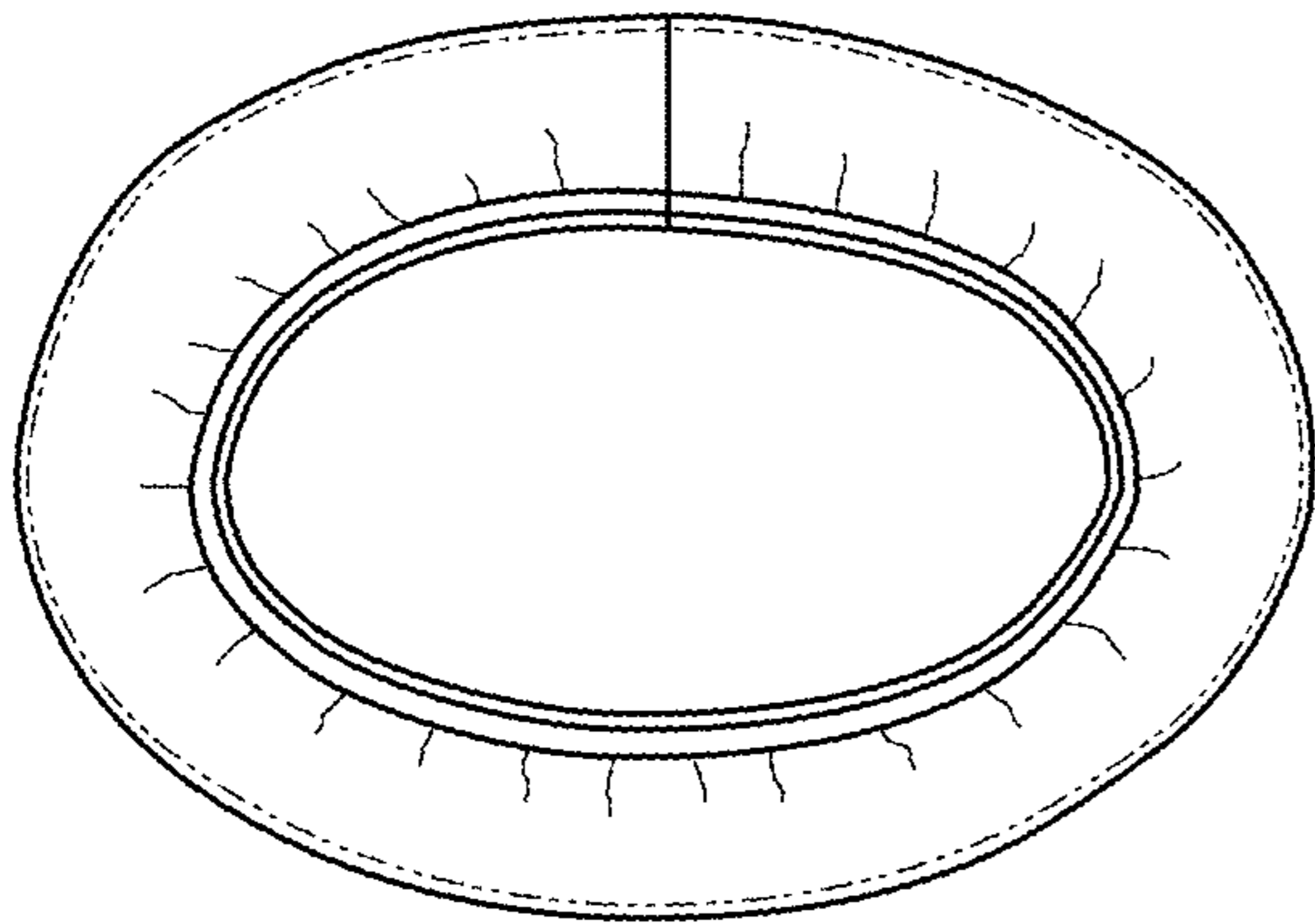


FIG. 6

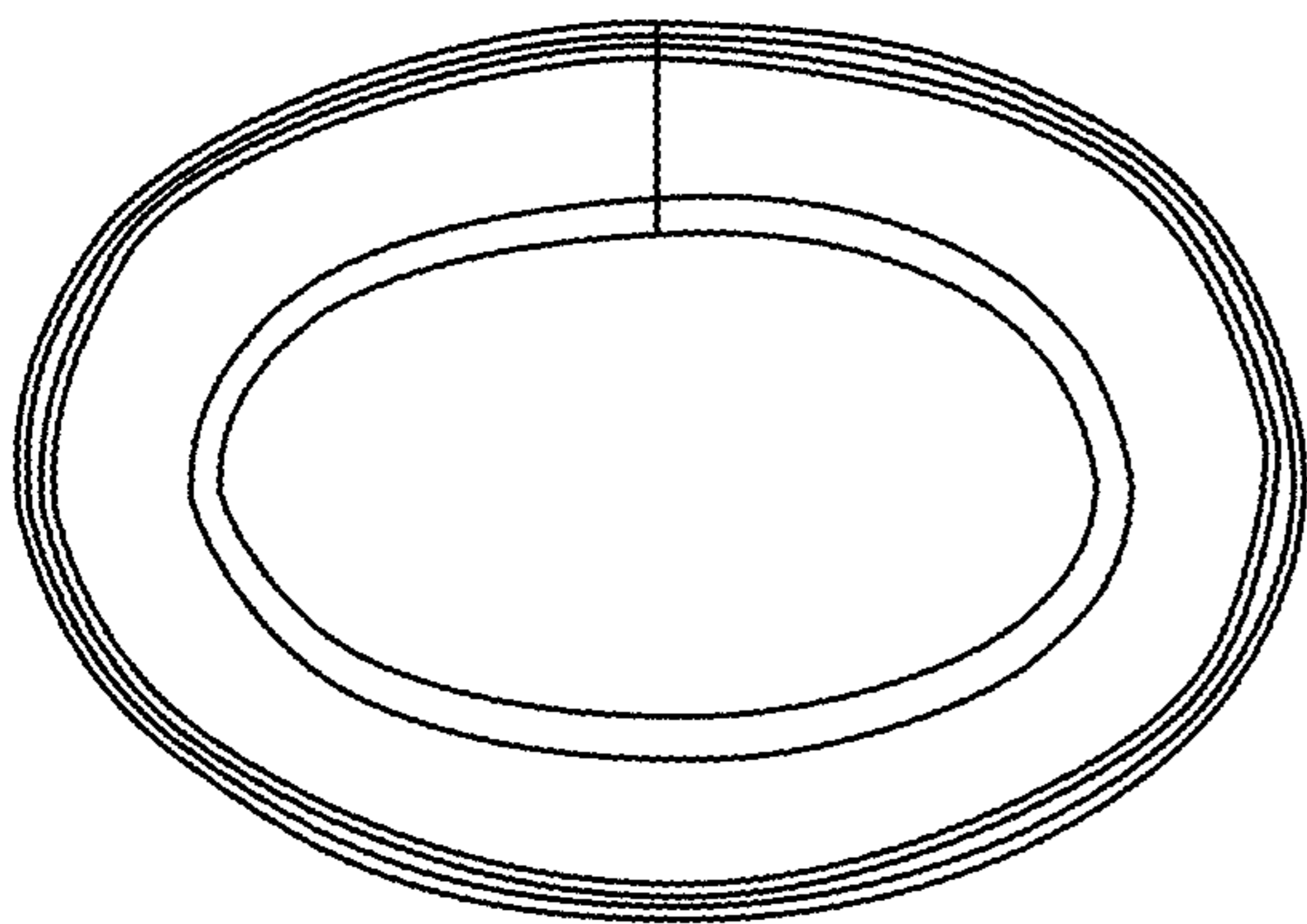


FIG. 7

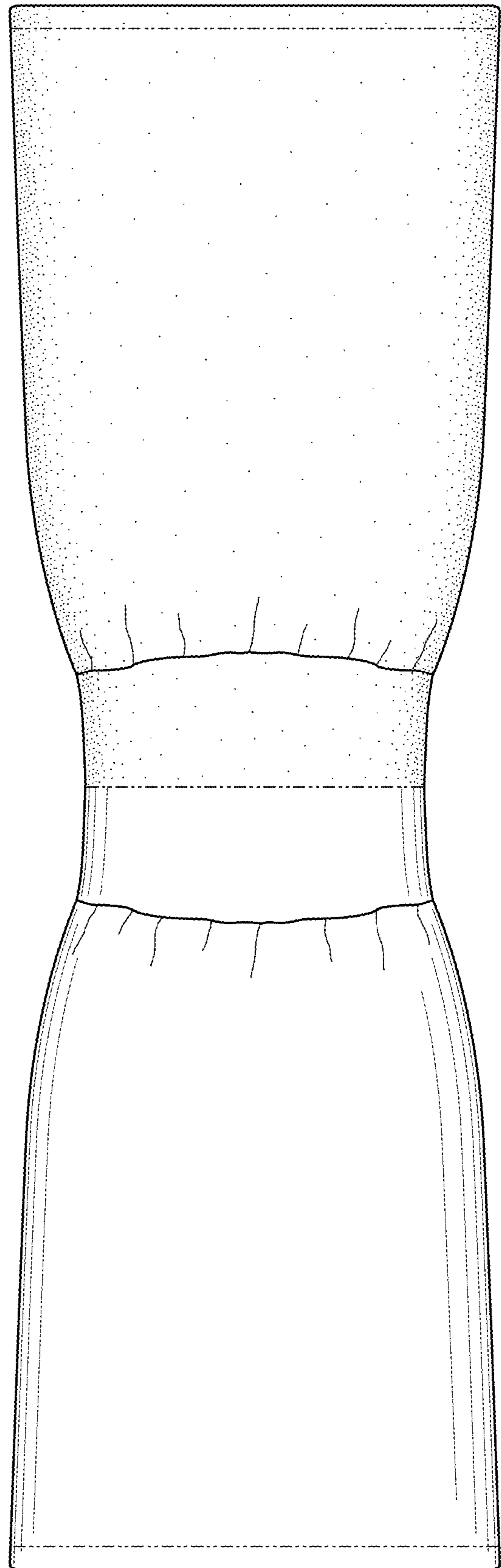


FIG. 8